

注記
NOTES

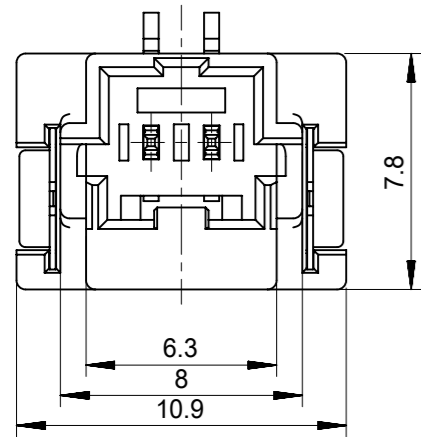
- 材質
ウエハー: 耐熱性ナイロン UL94V-0
ピン: 銅合金、ニッケル下地、錫メッキ、金メッキ
フィッティングネール: 銅合金、ニッケル下地、錫メッキ
MATERIAL
WAFER: POLYAMIDE UL94V-0
PIN: COPPER ALLOY, GOLD OR TIN OVER NICKEL PLATE.
FINNTING NAIL: COPPER ALLOY, TIN OVER NICKEL PLATE.
- 色: ナチュラル、黒、赤、青
COLOR: NATURAL, BLACK, RED, BLUE
- 嵌合相手:
ハウジング: 502351-**0*
錫メッキ端子: 50212-8*00, 50372-8*00, 560085-0101
金メッキ端子: 56161-8*81
MATES WITH
HOUSING: 502351-**0*
SN PLATING TERMINAL: 50212-8*00, 50372-8*00, 560085-0101
AU PLATING TERMINAL: 56161-8*81

- インボス梱包品の詳細はSD-560020-002参照
DETAILED TAPING PACKAGE, SEE SD-560020-002
- 半田付け面のコプラナリティ: 0.1mm MAX.
CO-PLANARITY OF SOLDER TAILS TO BE 0.1mm MAX.
- 一般公差
GENERAL TOLERANCES
10 UNDER: ±0.2
10 OVER 30 UNDER: ±0.25
30 OVER: ±0.3
ANGULAR: ±1°

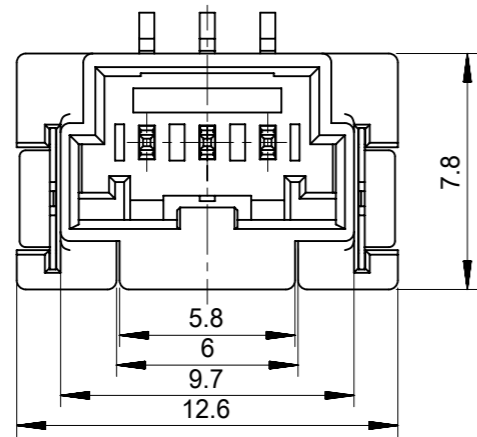
INITIAL REVISION:

DRWN	SHSHIBATA	2009/02/18
CHECK	HKOMATSU	2009/02/18
APPR	AKANESHIGE	2009/02/18

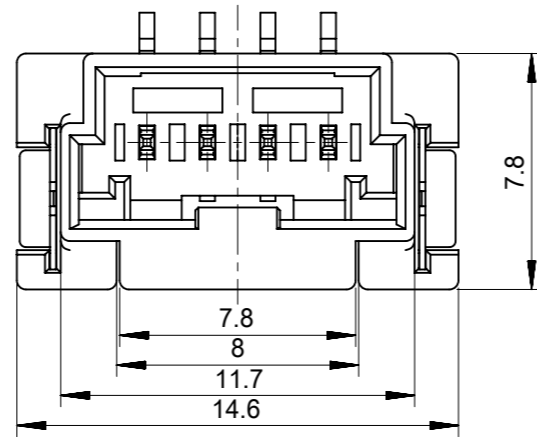
FUNCTIONAL SYMBOLS		THIS DRAWING CONTAINS INFORMATION THAT IS PROPRIETARY TO MOLEX ELECTRONIC TECHNOLOGIES, LLC AND SHOULD NOT BE USED WITHOUT WRITTEN PERMISSION		CURRENT REV DESC:	
$\nabla_A = 0$	mm	SCALE	5:1		
$\nabla_F = 0$	GENERAL TOLERANCES (UNLESS SPECIFIED)				
$\nabla_P = 0$			MM	INCH	
DIVISIONAL SYMBOLS	4 PLACES	±			
	3 PLACES	±			
	2 PLACES	±			
	1 PLACE	±			
	0 PLACES	±			
	ANGULAR TOL	±	°		
DRAFT WHERE APPLICABLE MUST REMAIN WITHIN DIMENSIONS		THIRD ANGLE PROJECTION		DRAWING	SERIES
		A3-SIZE		560020	
DOCUMENT NUMBER		DOC TYPE		DOC PART	REVISION
SD-560020-001		PSD		001	K
MATERIAL NUMBER		CUSTOMER		SHEET NUMBER	
560020		GENERAL MARKET		1 OF 4	



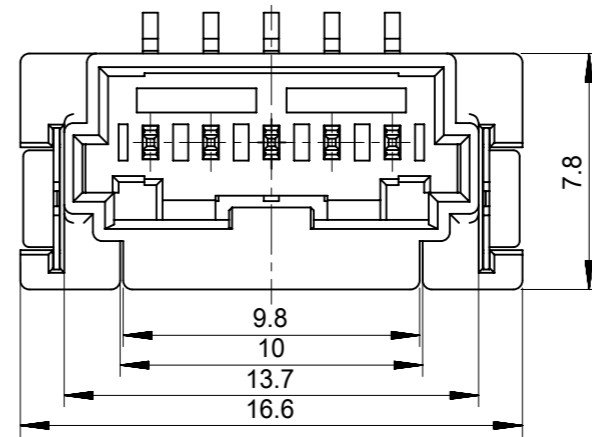
2CKTS



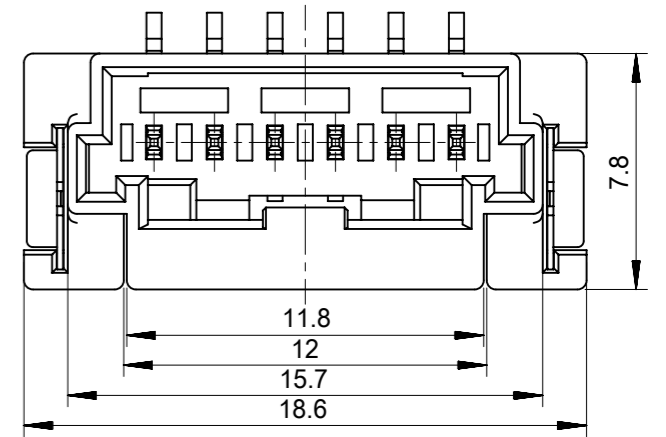
3CKTS



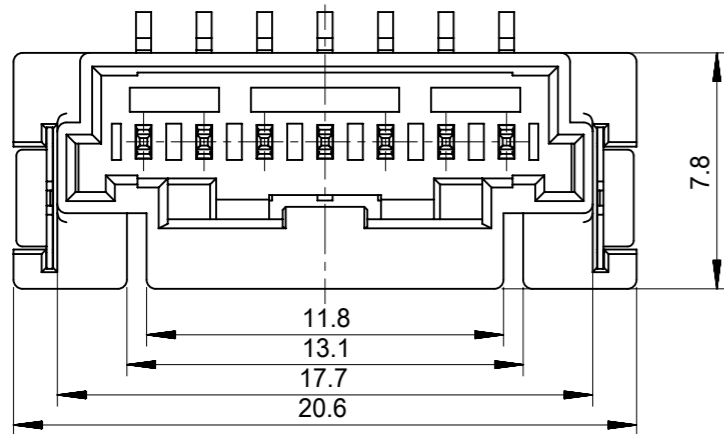
4CKTS



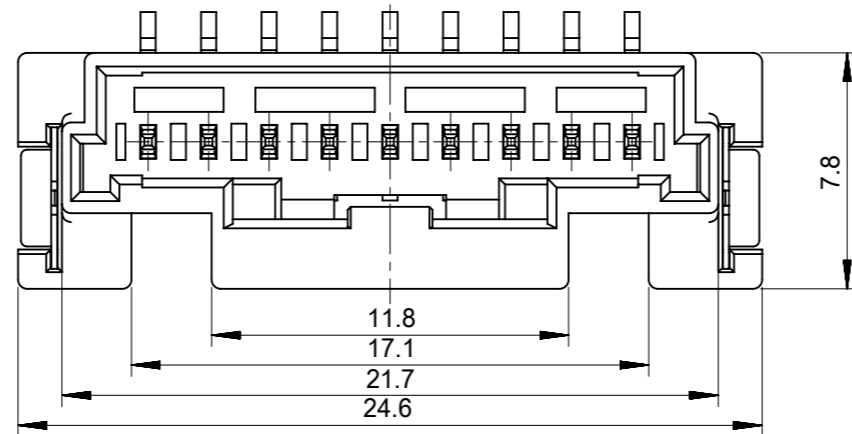
5CKTS



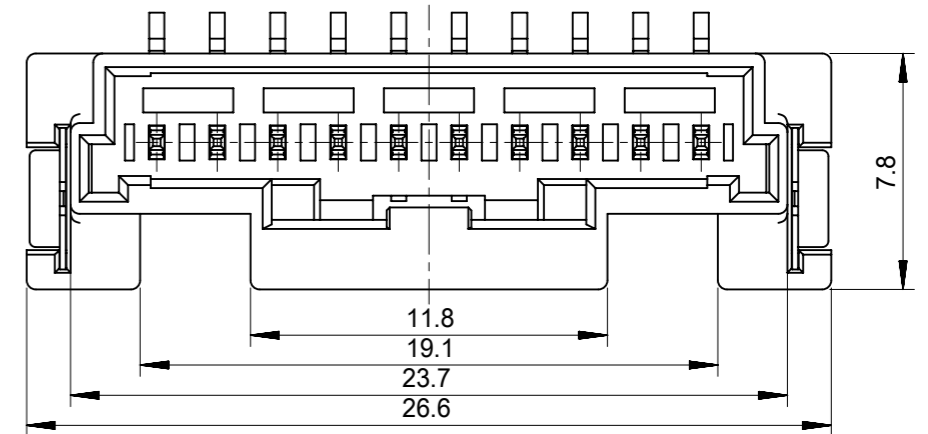
6CKTS



7CKTS



9CKTS



10CKTS

FUNCTIONAL SYMBOLS FA = 0 FB = 0 FC = 0	THIS DRAWING CONTAINS INFORMATION THAT IS PROPRIETARY TO MOLEX ELECTRONIC TECHNOLOGIES, LLC AND SHOULD NOT BE USED WITHOUT WRITTEN PERMISSION		CURRENT REV DESC:	
	DIMENSION UNITS mm	SCALE 4:1	EC NO: 635305	
DIVISIONAL SYMBOLS	GENERAL TOLERANCES (UNLESS SPECIFIED)		DRWN: MUNEMOTO 2020/04/02	
	4 PLACES ±	MM INCH	CHK'D: HIJIMA 2020/04/03	
	3 PLACES ±		APPR: TOSADA 2020/04/06	
	2 PLACES ±		INITIAL REVISION:	
	1 PLACE ±		DRWN: DRAWN BY 0099/99/99	
	0 PLACES ±		APPR: APPR BY 0099/99/99	
	ANGULAR TOL ± °		THIRD ANGLE PROJECTION	
	DRAFT WHERE APPLICABLE MUST REMAIN WITHIN DIMENSIONS		DRAWING A3-SIZE	SHEET NUMBER 2 OF 4

molex

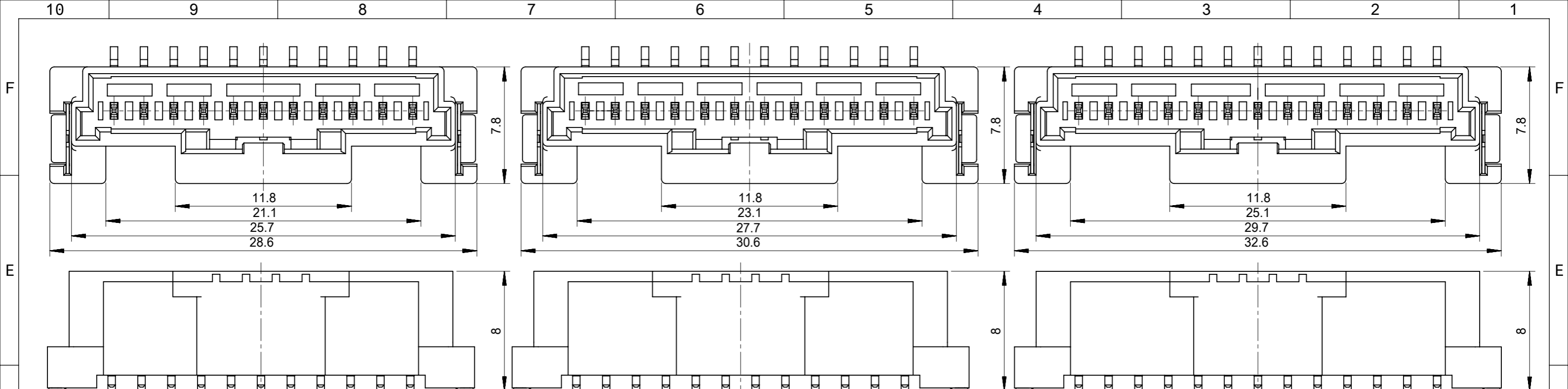
2.0MM PITCH W/B CONN.
WAFER ASSY ST. SMT

PRODUCT CUSTOMER DRAWING

DOCUMENT NUMBER: SD-560020-001 | DOC TYPE: PSD | DOC PART: 001 | REVISION: K

MATERIAL NUMBER: 560020 | CUSTOMER: GENERAL MARKET

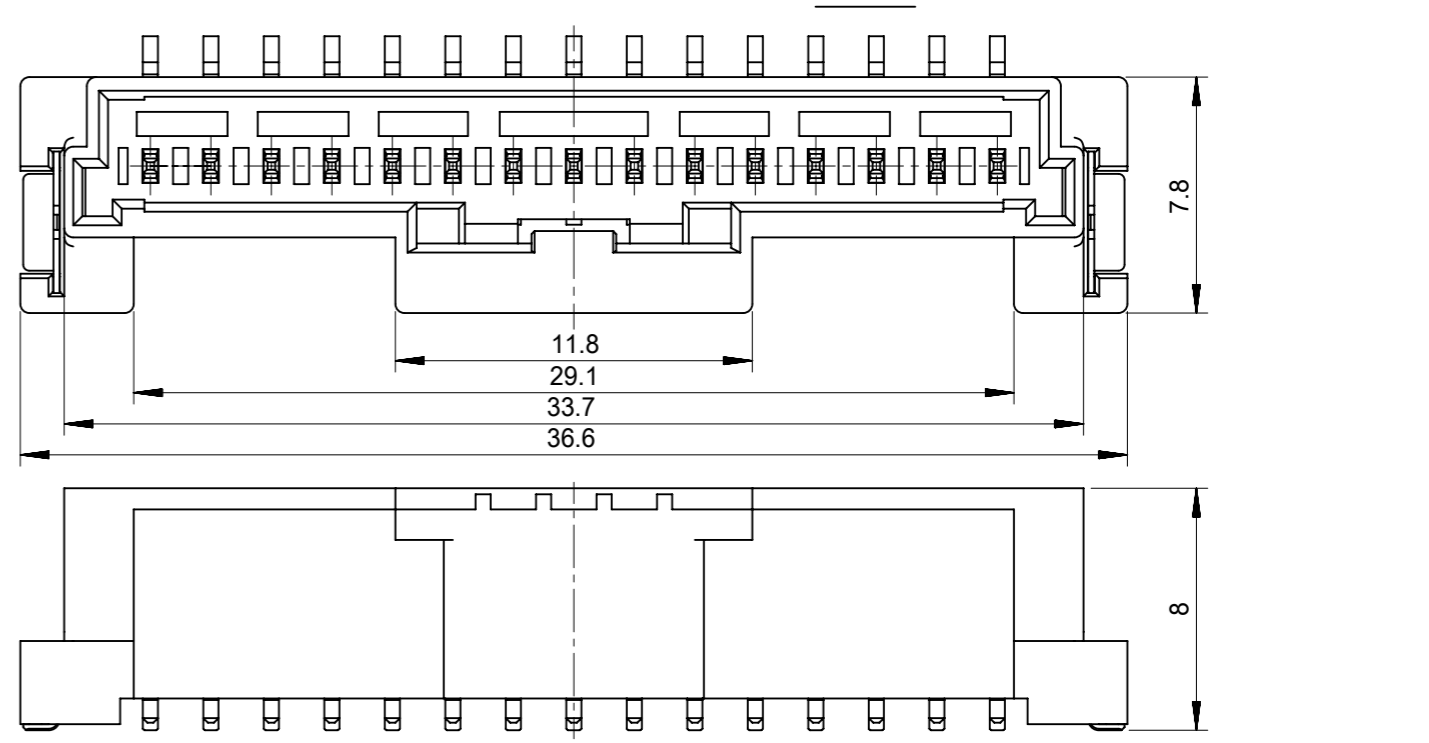
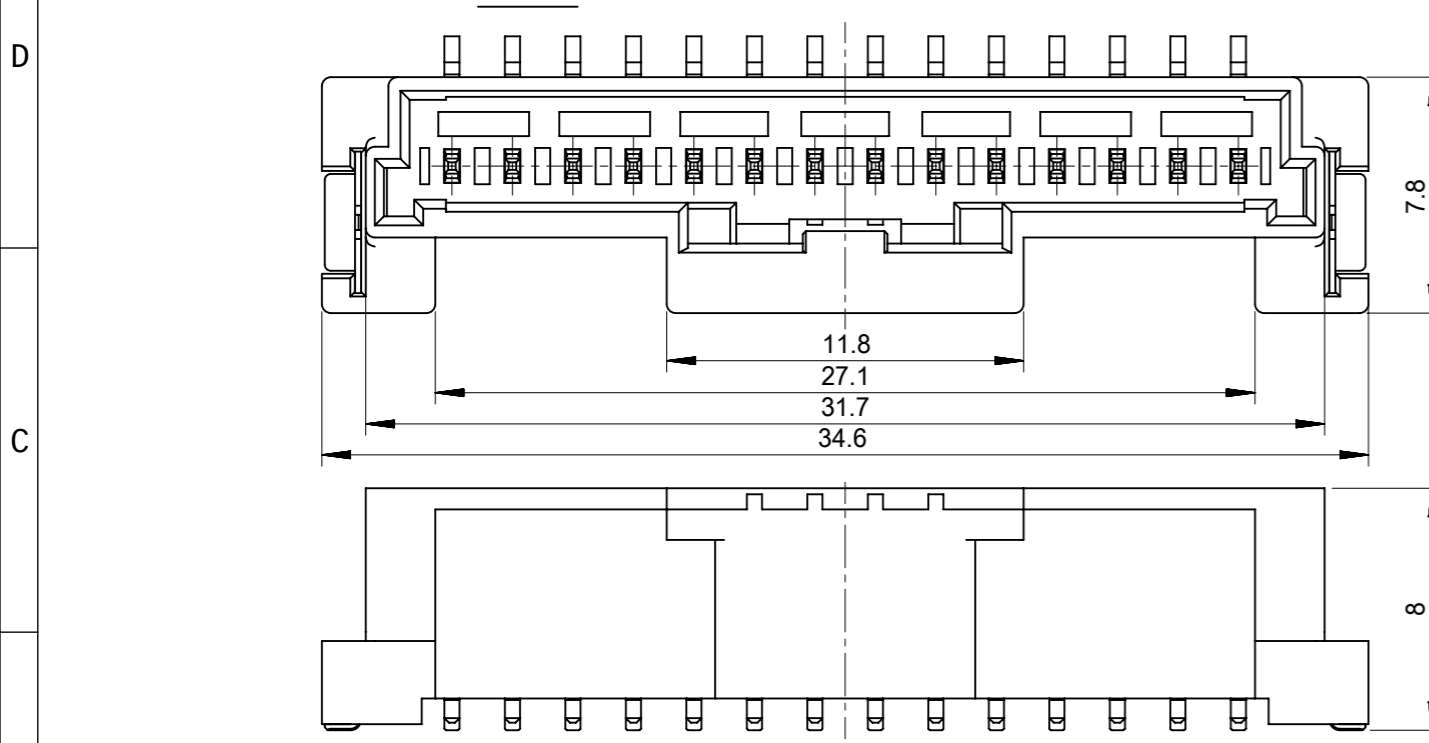
INITIAL REVISION:
 DRWN SHSHIBATA 2009/02/18
 CHECK HKOMATSU 2009/02/18
 APPR AKANESHIGE 2009/02/18



11CKTS

12CKTS

13CKTS



14CKTS

15CKTS

INITIAL REVISION:
 DRWN SHSHIBATA 2009/02/18
 CHECK HKOMATSU 2009/02/18
 APPR AKANESHIGE 2009/02/18

FUNCTIONAL SYMBOLS $\nabla_A = 0$ $\nabla_F = 0$ $\nabla_P = 0$ DIVISIONAL SYMBOLS	THIS DRAWING CONTAINS INFORMATION THAT IS PROPRIETARY TO MOLEX ELECTRONIC TECHNOLOGIES, LLC AND SHOULD NOT BE USED WITHOUT WRITTEN PERMISSION		SCALE 4:1		CURRENT REV DESC:																		
	DIMENSION UNITS mm		GENERAL TOLERANCES (UNLESS SPECIFIED)		EC NO: 635305 DRWN: MUNEMOTO 2020/04/02 CHK'D: HIJIMA 2020/04/03 APPR: TOSADA 2020/04/06																		
	<table border="1"> <thead> <tr> <th></th> <th>MM</th> <th>INCH</th> </tr> </thead> <tbody> <tr> <td>4 PLACES</td> <td>±</td> <td>±</td> </tr> <tr> <td>3 PLACES</td> <td>±</td> <td>±</td> </tr> <tr> <td>2 PLACES</td> <td>±</td> <td>±</td> </tr> <tr> <td>1 PLACE</td> <td>±</td> <td>±</td> </tr> <tr> <td>0 PLACES</td> <td>±</td> <td>±</td> </tr> </tbody> </table>			MM	INCH	4 PLACES	±	±	3 PLACES	±	±	2 PLACES	±	±	1 PLACE	±	±	0 PLACES	±	±	DRAFT WHERE APPLICABLE MUST REMAIN WITHIN DIMENSIONS		THIRD ANGLE PROJECTION
	MM	INCH																					
4 PLACES	±	±																					
3 PLACES	±	±																					
2 PLACES	±	±																					
1 PLACE	±	±																					
0 PLACES	±	±																					

molex		
2.0MM PITCH W/B CONN. WAFER ASSY ST. SMT		
PRODUCT CUSTOMER DRAWING		
DOCUMENT NUMBER SD-560020-001	DOC TYPE PSD	DOC PART 001
REVISION K	SHEET NUMBER 3 OF 4	

Sn NATURAL	11.8	29.1	33.7	36.6	560020-1520	15
	11.8	27.1	31.7	34.6	560020-1420	14
	11.8	25.1	29.7	32.6	560020-1320	13
	11.8	23.1	27.7	30.6	560020-1220	12
	11.8	21.1	25.7	28.6	560020-1120	11
	11.8	19.1	23.7	26.6	560020-1020	10
	11.8	17.1	21.7	24.6	560020-0920	9
	11.8	15.1	19.7	22.6	560020-0820	8
	11.8	13.1	17.7	20.6	560020-0720	7
	11.8	12	15.7	18.6	560020-0620	6
	9.8	10	13.7	16.6	560020-0520	5
	7.8	8	11.7	14.6	560020-0420	4
	5.8	6	9.7	12.6	560020-0320	3
	6.3	/	8.0	10.9	560020-0220	2
PLATING COLOR	D	C	B	A	EMBOSSED PACKAGE ORDER NO.	CKTS
CONNECTOR SERIES NO. 560020-**08						

Au NATURAL	11.8	29.1	33.7	36.6	560020-1530	15
	11.8	27.1	31.7	34.6	560020-1430	14
	11.8	25.1	29.7	32.6	560020-1330	13
	11.8	23.1	27.7	30.6	560020-1230	12
	11.8	21.1	25.7	28.6	560020-1130	11
	11.8	19.1	23.7	26.6	560020-1030	10
	11.8	17.1	21.7	24.6	560020-0930	9
	11.8	15.1	19.7	22.6	560020-0830	8
	11.8	13.1	17.7	20.6	560020-0730	7
	11.8	12	15.7	18.6	560020-0630	6
	9.8	10	13.7	16.6	560020-0530	5
	7.8	8	11.7	14.6	560020-0430	4
	5.8	6	9.7	12.6	560020-0330	3
	6.3	/	8.0	10.9	560020-0230	2
PLATING COLOR	D	C	B	A	EMBOSSED PACKAGE ORDER NO.	CKTS
CONNECTOR SERIES NO. 560020-**18						

Sn BLACK	11.8	29.1	33.7	36.6	560020-1521	15
	11.8	27.1	31.7	34.6	560020-1421	14
	11.8	25.1	29.7	32.6	560020-1321	13
	11.8	23.1	27.7	30.6	560020-1221	12
	11.8	21.1	25.7	28.6	560020-1121	11
	11.8	19.1	23.7	26.6	560020-1021	10
	11.8	17.1	21.7	24.6	560020-0921	9
	11.8	15.1	19.7	22.6	560020-0821	8
	11.8	13.1	17.7	20.6	560020-0721	7
	11.8	12	15.7	18.6	560020-0621	6
	9.8	10	13.7	16.6	560020-0521	5
	7.8	8	11.7	14.6	560020-0421	4
	5.8	6	9.7	12.6	560020-0321	3
	6.3	/	8.0	10.9	560020-0221	2
PLATING COLOR	D	C	B	A	EMBOSSED PACKAGE ORDER NO.	CKTS
CONNECTOR SERIES NO. 560020-**28						

Sn RED	/	/	/	/	/	15
	/	/	/	/	/	14
	/	/	/	/	/	13
	/	/	/	/	/	12
	/	/	/	/	/	11
	/	/	/	/	/	10
	/	/	/	/	/	9
	11.8	15.1	19.7	22.6	560020-0822	8
	/	/	/	/	/	7
	11.8	12	15.7	18.6	560020-0622	6
	/	/	/	/	/	5
	7.8	8	11.7	14.6	560020-0422	4
	5.8	6	9.7	12.6	560020-0322	3
	6.3	/	8.0	10.9	560020-0222	2
PLATING COLOR	D	C	B	A	EMBOSSED PACKAGE ORDER NO.	CKTS
CONNECTOR SERIES NO. 560020-**48						

Sn BLUE	/	/	/	/	/	15
	/	/	/	/	/	14
	/	/	/	/	/	13
	/	/	/	/	/	12
	/	/	/	/	/	11
	/	/	/	/	/	10
	/	/	/	/	/	9
	11.8	15.1	19.7	22.6	560020-0823	8
	/	/	/	/	/	7
	11.8	12	15.7	18.6	560020-0623	6
	/	/	/	/	/	5
	7.8	8	11.7	14.6	560020-0423	4
	5.8	6	9.7	12.6	560020-0323	3
	6.3	/	8.0	10.9	560020-0223	2
PLATING COLOR	D	C	B	A	EMBOSSED PACKAGE ORDER NO.	CKTS
CONNECTOR SERIES NO. 560020-**68						

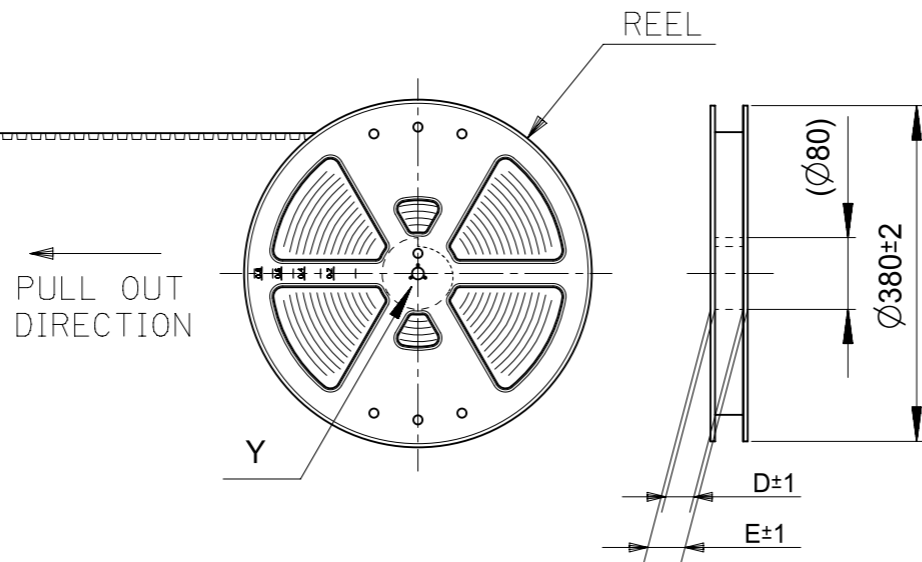
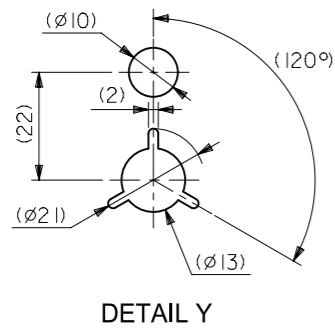
INITIAL REVISION:
 DRWN SHSHIBATA 2009/02/18
 CHECK HKOMATSU 2009/02/18
 APPR AKANESHIGE 2009/02/18

FUNCTIONAL SYMBOLS		THIS DRAWING CONTAINS INFORMATION THAT IS PROPRIETARY TO MOLEX ELECTRONIC TECHNOLOGIES, LLC AND SHOULD NOT BE USED WITHOUT WRITTEN PERMISSION	
FA=0	mm	SCALE 1:1	CURRENT REV DESC:
FE=0	GENERAL TOLERANCES (UNLESS SPECIFIED)		
FP=0	MM INCH		
DIVISIONAL SYMBOLS		4 PLACES ±	EC NO: 635305
		3 PLACES ±	DRWN: MUNEMOTO 2020/04/02
		2 PLACES ±	CHK'D: HIJIMA 2020/04/03
		1 PLACE ±	APPR: TOSADA 2020/04/06
		0 PLACES ±	INITIAL REVISION:
		ANGULAR TOL ± °	DRWN: DRAWN BY 0099/99/99
DRAFT WHERE APPLICABLE MUST REMAIN WITHIN DIMENSIONS		THIRD ANGLE PROJECTION	APPR: APPR BY 0099/99/99
		DRAWING A3-SIZE	SERIES 560020
		MATERIAL NUMBER	CUSTOMER GENERAL MARKET
		DOCUMENT NUMBER SD-560020-001	DOC TYPE PSD
		DOC PART 001	REVISION K
		SHEET NUMBER 4 OF 4	



2.0MM PITCH W/B CONN.
 WAFER ASSY ST. SMT

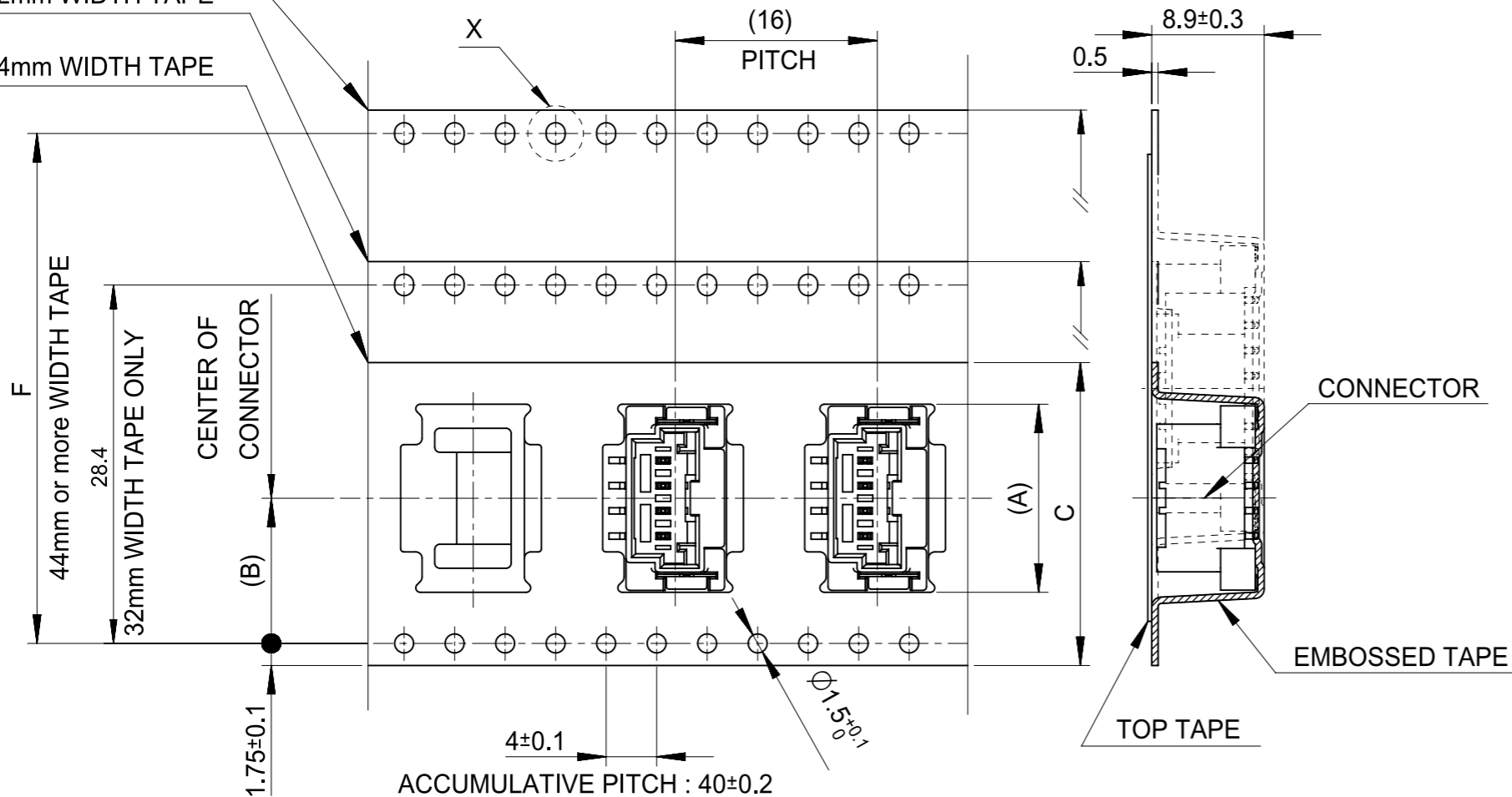
PRODUCT CUSTOMER DRAWING



44mm or more
WIDTH TAPE

32mm WIDTH TAPE

24mm WIDTH TAPE



CENTER OF
CONNECTOR

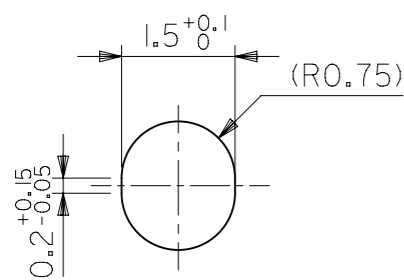
(B)

1.75±0.1

ACCUMULATIVE PITCH : 40±0.2

PULL OUT DIRECTION

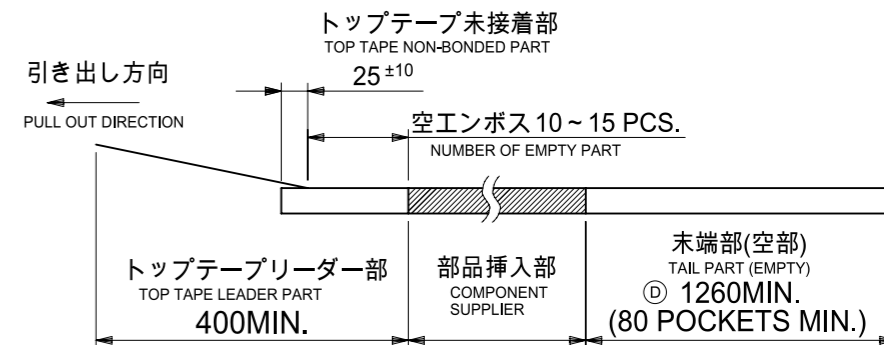
DIRECTION OF CONNECTOR
IN EMBOSSED TAPE



DETAIL X
(SCALE 10:1)

NOTES

- 製品番号 :
 ナチュラル・錫めっき 560020-**20
 ナチュラル・金めっき 560020-**30
 黒・錫めっき 560020-**21
 赤・錫めっき 560020-**22
 青・錫めっき 560020-**23
 詳細寸法については、製品単体図面を参照ください。
 PART NO.
 NATURAL・Sn Plating 560020-**20
 NATURAL・Au Plating 560020-**30
 BLACK・Sn Plating 560020-**21
 RED・Sn Plating 560020-**22
 BLUE・Sn Plating 560020-**23
 SEE SALES DRAWING FOR CONNECTOR
- 梱包数量 : 650個/REEL
 NUMBER OF CONNECTORS 650 PCS/REEL
- リードテープ長さ
 LEAD TAPE LENGTH



- 材料
 MATERIAL
 キャリアテープ : ポリスチレン
 CARRIER TAPE: POLYSTYRENE
 トップテープ : PET, PE, PEF
 TOP TAPE: PET, PE, PEF
 リール : ポリスチレン
 REEL: POLYSTYRENE
- 一般公差
 GENERAL TOLERANCES
 10 UNDER: ±0.2
 10 OVER 30 UNDER: ±0.25
 30 OVER: ±0.3
 ANGULAR: ±1°

FUNCTIONAL SYMBOLS	THIS DRAWING CONTAINS INFORMATION THAT IS PROPRIETARY TO MOLEX ELECTRONIC TECHNOLOGIES, LLC AND SHOULD NOT BE USED WITHOUT WRITTEN PERMISSION		CURRENT REV DESC:		molex
	FA = 0	mm	SCALE	NTS	
DIVISIONAL SYMBOLS	FE = 0	GENERAL TOLERANCES (UNLESS SPECIFIED)		PHASE:	PRODUCT SALES DRAWING
	FP = 0	4 PLACES	MM	INCH	
		3 PLACES	CO NO:		DOC TYPE
		2 PLACES	DRWN: Hideo Yoneyama 2023-10-23		DOC PART
		1 PLACE	CHK'D: Hiromichi Komatsu 2023-10-23		REVISION
		0 PLACES	APPR: Takashi Iida 2023-10-24		SD-560020-003
		ANGULAR TOL ± 0.5°	INITIAL REVISION:		
DRAFT WHERE APPLICABLE MUST REMAIN WITHIN DIMENSIONS		THIRD ANGLE PROJECTION		DRWN: YTAMAKI 2014/05/23	PSD
		DRAWING		APPR: MAYAMAMOTO 2014/06/30	001
		SERIES		2014/06/30	F2
		MATERIAL NUMBER		SEE CHART	
		CUSTOMER		GENERAL MARKET	
		SHEET NUMBER		1 OF 2	

Sn NATURAL	52.4	61.4	57.4	56	26.2	36.9	560020-1520	15
						34.9	560020-1420	14
						32.9	560020-1320	13
	40.4	49.4	45.4	44	20.2	30.9	560020-1220	12
						28.9	560020-1120	11
						26.9	560020-1020	10
						24.9	560020-0920	09
						22.9	560020-0820	08
						20.9	560020-0720	07
	28.4	37.4	33.4	32	14.2	18.9	560020-0620	06
						16.9	560020-0520	05
	/	29.4	25.4	24	11.5	14.9	560020-0420	04
						12.9	560020-0320	03
11.2						560020-0220	02	
PLATING COLOR	F	E	D	C	(B)	(A)	エンボス梱包品 製品番号 EMBOSSED PACKAGE MATERIAL NO.	CIRCUITS

Au NATURAL	52.4	61.4	57.4	56	26.2	36.9	560020-1530	15
						34.9	560020-1430	14
						32.9	560020-1330	13
	40.4	49.4	45.4	44	20.2	30.9	560020-1230	12
						28.9	560020-1130	11
						26.9	560020-1030	10
						24.9	560020-0930	09
						22.9	560020-0830	08
						20.9	560020-0730	07
	28.4	37.4	33.4	32	14.2	18.9	560020-0630	06
						16.9	560020-0530	05
	/	29.4	25.4	24	11.5	14.9	560020-0430	04
						12.9	560020-0330	03
11.2						560020-0230	02	
PLATING COLOR	F	E	D	C	(B)	(A)	エンボス梱包品 製品番号 EMBOSSED PACKAGE MATERIAL NO.	CIRCUITS

Sn BLACK	52.4	61.4	57.4	56	26.2	36.9	560020-1521	15
						34.9	560020-1421	14
						32.9	560020-1321	13
	40.4	49.4	45.4	44	20.2	30.9	560020-1221	12
						28.9	560020-1121	11
						26.9	560020-1021	10
						24.9	560020-0921	09
						22.9	560020-0821	08
						20.9	560020-0721	07
	28.4	37.4	33.4	32	14.2	18.9	560020-0621	06
						16.9	560020-0521	05
	/	29.4	25.4	24	11.5	14.9	560020-0421	04
						12.9	560020-0321	03
11.2						560020-0221	02	
PLATING COLOR	F	E	D	C	(B)	(A)	エンボス梱包品 製品番号 EMBOSSED PACKAGE MATERIAL NO.	CIRCUITS

Sn RED	/	/	/	/	/	/	/	15
	/	/	/	/	/	/	/	14
	/	/	/	/	/	/	/	13
	40.4	49.4	45.4	44	20.2	/	/	12
						/	/	11
						/	/	10
						/	/	09
						22.9	560020-0822	08
						/	/	07
	28.4	37.4	33.4	32	14.2	18.9	560020-0622	06
						/	/	05
	/	29.4	25.4	24	11.5	14.9	560020-0422	04
						12.9	560020-0322	03
11.2						560020-0222	02	
PLATING COLOR	F	E	D	C	(B)	(A)	エンボス梱包品 製品番号 EMBOSSED PACKAGE MATERIAL NO.	CIRCUITS

Sn BLUE	/	/	/	/	/	/	/	15
	/	/	/	/	/	/	/	14
	/	/	/	/	/	/	/	13
	40.4	49.4	45.4	44	20.2	/	/	12
						/	/	11
						/	/	10
						/	/	09
						22.9	560020-0823	08
						/	/	07
	28.4	37.4	33.4	32	14.2	18.9	560020-0623	06
						/	/	05
	/	29.4	25.4	24	11.5	14.9	560020-0423	04
						12.9	560020-0323	03
11.2						560020-0223	02	
PLATING COLOR	F	E	D	C	(B)	(A)	エンボス梱包品 製品番号 EMBOSSED PACKAGE MATERIAL NO.	CIRCUITS

FUNCTIONAL SYMBOLS	THIS DRAWING CONTAINS INFORMATION THAT IS PROPRIETARY TO MOLEX ELECTRONIC TECHNOLOGIES, LLC AND SHOULD NOT BE USED WITHOUT WRITTEN PERMISSION		CURRENT REV DESC:		molex
$\nabla_A = 0$ $\nabla_F = 0$ $\nabla_P = 0$	DIMENSION UNITS	SCALE	PHASE: CO NO: DRWN: Hideo Yoneyama 2023-10-23 CHK'D: Hiromichi Komatsu 2023-10-23 APPR: Takashi Iida 2023-10-24		
DIVISIONAL SYMBOLS	GENERAL TOLERANCES (UNLESS SPECIFIED) 4 PLACES ± 3 PLACES ± 2 PLACES ± 1 PLACE ± 0 PLACES ±		MM	INCH	PRODUCT SALES DRAWING
	ANGULAR TOL ± 0.5°		INITIAL REVISION: DRWN: YTAMAKI 2014/05/23 APPR: MAYAMAMOTO 2014/06/30		DOCUMENT NUMBER SD-560020-003
	DRAFT WHERE APPLICABLE MUST REMAIN WITHIN DIMENSIONS		THIRD ANGLE PROJECTION	DRAWING	DOC TYPE DOC PART REVISION PSD 001 F2
			SERIES	MATERIAL NUMBER	CUSTOMER
			A3-SIZE	560020	GENERAL MARKET
				SEE CHART	SHEET NUMBER 2 OF 2