

注記
NOTES

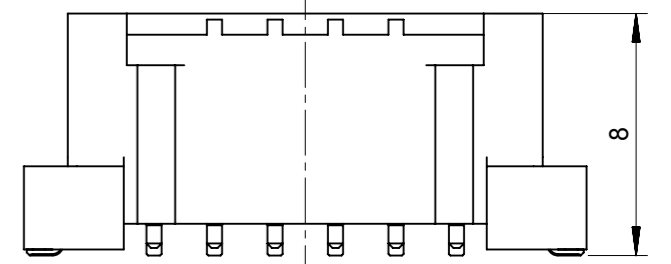
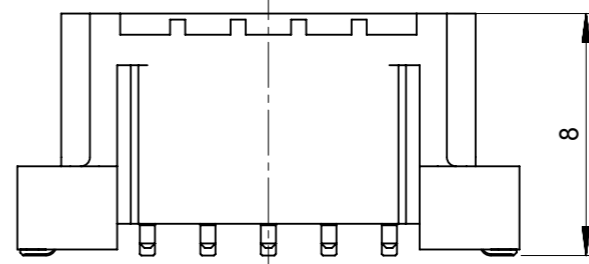
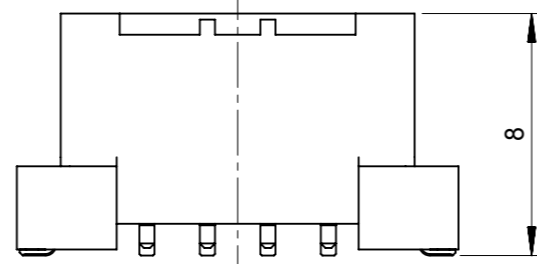
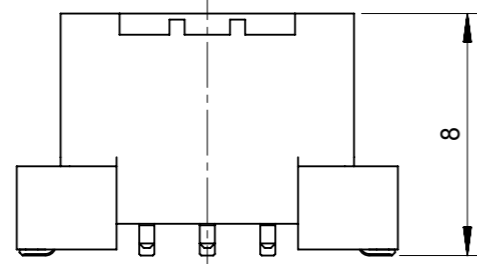
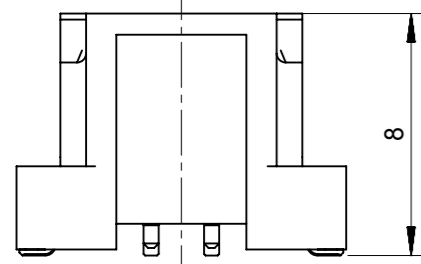
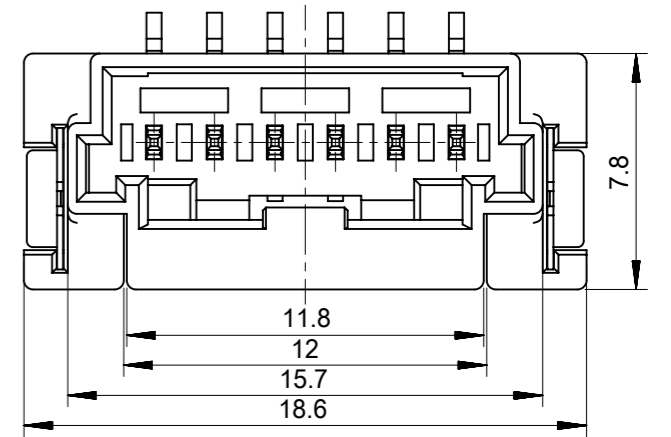
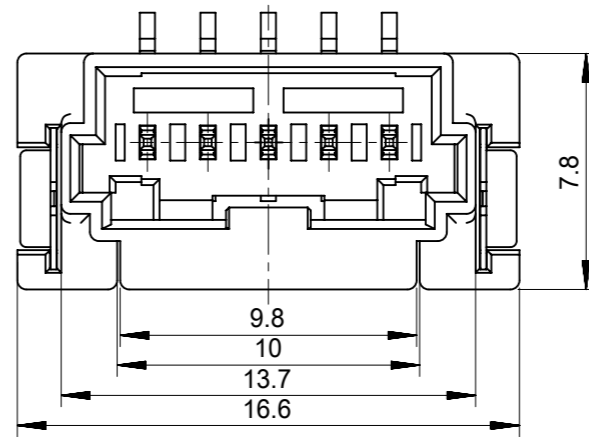
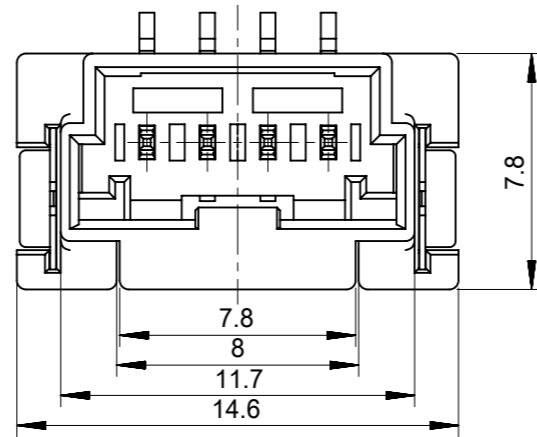
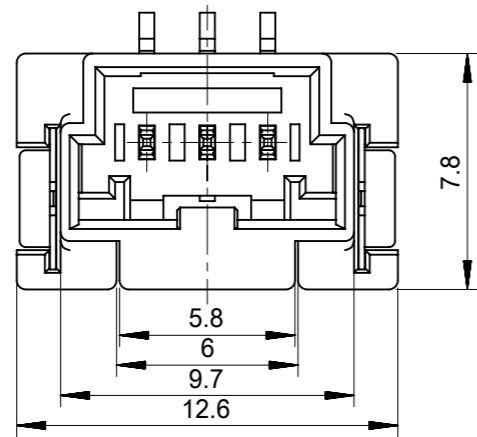
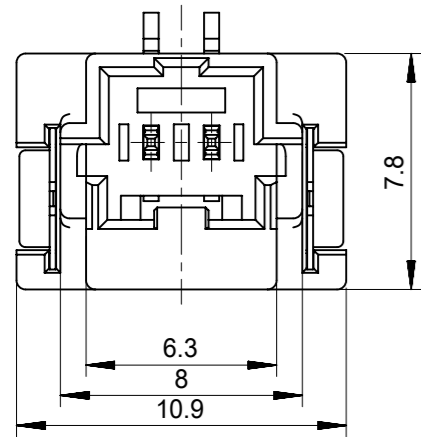
- 材質
ウエハー: 耐熱性ナイロン UL94V-0
ピン: 銅合金、ニッケル下地、錫メッキ、金メッキ
フィッティングネール: 銅合金、ニッケル下地、錫メッキ
MATERIAL
WAFER: POLYAMIDE UL94V-0
PIN: COPPER ALLOY, GOLD OR TIN OVER NICKEL PLATE.
FITTING NAIL: COPPER ALLOY, TIN OVER NICKEL PLATE.
- 色: ナチュラル、黒、赤、青
COLOR: NATURAL, BLACK, RED, BLUE
- 嵌合相手:
ハウジング: 502351-**0*
錫メッキ端子: 50212-8*00, 50372-8*00, 560085-0101
金メッキ端子: 56161-8*81
MATES WITH
HOUSING: 502351-**0*
SN PLATING TERMINAL: 50212-8*00, 50372-8*00, 560085-0101
AU PLATING TERMINAL: 56161-8*81

- インボス梱包品の詳細はSD-560020-002参照
DETAILED TAPING PACKAGE, SEE SD-560020-002
- 半田付け面のコプラナリティ: 0.1mm MAX.
CO-PLANARITY OF SOLDER TAILS TO BE 0.1mm MAX.
- 一般公差
GENERAL TOLERANCES
10 UNDER: ±0.2
10 OVER 30 UNDER: ±0.25
30 OVER: ±0.3
ANGULAR: ±1°

INITIAL REVISION:

DRWN	SHSHIBATA	2009/02/18
CHECK	HKOMATSU	2009/02/18
APPR	AKANESHIGE	2009/02/18

FUNCTIONAL SYMBOLS		THIS DRAWING CONTAINS INFORMATION THAT IS PROPRIETARY TO MOLEX ELECTRONIC TECHNOLOGIES, LLC AND SHOULD NOT BE USED WITHOUT WRITTEN PERMISSION		CURRENT REV DESC:	
FA=0	mm	SCALE	5:1		
FE=0	GENERAL TOLERANCES (UNLESS SPECIFIED)				
FP=0			MM	INCH	
DIVISIONAL SYMBOLS		4 PLACES	±		
		3 PLACES	±		
		2 PLACES	±		
		1 PLACE	±		
		0 PLACES	±		
		ANGULAR TOL	±	°	
DRAFT WHERE APPLICABLE MUST REMAIN WITHIN DIMENSIONS		THIRD ANGLE PROJECTION		DRAWING	SERIES
				A3-SIZE	560020
DOCUMENT STATUS		P1		RELEASE DATE	2020/04/06 00:33:42
DOCUMENT NUMBER		SD-560020-001		DOC TYPE	PSD
DOC PART		001		REVISION	K
CUSTOMER		GENERAL MARKET		SHEET NUMBER	
				1 OF 4	



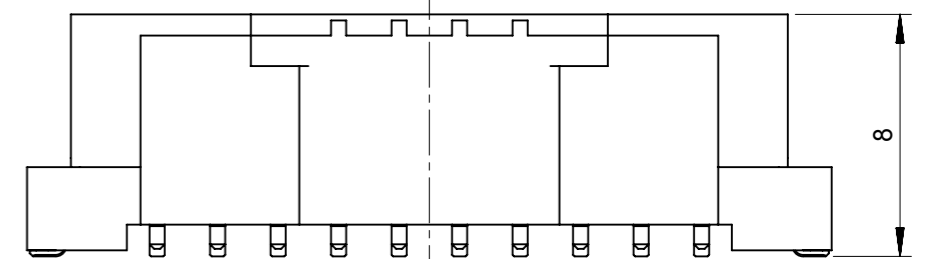
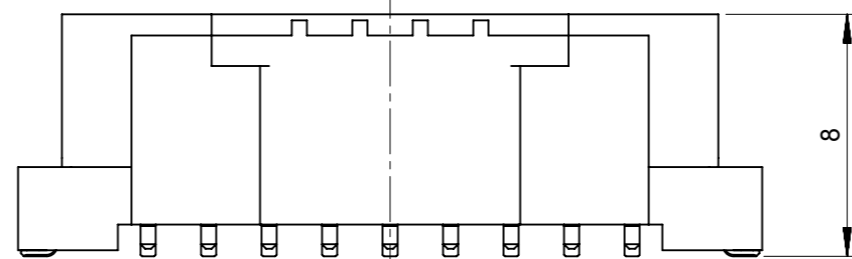
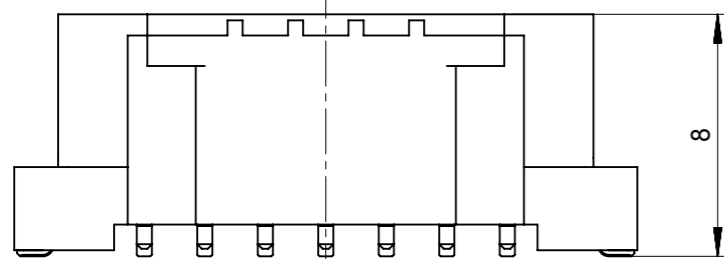
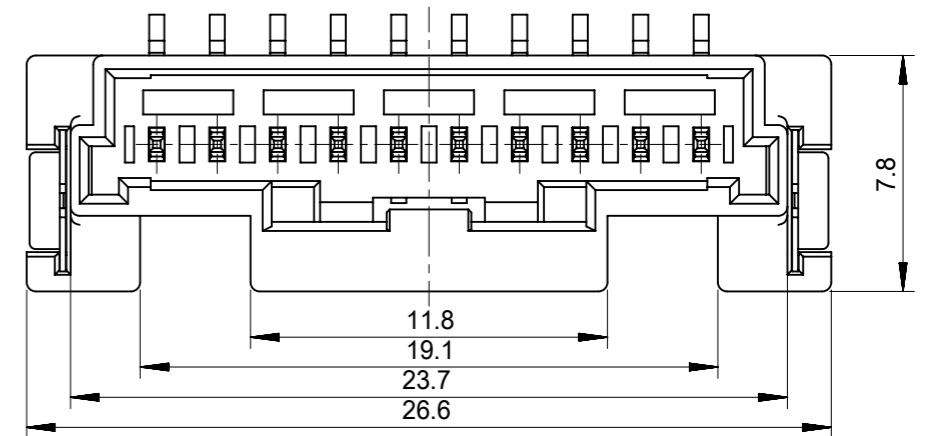
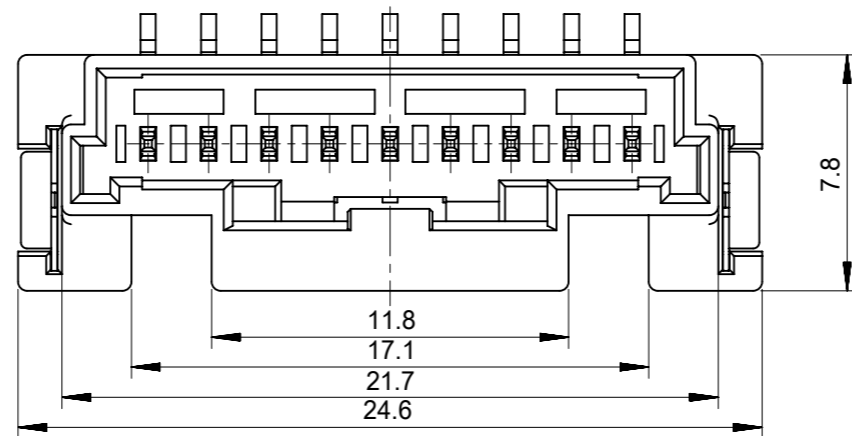
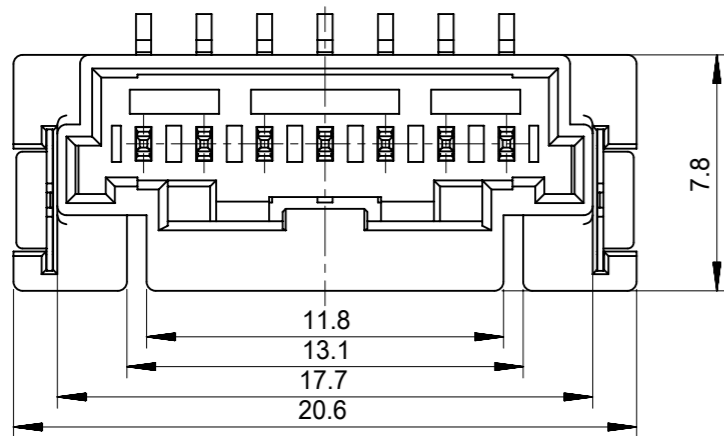
2CKTS

3CKTS

4CKTS

5CKTS

6CKTS



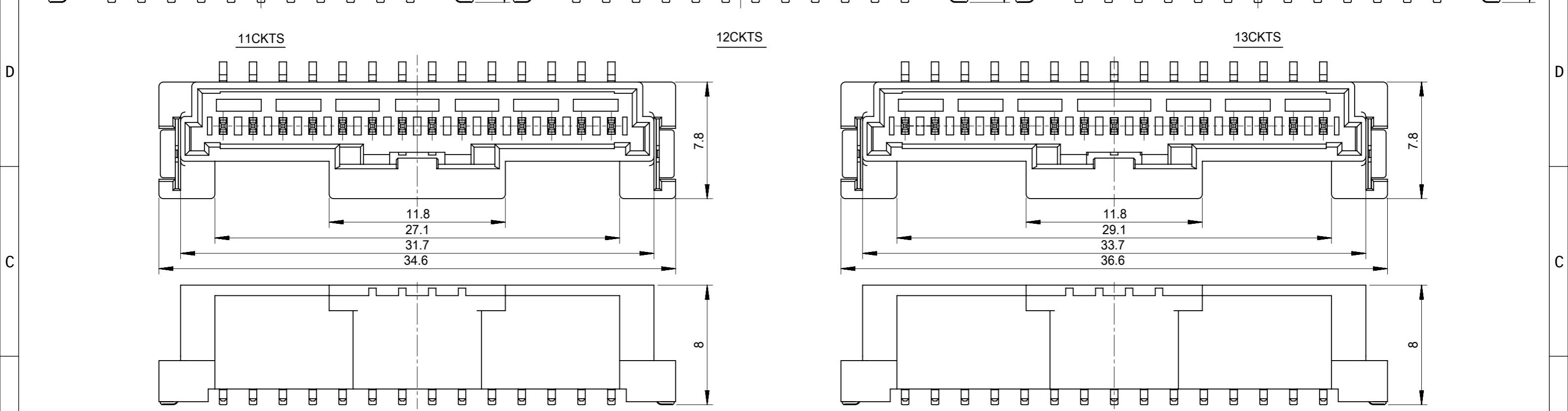
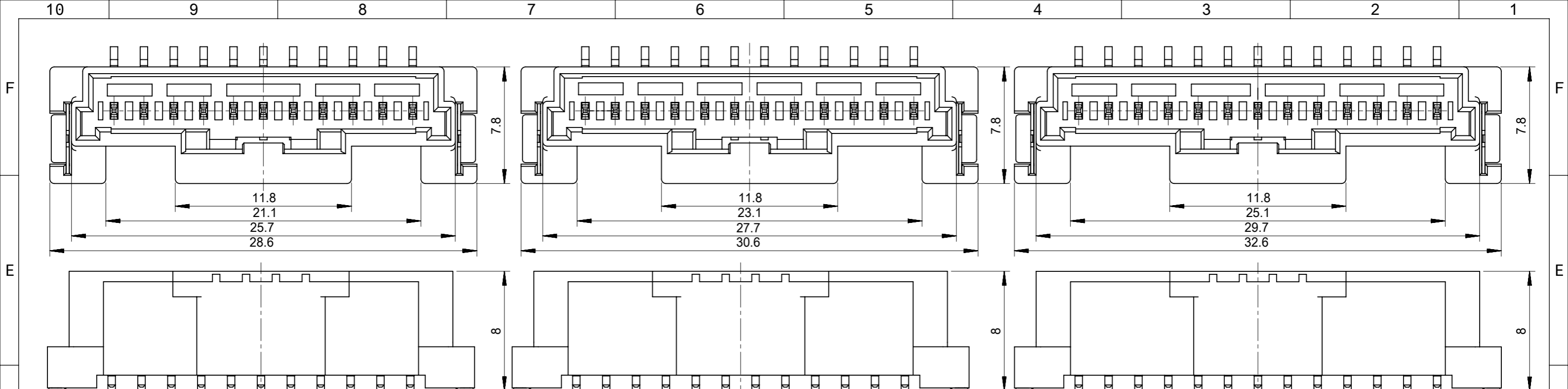
7CKTS

9CKTS

10CKTS

INITIAL REVISION:
 DRWN SHSHIBATA 2009/02/18
 CHECK HKOMATSU 2009/02/18
 APPR AKANESHIGE 2009/02/18

FUNCTIONAL SYMBOLS FA = 0 FB = 0 FC = 0	THIS DRAWING CONTAINS INFORMATION THAT IS PROPRIETARY TO MOLEX ELECTRONIC TECHNOLOGIES, LLC AND SHOULD NOT BE USED WITHOUT WRITTEN PERMISSION		CURRENT REV DESC:		
	DIMENSION UNITS mm	SCALE 4:1	EC NO: 635305		
DIVISIONAL SYMBOLS	GENERAL TOLERANCES (UNLESS SPECIFIED)		DRWN: MUNEMOTO 2020/04/02		PRODUCT CUSTOMER DRAWING
	4 PLACES ±	3 PLACES ±	CHK'D: HIJIMA 2020/04/03		
DRAFT WHERE APPLICABLE MUST REMAIN WITHIN DIMENSIONS		THIRD ANGLE PROJECTION		DOCUMENT NUMBER SD-560020-001	
DRAWING A3-SIZE		SERIES 560020		DOC TYPE DOC PART REVISION PSD 001 K	
MATERIAL NUMBER GENERAL MARKET		CUSTOMER		SHEET NUMBER 2 OF 4	



11CKTS 12CKTS 13CKTS

14CKTS 15CKTS

FUNCTIONAL SYMBOLS	THIS DRAWING CONTAINS INFORMATION THAT IS PROPRIETARY TO MOLEX ELECTRONIC TECHNOLOGIES, LLC AND SHOULD NOT BE USED WITHOUT WRITTEN PERMISSION	SCALE	CURRENT REV DESC:																																					
$\nabla_A = 0$	<table border="1" style="margin: auto;"> <tr> <th colspan="2">DIMENSION UNITS</th> <th colspan="2">SCALE</th> </tr> <tr> <td>mm</td> <td></td> <td>4:1</td> <td></td> </tr> <tr> <th colspan="4">GENERAL TOLERANCES (UNLESS SPECIFIED)</th> </tr> <tr> <td>4 PLACES</td> <td>±</td> <td>MM</td> <td>INCH</td> </tr> <tr> <td>3 PLACES</td> <td>±</td> <td></td> <td></td> </tr> <tr> <td>2 PLACES</td> <td>±</td> <td></td> <td></td> </tr> <tr> <td>1 PLACE</td> <td>±</td> <td></td> <td></td> </tr> <tr> <td>0 PLACES</td> <td>±</td> <td></td> <td></td> </tr> <tr> <td>ANGULAR TOL</td> <td>±</td> <td>°</td> <td></td> </tr> </table>	DIMENSION UNITS		SCALE		mm		4:1		GENERAL TOLERANCES (UNLESS SPECIFIED)				4 PLACES	±	MM	INCH	3 PLACES	±			2 PLACES	±			1 PLACE	±			0 PLACES	±			ANGULAR TOL	±	°		EC NO: 635305		
DIMENSION UNITS		SCALE																																						
mm			4:1																																					
GENERAL TOLERANCES (UNLESS SPECIFIED)																																								
4 PLACES	±	MM	INCH																																					
3 PLACES	±																																							
2 PLACES	±																																							
1 PLACE	±																																							
0 PLACES	±																																							
ANGULAR TOL	±	°																																						
$\nabla_F = 0$	DRWN: MUNEMOTO 2020/04/02																																							
$\nabla_P = 0$	CHK'D: HIJIMA 2020/04/03																																							
DIVISIONAL SYMBOLS	APPR: TOSADA 2020/04/06			PRODUCT CUSTOMER DRAWING																																				
	INITIAL REVISION:			DOCUMENT NUMBER																																				
	DRWN: SHSHIBATA 2009/02/18			SD-560020-001																																				
	CHECK HKOMATSU 2009/02/18			DOC TYPE DOC PART REVISION																																				
	APPR: AKANESHIGE 2009/02/18			PSD 001 K																																				
	DRAFT WHERE APPLICABLE MUST REMAIN WITHIN DIMENSIONS			SHEET NUMBER																																				
	THIRD ANGLE PROJECTION			3 OF 4																																				
	DRAWING SERIES MATERIAL NUMBER CUSTOMER			GENERAL MARKET																																				
	A3-SIZE 560020			3 OF 4																																				

Sn NATURAL	11.8	29.1	33.7	36.6	560020-1520	15
	11.8	27.1	31.7	34.6	560020-1420	14
	11.8	25.1	29.7	32.6	560020-1320	13
	11.8	23.1	27.7	30.6	560020-1220	12
	11.8	21.1	25.7	28.6	560020-1120	11
	11.8	19.1	23.7	26.6	560020-1020	10
	11.8	17.1	21.7	24.6	560020-0920	9
	11.8	15.1	19.7	22.6	560020-0820	8
	11.8	13.1	17.7	20.6	560020-0720	7
	11.8	12	15.7	18.6	560020-0620	6
	9.8	10	13.7	16.6	560020-0520	5
	7.8	8	11.7	14.6	560020-0420	4
	5.8	6	9.7	12.6	560020-0320	3
	6.3	/	8.0	10.9	560020-0220	2
PLATING COLOR	D	C	B	A	EMBOSSED PACKAGE ORDER NO.	CKTS
CONNECTOR SERIES NO. 560020-**08						

Au NATURAL	11.8	29.1	33.7	36.6	560020-1530	15
	11.8	27.1	31.7	34.6	560020-1430	14
	11.8	25.1	29.7	32.6	560020-1330	13
	11.8	23.1	27.7	30.6	560020-1230	12
	11.8	21.1	25.7	28.6	560020-1130	11
	11.8	19.1	23.7	26.6	560020-1030	10
	11.8	17.1	21.7	24.6	560020-0930	9
	11.8	15.1	19.7	22.6	560020-0830	8
	11.8	13.1	17.7	20.6	560020-0730	7
	11.8	12	15.7	18.6	560020-0630	6
	9.8	10	13.7	16.6	560020-0530	5
	7.8	8	11.7	14.6	560020-0430	4
	5.8	6	9.7	12.6	560020-0330	3
	6.3	/	8.0	10.9	560020-0230	2
PLATING COLOR	D	C	B	A	EMBOSSED PACKAGE ORDER NO.	CKTS
CONNECTOR SERIES NO. 560020-**18						

Sn BLACK	11.8	29.1	33.7	36.6	560020-1521	15
	11.8	27.1	31.7	34.6	560020-1421	14
	11.8	25.1	29.7	32.6	560020-1321	13
	11.8	23.1	27.7	30.6	560020-1221	12
	11.8	21.1	25.7	28.6	560020-1121	11
	11.8	19.1	23.7	26.6	560020-1021	10
	11.8	17.1	21.7	24.6	560020-0921	9
	11.8	15.1	19.7	22.6	560020-0821	8
	11.8	13.1	17.7	20.6	560020-0721	7
	11.8	12	15.7	18.6	560020-0621	6
	9.8	10	13.7	16.6	560020-0521	5
	7.8	8	11.7	14.6	560020-0421	4
	5.8	6	9.7	12.6	560020-0321	3
	6.3	/	8.0	10.9	560020-0221	2
PLATING COLOR	D	C	B	A	EMBOSSED PACKAGE ORDER NO.	CKTS
CONNECTOR SERIES NO. 560020-**28						

Sn RED	/	/	/	/	/	15
	/	/	/	/	/	14
	/	/	/	/	/	13
	/	/	/	/	/	12
	/	/	/	/	/	11
	/	/	/	/	/	10
	/	/	/	/	/	9
	11.8	15.1	19.7	22.6	560020-0822	8
	/	/	/	/	/	7
	11.8	12	15.7	18.6	560020-0622	6
	/	/	/	/	/	5
	7.8	8	11.7	14.6	560020-0422	4
	5.8	6	9.7	12.6	560020-0322	3
	6.3	/	8.0	10.9	560020-0222	2
PLATING COLOR	D	C	B	A	EMBOSSED PACKAGE ORDER NO.	CKTS
CONNECTOR SERIES NO. 560020-**48						

Sn BLUE	/	/	/	/	/	15
	/	/	/	/	/	14
	/	/	/	/	/	13
	/	/	/	/	/	12
	/	/	/	/	/	11
	/	/	/	/	/	10
	/	/	/	/	/	9
	11.8	15.1	19.7	22.6	560020-0823	8
	/	/	/	/	/	7
	11.8	12	15.7	18.6	560020-0623	6
	/	/	/	/	/	5
	7.8	8	11.7	14.6	560020-0423	4
	5.8	6	9.7	12.6	560020-0323	3
	6.3	/	8.0	10.9	560020-0223	2
PLATING COLOR	D	C	B	A	EMBOSSED PACKAGE ORDER NO.	CKTS
CONNECTOR SERIES NO. 560020-**68						

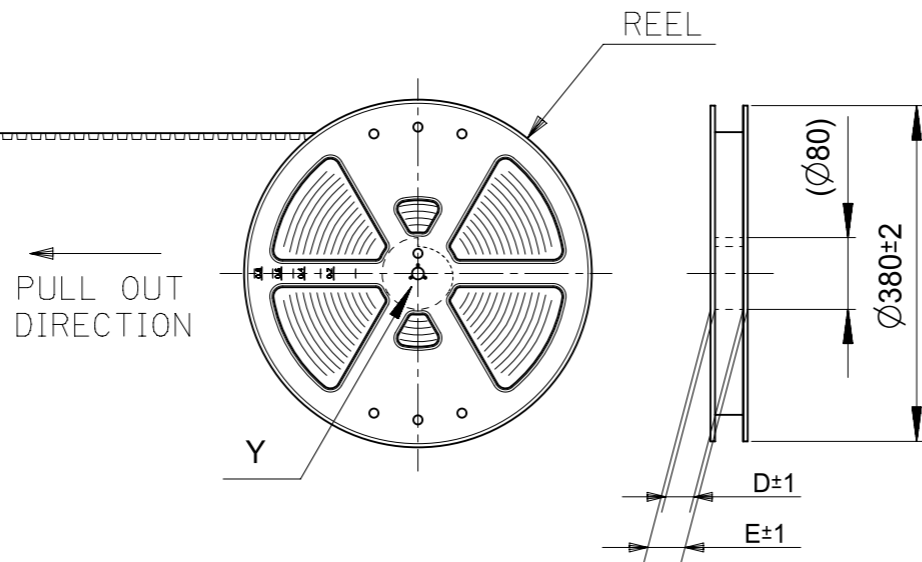
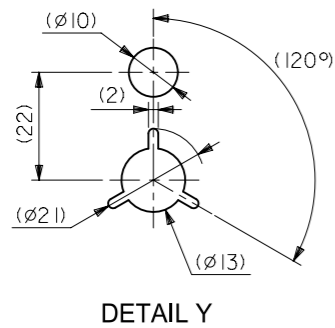
INITIAL REVISION:
 DRWN SHSHIBATA 2009/02/18
 CHECK HKOMATSU 2009/02/18
 APPR AKANESHIGE 2009/02/18

FUNCTIONAL SYMBOLS		THIS DRAWING CONTAINS INFORMATION THAT IS PROPRIETARY TO MOLEX ELECTRONIC TECHNOLOGIES, LLC AND SHOULD NOT BE USED WITHOUT WRITTEN PERMISSION	
FA = 0	mm	SCALE 1:1	CURRENT REV DESC:
FB = 0	GENERAL TOLERANCES (UNLESS SPECIFIED)		
FC = 0	MM INCH		
DIVISIONAL SYMBOLS		4 PLACES ±	EC NO: 635305
		3 PLACES ±	DRWN: MUNEMOTO 2020/04/02
		2 PLACES ±	CHK'D: HIJIMA 2020/04/03
		1 PLACE ±	APPR: TOSADA 2020/04/06
		0 PLACES ±	INITIAL REVISION:
		ANGULAR TOL ± °	DRWN: DRAWN BY 0099/99/99
DRAFT WHERE APPLICABLE MUST REMAIN WITHIN DIMENSIONS		THIRD ANGLE PROJECTION	APPR: APPR BY 0099/99/99
		DRAWING A3-SIZE	SERIES 560020
		MATERIAL NUMBER	CUSTOMER GENERAL MARKET
		DOCUMENT NUMBER SD-560020-001	DOC TYPE PSD
		DOC PART 001	REVISION K
		SHEET NUMBER 4 OF 4	



2.0MM PITCH W/B CONN.
 WAFER ASSY ST. SMT

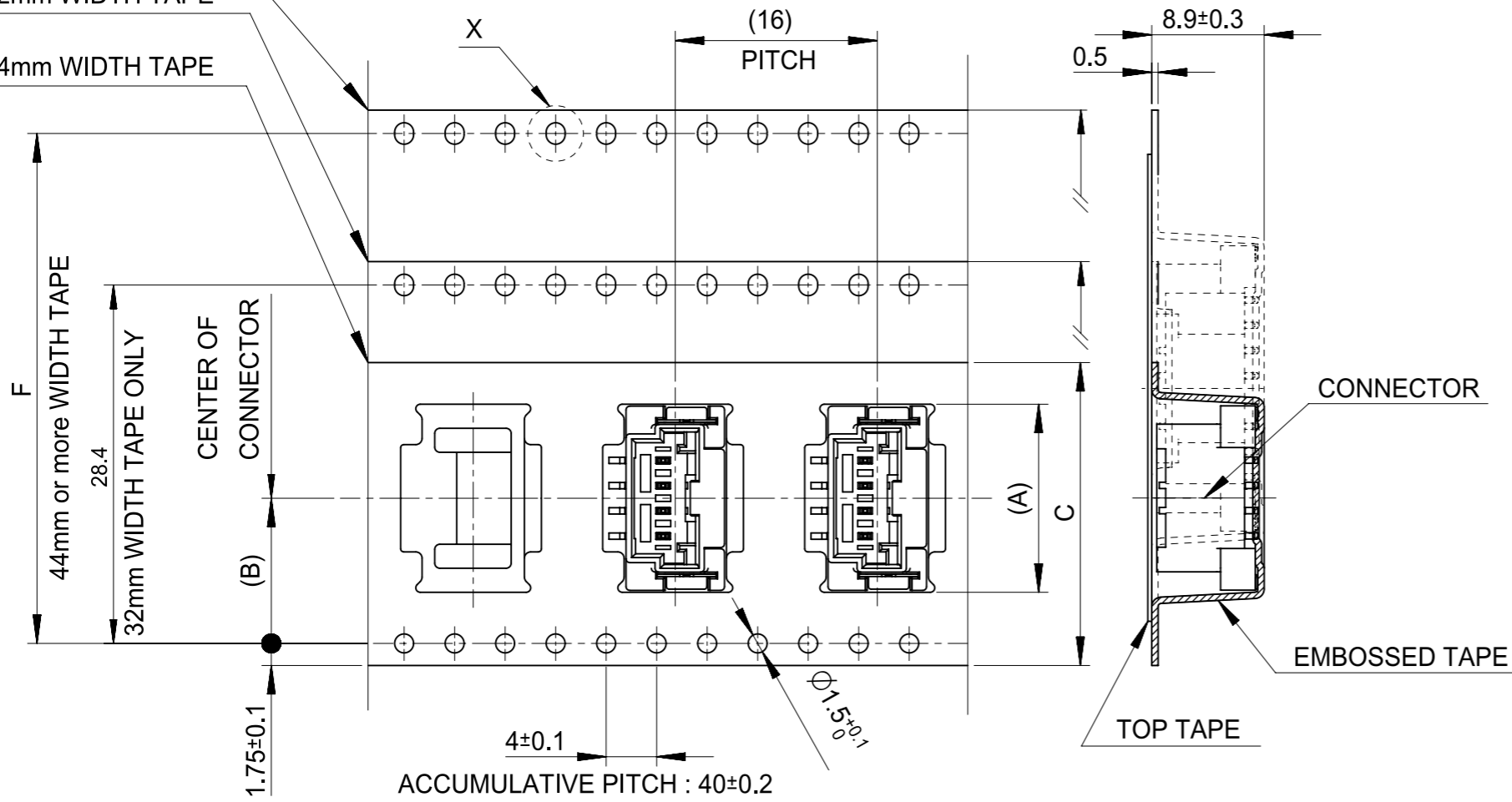
PRODUCT CUSTOMER DRAWING



44mm or more
WIDTH TAPE

32mm WIDTH TAPE

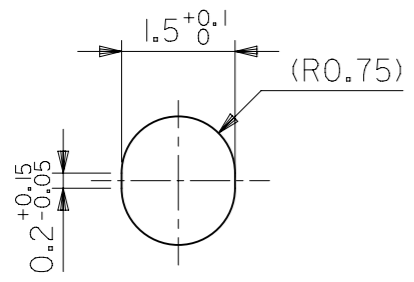
24mm WIDTH TAPE



ACCUMULATIVE PITCH : 40±0.2

PULL OUT DIRECTION

DIRECTION OF CONNECTOR
IN EMBOSSED TAPE

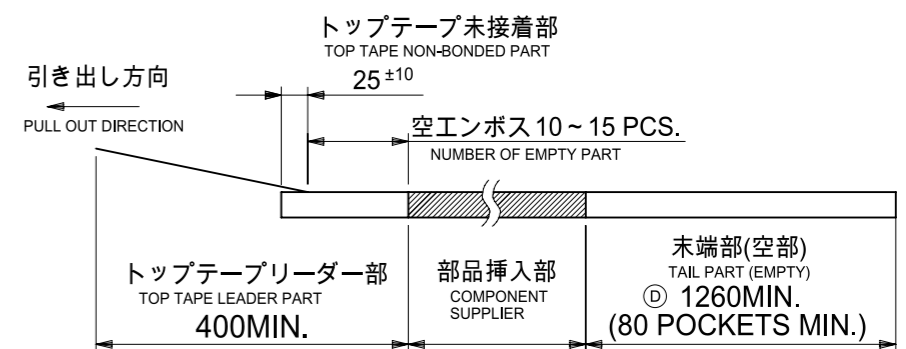


DETAIL X
(SCALE 10:1)

NOTES

- 製品番号 :
 ナチュラル・錫めっき 560020-**20
 ナチュラル・金めっき 560020-**30
 黒・錫めっき 560020-**21
 赤・錫めっき 560020-**22
 青・錫めっき 560020-**23
 詳細寸法については、製品単体図面を参照ください。

- PART NO.
 NATURAL・Sn Plating 560020-**20
 NATURAL・Au Plating 560020-**30
 BLACK・Sn Plating 560020-**21
 RED・Sn Plating 560020-**22
 BLUE・Sn Plating 560020-**23
 SEE SALES DRAWING FOR CONNECTOR
- 梱包数量 : 650個/REEL
 NUMBER OF CONNECTORS 650 PCS/REEL
 - リードテープ長さ
 LEAD TAPE LENGTH



- 材料
 MATERIAL
 キャリアテープ : ポリスチレン
 CARRIER TAPE: POLYSTYRENE
 トップテープ : PET, PE, PEF
 TOP TAPE: PET, PE, PEF
 リール : ポリスチレン
 REEL: POLYSTYRENE
- 一般公差
 GENERAL TOLERANCES
 10 UNDER: ±0.2
 10 OVER 30 UNDER: ±0.25
 30 OVER: ±0.3
 ANGULAR: ±1°

FUNCTIONAL SYMBOLS	THIS DRAWING CONTAINS INFORMATION THAT IS PROPRIETARY TO MOLEX ELECTRONIC TECHNOLOGIES, LLC AND SHOULD NOT BE USED WITHOUT WRITTEN PERMISSION		CURRENT REV DESC:		molex
	FA = 0	mm NTS	SCALE		
DIVISIONAL SYMBOLS	FE = 0	GENERAL TOLERANCES (UNLESS SPECIFIED)		PHASE:	PRODUCT SALES DRAWING
	FP = 0	MM INCH	4 PLACES ±	CO NO:	
		3 PLACES ±	DRWN: Hideo Yoneyama	2023-10-23	DOCUMENT NUMBER
		2 PLACES ±	CHK'D: Hiromichi Komatsu	2023-10-23	
		1 PLACE ±	APPR: Takashi Iida	2023-10-24	DOC TYPE
		0 PLACES ±	INITIAL REVISION:		DOC PART
		ANGULAR TOL ± 0.5°	DRWN: YTAMAKI	2014/05/23	REVISION
			APPR: MAYAMAMOTO	2014/06/30	F2
DRAFT WHERE APPLICABLE MUST REMAIN WITHIN DIMENSIONS		THIRD ANGLE PROJECTION	DRAWING	SERIES	MATERIAL NUMBER
			A3-SIZE	560020	CUSTOMER
					SEE CHART
					GENERAL MARKET
					SHEET NUMBER
					1 OF 2

Sn NATURAL	52.4	61.4	57.4	56	26.2	36.9	560020-1520	15
						34.9	560020-1420	14
						32.9	560020-1320	13
	40.4	49.4	45.4	44	20.2	30.9	560020-1220	12
						28.9	560020-1120	11
						26.9	560020-1020	10
						24.9	560020-0920	09
						22.9	560020-0820	08
						20.9	560020-0720	07
						18.9	560020-0620	06
	28.4	37.4	33.4	32	14.2	16.9	560020-0520	05
						14.9	560020-0420	04
						12.9	560020-0320	03
		29.4	25.4	24	11.5	11.2	560020-0220	02
	PLATING COLOR	F	E	D	C	(B)	(A)	エンボス梱包品 製品番号 EMBOSSED PACKAGE MATERIAL NO.

Au NATURAL	52.4	61.4	57.4	56	26.2	36.9	560020-1530	15
						34.9	560020-1430	14
						32.9	560020-1330	13
	40.4	49.4	45.4	44	20.2	30.9	560020-1230	12
						28.9	560020-1130	11
						26.9	560020-1030	10
						24.9	560020-0930	09
						22.9	560020-0830	08
						20.9	560020-0730	07
						18.9	560020-0630	06
	28.4	37.4	33.4	32	14.2	16.9	560020-0530	05
						14.9	560020-0430	04
						12.9	560020-0330	03
		29.4	25.4	24	11.5	11.2	560020-0230	02
	PLATING COLOR	F	E	D	C	(B)	(A)	エンボス梱包品 製品番号 EMBOSSED PACKAGE MATERIAL NO.

Sn BLACK	52.4	61.4	57.4	56	26.2	36.9	560020-1521	15
						34.9	560020-1421	14
						32.9	560020-1321	13
	40.4	49.4	45.4	44	20.2	30.9	560020-1221	12
						28.9	560020-1121	11
						26.9	560020-1021	10
						24.9	560020-0921	09
						22.9	560020-0821	08
						20.9	560020-0721	07
						18.9	560020-0621	06
	28.4	37.4	33.4	32	14.2	16.9	560020-0521	05
						14.9	560020-0421	04
						12.9	560020-0321	03
		29.4	25.4	24	11.5	11.2	560020-0221	02
	PLATING COLOR	F	E	D	C	(B)	(A)	エンボス梱包品 製品番号 EMBOSSED PACKAGE MATERIAL NO.

Sn RED	/	/	/	/	/	/	/	15
	/	/	/	/	/	/	/	14
	/	/	/	/	/	/	/	13
	40.4	49.4	45.4	44	20.2	/	/	12
						/	/	11
						/	/	10
						/	/	09
						22.9	560020-0822	08
						/	/	07
						18.9	560020-0622	06
	28.4	37.4	33.4	32	14.2	/	/	05
						14.9	560020-0422	04
						12.9	560020-0322	03
		29.4	25.4	24	11.5	11.2	560020-0222	02
	PLATING COLOR	F	E	D	C	(B)	(A)	エンボス梱包品 製品番号 EMBOSSED PACKAGE MATERIAL NO.

Sn BLUE	/	/	/	/	/	/	/	15
	/	/	/	/	/	/	/	14
	/	/	/	/	/	/	/	13
	40.4	49.4	45.4	44	20.2	/	/	12
						/	/	11
						/	/	10
						/	/	09
						22.9	560020-0823	08
						/	/	07
						18.9	560020-0623	06
	28.4	37.4	33.4	32	14.2	/	/	05
						14.9	560020-0423	04
						12.9	560020-0323	03
		29.4	25.4	24	11.5	11.2	560020-0223	02
	PLATING COLOR	F	E	D	C	(B)	(A)	エンボス梱包品 製品番号 EMBOSSED PACKAGE MATERIAL NO.

FUNCTIONAL SYMBOLS FA=0 FE=0 FP=0	THIS DRAWING CONTAINS INFORMATION THAT IS PROPRIETARY TO MOLEX ELECTRONIC TECHNOLOGIES, LLC AND SHOULD NOT BE USED WITHOUT WRITTEN PERMISSION		CURRENT REV DESC:		molex
	DIMENSION UNITS mm	SCALE NTS			
DIVISIONAL SYMBOLS	GENERAL TOLERANCES (UNLESS SPECIFIED)		PHASE:		PRODUCT SALES DRAWING
	4 PLACES ±	MM INCH	CO NO: DRWN: Hideo Yoneyama 2023-10-23 CHK'D: Hiromichi Komatsu 2023-10-23 APPR: Takashi Iida 2023-10-24		
1 PLACE ±		INITIAL REVISION:		DOCUMENT NUMBER	DOC TYPE DOC PART REVISION
0 PLACES ±		DRWN: YTAMAKI 2014/05/23		SD-560020-003	PSD 001 F2
ANGULAR TOL ± 0.5°		APPR: MAYAMAMOTO 2014/06/30		MATERIAL NUMBER	CUSTOMER
DRAFT WHERE APPLICABLE MUST REMAIN WITHIN DIMENSIONS		THIRD ANGLE PROJECTION	DRAWING	SERIES	SHEET NUMBER
			A3-SIZE	560020	SEE CHART GENERAL MARKET 2 OF 2