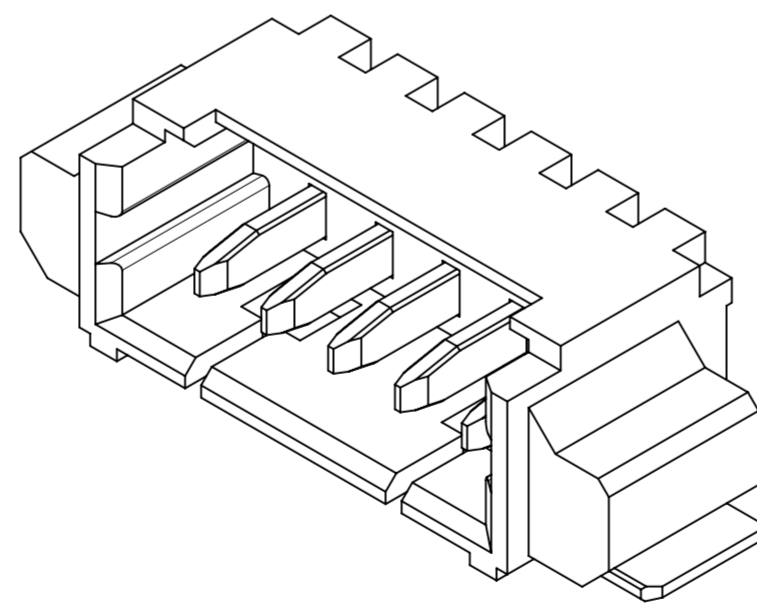
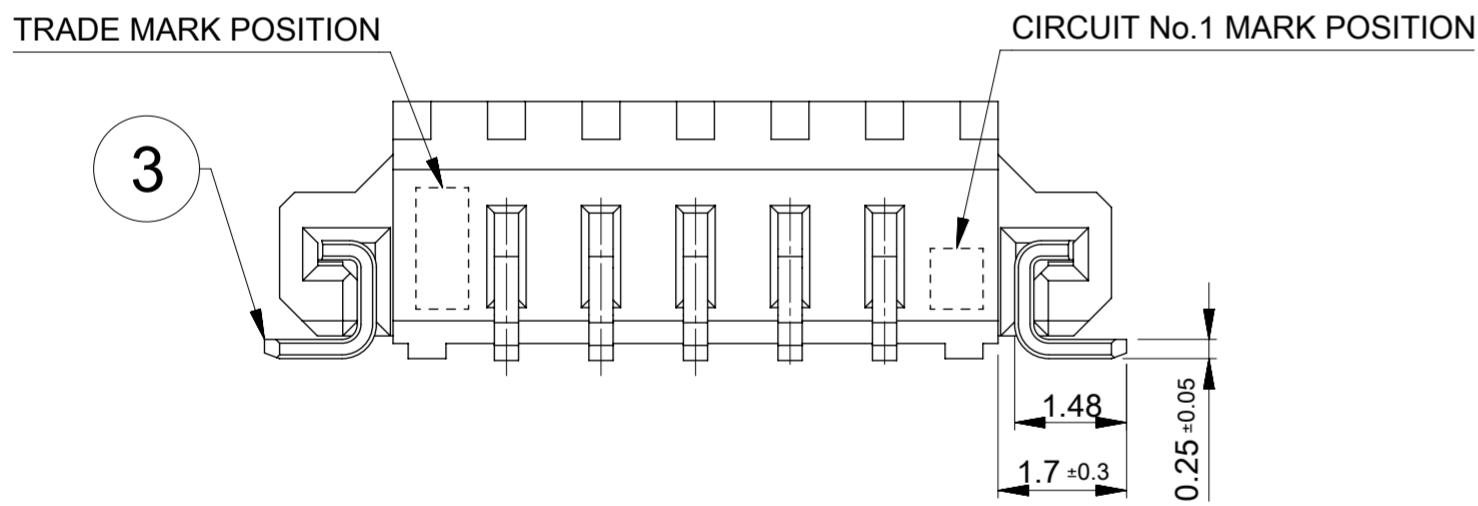
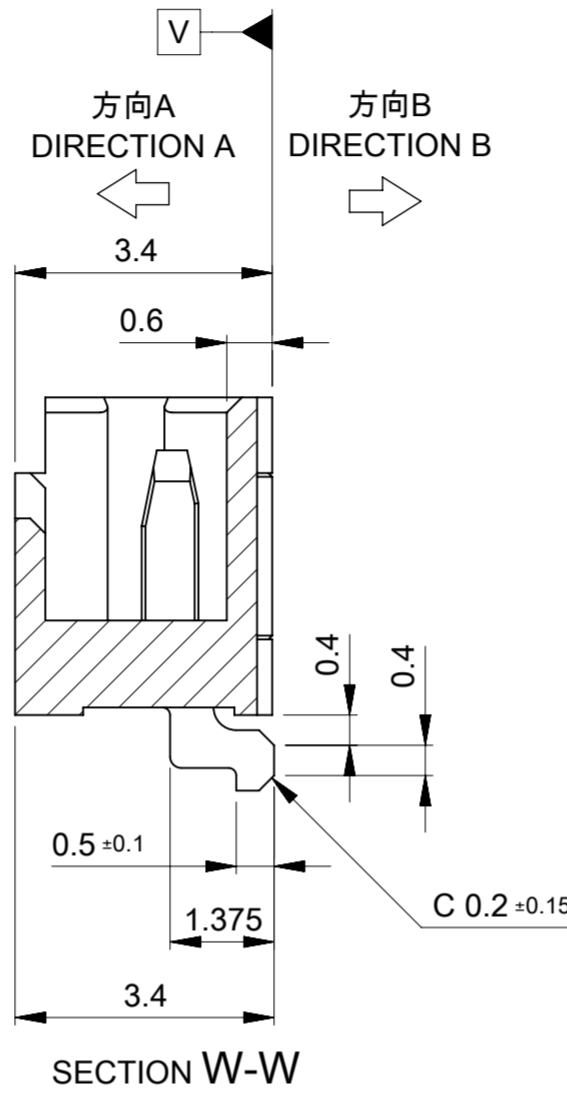
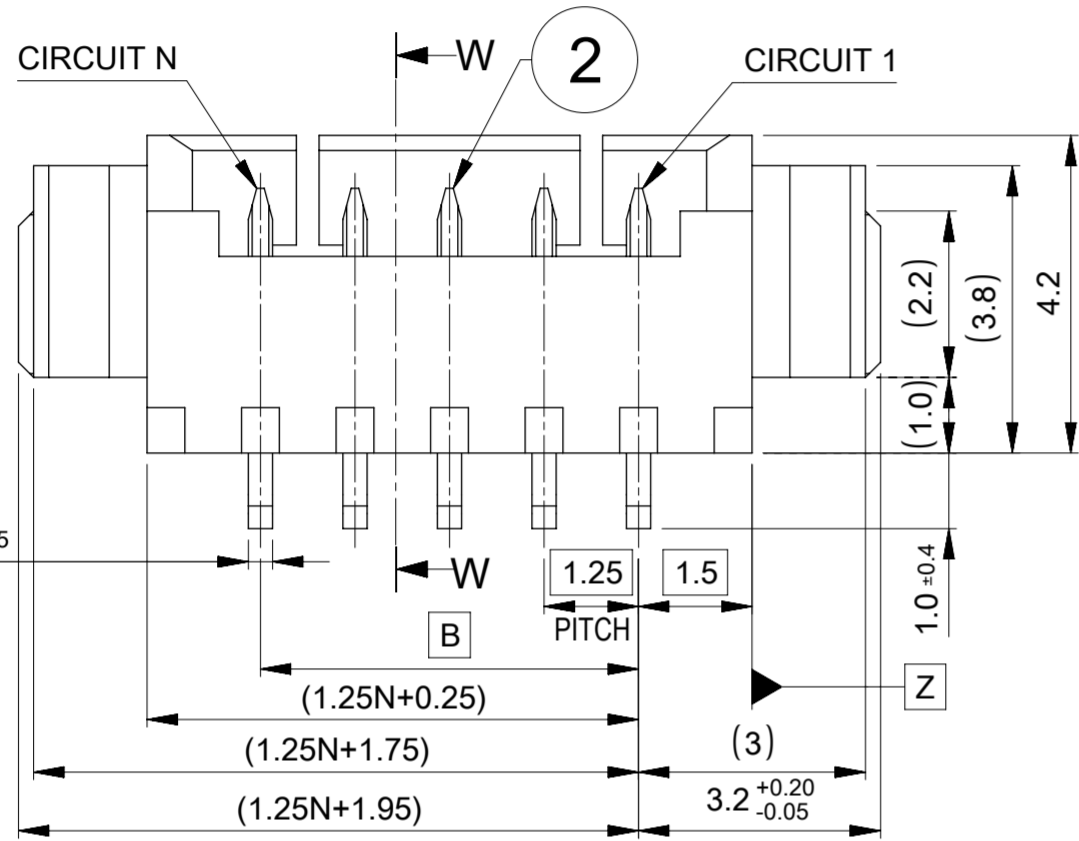
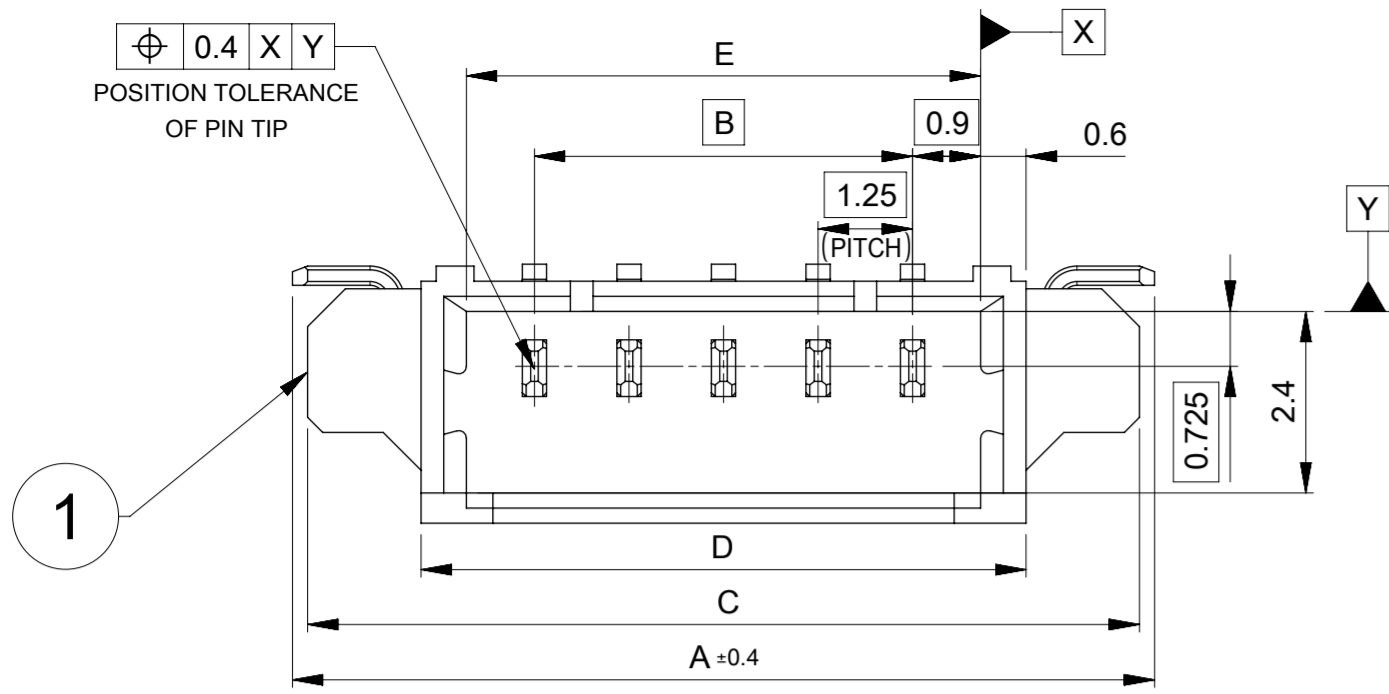
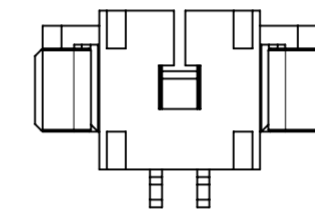


⊕ 0.4 X Y
POSITION TOLERANCE
OF PIN TIP

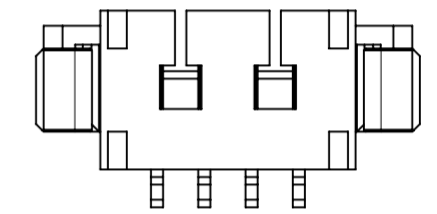


NOTES

1. 材料およびめっき仕様：TABLE 1 参照
MATERIAL AND PLATING：REFER TO TABLE 1
2. 適用製品及び各種仕様書はSHEET 5を参照のこと
REFER TO SHEET 5 ABOUT APPLICABLE PRODUCTS AND VARIOUS SPECIFICATIONS
3. 梱包形態：SHEET 3 参照
PACKAGING INFORMATION：SEE SHEET 3
4. テールおよびネイルのズレは基準面 $\square V$ に対しA方向に0.05 MAX、B方向に0.1 MAX
MISALIGNMENT OF TAILS AND NAILS FROM $\square V$,
DIRECTION A: 0.05 MAX, DIRECTION B: 0.1 MAX
5. 端子テール部およびネイルの平坦度は0.1以下
COPLANARITY OF TAIL AND NAIL TO BE 0.1 MAX
6. 本製品は錫めっき品です。金めっき品は532610000-SD 000をご参照ください
THIS PRODUCT IS TIN PLATING TYPE.
PLEASE REFER TO 532610000-SD FOR GOLD PLATING TYPE.
7. ロックの数は、2,3極は1ロック、4極以上は2ロック。
LOCKING WINDOW: ONE PLACE FOR 2 AND 3 CIRCUIT, AND TWO PLACES FOR MORE THAN 4 CIRCUIT.



△ 2, 3極形状 (1ロック)
FIGURE OF 2, 3 CIRCUIT (1 LOCK)



△ 4極以上ロック形状 (2ロック)
FIGURE OF MORE THAN 4 CIRCUIT (2 LOCKS)

21.8	23	26	20	26.4	---	532611771	17
19.3	20.5	23.5	17.5	23.9	---	532611571	15
18.05	19.25	22.25	16.25	22.65	532611427	532611471	14
16.8	18	21	15	21.4	---	532611371	13
15.55	16.75	19.75	13.75	20.15	532611227	532611271	12
14.3	15.5	18.5	12.5	18.9	---	532611171	11
13.05	14.25	17.25	11.25	17.65	---	532611071	10
11.8	13	16	10	16.4	532610927	532610971	9
10.55	11.75	14.75	8.75	15.15	532610827	532610871	8
9.3	10.5	13.5	7.5	13.9	532610727	532610771	7
8.05	9.25	12.25	6.25	12.65	532610627	532610671	6
6.8	8	11	5	11.4	532610527	532610571	5
5.55	6.75	9.75	3.75	10.15	532610427	532610471	4
4.3	5.5	8.5	2.5	8.9	532610327	532610371	3
3.05	4.25	7.25	1.25	7.65	---	532610271	2
E	D	C	B	A	色：黒 COLOUR: BLACK	色：ナチュラル(ベージュ) COLOUR: NATURAL (BEIGE)	極数 CIRCUIT SIZE
△ 発注番号 ORDER NO							
梱包形態：エンボス梱包 PACKAGING：EMBOSS TAPE AND REEL							

△ TABLE 1

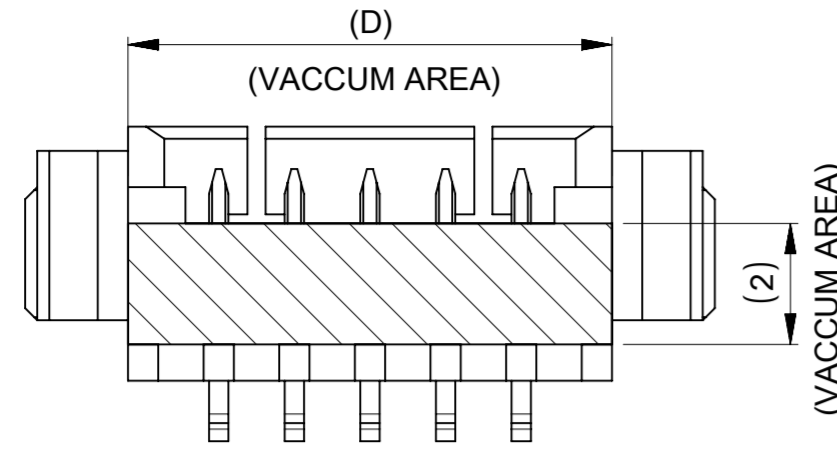
番号 NO.	部品 PART	材質 MATERIAL
①	ハウジング HOUSING	ポリアミド(PA), UL94V-0, GLASS-FILLED, 色: 表参照 POLYAMIDE(PA), UL94V-0, GLASS-FILLED, COLOUR: SEE CHART
②	ターミナル TERMINAL	りん青銅 PHOSPHOR BRONZE 無光沢錫めっき 1.0 MICROMETER MINIMUM MATTE TIN PLATING 1.0 MICROMETER MINIMUM ニッケルめっき 1.0 MICROMETER MINIMUM NICKEL PLATING 1.0 MICROMETER MINIMUM
③	ネイル NAIL	りん青銅 PHOSPHOR BRONZE 無光沢錫めっき 1.0 MICROMETER MINIMUM MATTE TIN PLATING 1.0 MICROMETER MINIMUM ニッケルめっき 1.0 MICROMETER MINIMUM NICKEL PLATING 1.0 MICROMETER MINIMUM

THIS DRAWING CONTAINS INFORMATION THAT IS PROPRIETARY TO MOLEX ELECTRONIC TECHNOLOGIES, LLC AND SHOULD NOT BE USED WITHOUT WRITTEN PERMISSION

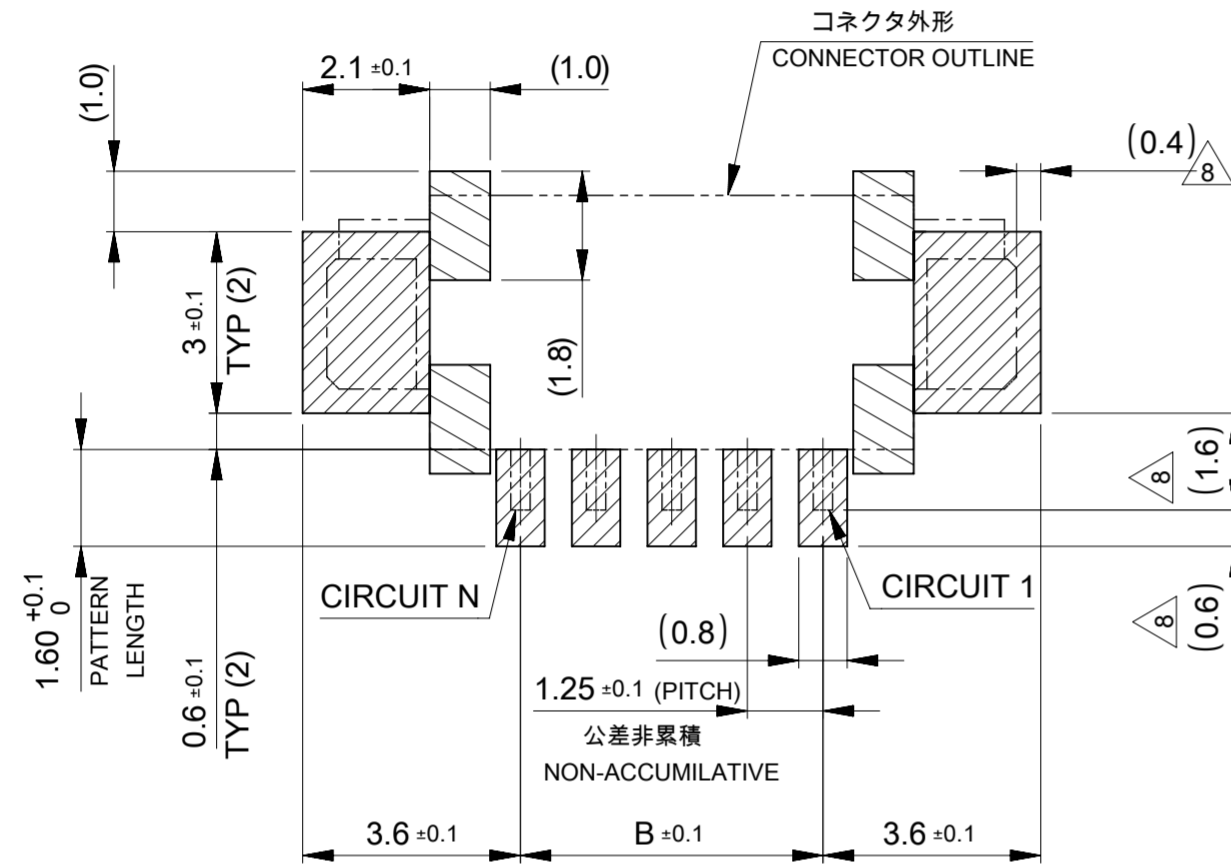
DIMENSION UNITS	SCALE	CURRENT REV DESC:	molex						
mm	NTS								
GENERAL TOLERANCES (UNLESS SPECIFIED)			PICOBLADE 1.25 SMT RIGHT ANGLE TIN PLATING TYPE						
ANGULAR TOL ± 3.0°									
4 PLACES	± 0.2	EC NO: 744677	PRODUCT CUSTOMER DRAWING						
3 PLACES	± 0.2	DRWN: SSATO02							
2 PLACES	± 0.2	CHK'D: AIDA	2022/12/16	DOCUMENT NUMBER			DOC TYPE	DOC PART	REVISION
1 PLACE	± 0.2	APPR: MARAI	2023/07/24						
0 PLACES	± 0.2	INITIAL REVISION:	2023/07/24	532610001-SD			PSD	000	E
DRAFT WHERE APPLICABLE MUST REMAIN WITHIN DIMENSIONS			DRWN: QHE31						
THIRD ANGLE PROJECTION			APPR: KOMURAKAMI	A2-SIZE			1 OF 4		
DRAWING			SERIES						
SERIES				53261			GENERAL		

NOTES

△₈ 製品輪郭線からパッドまでの寸法を示す。
DIMENSIONS FROM CONNECTOR OUTLINE TO PAD



吸着エリア
VACCU AREA

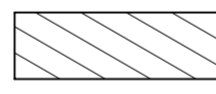


推奨基板レイアウト (実装面側)

RECOMMENDED P.C.B LAYOUT : COMPONENT SIDE

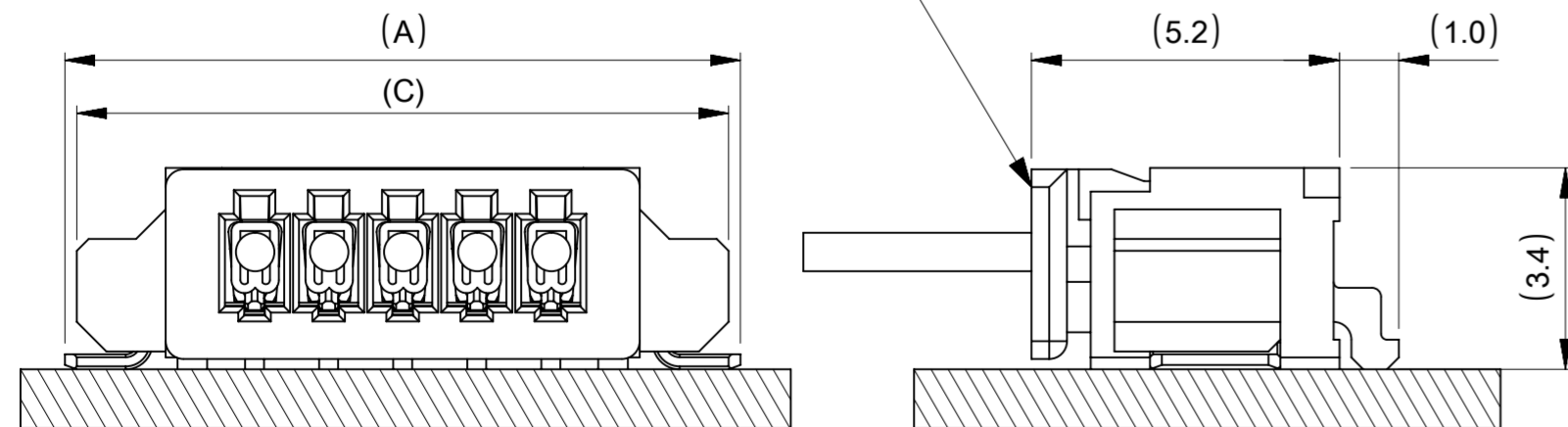
(参考 : 基板厚 1.0mm, メタルマスク厚さ: 0.15mm, マスク開口率: 100%)

(REFERENCE : P.C.B THICKNESS 1.0mm, STENCIL THICKNESS: 0.15mm, APERTURE: 100%)



: パターンおよびはんだ禁止エリア
RESTRICTED AREA
NO PCB COMPONENTS AND SOLDER ALLOWED

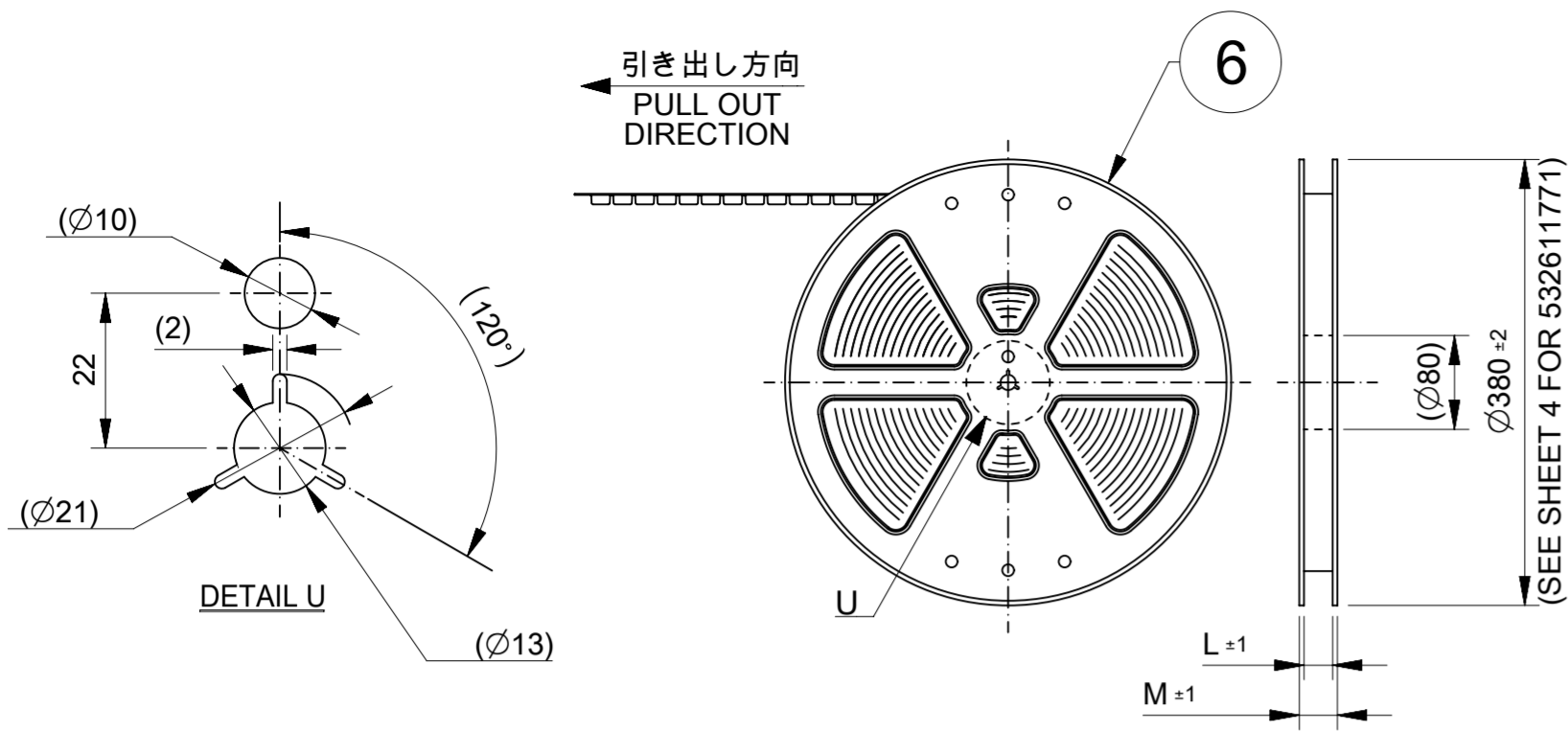
嵌合相手 : 51021 シリーズ
MATE WITH : 51021 SERIES



嵌合図
MATED CONNECTOR

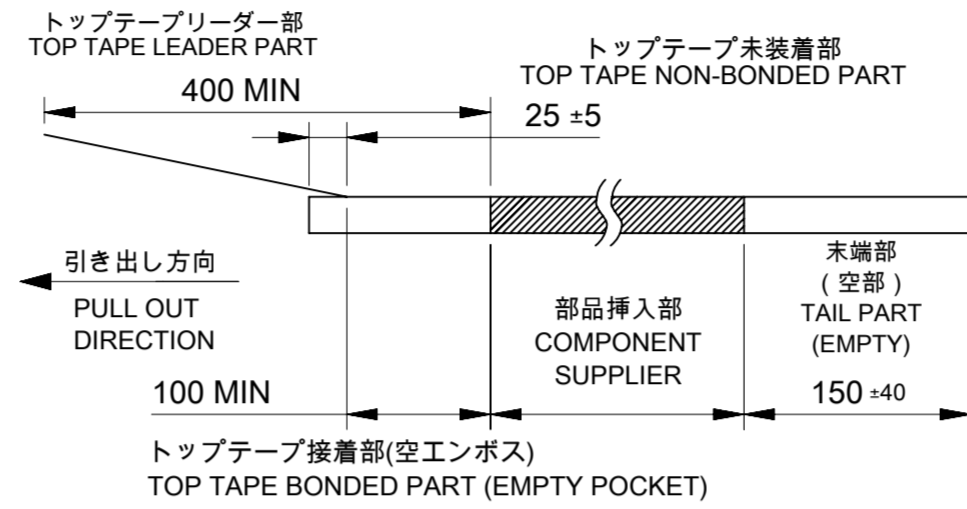
21.8	23	26	20	26.4	17
19.3	20.5	23.5	17.5	23.9	15
18.05	19.25	22.25	16.25	22.65	14
16.8	18	21	15	21.4	13
15.55	16.75	19.75	13.75	20.15	12
14.3	15.5	18.5	12.5	18.9	11
13.05	14.25	17.25	11.25	17.65	10
11.8	13	16	10	16.4	9
10.55	11.75	14.75	8.75	15.15	8
9.3	10.5	13.5	7.5	13.9	7
8.05	9.25	12.25	6.25	12.65	6
6.8	8	11	5	11.4	5
5.55	6.75	9.75	3.75	10.15	4
4.3	5.5	8.5	2.5	8.9	3
3.05	4.25	7.25	1.25	7.65	2
E	D	C	B	A	極数 CIRCUIT SIZE

THIS DRAWING CONTAINS INFORMATION THAT IS PROPRIETARY TO MOLEX ELECTRONIC TECHNOLOGIES, LLC AND SHOULD NOT BE USED WITHOUT WRITTEN PERMISSION									
DIMENSION UNITS		SCALE		CURRENT REV DESC:					
mm		NTS							
GENERAL TOLERANCES (UNLESS SPECIFIED)				<p>molex</p> <p>PICOBLADE 1.25 SMT RIGHT ANGLE TIN PLATING TYPE</p> <p>PRODUCT CUSTOMER DRAWING</p>					
ANGULAR TOL		± 3.0°							
4 PLACES		± 0.2							
3 PLACES		± 0.2							
2 PLACES		± 0.2							
1 PLACE		± 0.2							
0 PLACES		± 0.2							
DRAFT WHERE APPLICABLE MUST REMAIN WITHIN DIMENSIONS				THIRD ANGLE PROJECTION		DRAWING		SERIES	
						A2-SIZE		53261	
DOCUMENT NUMBER				CUSTOMER		SHEET NUMBER			
532610001-SD				GENERAL		2 OF 4			



注釈 NOTE

- 9. 梱包数量: 1600個/リール (532611771についてはSHEET 4を参照)
NUMBER OF CONNECTOR: 1600PCS/REEL
(SEE SHEET 4 FOR 532611771)
- 10. リードテープ長さ(532611771についてはSHEET 4を参照)
LEAD TAPE LENGTH (SEE SHEET 4 FOR 532611771)



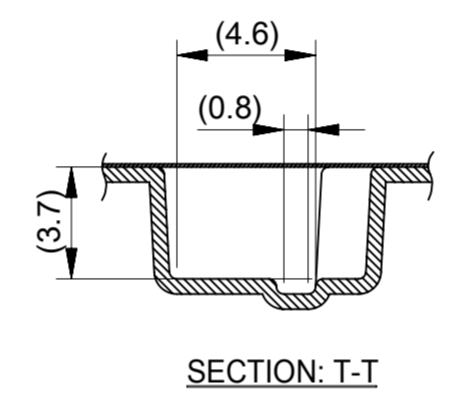
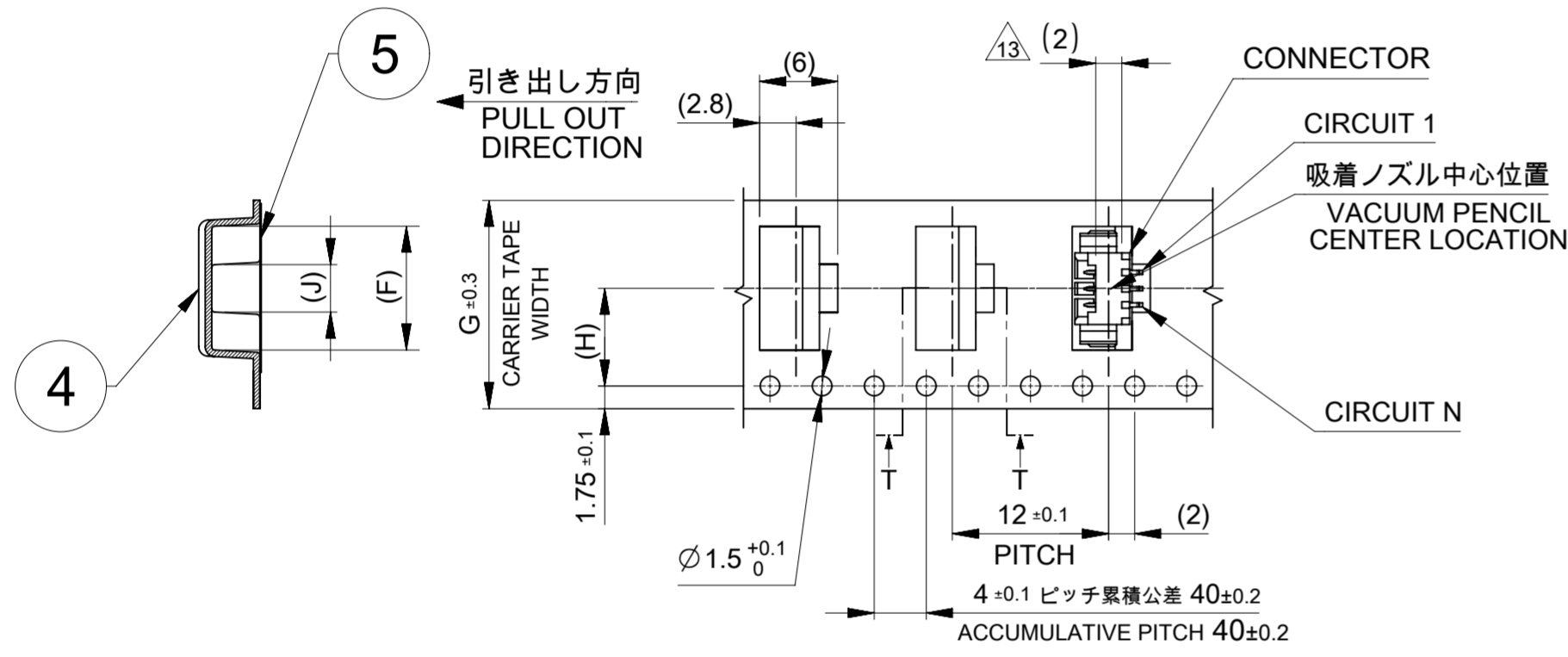
△11 発注番号
ORDER NUMBER
53261****

極数
CIRCUIT

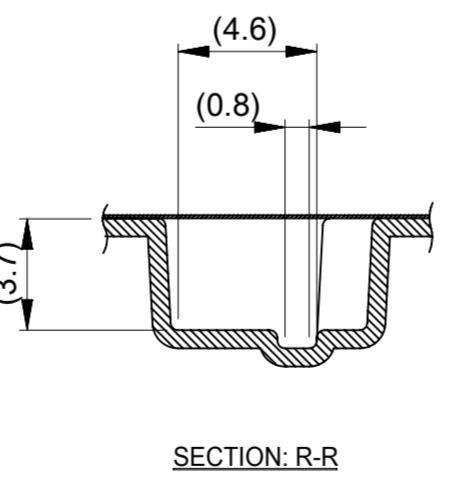
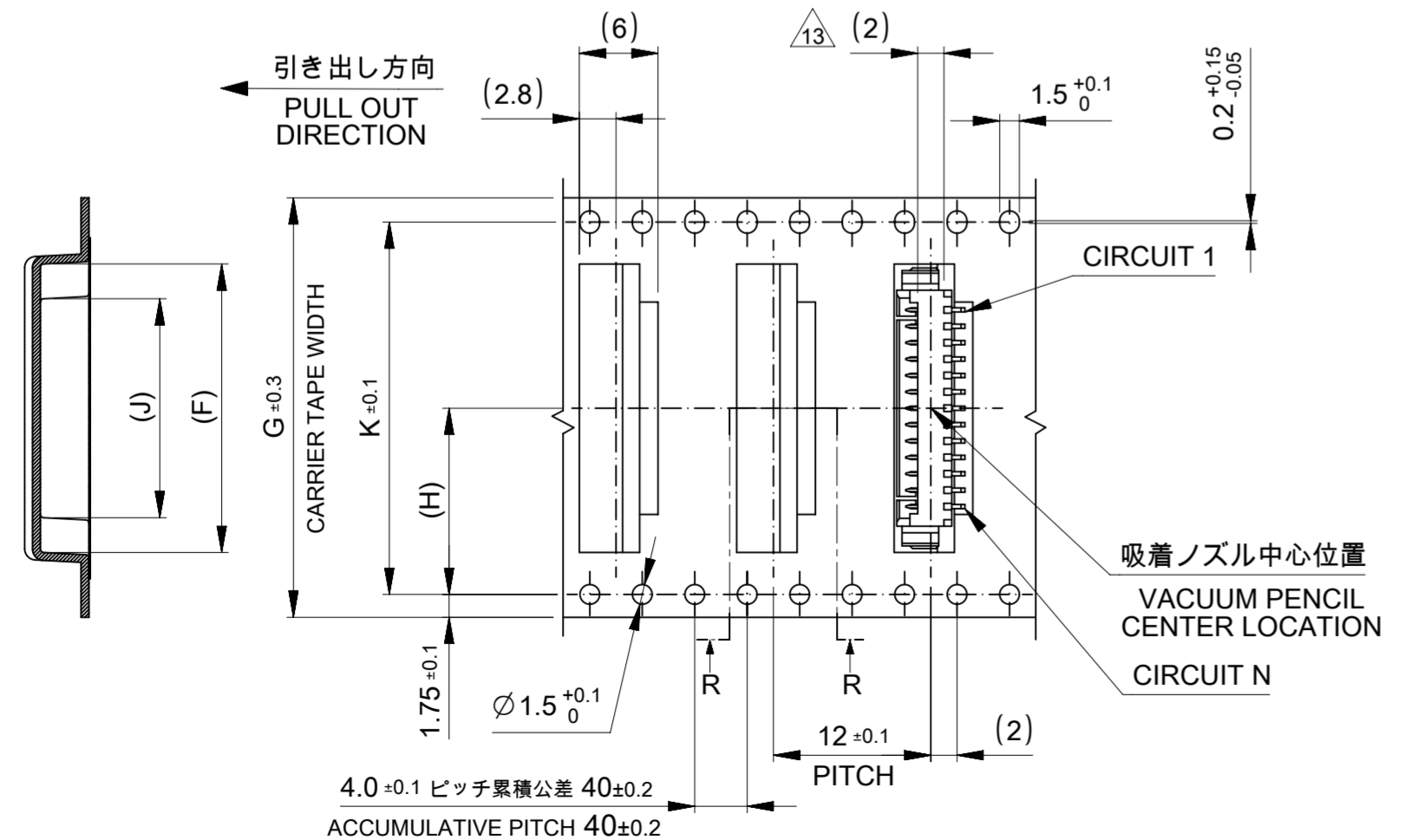
- △12 材料: TABLE 2参照
MATERIAL: REFER TO TABLE 2
- △13 コネクタハウジング平面部
CONNECTOR HOUSING FLAT AREA.
- 14. トップテープの剥離強度はIEC 60286-3に準拠。
TOP TAPE PEELING FORCE IS DEFINED BY IEC 60286-3.
- 15. 本製品は乾燥剤入りハイバリア梱包仕様である。
THIS PRODUCT IS HIGH BARRIER PACKAGE WITH DESICCANT.

△12 **TABLE2**

番号 NO.	部品 PART	材質 MATERIAL
④	キャリアテープ CARRIER TAPE	MXL生産分: ポリプロピレン(PP) PROCEED BY MXL: POLYPROPYLENE(PP) MXK生産分: ポリスチレン(PS) PROCEED BY MXK: POLYSTYRENE(PS)
⑤	トップテープ TOP TAPE	ポリエチレンテレフタレート (PET)、その他 POLYETHYLENE TEREPHTHALATE (PET), ETC
⑥	リール REEL	ポリスチレン(PS) <リサイクル材を含む> POLYSTYRENE(PS) <RECYCLE MATERIAL CONTAINED >



16mm幅(2~3極用)および24mm幅(4~10極用)キャリアテープ
16mm (FOR 2~3 CIRCUIT) OR 24mm (FOR 4~10 CIRCUIT) WIDTH CARRIER TAPE



32mm幅(11~13極用)および44mm幅(14~15, 17極用)キャリアテープ
32mm (FOR 11~13 CIRCUIT) OR 44mm (FOR 14~15, 17 CIRCUIT) WIDTH CARRIER TAPE

49.4	45.4	40.4	21.2		27	17
			18.7	20.2	42	15
			17.45		23.25	14
37.4	33.4	28.4	16.2		22	13
			14.95	14.2	32	12
			13.7		19.5	11
			12.45		18.25	10
			11.2		17	9
			9.95		15.75	8
			8.7	11.5	24	7
			7.45		14.5	6
			6.2		12	5
			4.95		10.75	4
21.4	17.4	-	3.7	7.5	16	3
			2.45		8.25	2
M	L	K	J	H	キャリアテープ幅 G CARRIER TAPE WIDTH G	極数 CIRCUIT SIZE

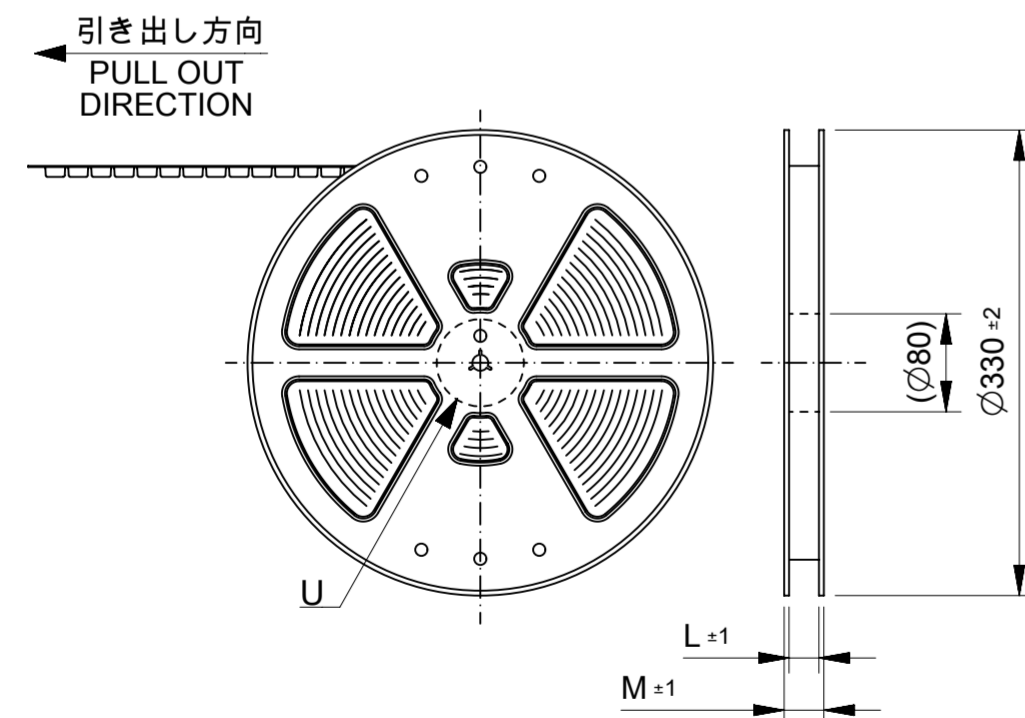
THIS DRAWING CONTAINS INFORMATION THAT IS PROPRIETARY TO MOLEX ELECTRONIC TECHNOLOGIES, LLC AND SHOULD NOT BE USED WITHOUT WRITTEN PERMISSION

DIMENSION UNITS	SCALE	CURRENT REV DESC:	molex		
mm	NTS				
GENERAL TOLERANCES (UNLESS SPECIFIED)			PICOBLADE 1.25 SMT RIGHT ANGLE TIN PLATING TYPE		
ANGULAR TOL	± 3.0°	EC NO: 744677	PRODUCT CUSTOMER DRAWING		
4 PLACES	± 0.2	DRWN: SSATO02	2022/12/16	DOCUMENT NUMBER	
3 PLACES	± 0.2	CHK'D: AIDA	2023/07/24	532610001-SD	DOC TYPE DOC PART REVISION
2 PLACES	± 0.2	APPR: MARAI	2023/07/24	PSD	000 E
1 PLACE	± 0.2	INITIAL REVISION:	2021/12/15	MATERIAL NUMBER	
0 PLACES	± 0.2	DRWN: QHE31	2021/12/24	SEE CHART	CUSTOMER
DRAFT WHERE APPLICABLE MUST REMAIN WITHIN DIMENSIONS		THIRD ANGLE PROJECTION	DRAWING	SERIES	SHEET NUMBER
			A2-SIZE	53261	3 OF 4

△ 適合製品及び各種仕様書
 APPLICABLE PRODUCTS AND SPECIFICATIONS

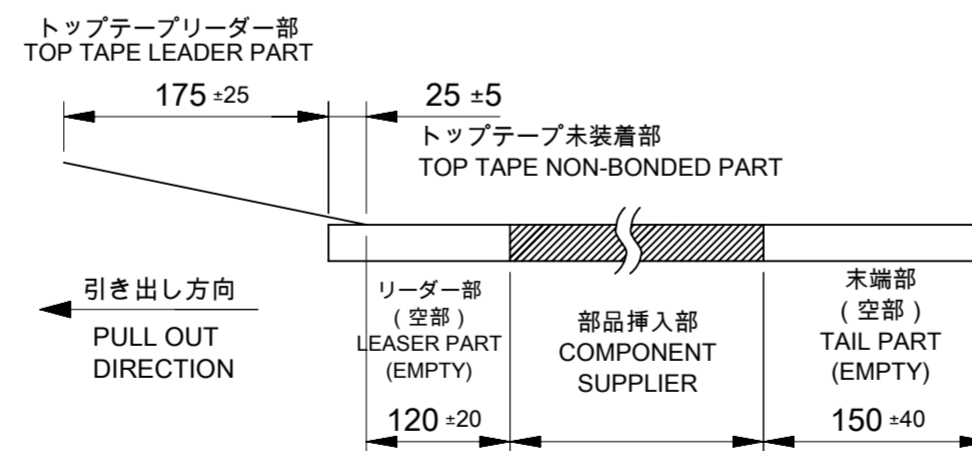
梱包仕様書 PACKING SPECIFICATION	PART NUMBER		SPECIFICATION NUMBER	
	53261**71 / 53261**27		SPK-53261-002 532619200-SPK (ONLY 532611771)	
適合ハウジング APPLICABLE HOUSING	PART NUMBER			
	51021**00			
適合圧着端子 APPLICABLE TERMINAL	PLATING	TIN		
	PART NUMBER	500798*00	500588*00	500798001
	WIRE SIZE (AWG)	#26-28	#28-32	#26-28
製品仕様書 PRODUCT SPECIFICATION	PS-51021-024 PS 001		510211124-PS PS 000	
アプリケーション仕様書 (取扱説明書) APPLICATION SPECIFICATION	510210000-AS PS 000			

532611771に適用
 APPLIES TO 532611771



17. 梱包数量: 1000個/リール
 NUMBER OF CONNECTOR: 1000PCS/REEL

18. リードテープ長さ
 LEAD TAPE LENGTH



THIS DRAWING CONTAINS INFORMATION THAT IS PROPRIETARY TO MOLEX ELECTRONIC TECHNOLOGIES, LLC AND SHOULD NOT BE USED WITHOUT WRITTEN PERMISSION												
DIMENSION UNITS	SCALE	CURRENT REV DESC:			molex							
mm	NTS											
GENERAL TOLERANCES (UNLESS SPECIFIED)					PICOBLADE 1.25 SMT RIGHT ANGLE TIN PLATING TYPE							
ANGULAR TOL	± 3.0°	EC NO: 744677			PRODUCT CUSTOMER DRAWING							
4 PLACES	± 0.2	DRWN: SSATO02			2022/12/16							
3 PLACES	± 0.2	CHK'D: AIDA			2023/07/24							
2 PLACES	± 0.2	APPR: MARAI			2023/07/24							
1 PLACE	± 0.2	INITIAL REVISION:			DOCUMENT NUMBER							
0 PLACES	± 0.2	DRWN: QHE31			2021/12/15			532610001-SD		PSD	000	E
DRAFT WHERE APPLICABLE MUST REMAIN WITHIN DIMENSIONS		THIRD ANGLE PROJECTION	DRAWING	SERIES	MATERIAL NUMBER	CUSTOMER	SHEET NUMBER					
			A2-SIZE	53261	SEE CHART	GENERAL	4 OF 4					

10 9 8 7 6 5 4 3 2 1

F

F

E

E

D

D

C

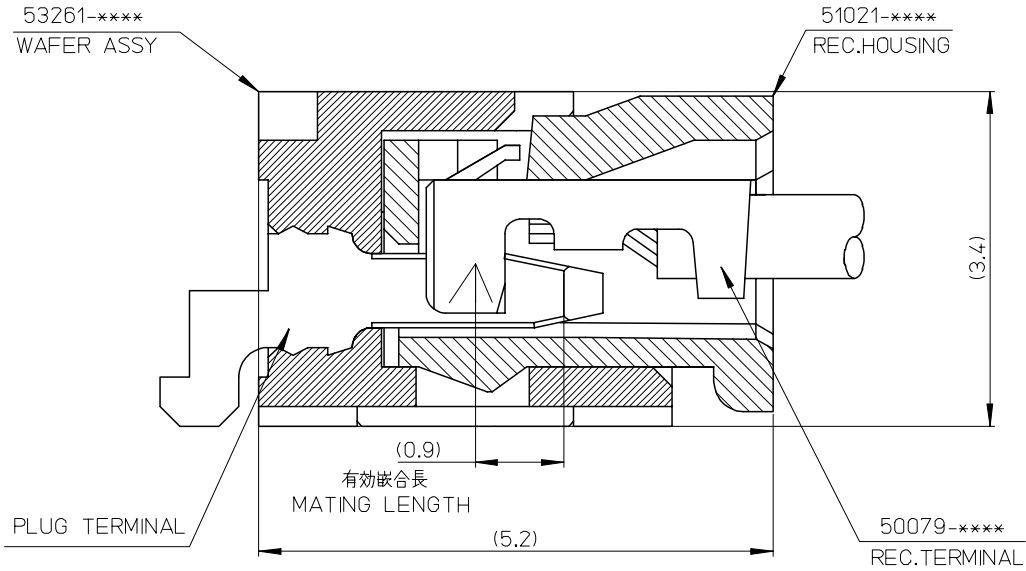
C

B

B

A

A



53261-****	WAFER ASSY	MODEL NO./MATERIAL NO.
50079-****	TERMINAL	
51021-****	HOUSING	

RELEASED EC NO: J2006-2426 DRWN: A0YAGI 2006/02/02 CHKD: YMAEDA 2006/02/03 APPR: NUKITA 2006/02/07	GENERAL TOLERANCES (UNLESS SPECIFIED)		DIMENSION STYLE MM ONLY		SCALE ---	DESIGN UNITS METRIC	THIRD ANGLE PROJECTION		
	10 UNDER	± ---	DRAWN BY Y. A0YAGI	DATE 2006/01/30	TITLE 1.25 W-TO-B CONN. 51021,53261 MATING CROSS SECTION				
	10 OVER 30 UNDER	± ---	CHECKED BY Y. MAEDA	DATE 2006/01/30	MOLEX INCORPORATED				
	30 OVER	± ---	APPROVED BY N. UKITA	DATE 2006/01/30	MATERIAL NO. SEE CHART		DOCUMENT NO. SD-51021-002	SHEET NO. 1 OF 1	
	ANGULAR	± --- °	THIS DRAWING CONTAINS INFORMATION THAT IS PROPRIETARY TO MOLEX INCORPORATED AND SHOULD NOT BE USED WITHOUT WRITTEN PERMISSION						
DRAFT WHERE APPLICABLE MUST REMAIN WITHIN DIMENSIONS									