

	33	31.05	29	52808-3029	30
	32	30.05	28	-2929	29
	31	29.05	27	-2829	28
	30	28.05	26	-2729	27
	29	27.05	25	-2629	26
	28	26.05	24	-2529	25
	27	25.05	23	-2429	24
	26	24.05	22	-2329	23
	25	23.05	21	-2229	22
	24	22.05	20	-2129	21
	23	21.05	19	-2029	20
	22	20.05	18	-1929	19
	21	19.05	17	-1829	18
	20	18.05	16	-1729	17
	19	17.05	15	-1629	16
	18	16.05	14	-1529	15
	17	15.05	13	-1429	14
	16	14.05	12	-1329	13
	15	13.05	11	-1229	12
	14	12.05	10	-1129	11
	13	11.05	9	-1029	10
	12	10.05	8	-0929	9
	11	9.05	7	-0829	8
	10	8.05	6	-0729	7
	9	7.05	5	-0629	6
	8	6.05	4	-0529	5
	7	5.05	3	52808-0429	4
G	C	B	A	MATERIAL NO.	極数 CIRCUIT

注記
NOTES:

1. 使用材料 MATERIAL
 ハウジング : PPS, UL94V-0 HOUSING : PPS, UL94V-0
 ターミナル : リン青銅 TERMINAL : PHOSPHOR BRONZE
 メッキ : ニッケル下地 錫ヒスマスメッキ PLATING : TIN-BISMUTH OVER NICKEL PLATING
 テープ : ポリイミド (t=50μm) TAPE : PI (t=50μm)

△ 基準面 [E] からのソルダーテールの半田付け面のズレ量は、
 上方向に0.1MAX. 下方向0.15MAX. とする。
 MISALIGNMENT OF SOLDER TAIL FROM [E]
 : UPPER DIRECTION 0.1 MAX. , LOWER DIRECTION 0.15 MAX.

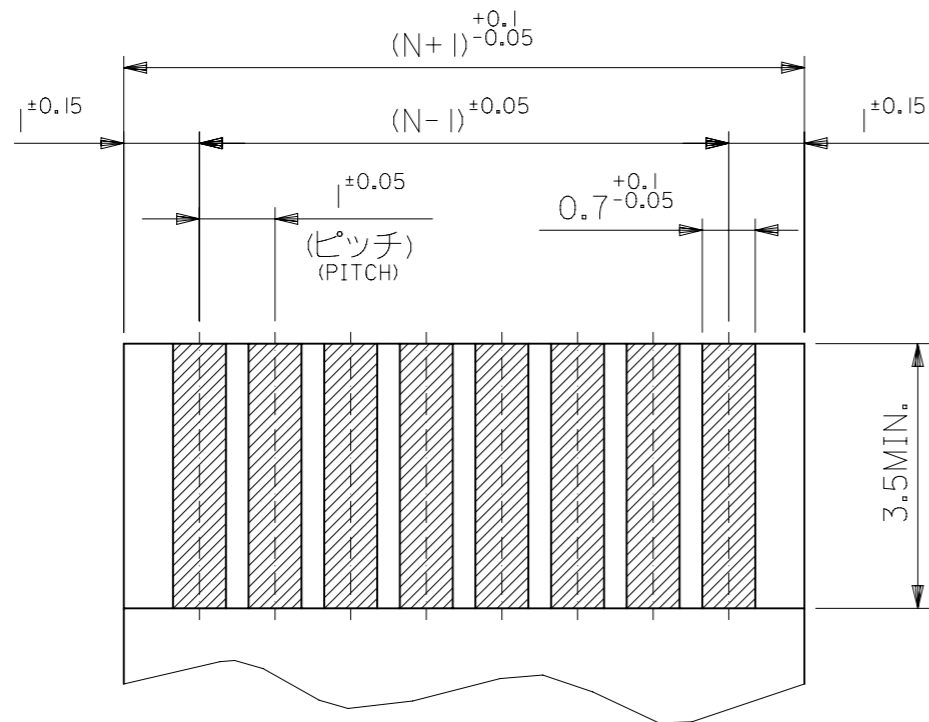
△ 偶数極に適用。
 APPLY FOR EVEN CKT.

4. 本製品は 52808-**-20 の鉛フリー品である。
 THIS PRODUCT IS LEAD FREE OF 52808-**-20.

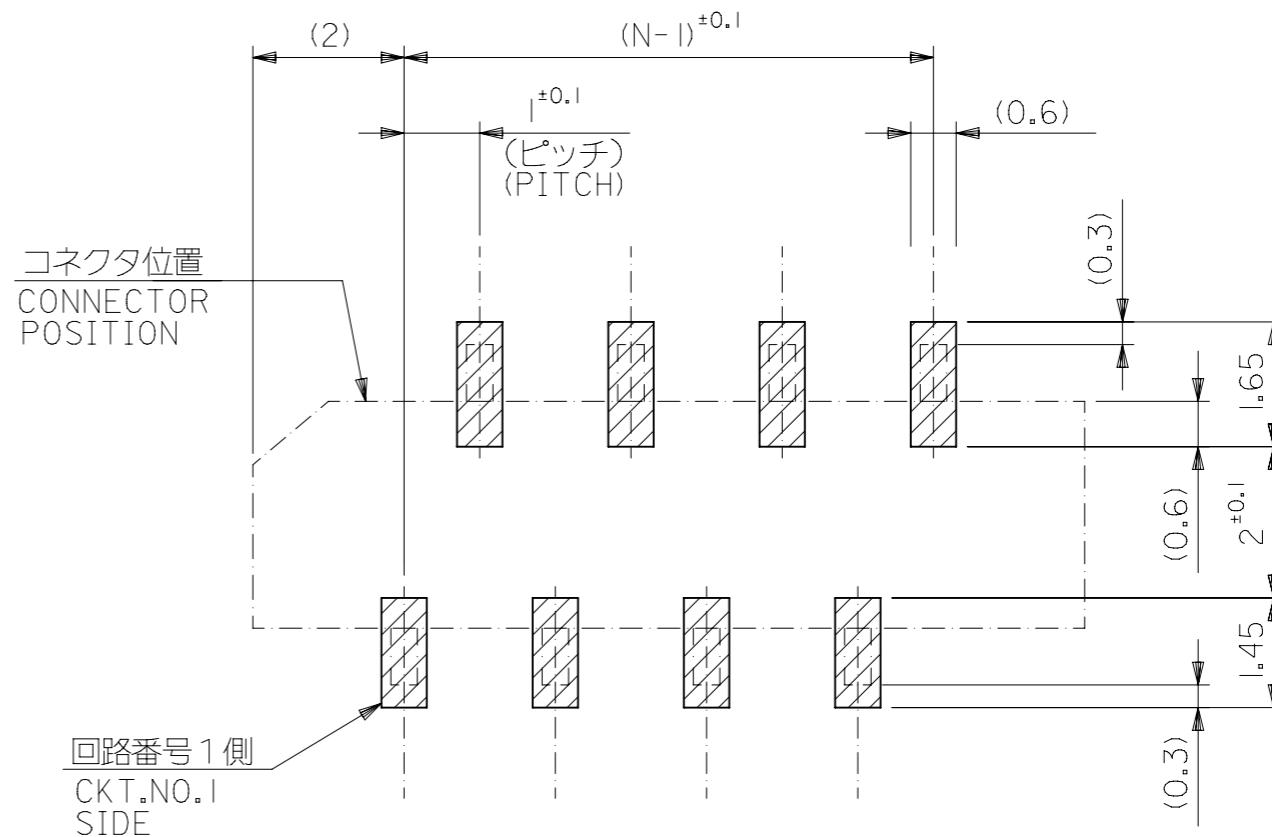
FPCについて:
 打抜き方向は導体側から補強板を推奨致します。
 補強フィルム材質はポリイミドを推奨致します。
 接着剤は熱硬化接着剤を推奨致します。

ABOUT FPC:
 RECOMMENDED PUNCHER DIRECTION : FROM CONDUCTOR SIDE TO STIFFENER BOARD SIDE.
 RECOMMENDED MATERIAL :
 STIFFENER FILM : POLYIMIDE
 BONDING AGENT : THERMOSETTING BONDING AGENT

GENERAL TOLERANCES (UNLESS SPECIFIED)		DIMENSION UNITS		SCALE	CURRENT REV DESC.		
0.25 UNDER	UNDER	±0.03	mm	10:1	EC NO: 760212		
0.25 OVER	0.5 UNDER	±0.05	GENERAL TOLERANCES (UNLESS SPECIFIED)		DRWN: RAJMOK 2023/08/03		
0.5 OVER	1.0 UNDER	±0.1	ANGULAR TOL ± 3.0°		CHK'D: HSHIMOYAMA 2023/08/21		
1.0 OVER	10 UNDER	±0.2	4 PLACES ±		APPR: YNAITO 2023/08/21		
10 OVER	30 UNDER	±0.25	3 PLACES ±		INITIAL REVISION:		
30 OVER		±0.3	2 PLACES ±		DRWN: MNINOMIYA 2004/02/18		
DRAFT WHERE APPLICABLE MUST REMAIN WITHIN DIMENSIONS			THIRD ANGLE PROJECTION		APPR: MSASAO 2004/02/19		
DRAWING		SERIES		MATERIAL NUMBER		CUSTOMER	
A3-SIZE		52808		SEE TABLE		GENERAL MARKET	



(仕上がり厚さ0.3^{±0.03})
THICKNESS
適合FPC/FFC推奨寸法
APPLICABLE FPC/FFC
RECOMMENDED DIMENSION.



参考基板レイアウト (マウント面)
RECOMMENDED P.C.BOARD
PATTERN DIMENSION. (REF.)
(MOUNTING AREA)

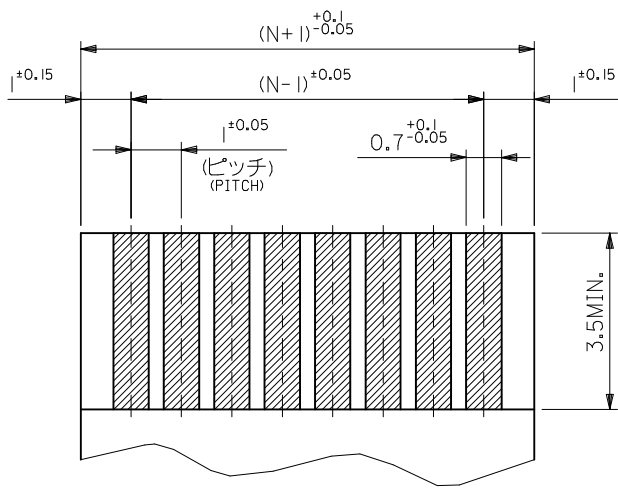
THIS DRAWING CONTAINS INFORMATION THAT IS PROPRIETARY TO MOLEX ELECTRONIC TECHNOLOGIES, LLC AND SHOULD NOT BE USED WITHOUT WRITTEN PERMISSION

GENERAL TOLERANCES (UNLESS SPECIFIED)		
0.25 ^{UNDER}	UNDER	±0.03
0.25 ^{OVER}	0.5 UNDER	±0.05
0.5 OVER	1.0 UNDER	±0.1
1.0 OVER	10 UNDER	±0.2
10 OVER	30 UNDER	±0.25
30 OVER		±0.3

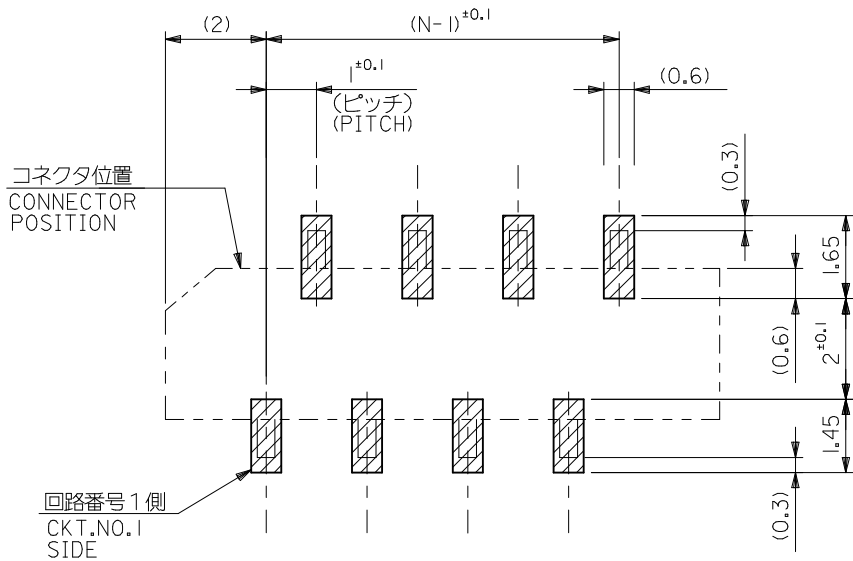
DIMENSION UNITS	SCALE	CURRENT REV DESC.
mm	10:1	
GENERAL TOLERANCES (UNLESS SPECIFIED)		
ANGULAR TOL	± 3.0°	
4 PLACES	±	
3 PLACES	±	
2 PLACES	±	
1 PLACE	±	
0 PLACES	±	
DRAFT WHERE APPLICABLE MUST REMAIN WITHIN DIMENSIONS		
THIRD ANGLE PROJECTION		
DRAWING	SERIES	
A3-SIZE	52808	

molex			
1.0 FFC CONN. NON ZIF SMT ST (WITH TAPE) -LEAD FREE-			
PRODUCT CUSTOMER DRAWING			
DOCUMENT NUMBER	DOC TYPE	DOC PART	REVISION
SD-52808-025	PSD	001	F
MATERIAL NUMBER	CUSTOMER	SHEET NUMBER	
SEE SHEET-1	GENERAL MARKET	2 OF 2	

EC NO: 760212
DRWN: RAJMOK
CHK'D: HSHIMOYAMA
APPR: YNAITO
INITIAL REVISION:
DRWN: MNINOMIYA
APPR: MSASAO



(仕上がり厚さ0.3^{+0.03})
THICKNESS
適合FPC/FFC推奨寸法
APPLICABLE FPC/FFC
RECOMMENDED DIMENSION.

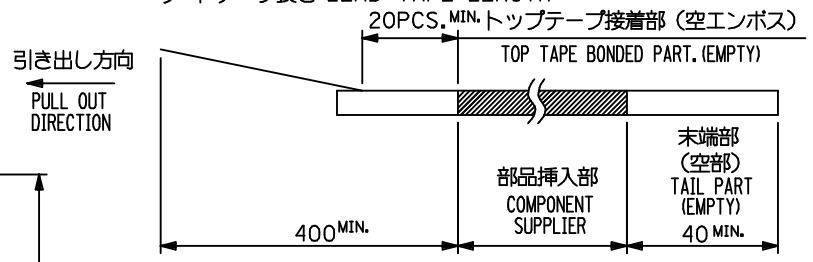


参考基板レイアウト (マウント面)
RECOMMENDED P.C.BOARD
PATTERN DIMENSION. (REF.)
(MOUNTING AREA)

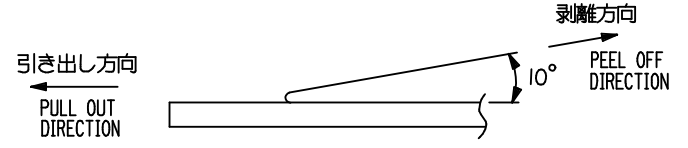
SEE SHEET 1 OF 2 EC NO.: J2015-0830 DRWN: SANUMA 2014/12/19 CHKD: TAKAHASHI 2015/02/06 APPR: YNOGAWA 2015/02/23	GENERAL TOLERANCES (UNLESS SPECIFIED)			DIMENSION STYLE MM ONLY		SCALE 10:1	DESIGN UNITS METRIC	THIRD ANGLE PROJECTION
	0.25 UNDER	UNDER	±0.03	DRAWN BY	DATE	TITLE		
	0.25 OVER	0.5 UNDER	±0.05	MNINOMIYA	2004/02/09	1.0 FFC CONN. NON ZIF SMT ST (WITH TAPE) -LEAD FREE-		
	0.5 OVER	1.0 UNDER	±0.1	CHECKED BY	DATE	molex		
	1.0 OVER	30 UNDER	±0.2	KTOJO	2004/02/09			
	10 OVER	30 UNDER	±0.25	APPROVED BY	DATE	DOCUMENT NO.		
30 OVER		±0.3	MSASAO	2004/02/09	SD-52808-025			
ANGULAR	±3 °		MATERIAL NO.		SHEET NO.			
DRAFT WHERE APPLICABLE MUST REMAIN WITHIN DIMENSIONS			SIZE A3		THIS DRAWING CONTAINS INFORMATION THAT IS PROPRIETARY TO MOLEX INCORPORATED AND SHOULD NOT BE USED WITHOUT WRITTEN PERMISSION			

NOTES

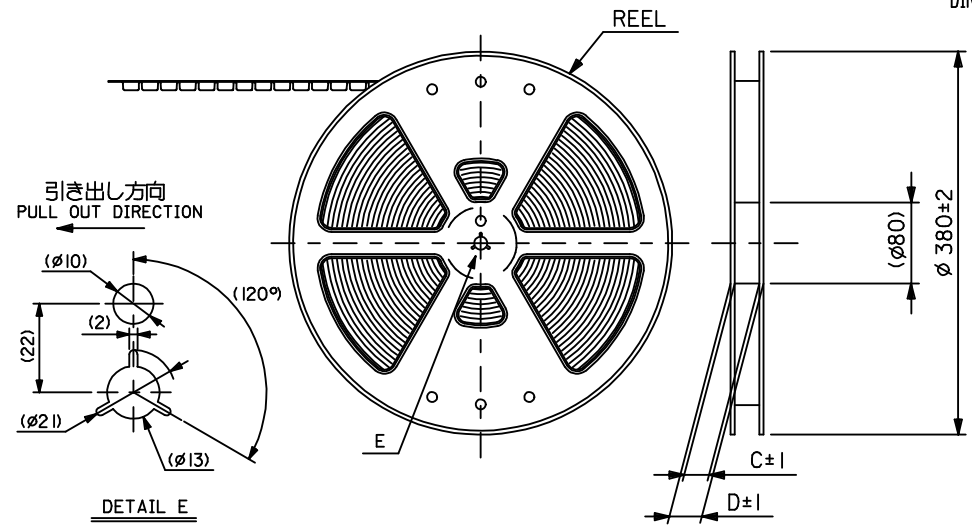
- 製品詳細寸法については図面 SD-52808-025 を参照下さい。
RE DETAILED DIMENSION, SEE SD-52808-025.
- 梱包数量：1000個/リール
NUMBER OF CONNECTORS : 1000PCS/REEL
- リードテープ長さ LEAD TAPE LENGTH



- トップテープの剥離強度：0.1N ~ 1.3N(10gf ~ 130gf)
(剥離方向は下図参照)
尚、本規格値は出荷時に適用。(但し、輸送時に剥離が発生しないこと。)
PEELING OFF FORCE OF TOP TAPE : 0.1N ~ 1.3N(10gf ~ 130gf)
(PEELING DIRECTION AS SHOWN IN FOLLOWING FIG.)
THIS REQUIREMENT SHOULD BE APPLIED AT SHIPMENT.
PEEL OFF SHOULD NOT BE ALLOWED , DURING TRANSPORTATION.

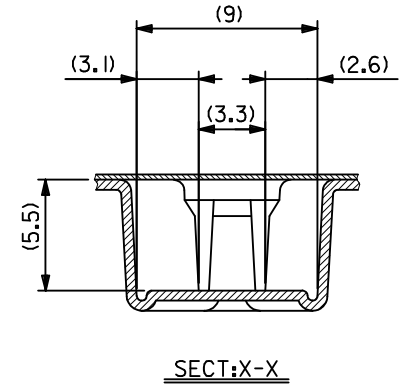
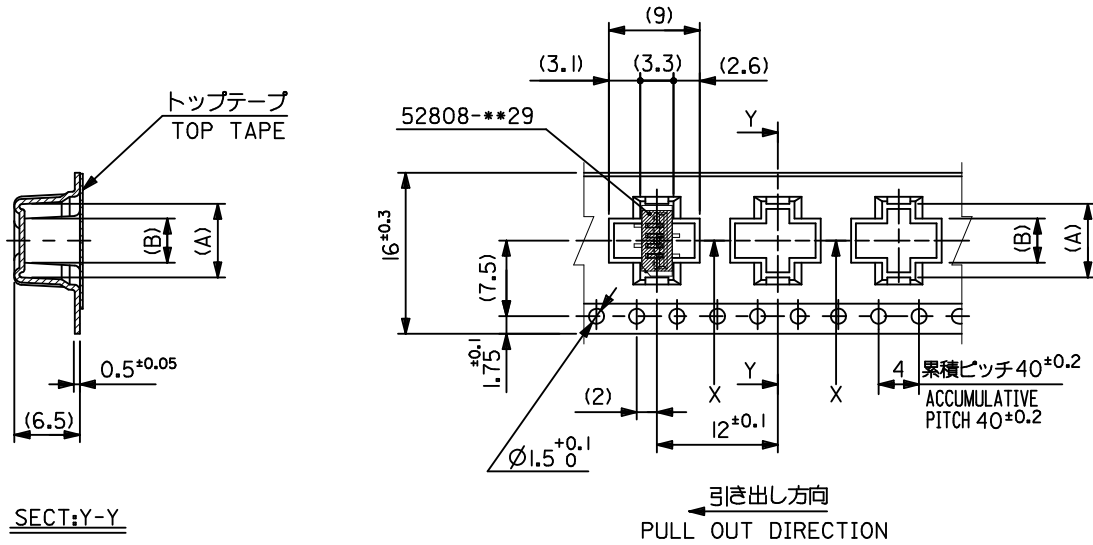


- 材料 (MATERIAL)
キャリアテープ (CARRIER TAPE) : ポリプロピレン (POLYPROPYLENE)
トップテープ (TOPTAPE) : PET , PE , PEF
リール (REEL) : ポリスチレン (PS) <リサイクル材を含む>
POLYSTYRENE (PS) <RECYCLE MATERIAL CONTAINED>
- MXI 製造製品は紙リールを使用すること。
ONLY MXI PRODUCT ITEM SHOULD USE CARD BOARD REEL.
- 本製品は 52808-***9I の鉛フリー品である。
THIS PRODUCT IS LEAD FREE OF 52808-***9I.



MODEL NO.	52808-***71
GENERAL TOLERANCES (UNLESS SPECIFIED)	DIMENSION STYLE MM ONLY
SCALE ---	DESIGN UNITS METRIC
THIRD ANGLE PROJECTION	

REVISED EC NO: J2015-0830 DRWN:NASUNUMA 2014/12/18 CHKD:KAKAHASHI 2015/02/06 APPR:YNOGAWA 2015/02/23	0.25 UNDER UNDER ±0.03	DRAWN BY DATE	TITLE 1.0 FFC CONN NON ZIF SMT ST WITH TAPE EMBSTP PKG -LEAD FREE- molex SD-52808-026
	0.25 OVER 0.5 UNDER ±0.05	MNINOMIYA 2004/02/09	
	0.5 OVER 1.0 UNDER ±0.1	CHECKED BY DATE	
	1.0 OVER 10 UNDER ±---	KTOJO 2004/02/09	
	10 OVER 30 UNDER ±---	APPROVED BY DATE	
	30 OVER ±---	MATERIAL NO.	
	ANGULAR ±--- °	DOCUMENT NO.	
DRAFT WHERE APPLICABLE MUST REMAIN WITHIN DIMENSIONS		SIZE A3	THIS DRAWING CONTAINS INFORMATION THAT IS PROPRIETARY TO MOLEX INCORPORATED AND SHOULD NOT BE USED WITHOUT WRITTEN PERMISSION



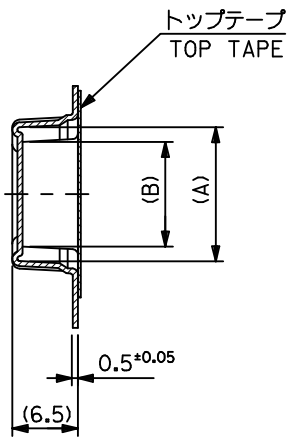
SECT:Y-Y

引き出し方向
PULL OUT DIRECTION

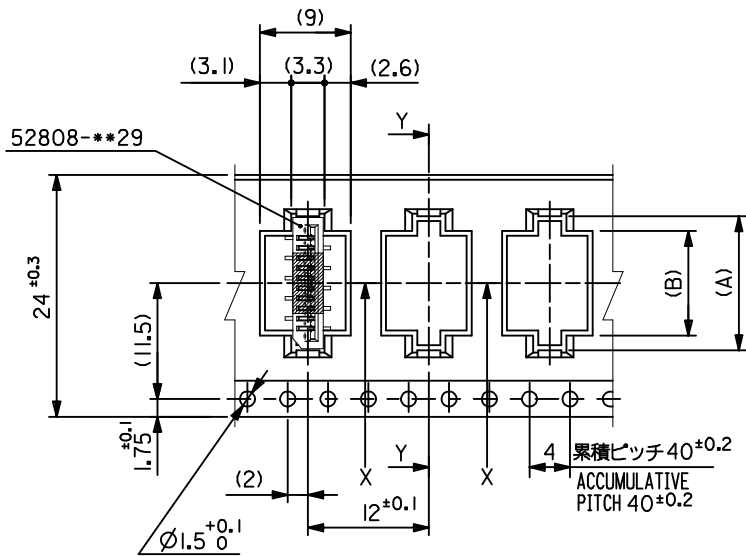
16mm幅キャリアテープ
16mm WIDTH CARRIER TAPE

16	21.4	17.4	5.4	8.3	52808-0571	5
			4.4	7.3	52808-0471	4
キャリアテープ幅 CARRIER TAPE WIDTH	D	C	(B)	(A)	MATERIAL NO.	種数 CKT.
MODEL NO.					52808-**-71	

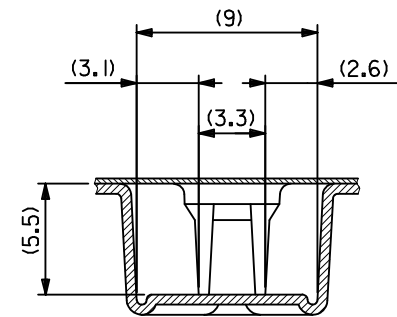
SEE SHEET 1 OF 6 EC NO.: J2015-0830 DRWN: SANUMA 2014/12/18 CHKD: TAKAHASHI 2015/02/06 APPR: YNOGAWA 2015/02/23	GENERAL TOLERANCES (UNLESS SPECIFIED)			DIMENSION STYLE MM ONLY		SCALE ---	DESIGN UNITS METRIC	THIRD ANGLE PROJECTION
	0.25 UNDER	UNDER	±0.03	DRAWN BY	DATE	TITLE		
	0.25 OVER	0.5 UNDER	±0.05	MNINOMIYA	2004/02/09	1.0 FFC CONN NON ZIF SMT ST WITH TAPE EMBSTP PKG -LEAD FREE-		
	0.5 OVER	1.0 UNDER	±0.1	CHECKED BY	DATE	molex		
	1.0 OVER	10 UNDER	±---	KTOJO	2004/02/09			
10 OVER	30 UNDER	±---	APPROVED BY	DATE	MATERIAL NO.	DOCUMENT NO.	SHEET NO.	
30 OVER		±---			SEE CHART	SD-52808-026	2 OF 6	
ANGULAR	±---	°	THIS DRAWING CONTAINS INFORMATION THAT IS PROPRIETARY TO MOLEX INCORPORATED AND SHOULD NOT BE USED WITHOUT WRITTEN PERMISSION					
DRAFT WHERE APPLICABLE MUST REMAIN WITHIN DIMENSIONS								



SECT:Y-Y



引き出し方向
PULL OUT DIRECTION

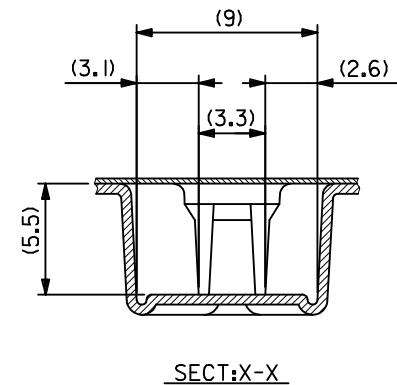
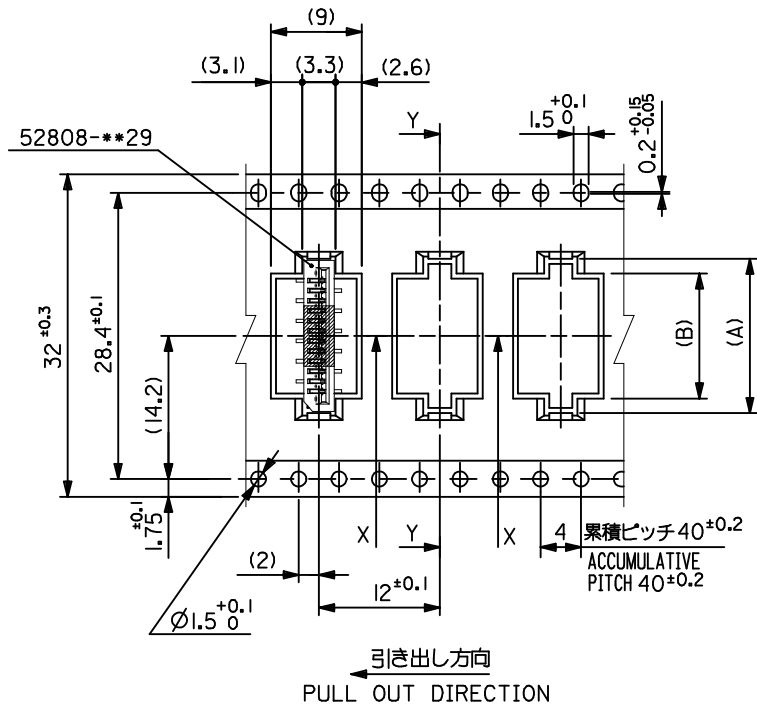
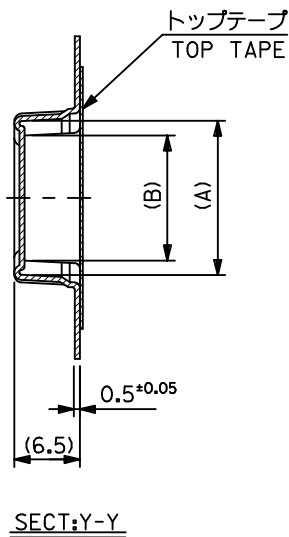


SECT:X-X

24mm幅キャリアテープ
24mm WIDTH CARRIER TAPE

24	29.4	25.4	10.4	13.3	52808-1071	10
			9.4	12.3	52808-0971	9
			8.4	11.3	52808-0871	8
			7.4	10.3	52808-0771	7
			6.4	9.3	52808-0671	6
キャリアテープ幅 CARRIER TAPE WIDTH	D	C	(B)	(A)	MATERIAL NO.	種数 CKT.
MODEL NO.			52808-**-71			

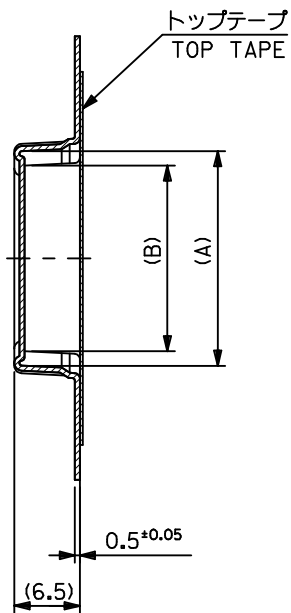
SEE SHEET 1 OF 6 EC NO.: J2015-0830 DRWN:NASANUMA 2014/12/18 CHKD:KATAHASHI 2015/02/06 APPR:YNOGAWA 2015/02/23	GENERAL TOLERANCES (UNLESS SPECIFIED)			DIMENSION STYLE MM ONLY		SCALE ---	DESIGN UNITS METRIC	THIRD ANGLE PROJECTION	
	0.25 UNDER	UNDER	±0.03	DRAWN BY	DATE	TITLE			
	0.25 OVER	0.5 UNDER	±0.05	MNINOMIYA	2004/02/09	1.0 FFC CONN NON ZIF SMT ST WITH TAPE EMBSTP PKG -LEAD FREE-			
	0.5 OVER	1.0 UNDER	±0.1	CHECKED BY	DATE	molex			
	1.0 OVER	10 UNDER	±---	KTOJO	2004/02/09				
	10 OVER	30 UNDER	±---	APPROVED BY	DATE	MATERIAL NO.	DOCUMENT NO.	SHEET NO.	
30 OVER		±---			SEE CHART	SD-52808-026	3 OF 6		
ANGULAR	±--- °		THIS DRAWING CONTAINS INFORMATION THAT IS PROPRIETARY TO MOLEX INCORPORATED AND SHOULD NOT BE USED WITHOUT WRITTEN PERMISSION						
DRAFT WHERE APPLICABLE MUST REMAIN WITHIN DIMENSIONS									



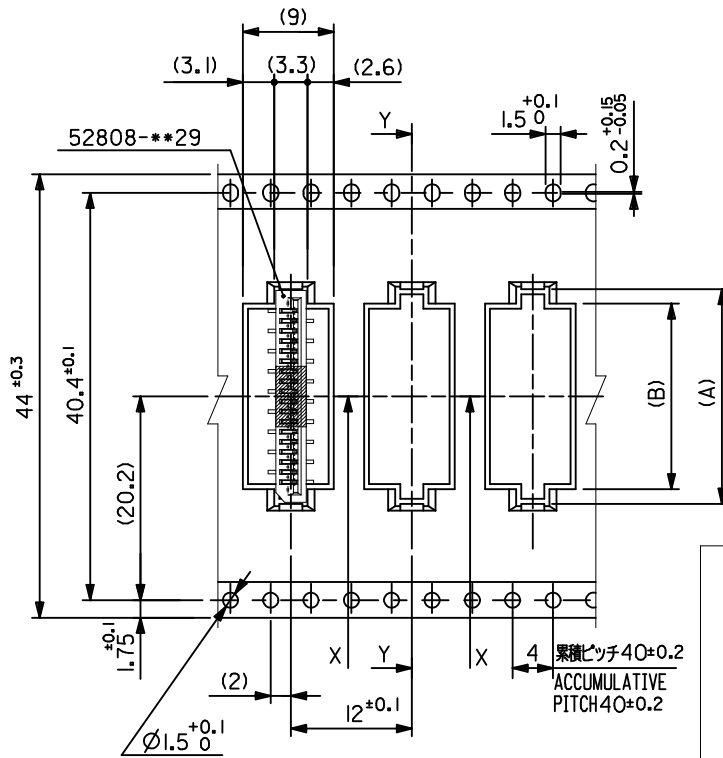
32mm幅キャリアテープ
32mm WIDTH CARRIER TAPE

32	37.4	33.4	15.4	18.3	52808-1571	15
			14.4	17.3	52808-1471	14
			13.4	16.3	52808-1371	13
			12.4	15.3	52808-1271	12
			11.4	14.3	52808-1171	11
キャリアテープ幅 CARRIER TAPE WIDTH	D	C	(B)	(A)	MATERIAL NO.	種数 CKT.
MODEL NO.			52808-**-71			

SEE SHEET 1 OF 6 EC NO.: J2015-0830 DRWN:NASANUMA 2014/12/18 CHKD:KAKAHASHI 2015/02/06 APPR:YNOGAWA 2015/02/23	GENERAL TOLERANCES (UNLESS SPECIFIED)			DIMENSION STYLE MM ONLY		SCALE ---	DESIGN UNITS METRIC	THIRD ANGLE PROJECTION	
	0.25 UNDER	UNDER	±0.03	DRAWN BY	DATE	TITLE			
	0.25 OVER	0.5 UNDER	±0.05	MNINOMIYA	2004/02/09	1.0 FFC CONN NON ZIF SMT ST WITH TAPE EMBSTP PKG -LEAD FREE-			
	0.5 OVER	1.0 UNDER	±0.1	CHECKED BY	DATE	molex			
	1.0 OVER	10 UNDER	±---	KTOJO	2004/02/09				
	10 OVER	30 UNDER	±---	APPROVED BY	DATE	MATERIAL NO.	DOCUMENT NO.	SHEET NO.	
30 OVER		±---			SEE CHART	SD-52808-026	4 OF 6		
ANGULAR	±---	°	THIS DRAWING CONTAINS INFORMATION THAT IS PROPRIETARY TO MOLEX INCORPORATED AND SHOULD NOT BE USED WITHOUT WRITTEN PERMISSION						
DRAFT WHERE APPLICABLE MUST REMAIN WITHIN DIMENSIONS									

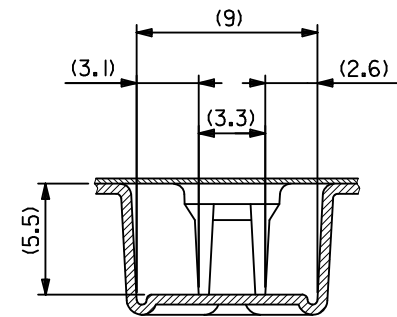


SECT:Y-Y



引き出し方向
PULL OUT DIRECTION

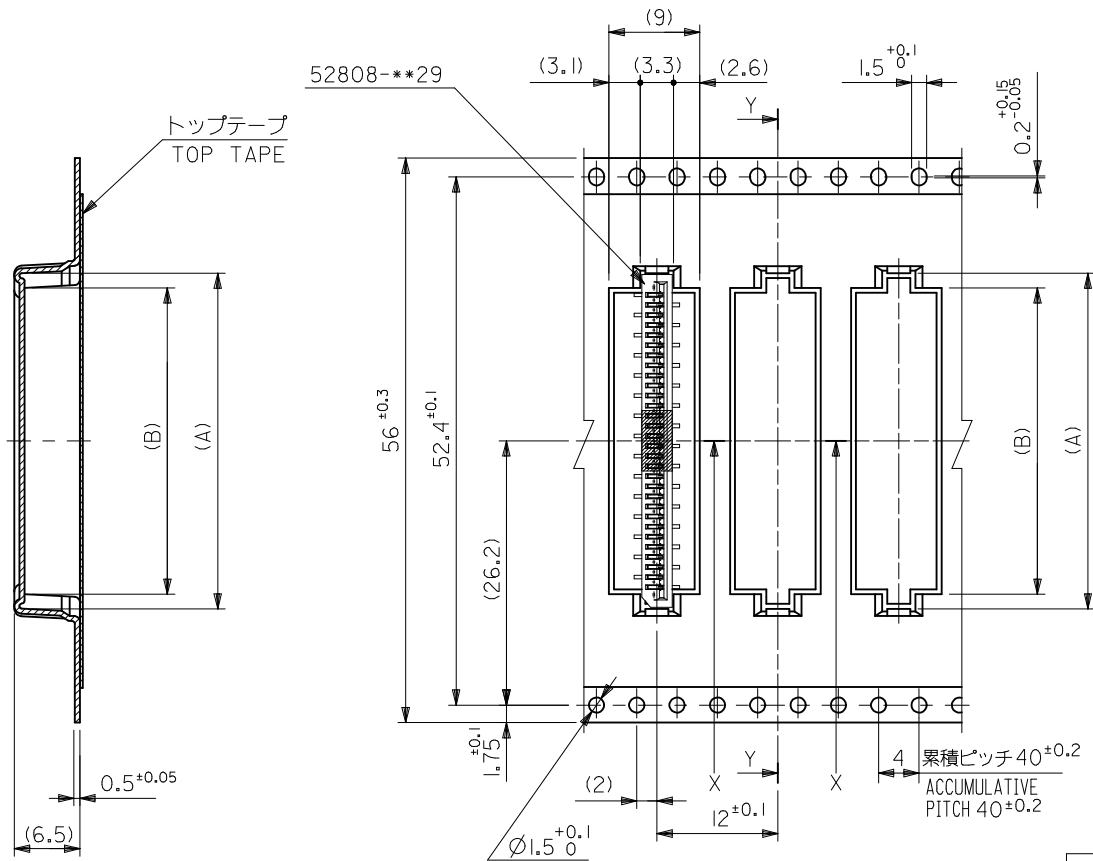
44mm幅キャリアテープ
44mm WIDTH CARRIER TAPE



SECT:X-X

44	49.4	45.4	28.4	31.3	52808-2871	28	
			27.4	30.3	52808-2771	27	
			26.4	29.3	52808-2671	26	
			25.4	28.3	52808-2571	25	
			24.4	27.3	52808-2471	24	
			23.4	26.3	52808-2371	23	
			22.4	25.3	52808-2271	22	
			21.4	24.3	52808-2171	21	
			20.4	23.3	52808-2071	20	
			19.4	22.3	52808-1971	19	
			18.4	21.3	52808-1871	18	
			17.4	20.3	52808-1771	17	
16.4	19.3	52808-1671	16				
キャリアテープ幅 CARRIER TAPE WIDTH			D	C	(B) (A)	MATERIAL NO.	種数 CKT.
MODEL NO.			52808-***71				

SEE SHEET 1 OF 6 EC NO.: J2015-0830 DRWN:NASUNUMA 2014/12/18 CHKD:KAKAHASHI 2015/02/06 APPR:YNOGAWA 2015/02/23	GENERAL TOLERANCES (UNLESS SPECIFIED)			DIMENSION STYLE MM ONLY		SCALE ---	DESIGN UNITS METRIC	THIRD ANGLE PROJECTION	
	0.25 UNDER	UNDER	±0.03	DRAWN BY	DATE	TITLE			
	0.25 OVER	0.5 UNDER	±0.05	MNINOMIYA	2004/02/09	1.0 FFC CONN NON ZIF SMT ST WITH TAPE EMBSTP PKG -LEAD FREE-			
	0.5 OVER	1.0 UNDER	±0.1	CHECKED BY	DATE	molex			
	1.0 OVER	10 UNDER	±---	KTOJO	2004/02/09				
	10 OVER	30 UNDER	±---	APPROVED BY	DATE	MATERIAL NO.	DOCUMENT NO.	SHEET NO.	
30 OVER		±---			SEE CHART	SD-52808-026	5 OF 6		
ANGULAR ±--- °			DRAFT WHERE APPLICABLE MUST REMAIN WITHIN DIMENSIONS		THIS DRAWING CONTAINS INFORMATION THAT IS PROPRIETARY TO MOLEX INCORPORATED AND SHOULD NOT BE USED WITHOUT WRITTEN PERMISSION				



SECT:Y-Y

引き出し方向
PULL OUT DIRECTION

56mm幅キャリアテープ
56mm WIDTH CARRIER TAPE

56	61.4	57.4	30.4	33.3	52808-3071	30
キャリアテープ幅 CARRIER TAPE WIDTH	D	C	(B)	(A)	52808-2971	29
MODEL NO.					52808-**71	
SCALE ---			DESIGN UNITS METRIC		THIRD ANGLE PROJECTION	

SEE SHEET 1 OF 6 EC NO: J2015-0830 DRWN:NASUNUMA 2014/12/18 CHKD:KAKAHASHI 2015/02/06 APPR:YNOGAWA 2015/02/23	GENERAL TOLERANCES (UNLESS SPECIFIED)			DIMENSION STYLE MM ONLY	
	0.25 UNDER	UNDER	±0.03	DRAWN BY	DATE
	0.25 OVER	0.5 UNDER	±0.05	MNINOMIYA	2004/02/09
	0.5 OVER	1.0 UNDER	±0.1	CHECKED BY	DATE
	1.0 OVER	10 UNDER	±---	KTOJO	2004/02/09
	10 OVER	30 UNDER	±---	APPROVED BY	DATE
30 OVER		±---	MATERIAL NO.	DOCUMENT NO.	
ANGULAR	±--- °		SEE CHART		
DRAFT WHERE APPLICABLE MUST REMAIN WITHIN DIMENSIONS			SIZE A3	THIS DRAWING CONTAINS INFORMATION THAT IS PROPRIETARY TO MOLEX INCORPORATED AND SHOULD NOT BE USED WITHOUT WRITTEN PERMISSION	

TITLE			1.0 FFC CONN NON ZIF SMT ST WITH TAPE EMBSTP PKG -LEAD FREE-			
MATERIAL NO.			SD-52808-026		SHEET NO. 6 OF 6	

