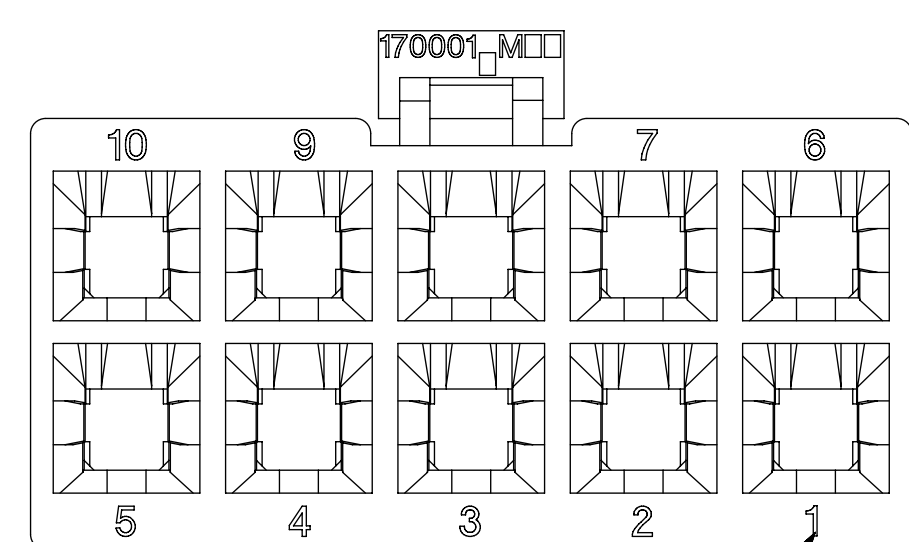
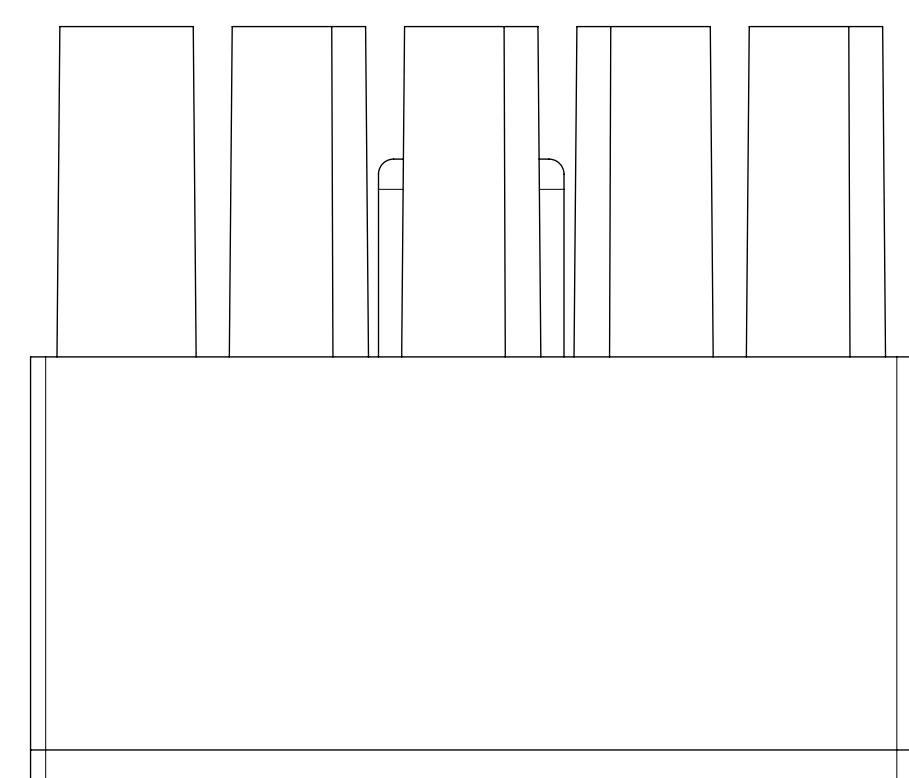
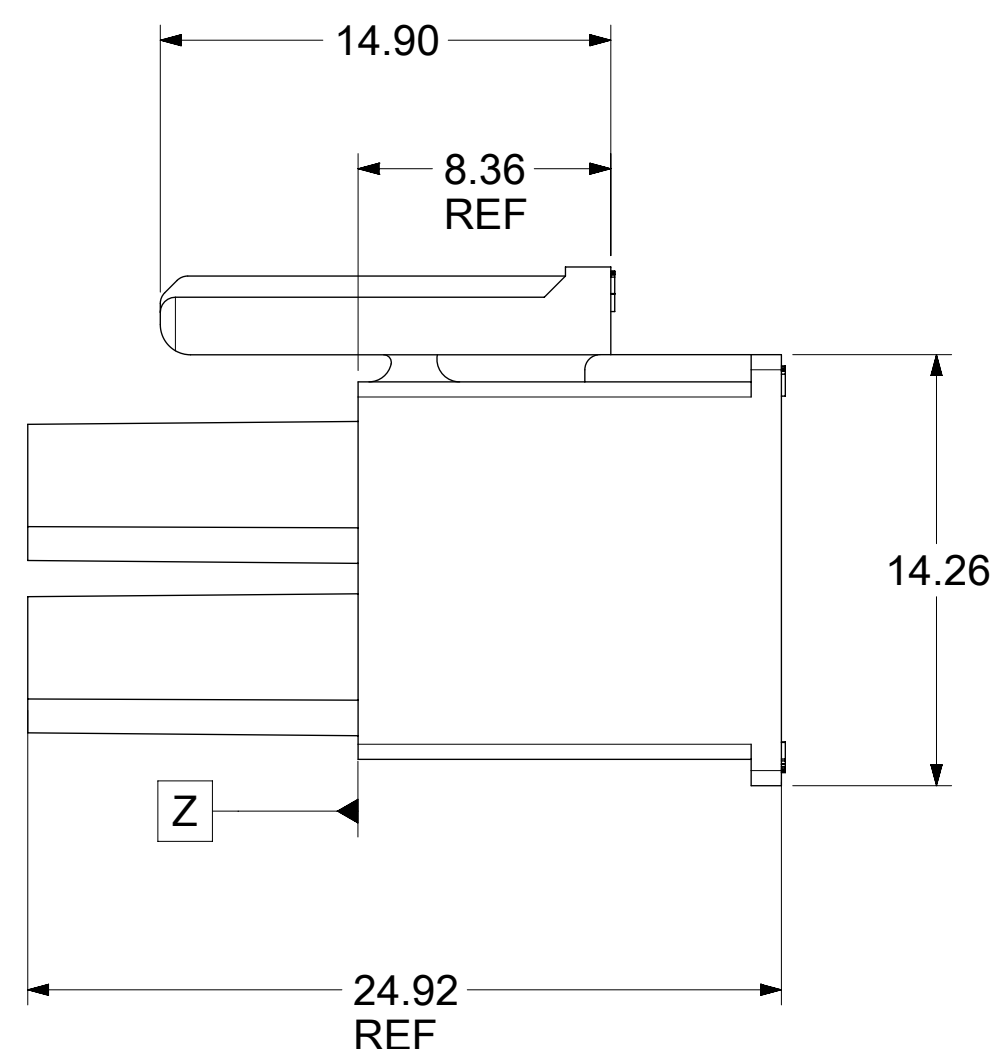
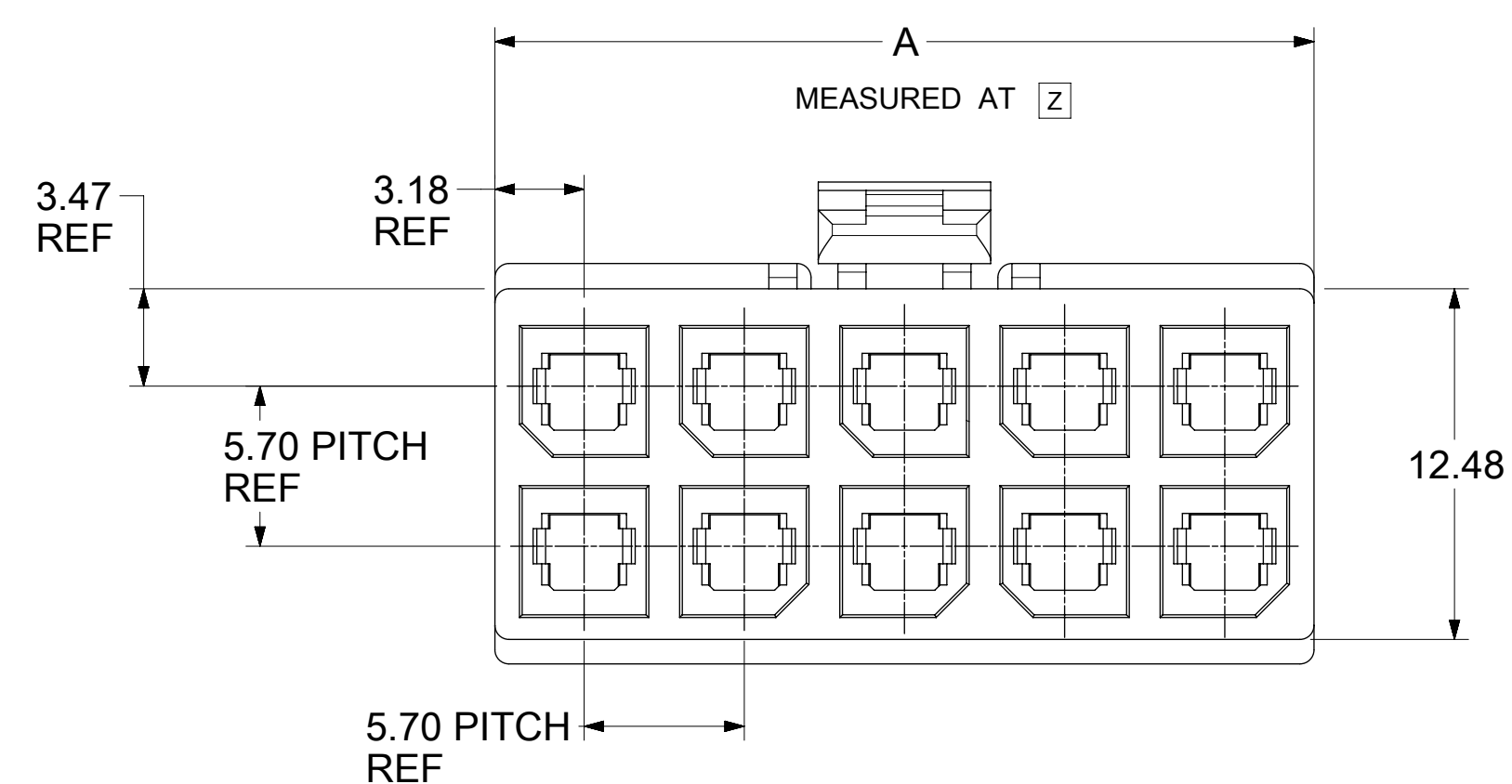


CKT NO	PART NO	DIM A
2	170001-0102	8.35
4	170001-0104	12.05
6	170001-0106	17.75
8	170001-0108	23.45±0.40
10	170001-0110	29.15±0.40
12	170001-0112	34.85±0.40

170001-0110



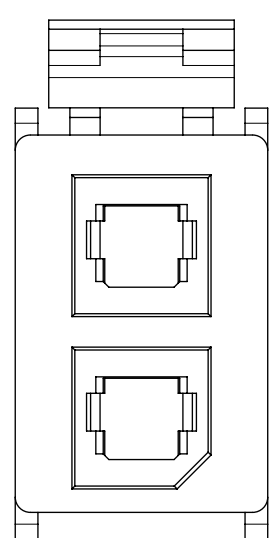
CIRCUIT #

NOTES:

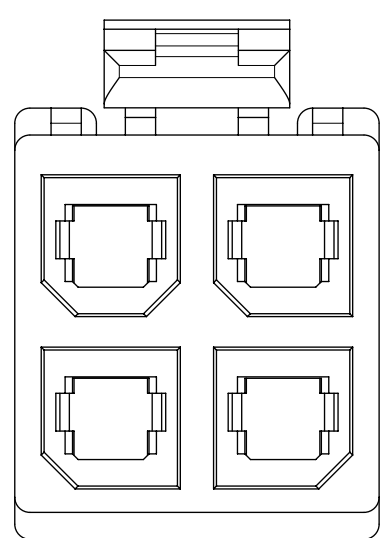
- MATERIAL:  
HOUSING: NYLON, UL 94V-2, GLOW WIRE CAPABLE PER IEC-60335-1 5TH EDITION, COLOR: BLACK.
- FINISH: NOT APPLICABLE.
- PRODUCT SPECIFICATION: PS-76823-100.
- PACKAGING: BULK PACK PER PK-170001-001
- PART MATES WITH MOLEX SERIES NUMBERS 76825, 76829, 172064, AND 172065.
- PART IS FOR USE WITH MOLEX FEMALE TERMINAL 76823-032X OR 172063-031X OR 172063-131X SERIES.
- APPLICATION SPECIFICATION: AS-76823-100.

THIS DRAWING CONTAINS INFORMATION THAT IS PROPRIETARY TO MOLEX ELECTRONIC TECHNOLOGIES, LLC AND SHOULD NOT BE USED WITHOUT WRITTEN PERMISSION												
DIMENSION UNITS		SCALE		CURRENT REV DESC:								
mm		NTS										
GENERAL TOLERANCES (UNLESS SPECIFIED)				EC NO: 755658		DRWN: WYATTH5		2023/06/21		<b>SD-170001-0100</b>		
ANGULAR TOL ± 0.5°				CHK'D: XQZHANG		2023/07/24						
4 PLACES ±				APPR: XQZHANG		2023/07/24		DOCUMENT NUMBER		DOC TYPE	DOC PART	REVISION
3 PLACES ±				INITIAL REVISION:		DRWN: MKARADIMAS		2010/11/23		PSD	001	C
2 PLACES ± 0.25				DRWN: APATEL		2012/06/13		MATERIAL NUMBER		CUSTOMER		SHEET NUMBER
1 PLACE ±				DRAFT WHERE APPLICABLE		THIRD ANGLE PROJECTION		DRAWING		SERIES		SEE TABLE
0 PLACES ±				MUST REMAIN WITHIN DIMENSIONS				D-SIZE		170001		GENERAL MARKET
1 OF 2												

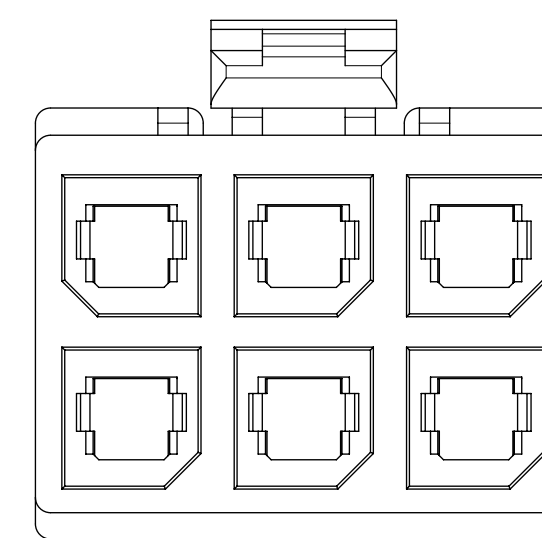
2 CKTS



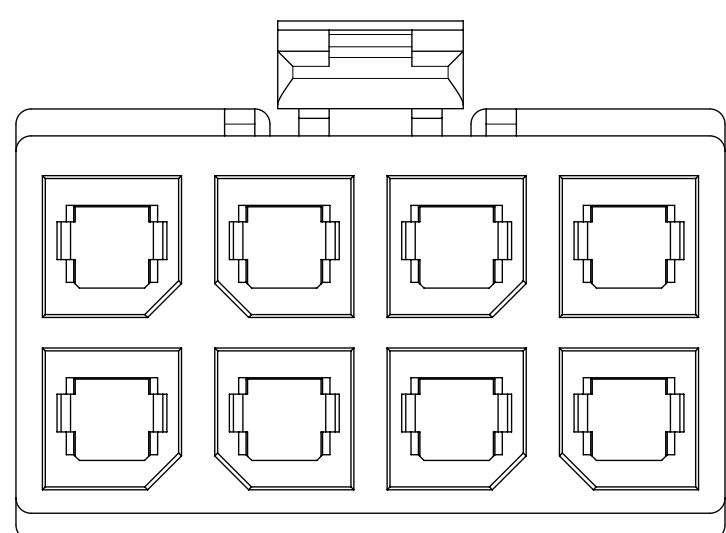
4 CKT



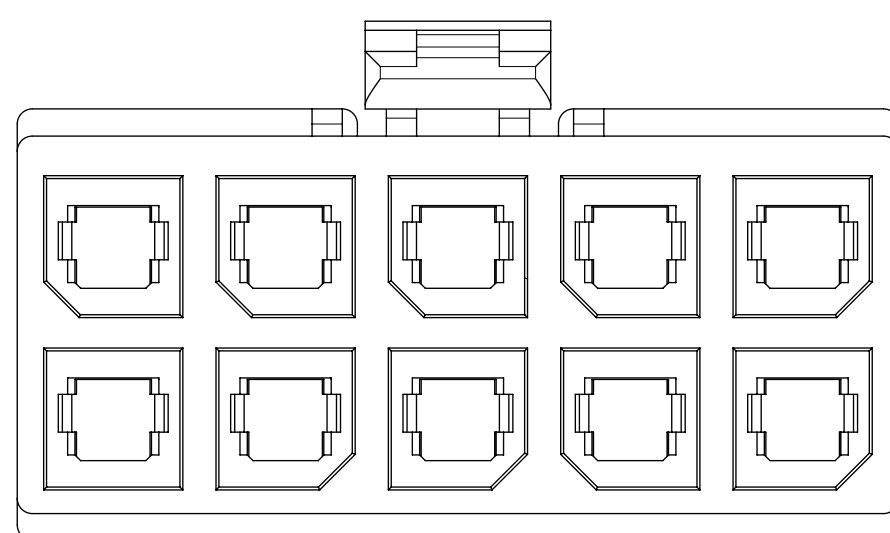
6 CKT



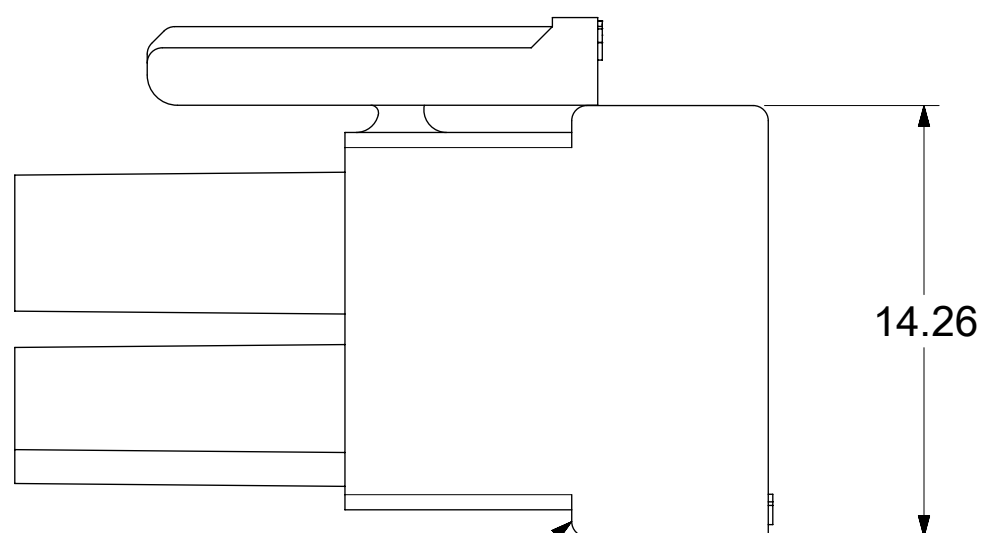
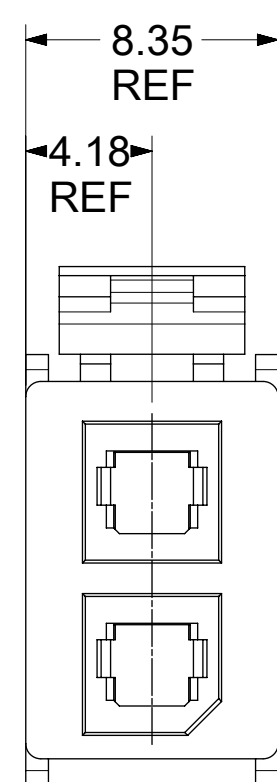
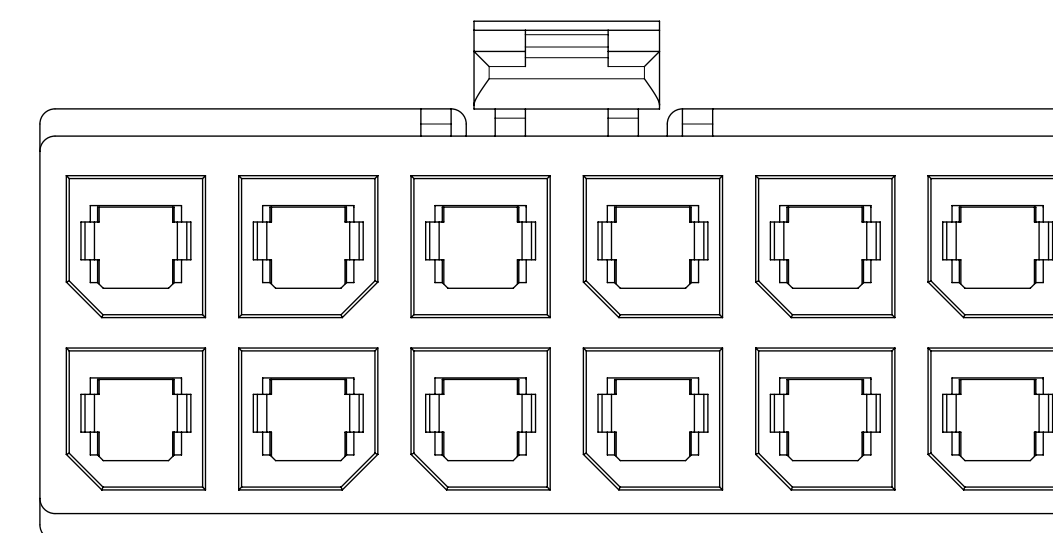
8 CKT



10 CKTS



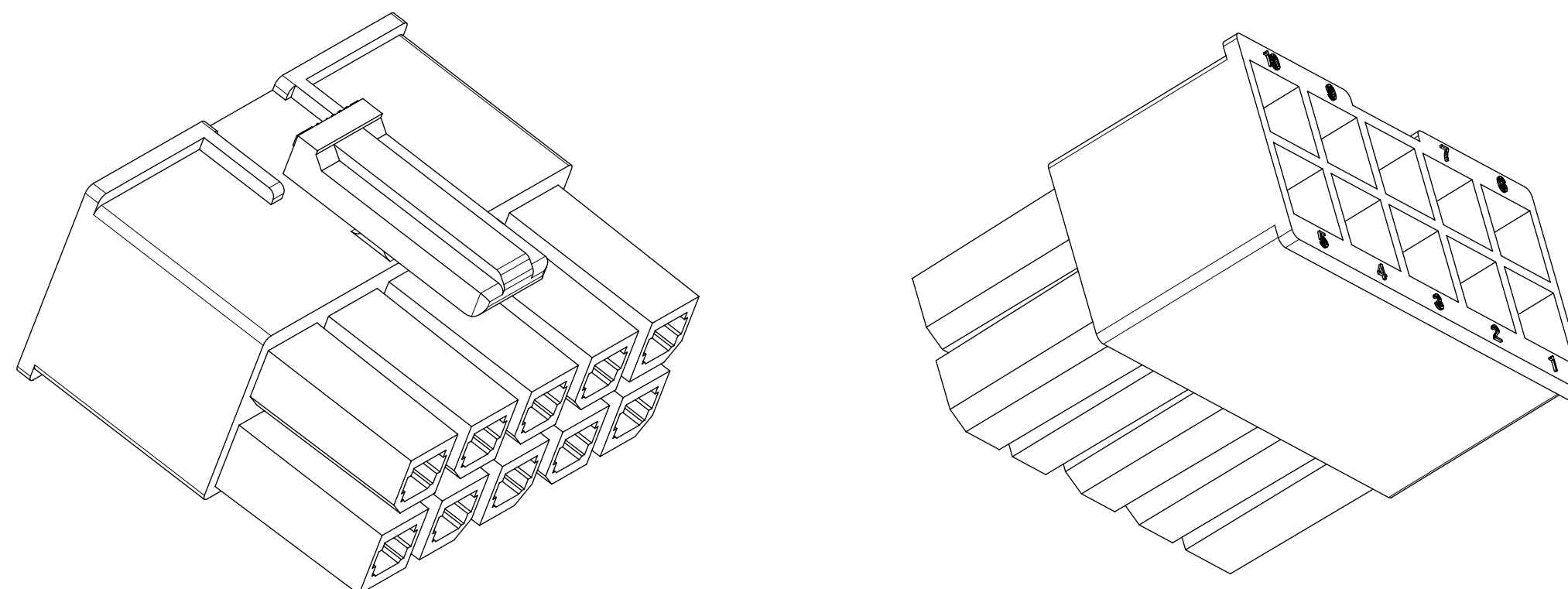
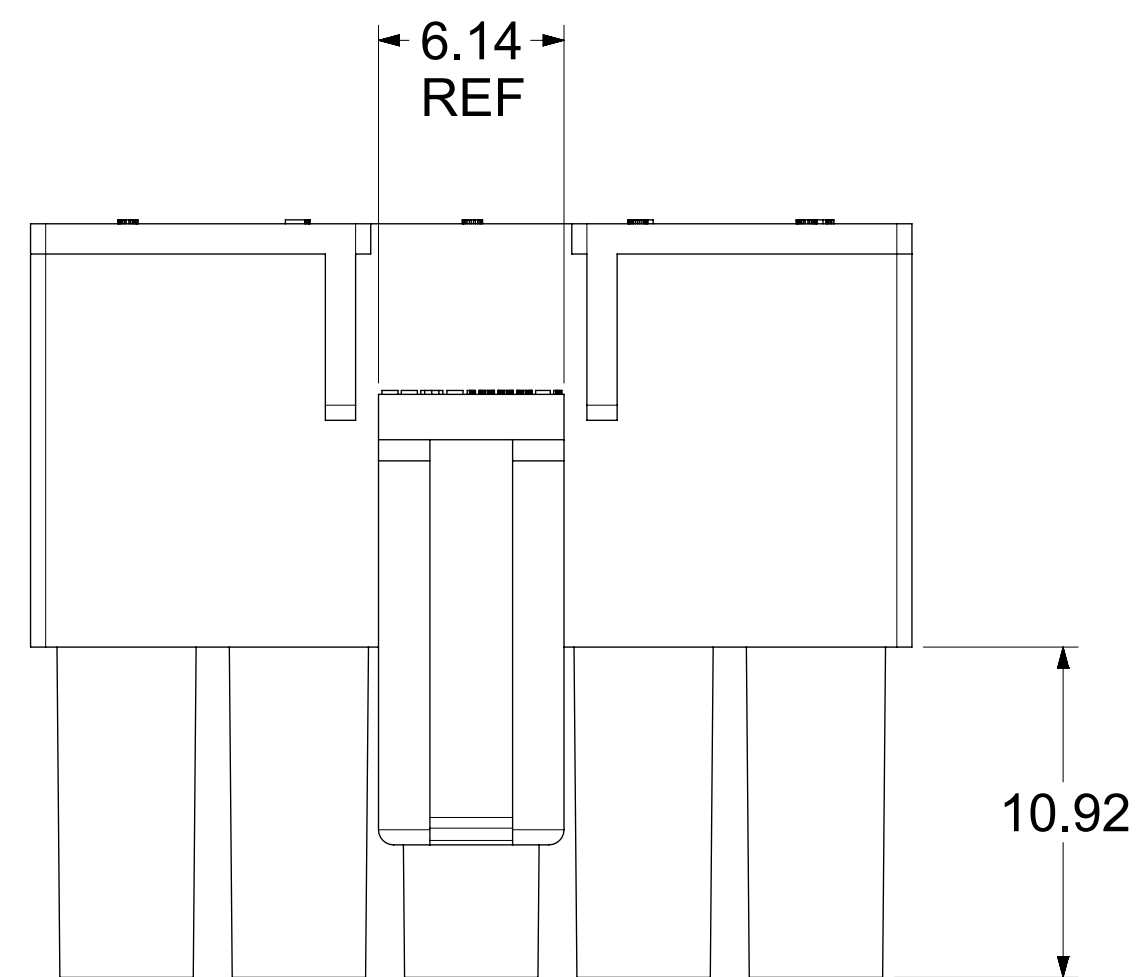
12 CKTS



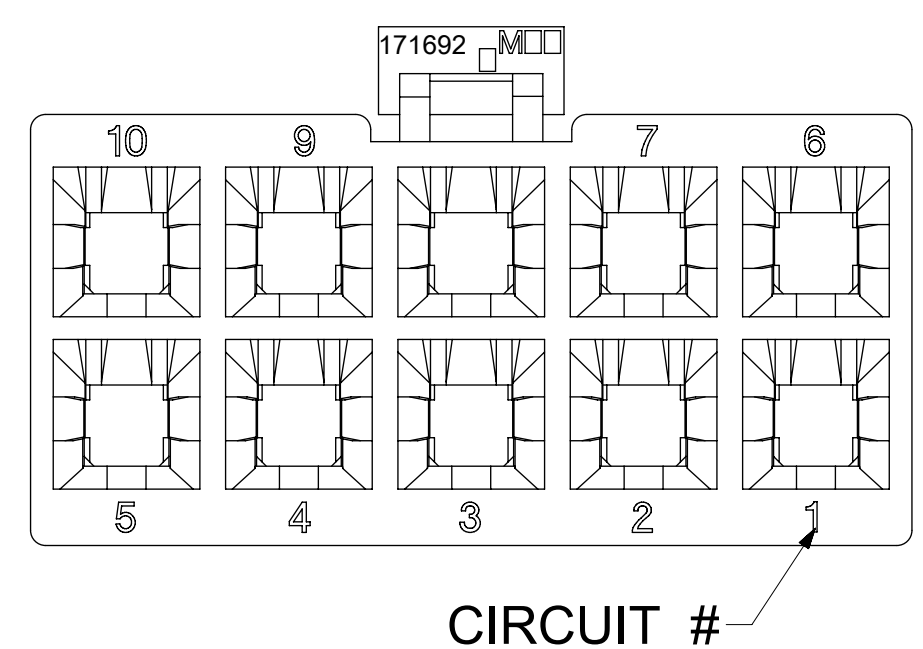
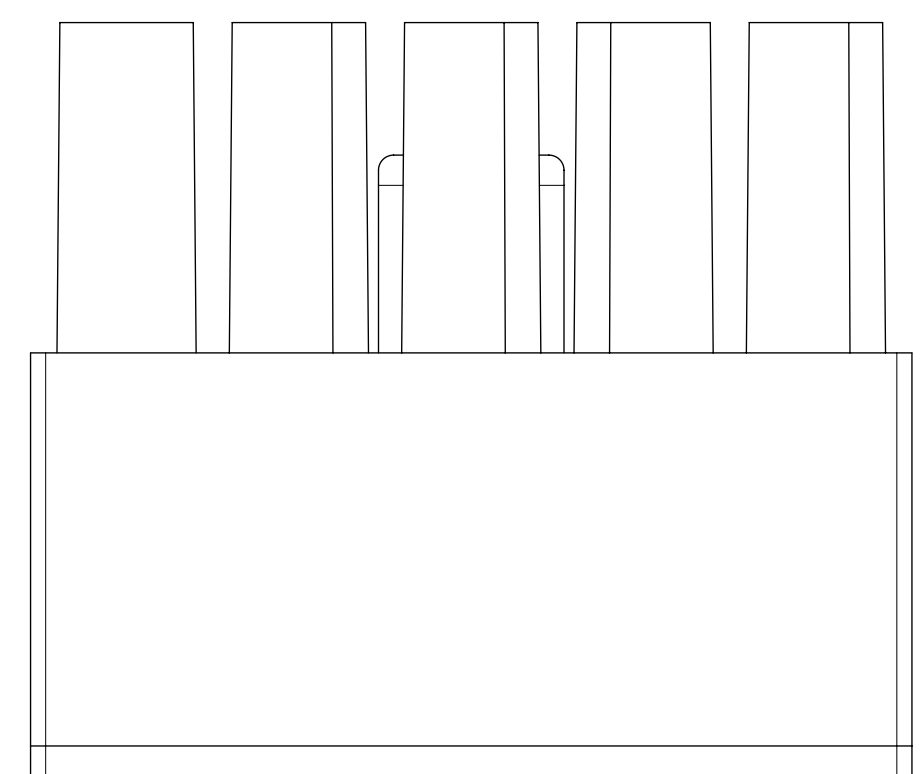
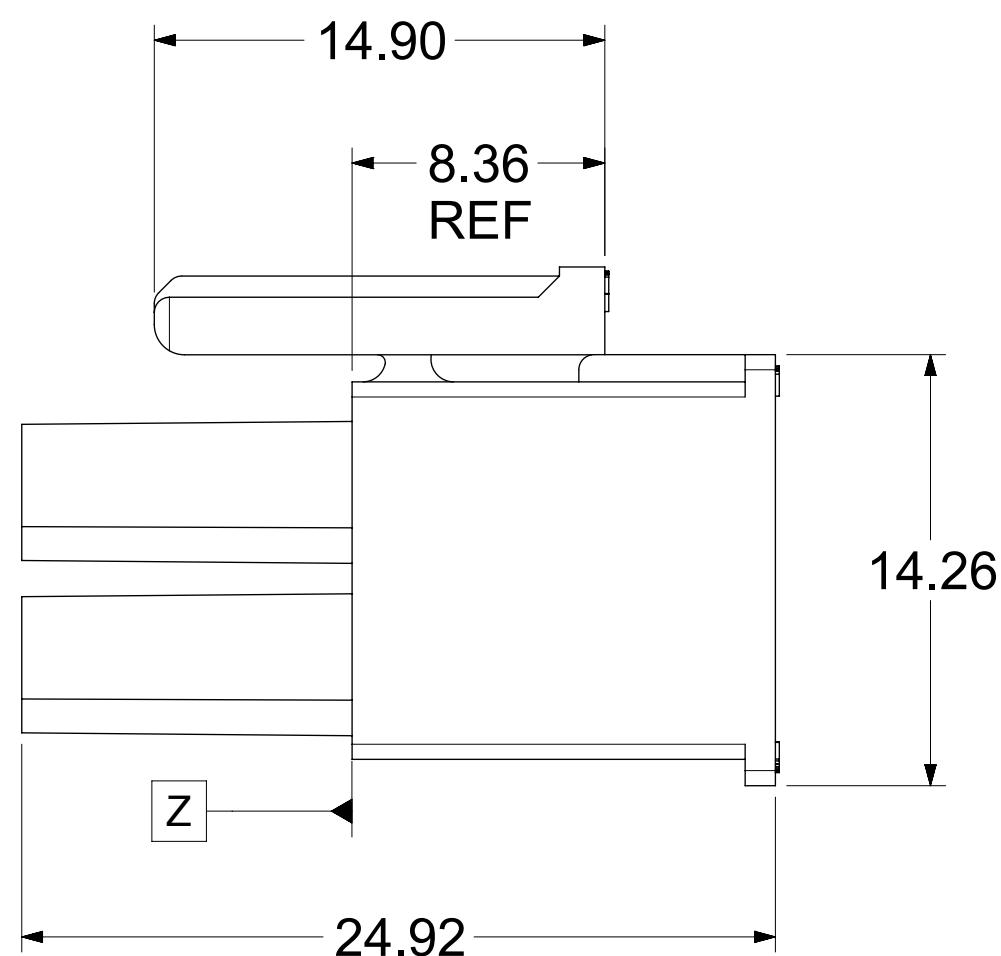
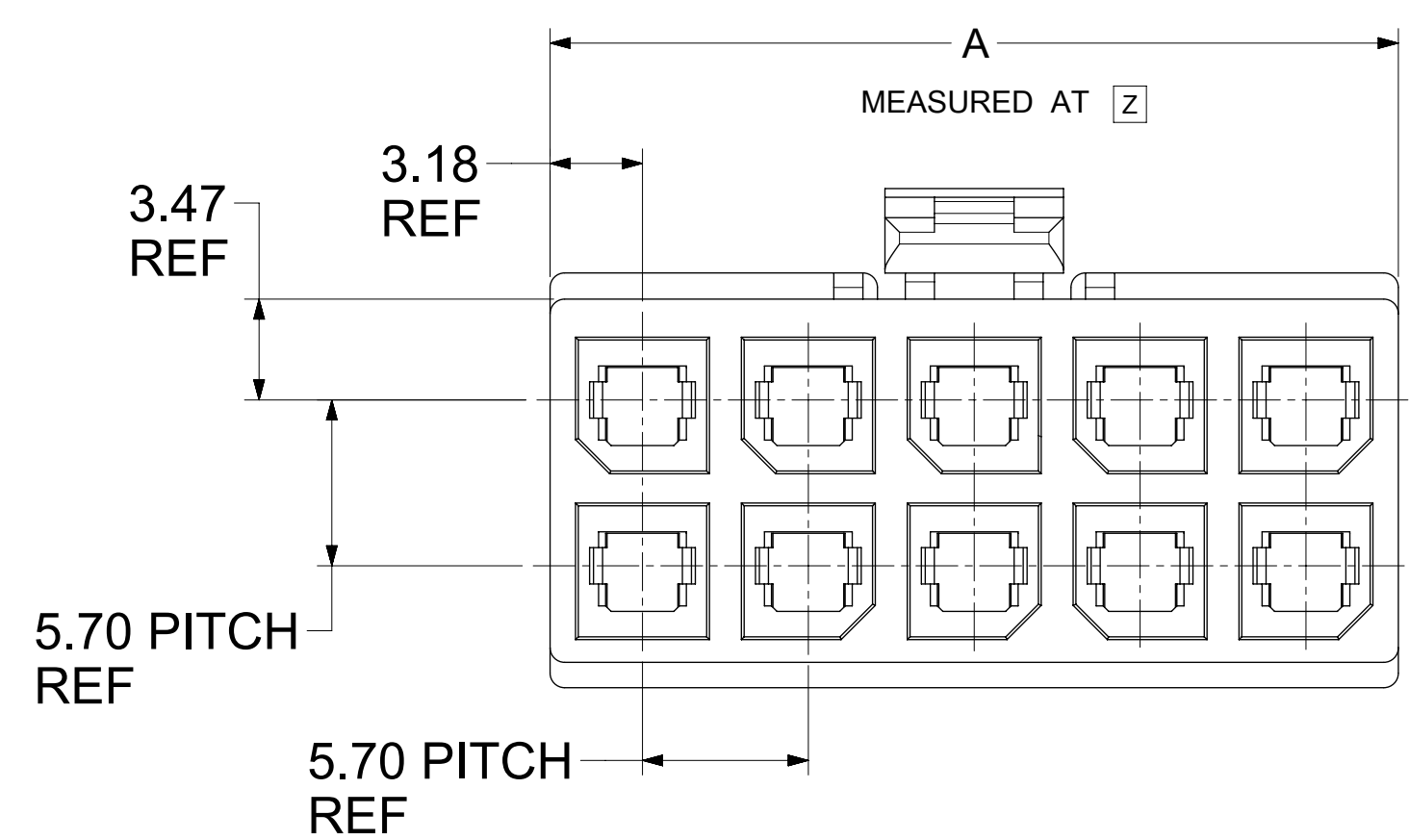
BOTTOM RIBS ON 2CKT ONLY

170001-0102

THIS DRAWING CONTAINS INFORMATION THAT IS PROPRIETARY TO MOLEX ELECTRONIC TECHNOLOGIES, LLC AND SHOULD NOT BE USED WITHOUT WRITTEN PERMISSION											
DIMENSION UNITS		SCALE		CURRENT REV DESC:						<b>molex</b>	
mm		NTS									
GENERAL TOLERANCES (UNLESS SPECIFIED)				EC NO: 755658						MEGA-FIT RECEPTACLE HOUSING 2-12 CKT GLOW WIRE	
ANGULAR TOL ± 0.5°				DRWN: WYATTH5 2023/06/21						PRODUCT CUSTOMER DRAWING	
4 PLACES ±				CHK'D: XQZHANG 2023/07/24						DOCUMENT NUMBER	
3 PLACES ±				APPR: XQZHANG 2023/07/24						DOC TYPE	
2 PLACES ± 0.25				INITIAL REVISION:						DOC PART	
1 PLACE ±				DRWN: MKARADIMAS 2010/11/23						REVISION	
0 PLACES ±				APPR: APATEL 2012/06/13						SD-170001-0100	
DRAFT WHERE APPLICABLE MUST REMAIN WITHIN DIMENSIONS				THIRD ANGLE PROJECTION		DRAWING		SERIES		MATERIAL NUMBER	
				D-SIZE		170001		CUSTOMER		SEE TABLE	
								GENERAL MARKET		SHEET NUMBER	
										2 OF 2	



171692-0110



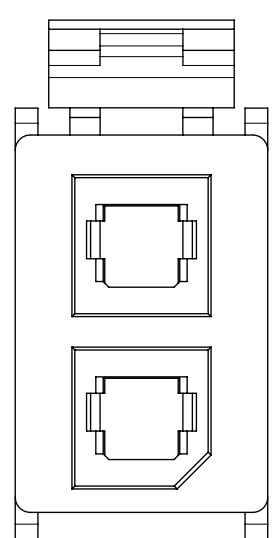
CKT NO	PART NO	DIM A
2	171692-0102	8.35
4	171692-0104	12.05
6	171692-0106	17.75
8	171692-0108	23.45±0.40
10	171692-0110	29.15±0.40
12	171692-0112	34.85±0.40

NOTES:

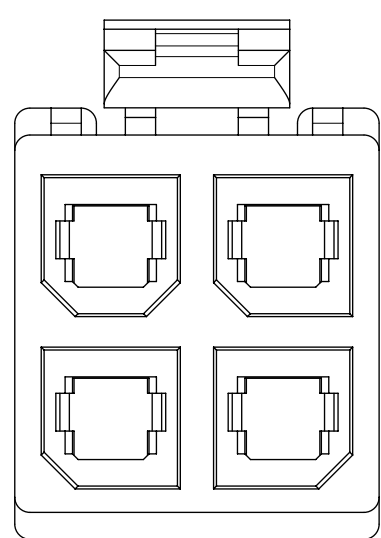
- MATERIAL:  
HOUSING: PBT, UL 94V-0, COLOR: BLACK.
- FINISH: NOT APPLICABLE.
- PRODUCT SPECIFICATION: PS-76823-100.
- PACKAGING: BULK PACK PER PK-170001-001
- PART MATES WITH MOLEX SERIES NUMBERS 76825, 76829, 172064, AND 172065.
- PART IS FOR USE WITH MOLEX FEMALE TERMINAL 76823-032X OR 172063-031X OR 172063-131X SERIES.
- APPLICATION SPECIFICATION: AS-76823-100.

THIS DRAWING CONTAINS INFORMATION THAT IS PROPRIETARY TO MOLEX ELECTRONIC TECHNOLOGIES, LLC AND SHOULD NOT BE USED WITHOUT WRITTEN PERMISSION		CURRENT REV DESC:			
DIMENSION UNITS <b>mm</b>	SCALE <b>NTS</b>				
GENERAL TOLERANCES (UNLESS SPECIFIED)		EC NO: 755658		<b>MEGA-FIT RECEPTACLE HOUSING 2-12 CKT</b>  <b>PRODUCT CUSTOMER DRAWING</b>	
ANGULAR TOL	± 0.5°	DRWN: WYATTH5 2023/07/04			
4 PLACES	±	CHK'D: XQZHANG 2023/07/24			
3 PLACES	±	APPR: XQZHANG 2023/07/24		DOCUMENT NUMBER	
2 PLACES	± 0.25	INITIAL REVISION:		SD-171692-0100	
1 PLACE	±	DRWN: MKARADIMAS 2012/08/01		DOC TYPE	PSD
0 PLACES	±	APPR: APATEL 2012/08/17		DOC PART	001
DRAFT WHERE APPLICABLE MUST REMAIN WITHIN DIMENSIONS		THIRD ANGLE PROJECTION	DRAWING	SERIES	REVISION
			<b>D-SIZE</b>	<b>171692</b>	<b>C2</b>
			MATERIAL NUMBER	CUSTOMER	SHEET NUMBER
			SEE CHART	GENERAL MARKET	1 OF 2

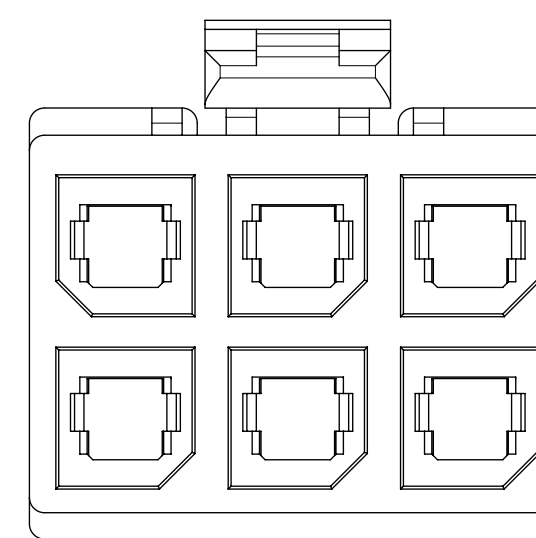
2 CKTS



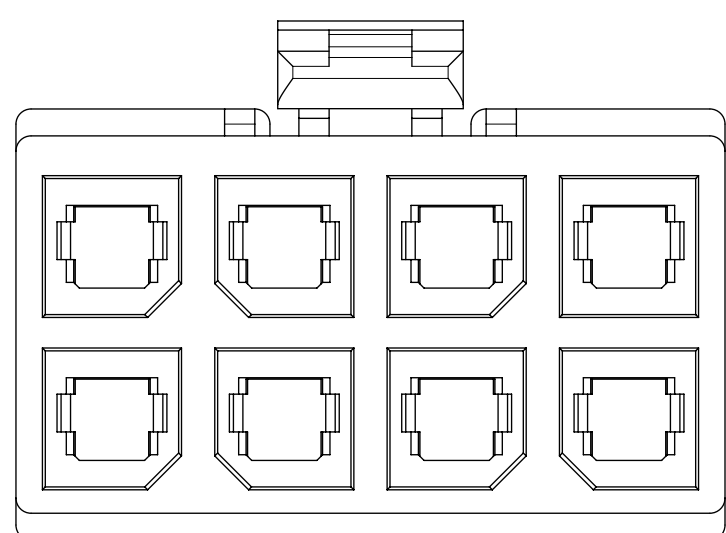
4 CKT



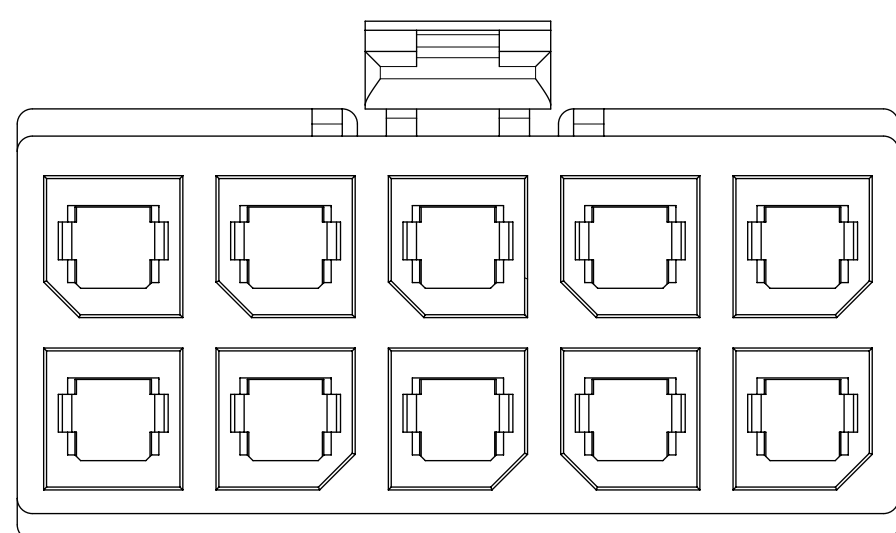
6 CKT



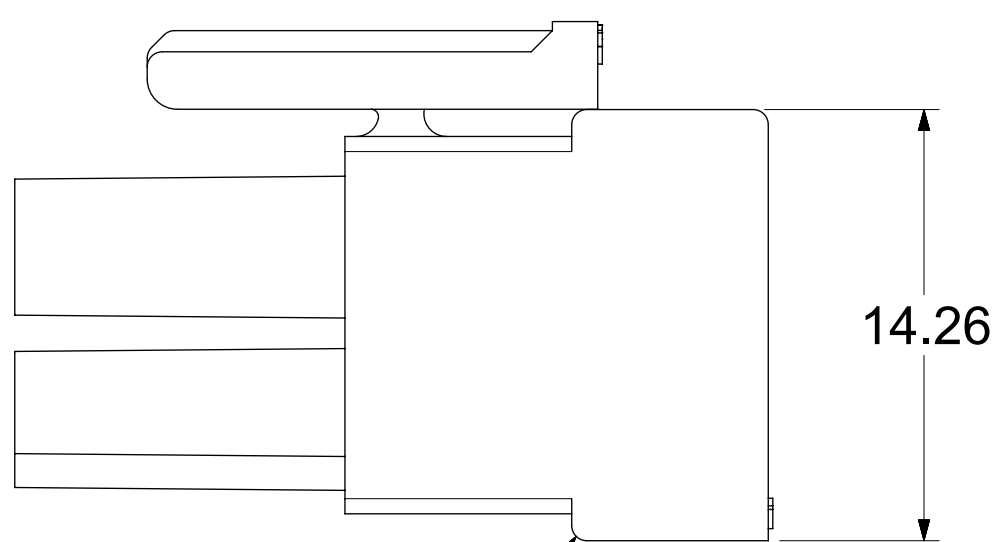
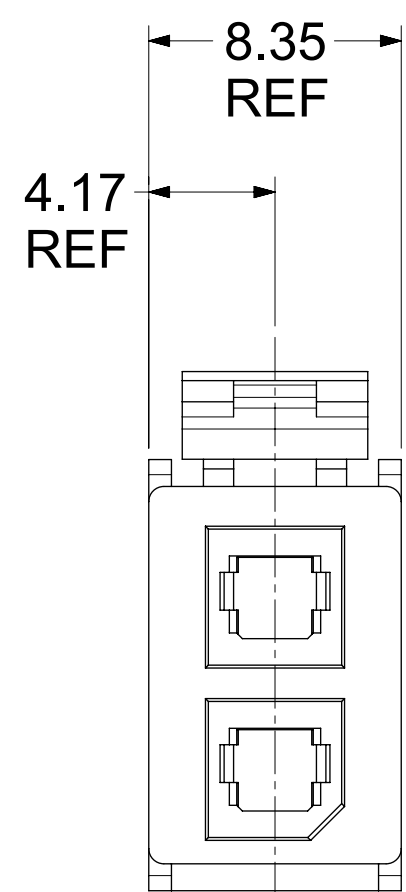
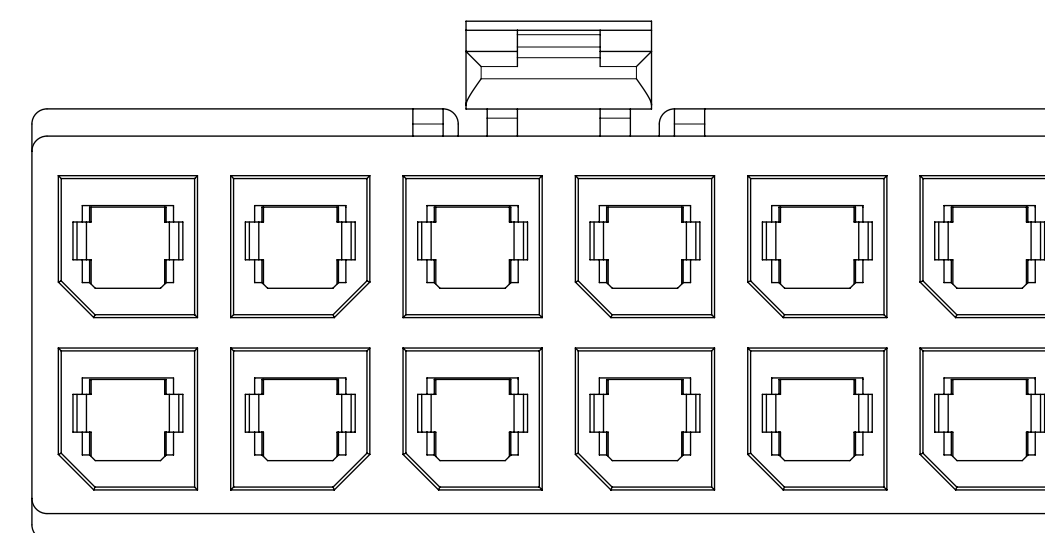
8 CKT



10 CKTS



12 CKTS



BOTTOM RIB ON  
2 CKT ONLY

171692-0102

THIS DRAWING CONTAINS INFORMATION THAT IS PROPRIETARY TO MOLEX ELECTRONIC TECHNOLOGIES, LLC AND SHOULD NOT BE USED WITHOUT WRITTEN PERMISSION										
DIMENSION UNITS	SCALE	CURRENT REV DESC:								
mm	NTS	<p><b>molex</b></p> <p>MEGA-FIT RECEPTACLE HOUSING 2-12 CKT</p> <p>PRODUCT CUSTOMER DRAWING</p> <p>DOCUMENT NUMBER: <b>SD-171692-0100</b>    DOC TYPE: PSD    DOC PART: 001    REVISION: C2</p> <p>MATERIAL NUMBER: SEE CHART    CUSTOMER: GENERAL MARKET    SHEET NUMBER: 2 OF 2</p>								
GENERAL TOLERANCES (UNLESS SPECIFIED)										
ANGULAR TOL	± 0.5°									
4 PLACES	±									
3 PLACES	±									
2 PLACES	± 0.25									
1 PLACE	±									
0 PLACES	±									
DRAFT WHERE APPLICABLE MUST REMAIN WITHIN DIMENSIONS		THIRD ANGLE PROJECTION	DRAWING	SERIES	MATERIAL NUMBER					CUSTOMER
			D-SIZE	171692	SEE CHART					GENERAL MARKET