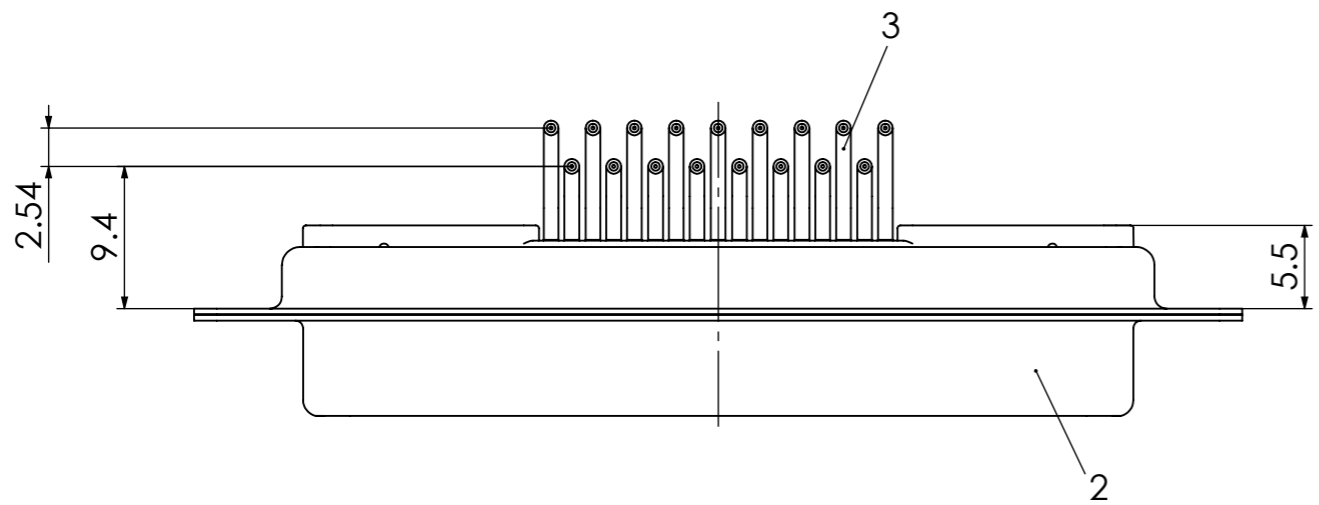
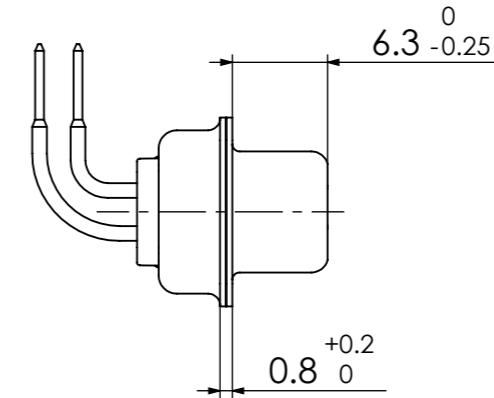
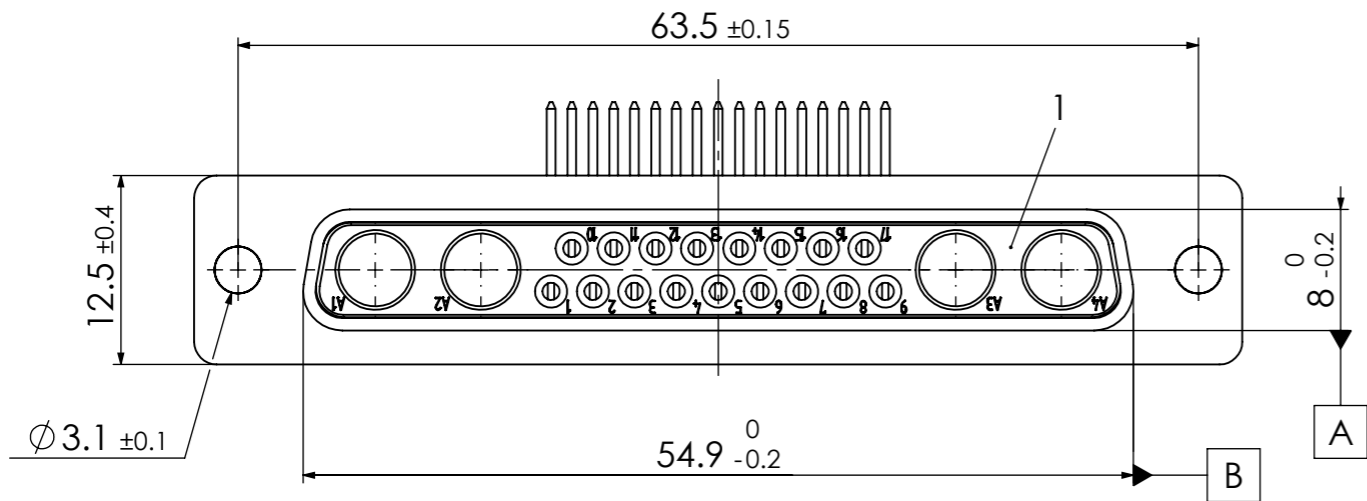
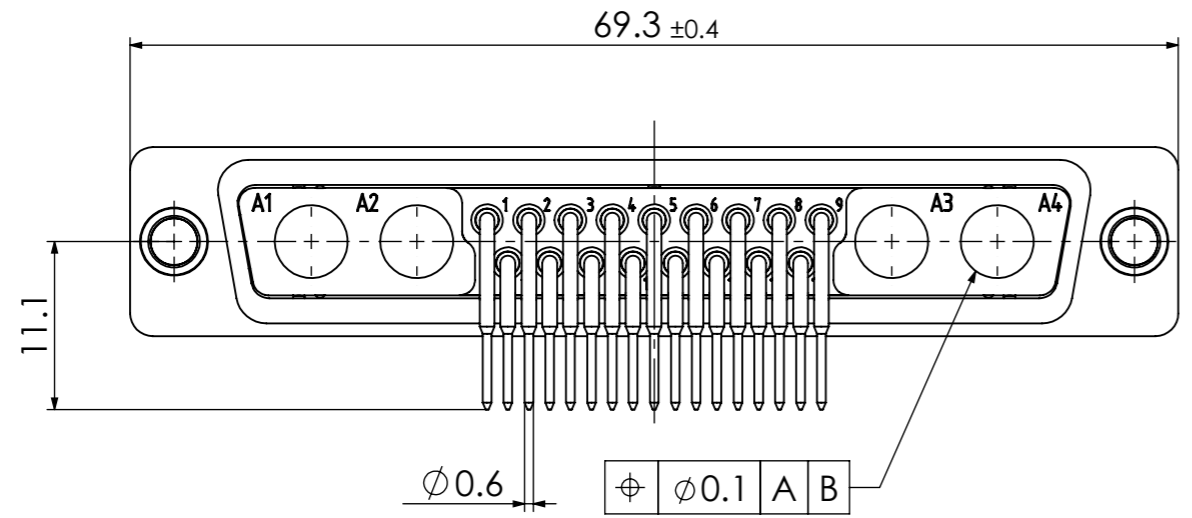
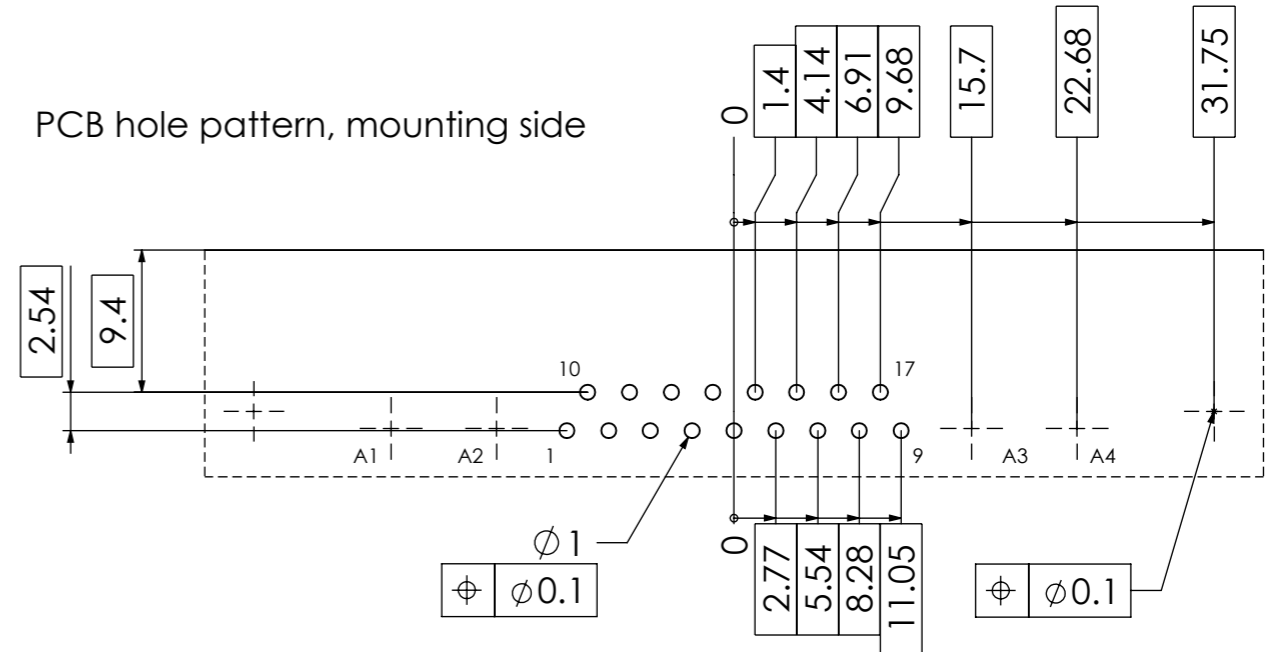


RoHS compliant
by exemption



PCB hole pattern, mounting side



3	17	Signal contact	S5 / Brass	AuroPur
2	1	Shell	Steel	tin plated
1	1	Insulator	PBT (-55°C to +130°C) acc. UL94V-0	green
No.	St.	Part	Type Description/Material	Surface plating/Colour/Class

FUNCTIONAL SYMBOLS ▽ = 0 ▽ = 0 ▽ = 0					THIS DRAWING CONTAINS INFORMATION THAT IS PROPRIETARY TO MOLEX ELECTRONIC TECHNOLOGIES, LLC AND SHOULD NOT BE USED WITHOUT WRITTEN PERMISSION				
DIMENSION UNITS		SCALE		MEASUREMENTS WITHOUT TOLERANCE ACC. TO		molex FCT D-Sub Mixed-Layout Connector			
mm		2:1		ISO 2768-m					
CURRENT REVISION					PRODUCT CUSTOMER DRAWING				
DRWN: DRAWN BY		msteinbrueck		01-02-2019		MATERIAL NUMBER		REVISION	
APPR: APPR BY		MTeubel		04-02-2019		1731071296		2	
INITIAL REVISION					DOCUMENT NUMBER				
DRWN: DRAWN BY		MTeubel		31-08-2012		FM21WA4S5A-K121		CUSTOMER	
APPR: APPR BY		sschref		03-09-2012		GENERAL MARKET		SHEET NUMBER	
REPLACEMENT FOR:		FRIST ANGLE PROJECTION		DRAWING				1 OF 1	
				A3-SIZE					

COMMENT: ALL RIGHTS ARE RESERVED BY US FOR THIS DRAWING. WITHOUT OUR PRIOR CONSENT, IT MAY NEITHER BE DUBLICATED NOR MADE AVAILABLE TO A THIRD PARTY. AND IT ALSO MAY NOT BE IMPROPERLY USED BY THE RECEIVER, OR A THIRD PARTY.