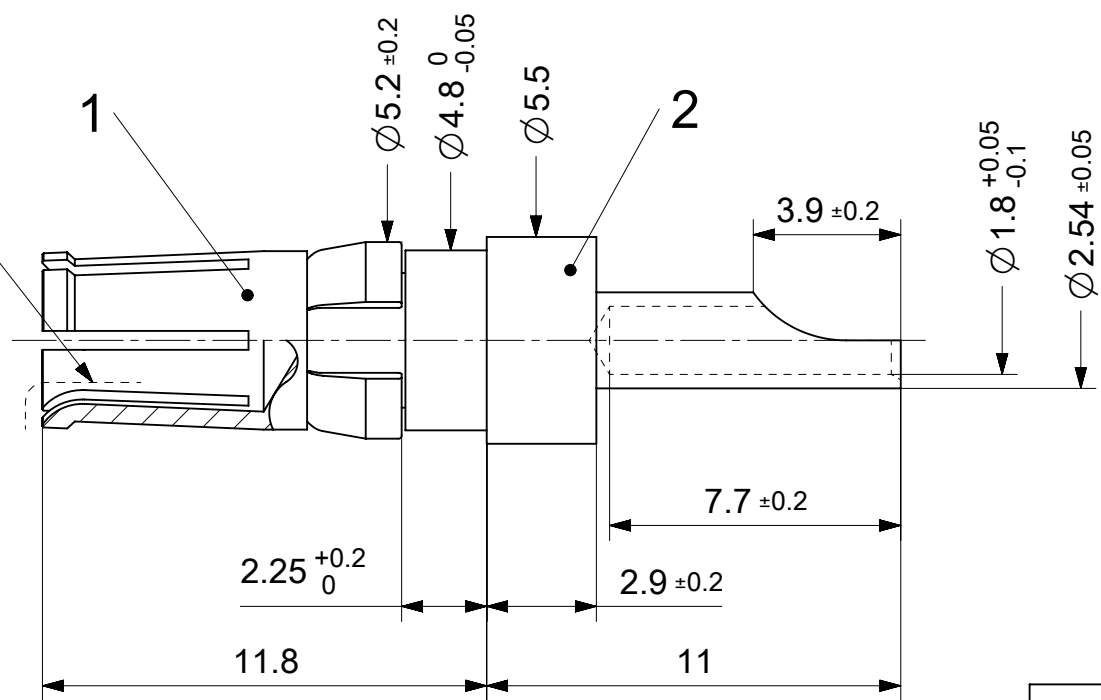


2:1

Contact area



RoHS compliant
by exemption

1727040154	FMP005S103	103
1731120308	FMP005S105	105
1731120039	FMP005S203	203
Material Number	FCT Part Number	Material + Finish See extra sheet

UNLESS OTHERWISE SPECIFIED DIMENSIONS FOR REFERENCE ONLY		REPLACEMENT FOR DOCUMENT NUMBER: FMP005S	
FUNCTIONAL SYMBOLS	THIS DRAWING CONTAINS INFORMATION THAT IS PROPRIETARY TO MOLEX ELECTRONIC TECHNOLOGIES, LLC AND SHOULD NOT BE USED WITHOUT WRITTEN PERMISSION		
	DIMENSION UNITS	SCALE	CURRENT REV DESC:
$\frac{F}{A} = 0$	mm	5:1	EC NO: 686935 DRWN: FVETTER 2021/11/29 CHK'D: MTEUBEL 2021/11/30 APPR: MTEUBEL 2021/11/30
$\frac{F}{E} = 0$	GENERAL TOLERANCES (UNLESS SPECIFIED)		
$\frac{F}{P} = 0$	ANGULAR TOL	± °	
DIVISIONAL SYMBOLS	4 PLACES	±	
	3 PLACES	±	
	2 PLACES	±	
	1 PLACE	±	
	0 PLACES	±	
INITIAL REVISION:		DOCUMENT NUMBER	DOC TYPE
DRWN: VLOKESHA 2021/03/30		1727040154	PSD
APPR: MTEUBEL 2021/11/25		000	REVISION
		A1	
DRAFT WHERE APPLICABLE MUST REMAIN WITHIN DIMENSIONS	FIRST ANGLE PROJECTION	DRAWING	SHEET NUMBER
		A4-SIZE	1 OF 1
		SERIES	MATERIAL NUMBER
		172704	SEE TABLE
		CUSTOMER	GENERAL MARKET