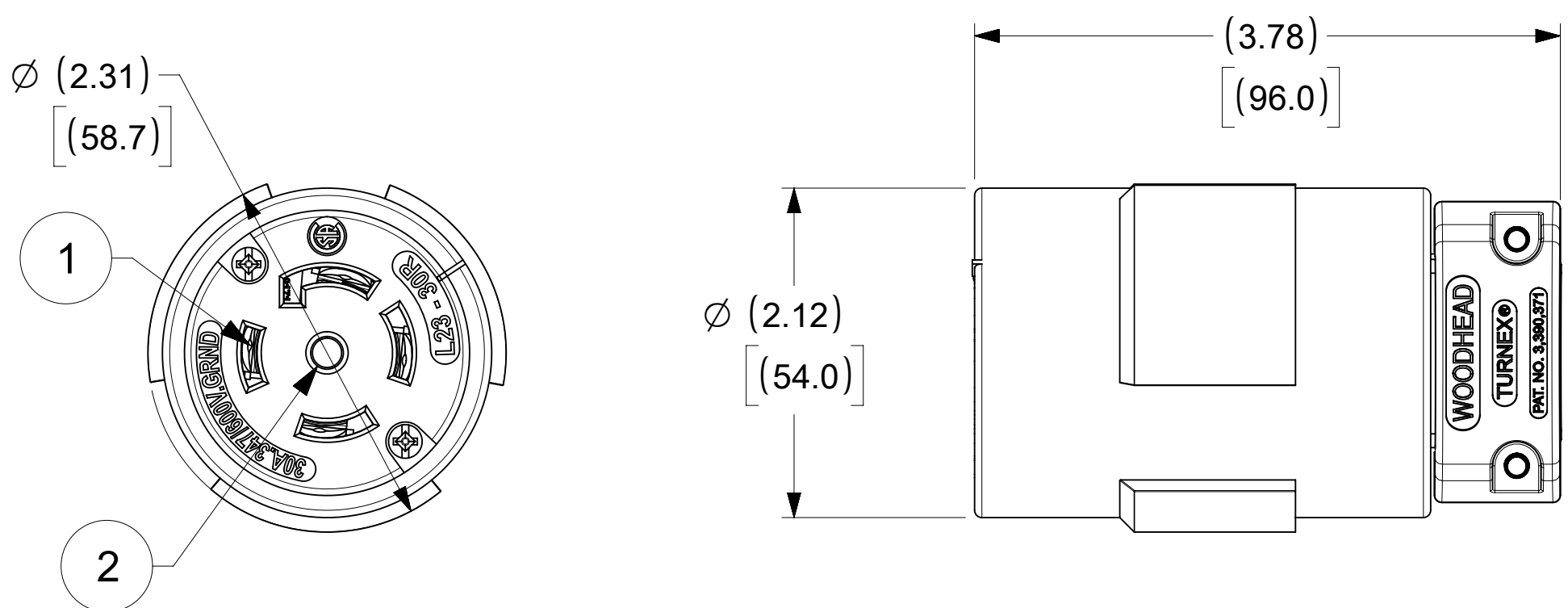
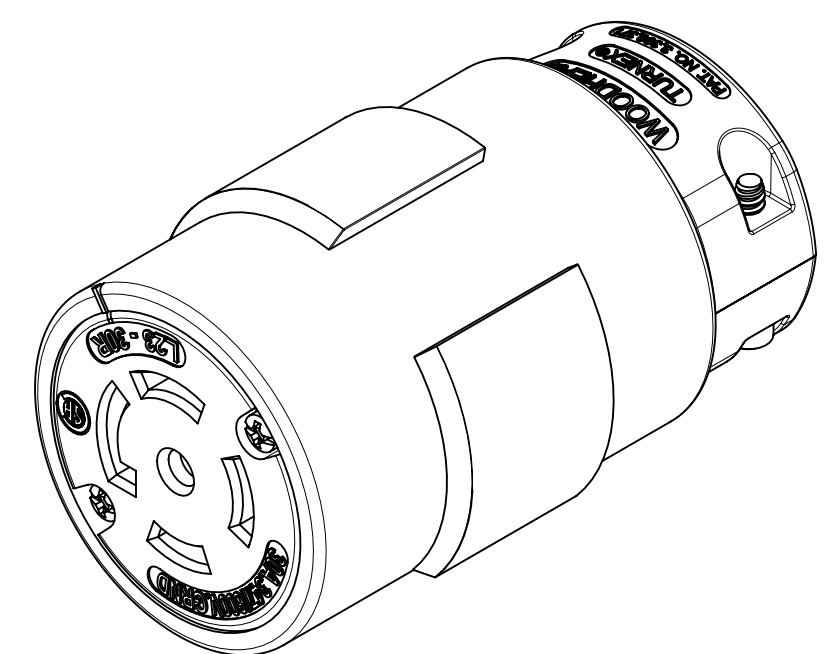
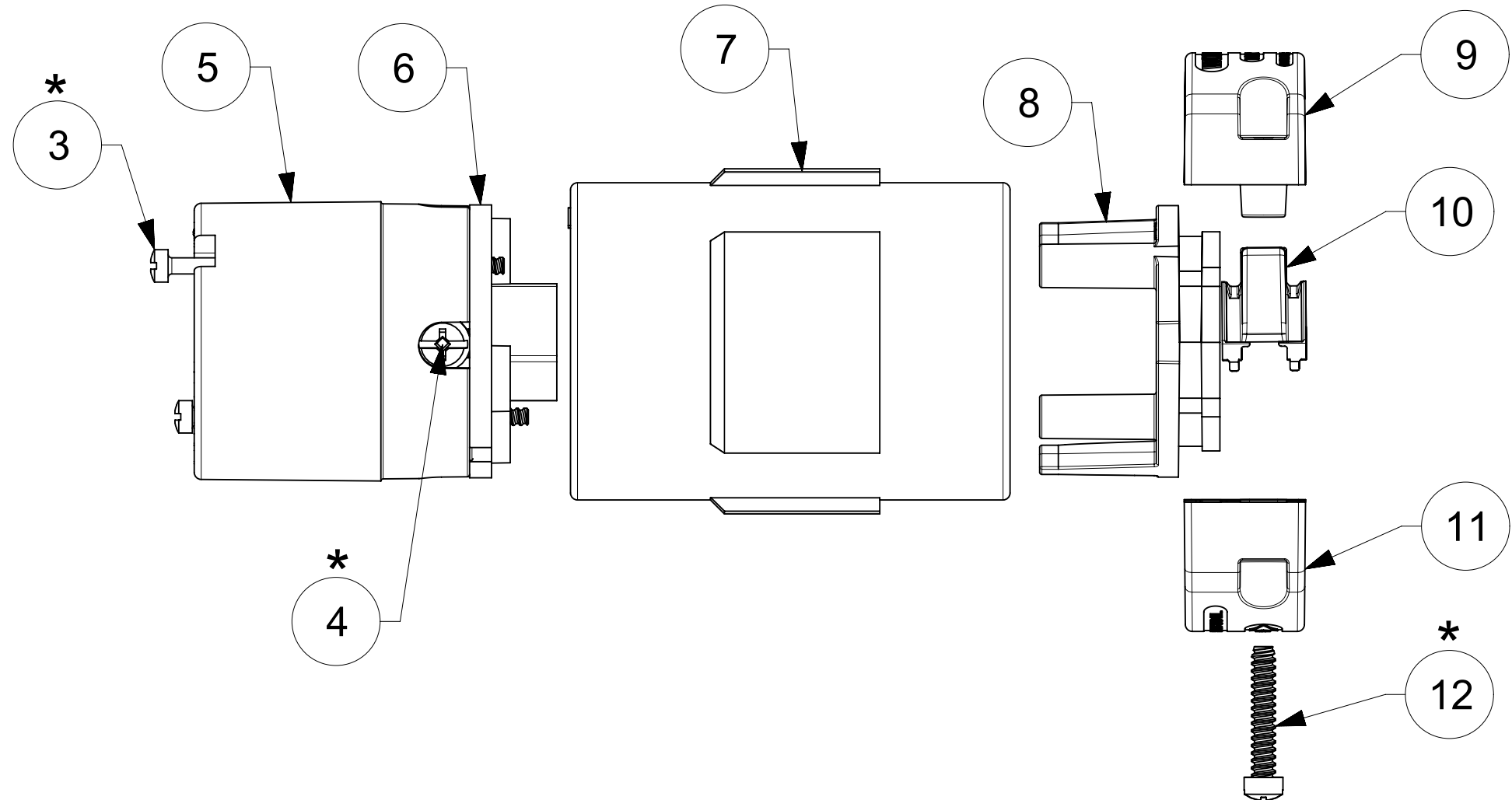
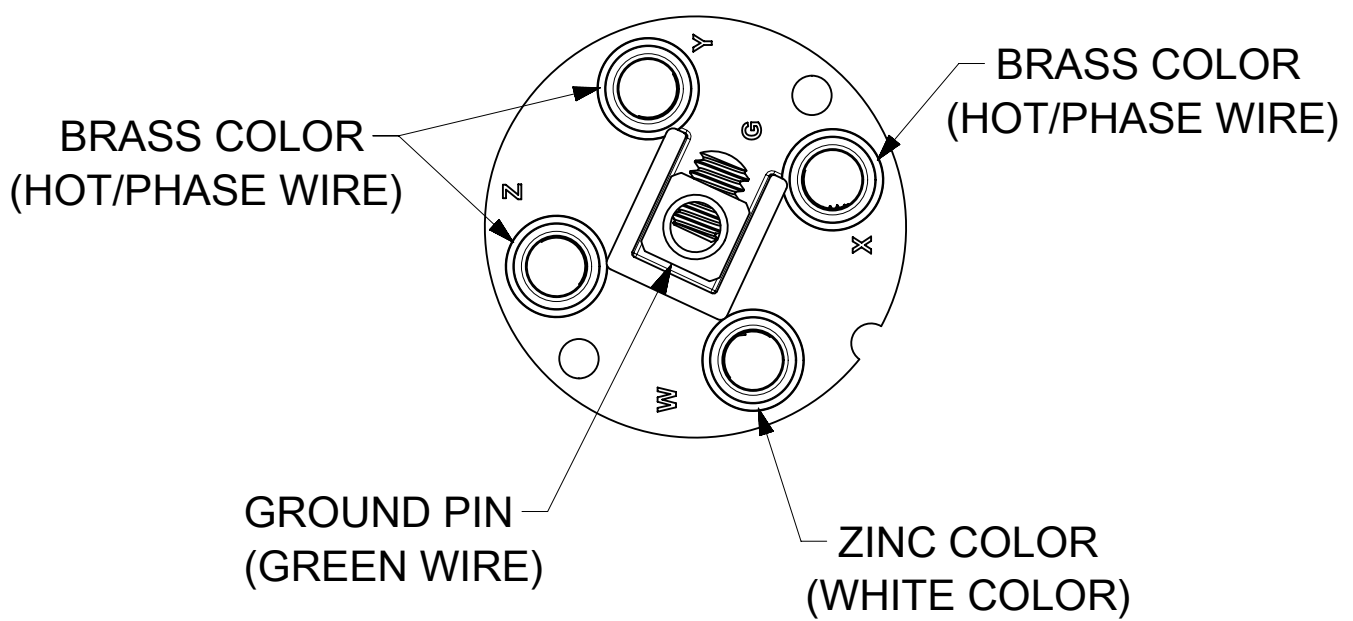


ORDER NO.	WOODHEAD NO.	COLOR
130142-0049	2983	YELLOW



**WIRING TERMINATION**



\* FOR SCREW TORQUE, SEE ASSEMBLY INSTRUCTIONS

ITEM NO.	DESCRIPTIONS	MATERIAL	QTY.
1	CLIP ASSEMBLY	BRASS, NICKEL PLATED	4
2	GROUND SOCKET	BRASS, NICKEL PLATED	1
3	RETAINING SCREWS	STAINLESS STEEL	2
4	TERMINAL SCREWS/CLAMP ASSEMBLY	BRASS, ZINC PLATED	4
5	INSERT	NYLON	1
6	TERMINAL COVER	POLYCARBONATE	1
7	CONNECTOR HUSK	RUBBER	1
8	CLAMP SUPPORT	NYLON	1
9	CLAMP CORD MALE	NYLON	1
10	CLAMP CORD INSERT	NYLON	1
11	CLAMP CORD FEMALE	NYLON	1
12	RETAINING SCREWS	STEEL	2

<b>SYMBOLS</b> DIMENSION UNITS: INCH/MM SCALE: NTS CURRENT REV DESC: NEW RELEASE	GENERAL TOLERANCES (UNLESS SPECIFIED) 4 PLACES ± 3 PLACES ± 2 PLACES ± 1 PLACE ± 0 PLACES ±		EC NO: 627957 DRWN: VHANDI 2020/01/16 CHK'D: DNGUYEN62 2020/02/21 APPR: HKNEELAND 2020/06/02 INITIAL REVISION: DRWN: VHANDI 2019/07/01 APPR: HKNEELAND 2020/06/02			
	DRAFT WHERE APPLICABLE MUST REMAIN WITHIN DIMENSIONS THIRD ANGLE PROJECTION DRAWING SERIES: C-SIZE 130142					
MATERIAL NUMBER: SEE TABLE CUSTOMER: GENERAL MARKET			SHEET NUMBER: 1 OF 1			