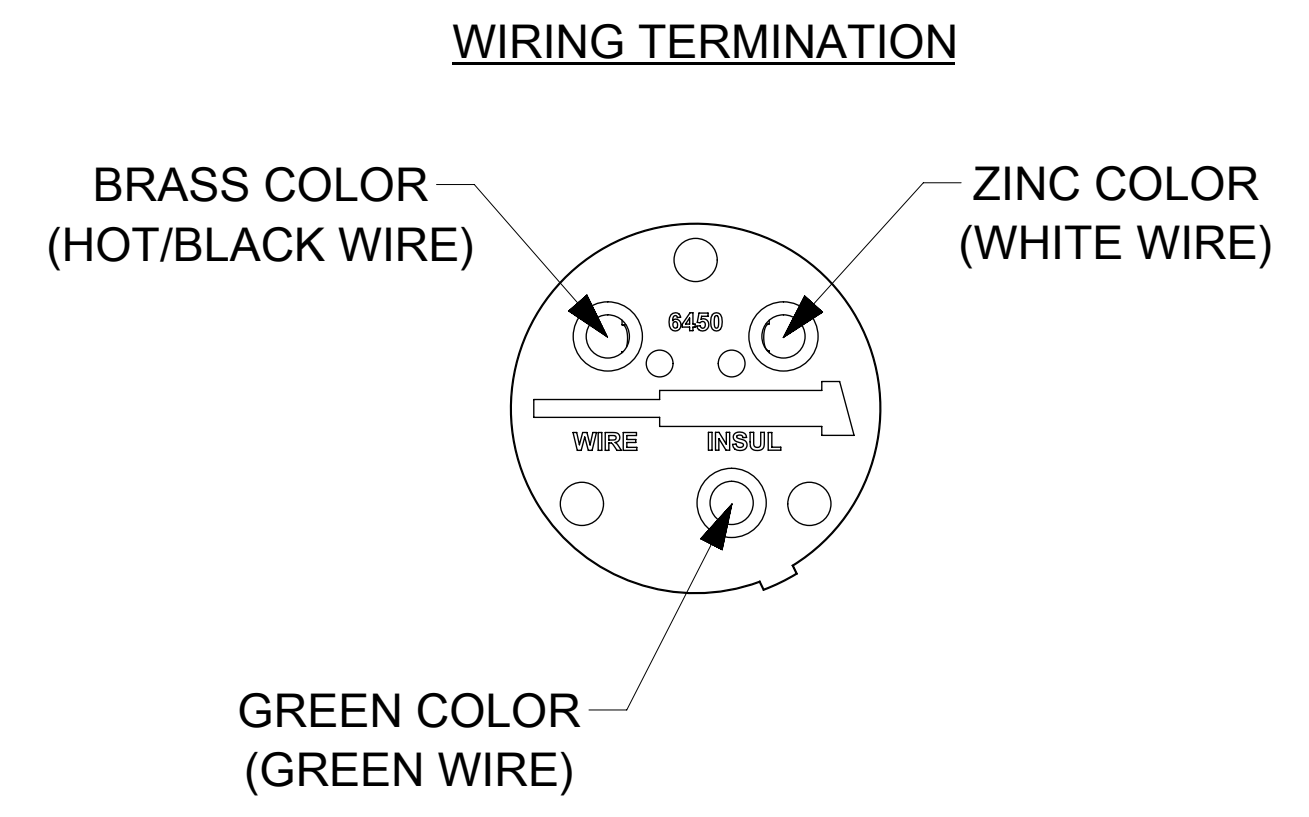
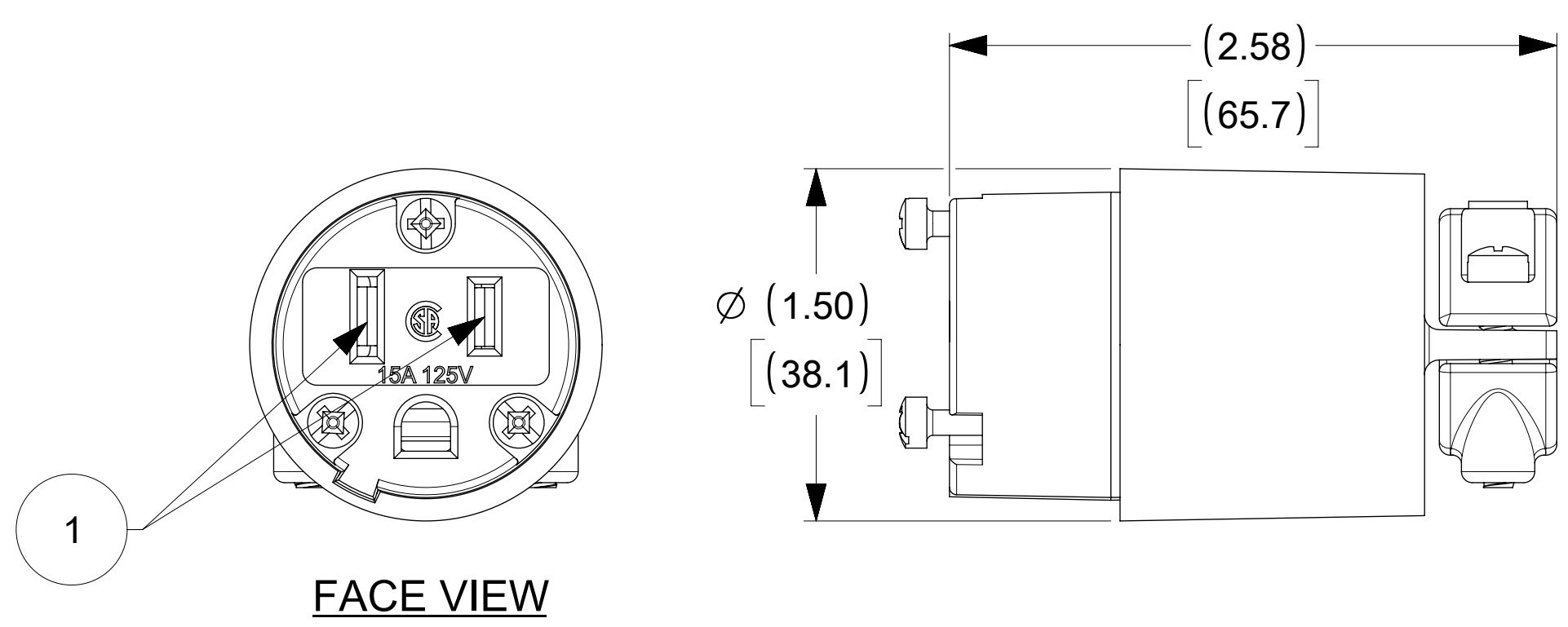
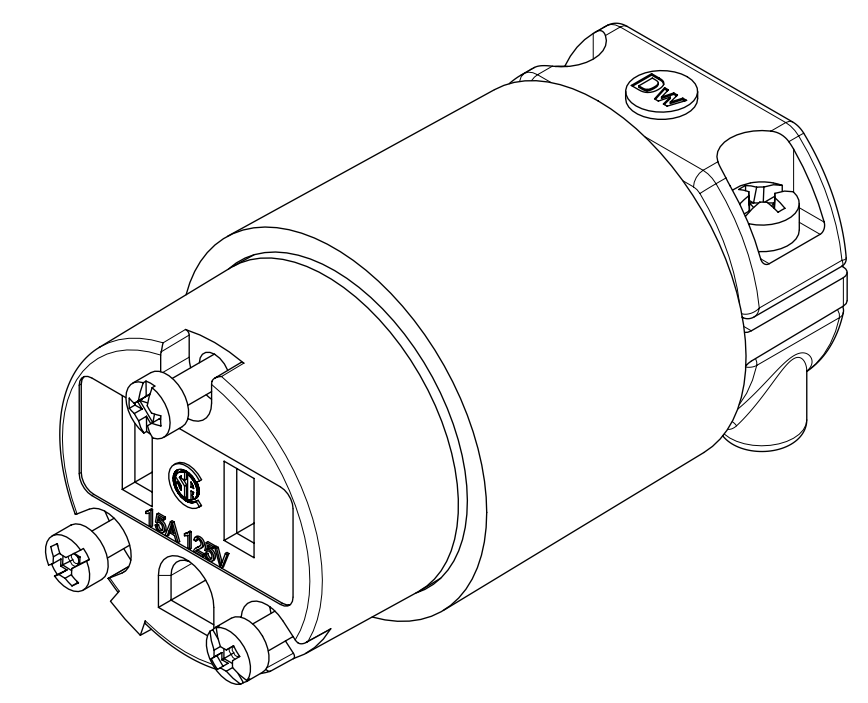
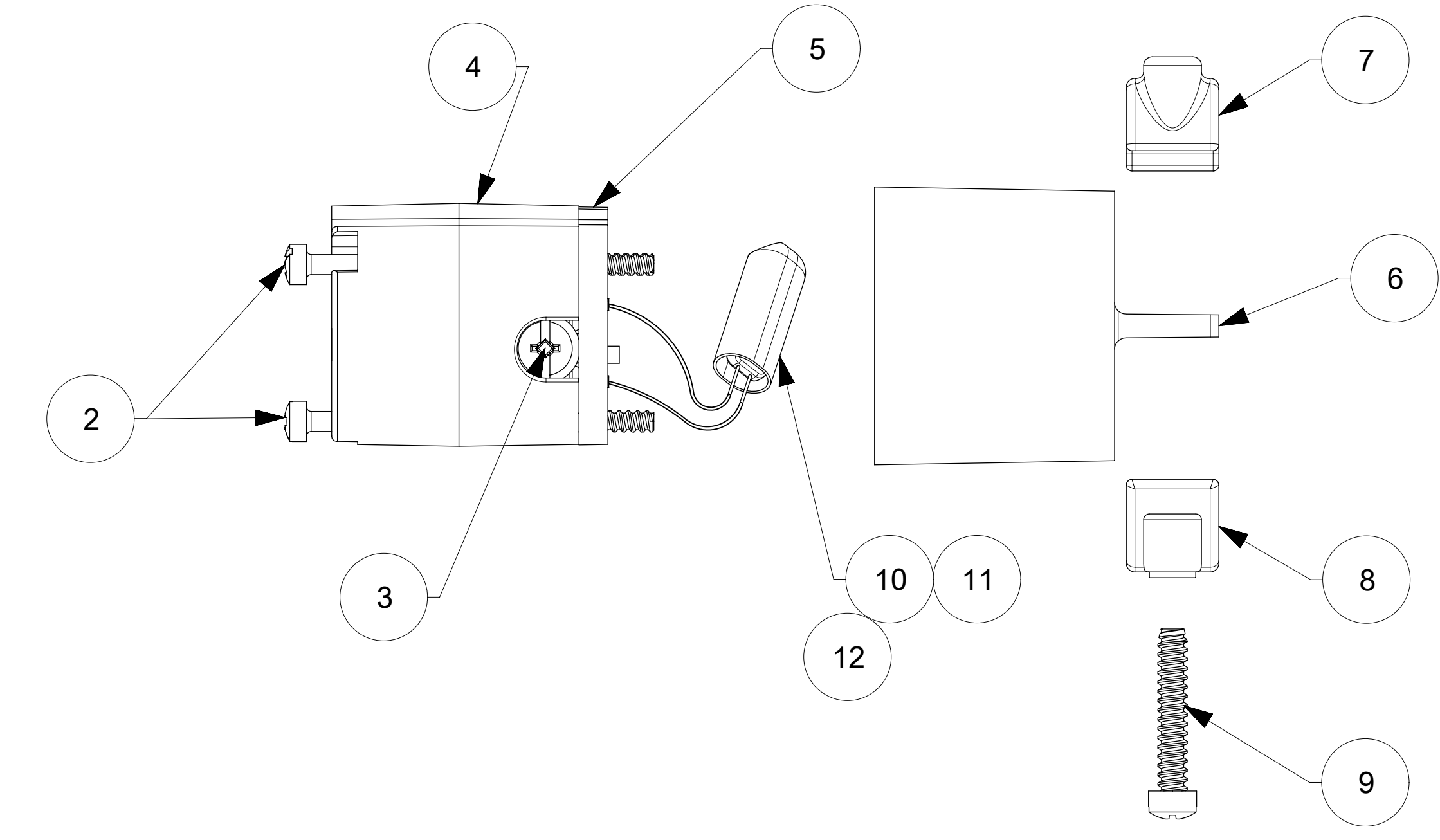


ORDER NO.	WOODHEAD NO.	COLOR
130144-0048	5269L	TRANSPARENT



ITEM NO.	DESCRIPTIONS	MATERIAL	QTY.
1	BLADES	BRASS, NICKEL PLATED	3
2	RETAINING SCREWS	STAINLESS STEEL	3
3	TERMINAL SCREWS/CLAMP ASSEMBLY	BRASS, ZINC PLATED	3
4	INSERT	NYLON	1
5	TERMINAL COVER	POLYCARBONATE	1
6	HOUSING	NYLON	1
7	CLAMP CORD	NYLON	1
8	CLAMP CORD HALF	NYLON	1
9	RETAINING SCREWS	STAINLESS STEEL	2
10	LAMP BULB NEON	GLASS	1
11	LAMP CHAMBER	NYLON	1
12	HEAT SHRINK	PVC PLASTIC	2

SYMBOLS		THIS DRAWING CONTAINS INFORMATION THAT IS PROPRIETARY TO MOLEX ELECTRONIC TECHNOLOGIES, LLC AND SHOULD NOT BE USED WITHOUT WRITTEN PERMISSION	
▽ = 0	INCH[MM]	SCALE	CURRENT REV DESC: NEW RELEASE
▽ = 0	NTS		
▽ = 0	GENERAL TOLERANCES (UNLESS SPECIFIED)		
▽ = 0		MM	INCH
▽ = 0	4 PLACES	±	±
▽ = 0	3 PLACES	±	±
▽ = 0	2 PLACES	±	±
▽ = 0	1 PLACE	±	±
▽ = 0	0 PLACES	±	±
▽ = 0	ANGULAR TOL	± °	
▽ = 0	DRAFT WHERE APPLICABLE MUST REMAIN WITHIN DIMENSIONS	THIRD ANGLE PROJECTION	DRAWING SERIES
			C-SIZE 130144
		EC NO: 621204	2019/02/13
		DRWN: VBASUTHKARP	2019/11/12
		CHK'D: DNGUYEN62	2020/06/01
		APPR: HKNEELAND	
		INITIAL REVISION:	
		DRWN: VBASUTHKARP	2019/02/13
		APPR: HKNEELAND	2020/06/01
DOCUMENT NUMBER		DOC TYPE	DOC PART
1301440048		PSD	000
MATERIAL NUMBER		CUSTOMER	SHEET NUMBER
SEE TABLE		GENERAL MARKET	1 OF 1