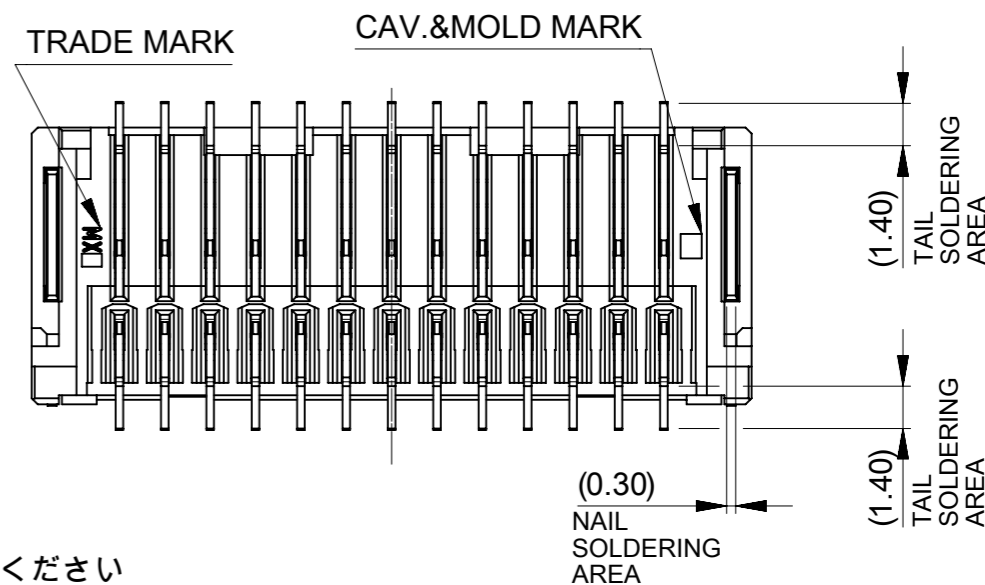
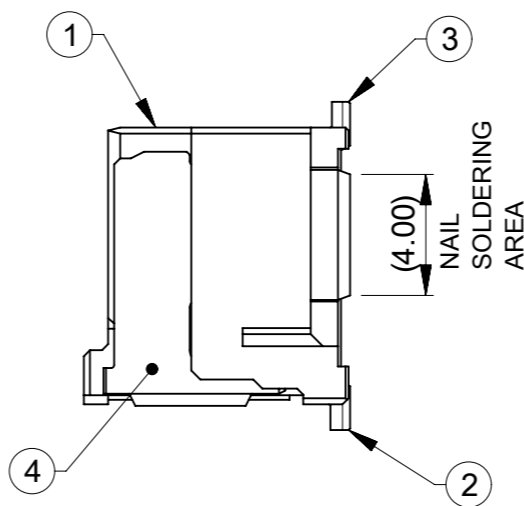
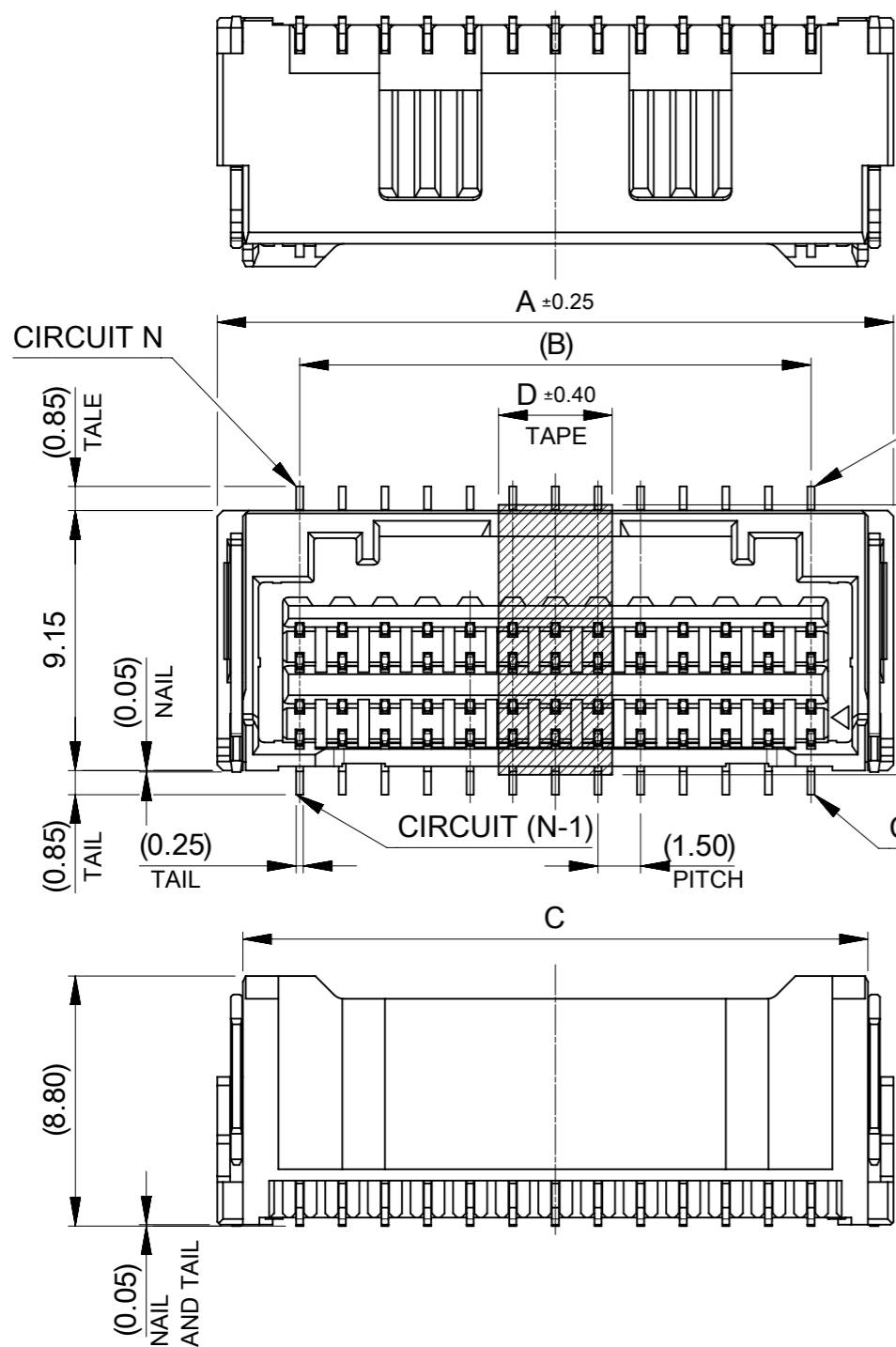
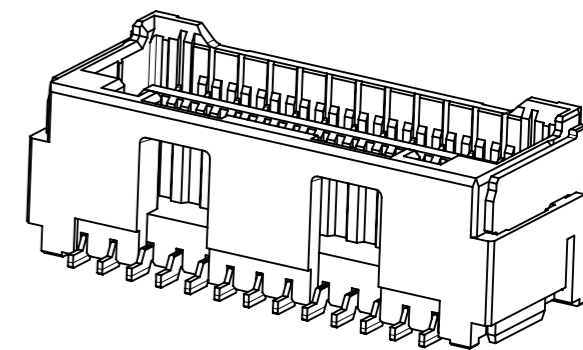


**NOTE**

- 1. 端子テール部およびネイルの平坦度: 0.1mm MAX  
TAIL AND NAIL COPLANARITY TO BE 0.1mm MAX
- 2. (極数/2) = 偶数 に適用  
APPLY FOR (CIRCUIT SIZE/2) = EVEN.
- 3. 関連製品・書類はSHEET5を参照ください  
REFER TO SHEET 5 ABOUT RELATED PRODUCTS AND DOCUMENTS.



4. オーダー番号(製品番号): SHEET 6の製品一覧を参照ください  
ORDER No. (PRODUCT No.) : REFER TO SHEET 6 FOR PRODUCT LIST.

213227 \* \* \* \*  
 シリーズ番号 極数 色  
 SERIES NO CIRCUIT SIZE GOLD PLATING THICKNESS COLOR

| CIRCUIT | No. | GOLD THK [micro-meter] | No. | COLOR         |
|---------|-----|------------------------|-----|---------------|
| 08 ~ 34 | 1   | 0.1                    | 0   | ナチュラル NATURAL |
|         | 3   | 0.38                   | 1   | 黒 BLACK       |
|         | 7   | 0.76                   |     |               |

| 5 | 28.0 | ±0.25 | 24.0 | 29.8 | 34           |
|---|------|-------|------|------|--------------|
|   | 26.5 |       | 22.5 | 28.3 | 32           |
| 4 | 25.0 | ±0.25 | 21.0 | 26.8 | 30           |
|   | 23.5 |       | 19.5 | 25.3 | 28           |
|   | 22.0 |       | 18.0 | 23.8 | 26           |
|   | 20.5 |       | 16.5 | 22.3 | 24           |
|   | 19.0 |       | 15.0 | 20.8 | 22           |
|   | 17.5 |       | 13.5 | 19.3 | 20           |
|   | 16.0 |       | 12.0 | 17.8 | 18           |
| 3 | 14.5 | ±0.2  | 10.5 | 16.3 | 16           |
|   | 13.0 |       | 9.0  | 14.8 | 14           |
|   | 11.5 |       | 7.5  | 13.3 | 12           |
| D | 10.0 | ±0.2  | 6.0  | 11.8 | 10           |
|   | 8.5  |       | 4.5  | 10.3 | 8            |
|   |      |       | B    | A    | 極数<br>CKT NO |

| 番号 NO  | 部品 PART        | 材質 MATERIAL  |  |
|--------|----------------|--|--|
| ①      | ハウジング HOUSING  | ポリアミド(PA) UL94V-0 色 : SEE CHART<br>POLYAMIDE(PA) UL94V-0 COLOR : SEE CHART |  |
| ②<br>③ | ターミナル TERMINAL | 銅合金 COPPER ALLOY   |  |
|        |                | コンタクト部 CONTACT AREA  | 金めっき : 製品一覧参照<br>GOLD PLATING : SEE PRODUCT LIST                         |
|        |                | テール部 TAIL AREA   | 無光沢錫めっき : 1.0 micro-meter MIN<br>MATTE TIN PLATING : 1.0 micro-meter MIN |
| ④      | ネイル NAIL       | 下地めっき(全面) UNDER PLATING (WHOLE SURFACE)                                    | ニッケルめっき : 1.0 micro-meter MIN<br>NICKEL PLATING : 1.0 micro-meter MIN    |
|        |                | 黄銅 BRASS   |  |
|        |                | 無光沢錫めっき : 1.0 micro-meter MIN<br>MATTE TIN PLATING                         |  |
|        |                | ニッケルめっき(下地) : 1.0 micro-meter MIN<br>NICKEL PLATING (UNDER PLATING)        |  |

THIS DRAWING CONTAINS INFORMATION THAT IS PROPRIETARY TO MOLEX ELECTRONIC TECHNOLOGIES, LLC AND SHOULD NOT BE USED WITHOUT WRITTEN PERMISSION

DIMENSION UNITS: mm SCALE: NTS

GENERAL TOLERANCES (UNLESS SPECIFIED):  
 ANGULAR TOL ± 3.0°  
 4 PLACES ± 0.2  
 3 PLACES ± 0.2  
 2 PLACES ± 0.2  
 1 PLACE ± 0.2  
 0 PLACES ± 0.2

DRAFT WHERE APPLICABLE MUST REMAIN WITHIN DIMENSIONS

THIRD ANGLE PROJECTION

DRAWING: A3-SIZE

SERIES: 213227

MATERIAL NUMBER: SEE CHART

CUSTOMER: GENERAL

SHEET NUMBER: 1 OF 6

CURRENT REV DESC:

EC NO: 742719  
 DRWN: MIKEDA01 2023/06/23  
 CHK'D: SAKIYAMA 2023/06/23  
 APPR: AIDA 2023/06/23

INITIAL REVISION:  
 DRWN: MIKEDA01 2019/10/01  
 APPR: KOMURAKAMI 2019/11/20

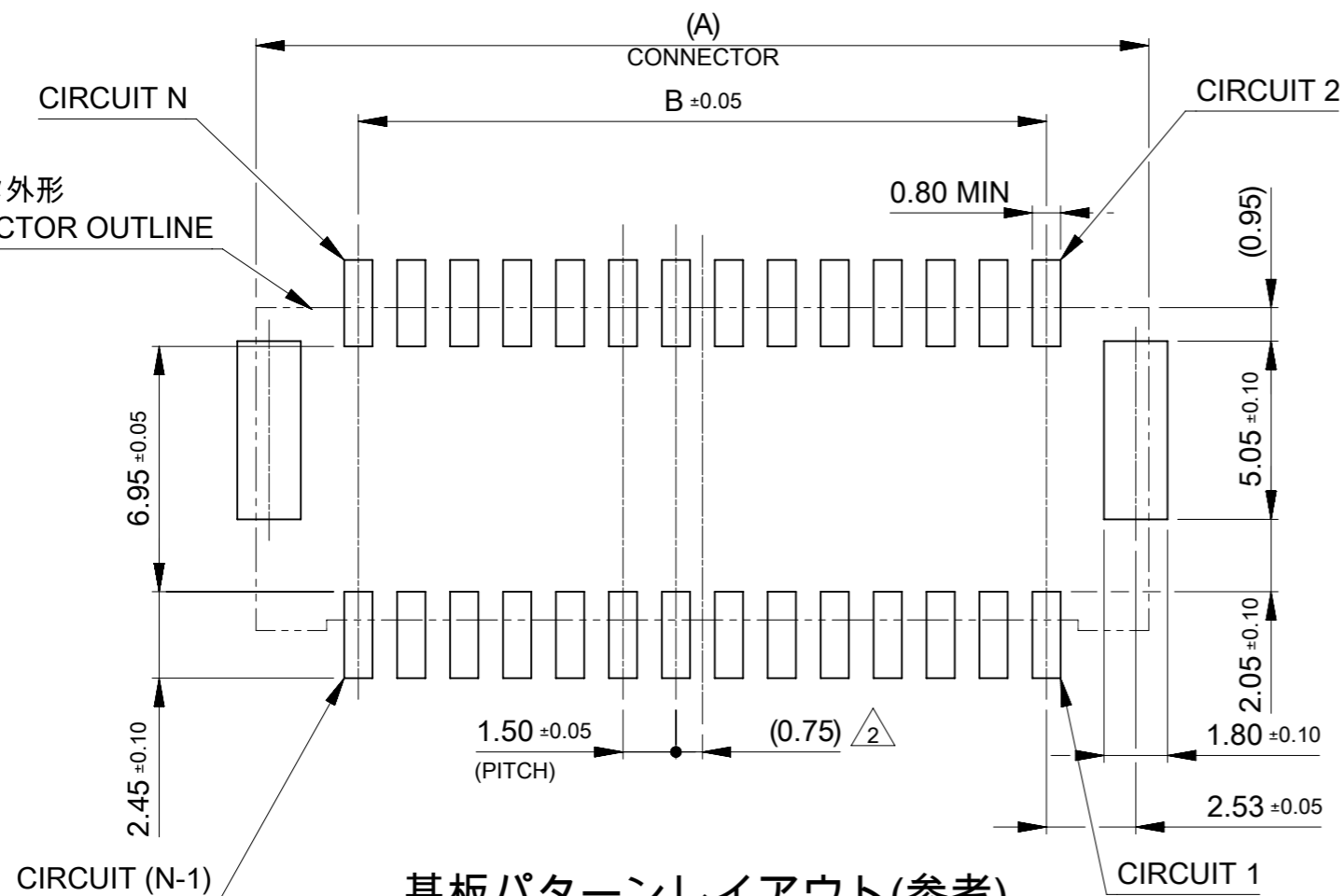
DOCUMENT NUMBER: 2132270000-SD  
 DOC TYPE: PSD  
 DOC PART: 000  
 REVISION: D

**molex**

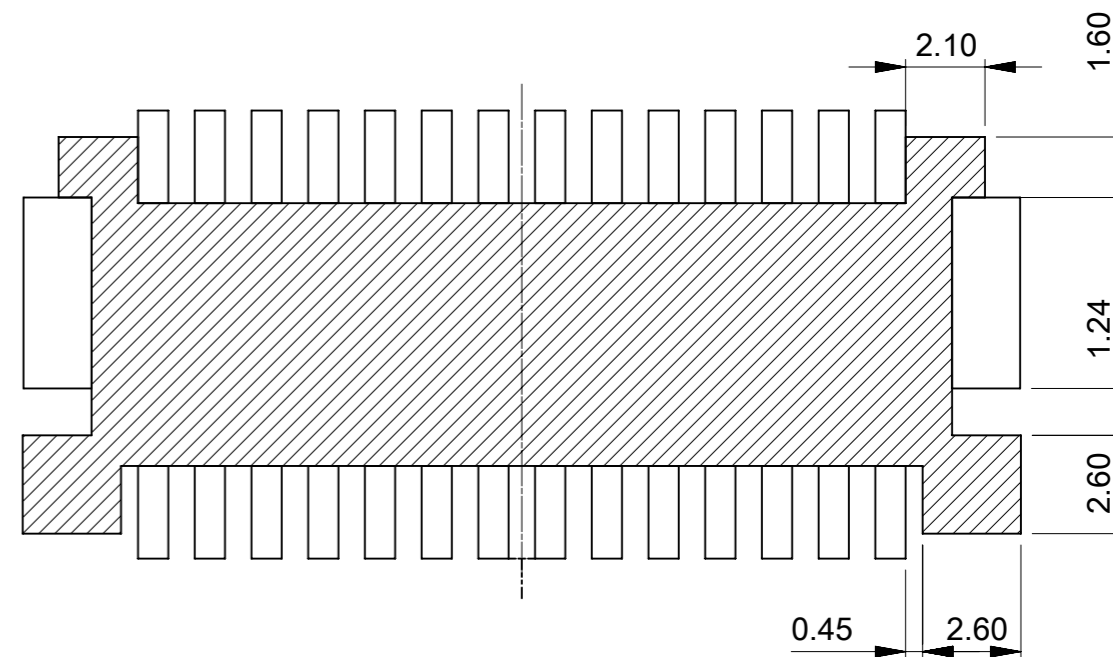
CLIK-MATE 1.5  
 DUAL ROW SMT VT TYPE GOLD PLATING

PRODUCT CUSTOMER DRAWING

CIRCUIT N  
コネクタ外形  
CONNECTOR OUTLINE



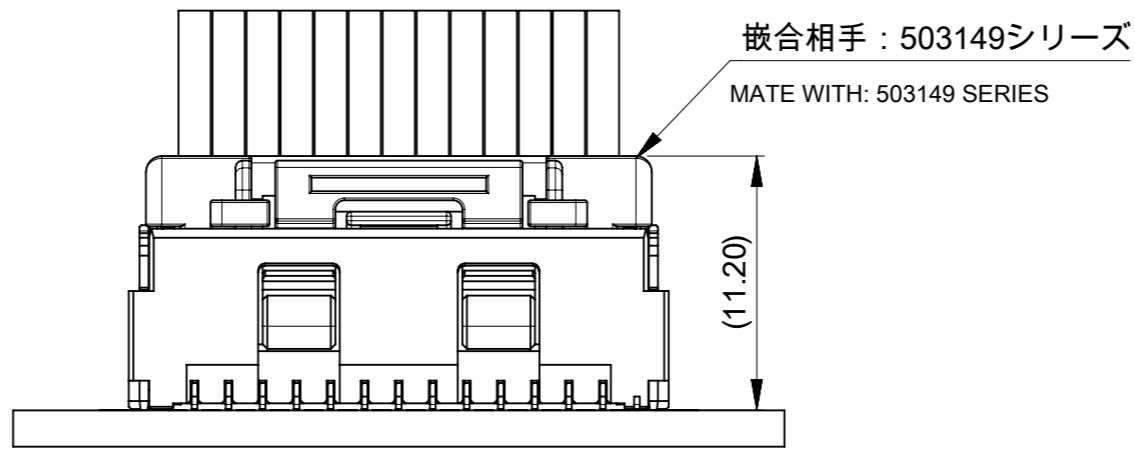
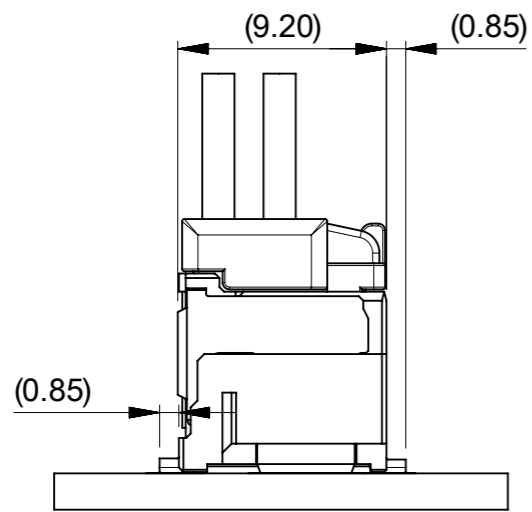
**基板パターンレイアウト(参考)**  
RECCOMENDED PCB PATTERN LAYOUT (REF.)  
(参考 : メタルマスク厚さ 0.10mm, マスク開口率100%)  
(REFERENCE: METAL MASK THICKNESS 0.10MM, APERTURE RATIO 100%)



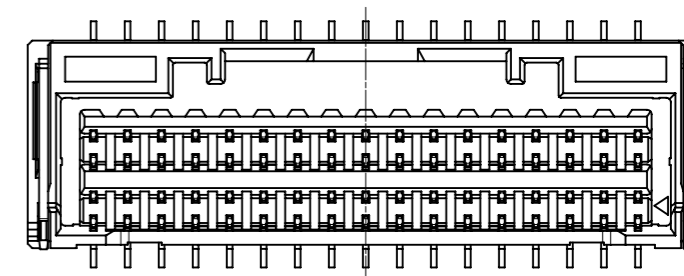
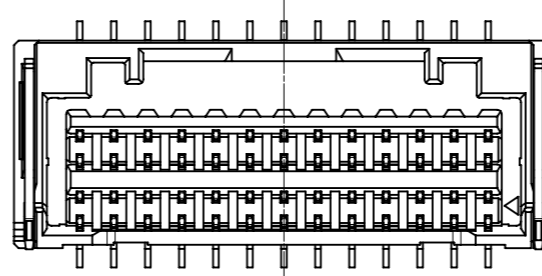
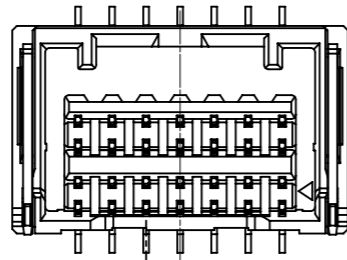
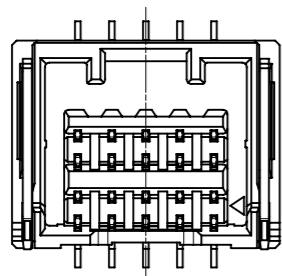
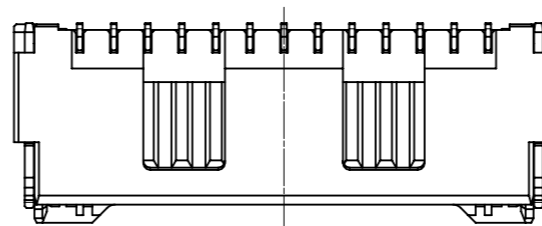
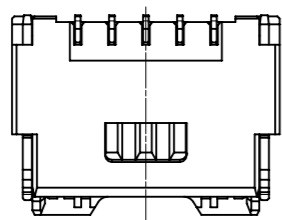
**パターン非推奨エリア**

パターンを引き回す際は、製品機能に影響がないことをご確認ください。  
PATTERN IS NOT RECCOMENDED ON THE HATCHED AREA.  
PLEASE CHECK NOT TO HAVE PROBLEM FOR PRODUCT FUNCTION  
WHEN SETTING PATTERN ON THE HATCHED AREA.

|   |         |                   |            |                 |  |                 |  |              |  |  |
|---|---------|-------------------|------------|-----------------|--|-----------------|--|--------------|--|--|
| THIS DRAWING CONTAINS INFORMATION THAT IS PROPRIETARY TO MOLEX ELECTRONIC TECHNOLOGIES, LLC AND SHOULD NOT BE USED WITHOUT WRITTEN PERMISSION |         |                   |            |                 |  |                 |  |              |  |  |
| DIMENSION UNITS   | SCALE   | CURRENT REV DESC: |            |                 |  |                 | <b>molex</b>                                       |              |  |  |
| mm  | NTS     |                   |            |                 |  |                 |  |              |  |  |
| GENERAL TOLERANCES (UNLESS SPECIFIED)   |         |                   |            |                 |  |                 | CLIK-MATE 1.5<br>DUAL ROW SMT VT TYPE GOLD PLATING |              |  |  |
| ANGULAR TOL   | ± 3.0 ° |                   |            |                 |  |                 | PRODUCT CUSTOMER DRAWING                           |              |  |  |
| 4 PLACES  | ± 0.2   | EC NO: 742719     |            |                 |  | DOCUMENT NUMBER |  |              |  |  |
| 3 PLACES  | ± 0.2   | DRWN: MIKEDA01    | 2023/06/23 |                 |  | 2132270000-SD   |  |              |  |  |
| 2 PLACES  | ± 0.2   | CHK'D: SAKIYAMA   | 2023/06/23 |                 |  | DOC TYPE        | DOC PART   | REVISION     |  |  |
| 1 PLACE   | ± 0.2   | APPR: AIDA        | 2023/06/23 |                 |  | PSD             | 000  | D            |  |  |
| 0 PLACES  | ± 0.2   | INITIAL REVISION: |            |                 |  |                 |  |              |  |  |
| DRAFT WHERE APPLICABLE MUST REMAIN WITHIN DIMENSIONS  |         | DRWN: MIKEDA01    | 2019/10/01 |                 |  |                 |  |              |  |  |
| THIRD ANGLE PROJECTION  |         | APPR: KOMURAKAMI  | 2019/11/20 |                 |  |                 |  |              |  |  |
| DRAWING   |         | SERIES            |            | MATERIAL NUMBER |  | CUSTOMER        |  | SHEET NUMBER |  |  |
| A3-SIZE   |         | 213227            |            | SEE CHART       |  | GENERAL         |  | 2 OF 6       |  |  |



嵌合図  
MATED CONNECTORS

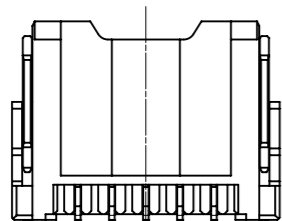


8-10極  
8-10 CKT

12-18極  
12-18 CKT

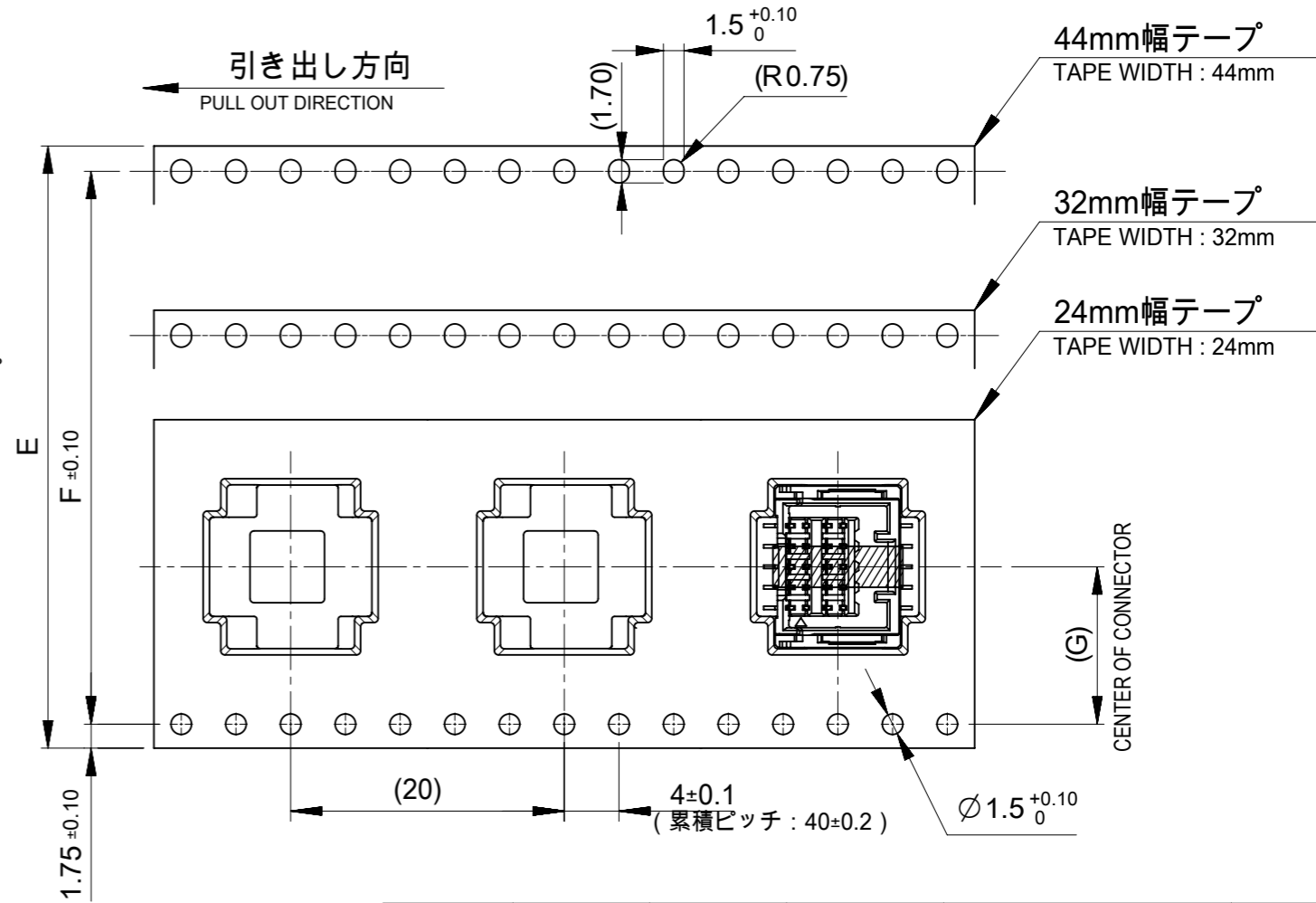
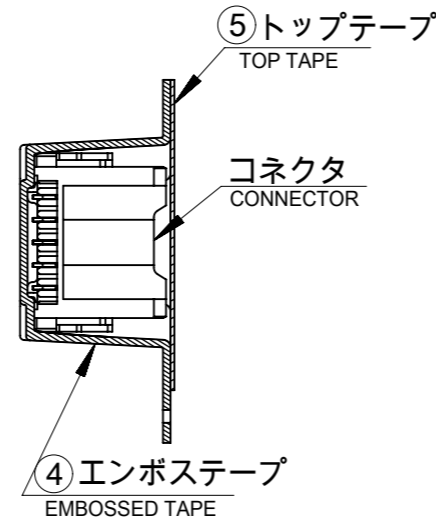
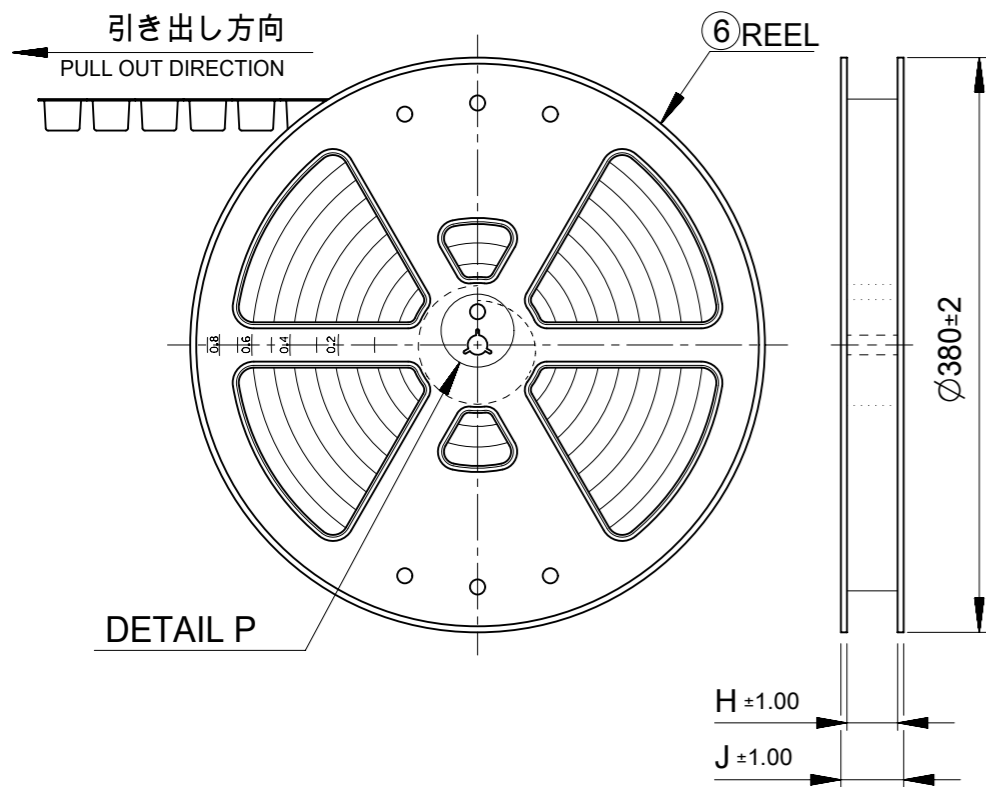
20-28極  
20-28 CKT

30-34極  
30-34 CKT



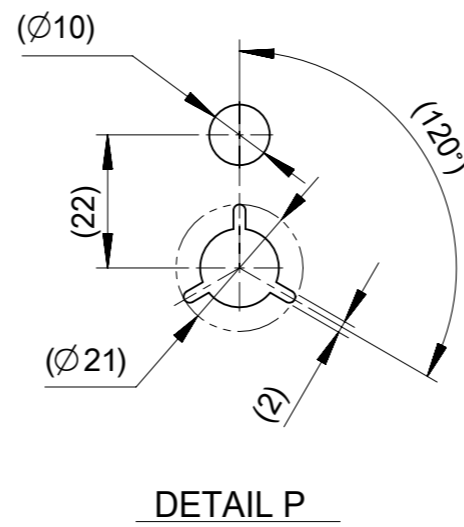
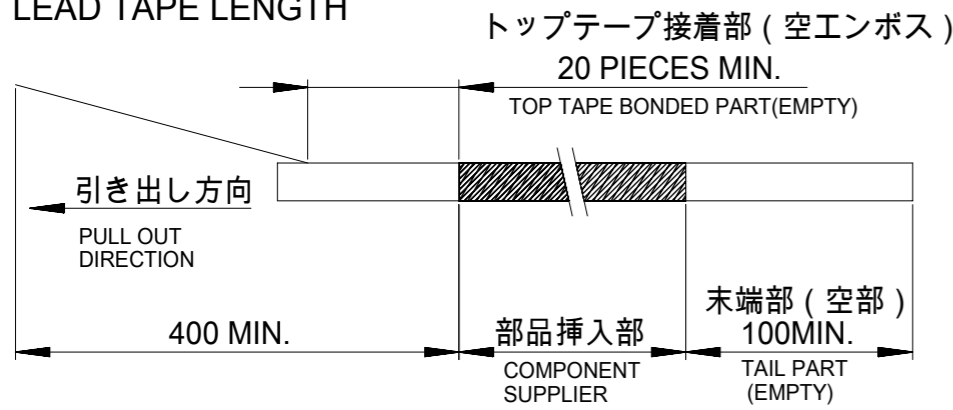
極数別ハウジング形状  
HOUSING SHAPE OF EACH CKTS

|   |         |                        |            |  |                 |
|---|---------|------------------------|------------|--|-----------------|
| THIS DRAWING CONTAINS INFORMATION THAT IS PROPRIETARY TO MOLEX ELECTRONIC TECHNOLOGIES, LLC AND SHOULD NOT BE USED WITHOUT WRITTEN PERMISSION |         | CURRENT REV DESC:      |            | <b>molex</b>                                       |                 |
| DIMENSION UNITS   | SCALE   |                        |            |  |                 |
| mm  | NTS     |                        |            | CLIK-MATE 1.5<br>DUAL ROW SMT VT TYPE GOLD PLATING |                 |
| GENERAL TOLERANCES (UNLESS SPECIFIED)   |         | EC NO: 742719          |            | PRODUCT CUSTOMER DRAWING                           |                 |
| ANGULAR TOL   | ± 3.0 ° | DRWN: MIKEDA01         | 2023/06/23 | DOCUMENT NUMBER                                    |                 |
| 4 PLACES  | ± 0.2   | CHK'D: SAKIYAMA        | 2023/06/23 | 2132270000-SD                                      |                 |
| 3 PLACES  | ± 0.2   | APPR: AIDA             | 2023/06/23 | DOC TYPE   | DOC PART        |
| 2 PLACES  | ± 0.2   | INITIAL REVISION:      |            | PSD  | 000             |
| 1 PLACE   | ± 0.2   | DRWN: MIKEDA01         | 2019/10/01 | REVISION   |                 |
| 0 PLACES  | ± 0.2   | APPR: KOMURAKAMI       | 2019/11/20 | D  |                 |
| DRAFT WHERE APPLICABLE MUST REMAIN WITHIN DIMENSIONS  |         | THIRD ANGLE PROJECTION | DRAWING    | SERIES   | MATERIAL NUMBER |
|   |         |                        | A3-SIZE    | 213227   | CUSTOMER        |
|   |         |                        |            |  | GENERAL         |
|   |         |                        |            |  | SHEET NUMBER    |
|   |         |                        |            |  | 3 OF 6          |



**NOTE**

- 5. 梱包数量 : 450個 / リール  
NUMBER OF CONNECTORS : 450 PIECES/REEL
- 6. リードテープ長さ  
LEAD TAPE LENGTH



- 7. トップテープの剥離強度はJIS C0806-3に準拠  
TOP TAPE PEELING OFF FORCE IS DEFINED BY JIS C0806-3
- 8. 本製品は乾燥剤入り、ハイバリア梱包である  
THIS PRODUCT IS DELIVERED IN HIGH BARRIER PACKAGE WITH DESICCANT.

|   |   |   |   |                                    |         |
|---|---|---|---|------------------------------------|---------|
|   |   |   |   |                                    | 34      |
|   |   |   |   |                                    | 32      |
|   |   |   |   |                                    | 30      |
|   |   |   |   |                                    | 28      |
|   |   |   |   | 44±0.3                             | 26      |
|   |   |   |   |                                    | 24      |
|   |   |   |   |                                    | 22      |
|   |   |   |   |                                    | 20      |
|   |   |   |   |                                    | 18      |
|   |   |   |   |                                    | 16      |
|   |   |   |   | 32±0.3                             | 14      |
|   |   |   |   |                                    | 12      |
|   |   |   |   | 24 <sup>+0.3</sup> <sub>-0.1</sub> | 10      |
|   |   |   |   |                                    | 8       |
| J | H | G | F | エンボステープ幅E<br>WIDTH OF TAPE         | CKT NO. |

THIS DRAWING CONTAINS INFORMATION THAT IS PROPRIETARY TO MOLEX ELECTRONIC TECHNOLOGIES, LLC AND SHOULD NOT BE USED WITHOUT WRITTEN PERMISSION

|  |       |                             |         |                                   |                 |
|--|-------|-----------------------------|---------|-----------------------------------|-----------------|
| DIMENSION UNITS                                      | SCALE | CURRENT REV DESC:           |         | <b>molex</b>                      |                 |
| mm   | NTS   |                             |         |                                   |                 |
| GENERAL TOLERANCES (UNLESS SPECIFIED)                |       | EC NO: 742719               |         | CLIK-MATE 1.5                     |                 |
| ANGULAR TOL ± 3.0°                                   |       | DRWN: MIKEDA01 2023/06/23   |         | DUAL ROW SMT VT TYPE GOLD PLATING |                 |
| 4 PLACES ± 0.2                                       |       | CHK'D: SAKIYAMA 2023/06/23  |         | PRODUCT CUSTOMER DRAWING          |                 |
| 3 PLACES ± 0.2                                       |       | APPR: AIDA 2023/06/23       |         | DOCUMENT NUMBER                   |                 |
| 2 PLACES ± 0.2                                       |       | INITIAL REVISION:           |         | DOC TYPE                          |                 |
| 1 PLACE ± 0.2  |       | DRWN: MIKEDA01 2019/10/01   |         | DOC PART                          |                 |
| 0 PLACES ± 0.2                                       |       | APPR: KOMURAKAMI 2019/11/20 |         | REVISION                          |                 |
| DRAFT WHERE APPLICABLE MUST REMAIN WITHIN DIMENSIONS |       | THIRD ANGLE PROJECTION      | DRAWING | SERIES                            | MATERIAL NUMBER |
|  |       |                             | A3-SIZE | 213227                            | CUSTOMER        |
|  |       |                             |         |                                   | SEE CHART       |
|  |       |                             |         |                                   | GENERAL         |
|  |       |                             |         |                                   | SHEET NUMBER    |
|  |       |                             |         |                                   | 4 OF 6          |

| 番号 No. | 部品 PART                   | 材質 MATERIAL  |
|--------|---------------------------|--|
| ④      | エンボステープ<br>EMBOSSSED TAPE | ポリスチレン(PS)<br>POLYSTYLENE  |
| ⑤      | トップテープ<br>TOP TAPE        | ポリエチレン、ポリエチレンテレフタレート<br>POLYETHYLENE (PE), POLYETHYLENE TELEPHTHALATE(PET) |
| ⑥      | リール<br>REEL               | ポリスチレン (リサイクル材を含む)<br>POLYSTYLENE (CONTAINED RECYCLED MATERIAL)            |

△ 3 適用製品及び各種仕様書  
 APPLICABLE PRODUCTS AND VARIOUS SPECIFICATIONS

|                                  |                            |                                   |
|----------------------------------|----------------------------|-----------------------------------|
| 梱包仕様書<br>PACKAGING SPECIFICATION | PART NUMBER<br>213227 **** | DOCUMENT NUMBER<br>2132279200-SPK |
|----------------------------------|----------------------------|-----------------------------------|

|  |                      |                         |             |             |
|--|----------------------|-------------------------|-------------|-------------|
| 適用嵌合相手<br>MATE WITH                      | HOUSING              | TERMINAL (GOLD PLATING) |             |             |
|  |                      | PLATING THK             | #24-28      | #28-30      |
| 製品番号<br>PRODUCT NUMBER                   | 503149 ****          | 0.1 micro-meters        | 213028 1*00 | 213029 1*00 |
|  |                      | 0.38 micro-meters       | 213028 3*00 | 213029 3*00 |
|  |                      | 0.76 micro-meters       | 213028 7*00 | 213029 7*00 |
| 製品仕様書<br>PRODUCT SPECIFICATION           | 5031490002-PS/PS/000 |                         |             |             |
| アプリケーション仕様書<br>APPLICATION SPECIFICATION | AS-503149-001        |                         |             |             |

|   |         |  |         |         |                 |              |  |  |              |  |          |          |          |
|---|---------|--|---------|---------|-----------------|--------------|--|--|--------------|--|----------|----------|----------|
| THIS DRAWING CONTAINS INFORMATION THAT IS PROPRIETARY TO MOLEX ELECTRONIC TECHNOLOGIES, LLC AND SHOULD NOT BE USED WITHOUT WRITTEN PERMISSION |         |  |         |         |                 |              |  |  |              |  |          |          |          |
| DIMENSION UNITS   | SCALE   | CURRENT REV DESC:  |         |         |                 |              | molex  |  |              |  |          |          |          |
| mm  | NTS     |  |         |         |                 |              | CLIK-MATE 1.5<br>DUAL ROW SMT VT TYPE GOLD PLATING |  |              |  |          |          |          |
| GENERAL TOLERANCES (UNLESS SPECIFIED)   |         | EC NO: 742719<br>DRWN: MIKEDA01 2023/06/23<br>CHK'D: SAKIYAMA 2023/06/23<br>APPR: AIDA 2023/06/23<br>INITIAL REVISION:<br>DRWN: MIKEDA01 2019/10/01<br>APPR: KOMURAKAMI 2019/11/20 |         |         |                 |              | PRODUCT CUSTOMER DRAWING                           |  |              |  |          |          |          |
| ANGULAR TOL   | ± 3.0 ° |  |         |         |                 |              | DOCUMENT NUMBER                                    |  |              |  | DOC TYPE | DOC PART | REVISION |
| 4 PLACES  | ± 0.2   |  |         |         |                 |              | 2132270000-SD                                      |  |              |  | PSD      | 000      | D        |
| 3 PLACES  | ± 0.2   |  |         |         |                 |              | MATERIAL NUMBER                                    |  |              |  | CUSTOMER |          |          |
| 2 PLACES  | ± 0.2   |  |         |         |                 |              | SEE CHART  |  |              |  | GENERAL  |          |          |
| 1 PLACE   | ± 0.2   |  |         |         |                 |              | A3-SIZE  |  |              |  | 213227   |          |          |
| 0 PLACES  | ± 0.2   | DRAWING  |         |         |                 | SHEET NUMBER |  |  |              |  |          |          |          |
| DRAFT WHERE APPLICABLE MUST REMAIN WITHIN DIMENSIONS  |         | THIRD ANGLE PROJECTION   | DRAWING | SERIES  | MATERIAL NUMBER |              | CUSTOMER   |  | SHEET NUMBER |  |          |          |          |
|   |         |  |         | A3-SIZE | 213227          |              | 5 OF 6   |  |              |  |          |          |          |

|                 |    |              |            |          |
|-----------------|----|--------------|------------|----------|
| DOCUMENT STATUS | P1 | RELEASE DATE | 2023/06/23 | 10:36:44 |
|-----------------|----|--------------|------------|----------|

4 製品一覧  
PRODUCTS LIST

| 黒 BLACK         | ナチュラル NATURAL | HOUSING COLOR |   |          |
|-----------------|---------------|---------------|---|----------|
| 213227 3411     | 213227 3410   | 34            | 213227 **1*<br>(GOLD PLATING<br>THICKNESS: 0.1<br>micro-meters MIN) |          |
| 213227 3211     | 213227 3210   | 32            |   |          |
| 213227 3011     | 213227 3010   | 30            |   |          |
| 213227 2811     | 213227 2810   | 28            |   |          |
| 213227 2611     | 213227 2610   | 26            |   |          |
| 213227 2411     | 213227 2410   | 24            |   |          |
| 213227 2211     | 213227 2210   | 22            |   |          |
| 213227 2011     | 213227 2010   | 20            |   |          |
| 213227 1811     | 213227 1810   | 18            |   |          |
| 213227 1611     | 213227 1610   | 16            |   |          |
| 213227 1411     | 213227 1410   | 14            |   |          |
| 213227 1211     | 213227 1210   | 12            |   |          |
| 213227 1011     | 213227 1010   | 10            |   |          |
| 213227 0811     | 213227 0810   | 8             |   |          |
| オーダー番号 ORDER No |               | 極数<br>CKT     |   | MODEL NO |

| 黒 BLACK         | ナチュラル NATURAL | HOUSING COLOR |  |          |
|-----------------|---------------|---------------|--|----------|
| 213227 3431     | 213227 3430   | 34            | 213227 **3*<br>(GOLD PLATING<br>THICKNESS: 0.38<br>micro-meters MIN) |          |
| 213227 3231     | 213227 3230   | 32            |  |          |
| 213227 3031     | 213227 3030   | 30            |  |          |
| 213227 2831     | 213227 2830   | 28            |  |          |
| 213227 2631     | 213227 2630   | 26            |  |          |
| 213227 2431     | 213227 2430   | 24            |  |          |
| 213227 2231     | 213227 2230   | 22            |  |          |
| 213227 2031     | 213227 2030   | 20            |  |          |
| 213227 1831     | 213227 1830   | 18            |  |          |
| 213227 1631     | 213227 1630   | 16            |  |          |
| 213227 1431     | 213227 1430   | 14            |  |          |
| 213227 1231     | 213227 1230   | 12            |  |          |
| 213227 1031     | 213227 1030   | 10            |  |          |
| 213227 0831     | 213227 0830   | 8             |  |          |
| オーダー番号 ORDER No |               | 極数<br>CKT     |  | MODEL NO |

| 黒 BLACK         | ナチュラル NATURAL | HOUSING COLOR |   |          |
|-----------------|---------------|---------------|---|----------|
| 213227 3471     | 213227 3470   | 34            | 213227 **7*<br>(GOLD PLATING<br>THICKNESS: 0.76<br>micro-meters MIN.) |          |
| 213227 3271     | 213227 3270   | 32            |   |          |
| 213227 3071     | 213227 3070   | 30            |   |          |
| 213227 2871     | 213227 2870   | 28            |   |          |
| 213227 2671     | 213227 2670   | 26            |   |          |
| 213227 2471     | 213227 2470   | 24            |   |          |
| 213227 2271     | 213227 2270   | 22            |   |          |
| 213227 2071     | 213227 2070   | 20            |   |          |
| 213227 1871     | 213227 1870   | 18            |   |          |
| 213227 1671     | 213227 1670   | 16            |   |          |
| 213227 1471     | 213227 1470   | 14            |   |          |
| 213227 1271     | 213227 1270   | 12            |   |          |
| 213227 1071     | 213227 1070   | 10            |   |          |
| 213227 0871     | 213227 0870   | 8             |   |          |
| オーダー番号 ORDER No |               | 極数<br>CKT     |   | MODEL NO |

|   |  |                        |  |  |        |                 |          |                 |              |          |          |          |  |
|---|--|------------------------|--|--|--------|-----------------|----------|-----------------|--------------|----------|----------|----------|--|
| THIS DRAWING CONTAINS INFORMATION THAT IS PROPRIETARY TO MOLEX ELECTRONIC TECHNOLOGIES, LLC AND SHOULD NOT BE USED WITHOUT WRITTEN PERMISSION |  |                        |  |  |        |                 |          |                 |              |          |          |          |  |
| DIMENSION UNITS   |  | SCALE                  |  | CURRENT REV DESC:  |        |                 |          | <b>molex</b>    |              |          |          |          |  |
| mm  |  | NTS                    |  |  |        |                 |          |                 |              |          |          |          |  |
| GENERAL TOLERANCES (UNLESS SPECIFIED)   |  |                        |  | EC NO: 742719<br>DRWN: MIKEDA01 2023/06/23<br>CHK'D: SAKIYAMA 2023/06/23<br>APPR: AIDA 2023/06/23<br>INITIAL REVISION:<br>DRWN: MIKEDA01 2019/10/01<br>APPR: KOMURAKAMI 2019/11/20 |        |                 |          | DOCUMENT NUMBER |              | DOC TYPE | DOC PART | REVISION |  |
| ANGULAR TOL ± 3.0 °   |  |                        |  |  |        |                 |          | 2132270000-SD   |              | PSD      | 000      | D        |  |
| 4 PLACES ± 0.2  |  |                        |  |  |        |                 |          |                 |              |          |          |          |  |
| 3 PLACES ± 0.2  |  |                        |  |  |        |                 |          |                 |              |          |          |          |  |
| 2 PLACES ± 0.2  |  |                        |  |  |        |                 |          |                 |              |          |          |          |  |
| 1 PLACE ± 0.2   |  |                        |  |  |        |                 |          |                 |              |          |          |          |  |
| 0 PLACES ± 0.2  |  |                        |  |  |        |                 |          |                 |              |          |          |          |  |
| DRAFT WHERE APPLICABLE MUST REMAIN WITHIN DIMENSIONS  |  | THIRD ANGLE PROJECTION |  | DRAWING  | SERIES | MATERIAL NUMBER | CUSTOMER |                 | SHEET NUMBER |          |          |          |  |
|   |  |                        |  | A3-SIZE  | 213227 | SEE CHART       | GENERAL  |                 | 6 OF 6       |          |          |          |  |