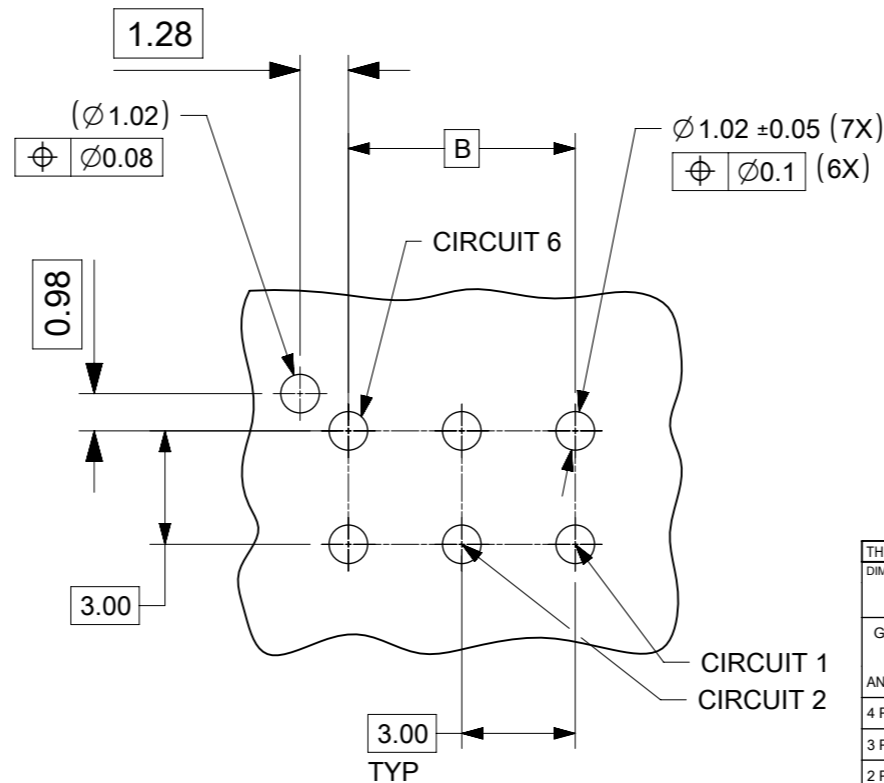
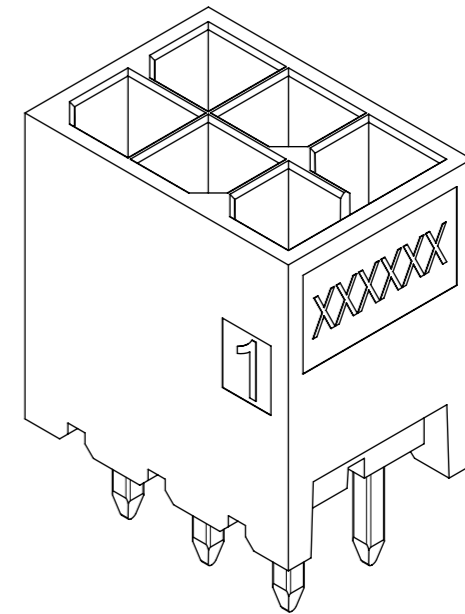
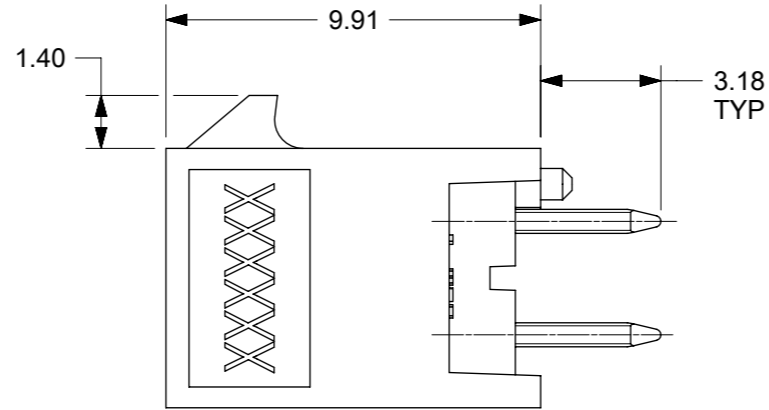
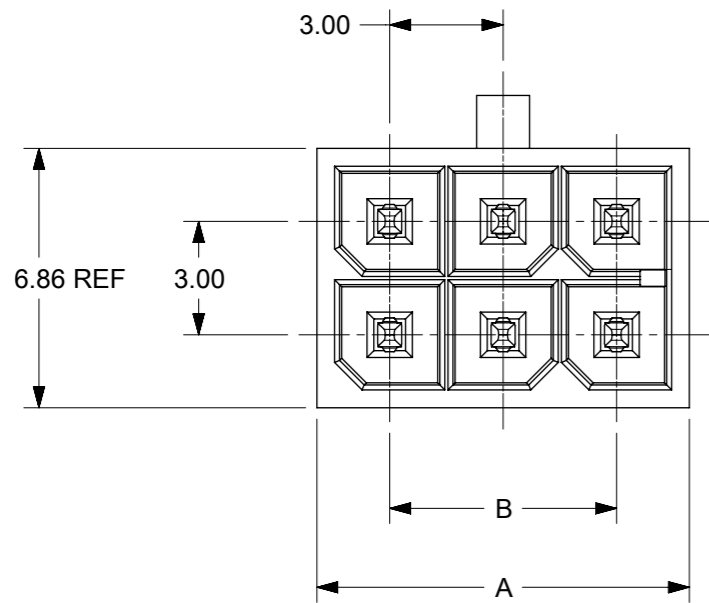
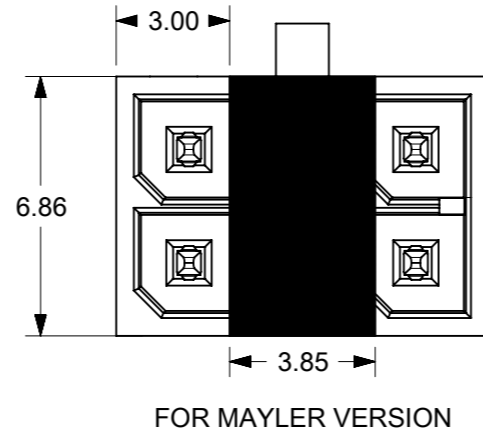
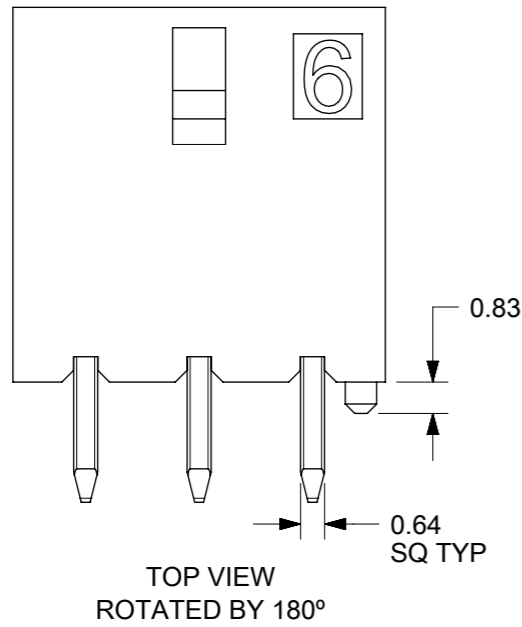


CKT	A	B
2	3.85	NA
4	6.85	3
6	9.85	6
8	12.85	9
10	15.85	12
12	18.85	15
14	21.85	18
16	24.85	21
18	27.85	24
20	30.85	27
22	33.85	30
24	36.85	33



PCB LAYOUT: COMPONENT SIDE
RECOMENDED PCB THICKNESS: .062/1.57 Max.

NOTES:


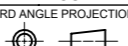
- HOSING MATERIAL: GLASS FILLED LIQUID CRYSTAL POLYMER, UL 94V-0, COLOR: BLACK
TERMINAL MATERIAL: HIGH COPPER ALLOY
- FINISH:
OPTION 1: TIN OVER NICKEL OVERALL
OPTION 2: SELECT 15MICROINCH GOLD AND SELECT MATTE TIN OVER NICKEL.
OPTION 3: SELECT 30MICROINCH GOLD AND SELECT MATTE TIN OVER NICKEL.
- PRODUCT SPECIFICATION : 2064600000-PS
- TRAY PACK : 2068320000-PK
TAPE REEL PACK : 2068320001-PK
- MATE WITH RECEPTACLE 206461
- THIS PART CONFORMS TO CLASS 'B' REQUIREMENTS OF COSMETIC SPECIFICATION PS-45499-002.

DIMENSION UNITS		SCALE	CURRENT REV DESC:		
mm		5:1	molex		
GENERAL TOLERANCES (UNLESS SPECIFIED)			V HDR ASSY BANDO MICRO-FIT + SOLUTION		
ANGULAR TOL ± 0.5°			PRODUCT CUSTOMER DRAWING		
4 PLACES ±			DOCUMENT NUMBER		
3 PLACES ±			2068320000-SD		
2 PLACES ± 0.25			DOC TYPE		
1 PLACE ± 0.36			PSD		
0 PLACES ±			DOC PART		
DRAFT WHERE APPLICABLE MUST REMAIN WITHIN DIMENSIONS			000		
THIRD ANGLE PROJECTION		DRAWING	SERIES	MATERIAL NUMBER	CUSTOMER
A3-SIZE		206832	2018/05/08	2019/04/02	GENERAL MARKET
SHEET NUMBER		1 OF 4			

TIN PLATING				30 MICROINCH GOLD				15 MICROINCH GOLD				TIN PLATING												
TRAY PACKAGING -2068320000-PK				TRAY PACKAGING -2068320000-PK				TRAY PACKAGING -2068320000-PK				T&R PACKAGING -2068320001-PK												
CKT	VRT HDR ASSY PN	POLARIZATION	COLOR	CKT	VRT HDR ASSY PN	POLARIZATION	COLOR	CKT	VRT HDR ASSY PN	POLARIZATION	COLOR	CKT	VRT HDR ASSY PN	POLARIZATION	COLOR									
F	2068320201	A	BLACK	2	2068320203	A	BLACK	2	2068320202	A	BLACK	2	206832-0221	A	BLACK									
	2242460210	B	NATURAL		2242460212	B	NATURAL		2242460211	B	NATURAL													
	2242460220	C	RED		2242460222	C	RED		2242460221	C	RED													
	2242460230	D	BLUE		2242460232	D	BLUE		2242460231	D	BLUE													
	2242460240	E	YELLOW		2242460242	E	YELLOW		2242460241	E	YELLOW													
4	2068320401	A	BLACK	4	2068320403	A	BLACK	4	2068320402	A	BLACK		12			206832-1221	A	BLACK						
	2242460410	B	NATURAL		2242460412	B	NATURAL		2242460411	B	NATURAL													
	2242460420	C	RED		2242460422	C	RED		2242460421	C	RED													
	2242460430	D	BLUE		2242460432	D	BLUE		2242460431	D	BLUE													
	2242460440	E	YELLOW		2242460442	E	YELLOW		2242460441	E	YELLOW													
E	2068320601	A	BLACK	6	2068320603	A	BLACK	6	2068320602	A	BLACK		14			206832-1421			A	BLACK				
	2242460610	B	NATURAL		2242460612	B	NATURAL		2242460611	B	NATURAL													
	2242460620	C	RED		2242460622	C	RED		2242460621	C	RED													
	2242460630	D	BLUE		2242460632	D	BLUE		2242460631	D	BLUE													
	2242460640	E	YELLOW		2242460642	E	YELLOW		2242460641	E	YELLOW													
8	2068320801	A	BLACK	8	2068320803	A	BLACK	8	2068320802	A	BLACK		16			206832-1621					A	BLACK		
	2242460810	B	NATURAL		2242460812	B	NATURAL		2242460811	B	NATURAL													
	2242460820	C	RED		2242460822	C	RED		2242460821	C	RED													
	2242460830	D	BLUE		2242460832	D	BLUE		2242460831	D	BLUE													
	2242460840	E	YELLOW		2242460842	E	YELLOW		2242460841	E	YELLOW													
D	2068321001	A	BLACK	10	2068321003	A	BLACK	10	2068321002	A	BLACK		18			206832-1821							A	BLACK
	2242461010	B	NATURAL		2242461012	B	NATURAL		2242461011	B	NATURAL													
	2242461020	C	RED		2242461022	C	RED		2242461021	C	RED													
	2242461030	D	BLUE		2242461032	D	BLUE		2242461031	D	BLUE													
	2242461040	E	YELLOW		2242461042	E	YELLOW		2242461041	E	YELLOW													
12	2068321201	A	BLACK	12	2068321203	A	BLACK	12	2068321202	A	BLACK	20	206832-2021	A	BLACK									
	2242461210	B	NATURAL		2242461212	B	NATURAL		2242461211	B	NATURAL													
	2242461220	C	RED		2242461222	C	RED		2242461221	C	RED													
	2242461230	D	BLUE		2242461232	D	BLUE		2242461231	D	BLUE													
	2242461240	E	YELLOW		2242461242	E	YELLOW		2242461241	E	YELLOW													
14	2068321401	A	BLACK	14	2068321403	A	BLACK	14	2068321402	A	BLACK	22	206832-2221			A	BLACK							
16	2068321601	A	BLACK	16	2068321603	A	BLACK	16	2068321602	A	BLACK	24	206832-2421											
18	2068321801	A	BLACK	18	2068321803	A	BLACK	18	2068321802	A	BLACK													
20	2068322001	A	BLACK	20	2068322003	A	BLACK	20	2068322002	A	BLACK													
22	2068322201	A	BLACK	22	2068322203	A	BLACK	22	2068322202	A	BLACK													
24	206832-2401	A	BLACK	24	206832-2403	A	BLACK	24	2068322402	A	BLACK													

15 MICROINCH GOLD			
T&R PACKAGING -2068320001-PK			
CKT	VRT HDR ASSY PN	POLARIZATION	COLOR
2	206832-0222	A	BLACK
4	206832-0422		
6	206832-0622		
8	206832-0822		
10	206832-1022		
12	206832-1222		
14	206832-1422		
16	206832-1622		
18	206832-1822		
20	206832-2022		
22	206832-2222		
24	206832-2422		

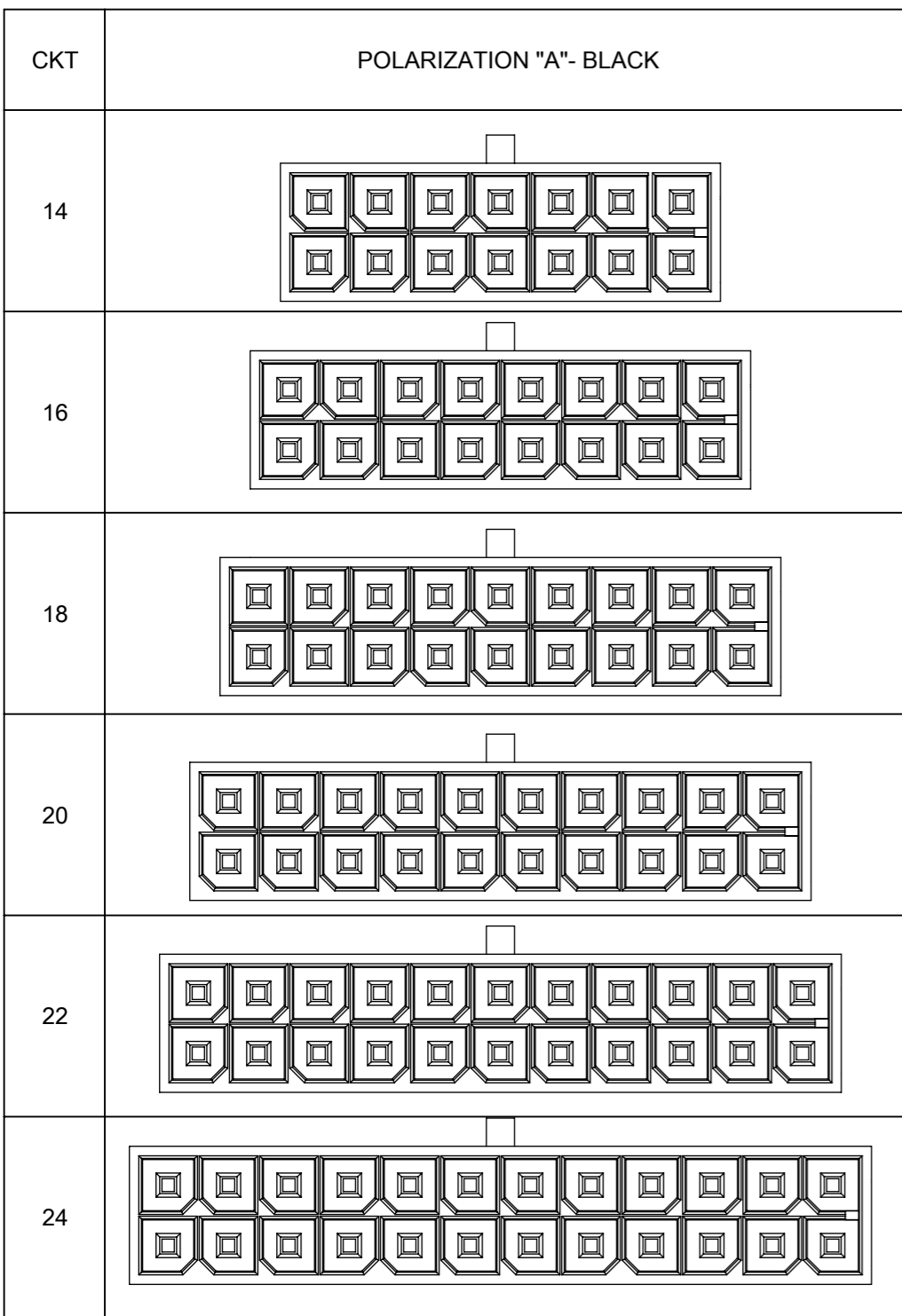
30 MICROINCH GOLD			
T&R PACKAGING -2068320001-PK			
CKT	VRT HDR ASSY PN	POLARIZATION	COLOR
2	206832-0223	A	BLACK
4	206832-0423		
6	206832-0623		
8	206832-0823		
10	206832-1023		
12	206832-1223		
14	206832-1423		
16	206832-1623		
18	206832-1823		
20	206832-2023		
22	206832-2223		
24	206832-2423		

THIS DRAWING CONTAINS INFORMATION THAT IS PROPRIETARY TO MOLEX ELECTRONIC TECHNOLOGIES, LLC AND SHOULD NOT BE USED WITHOUT WRITTEN PERMISSION											
DIMENSION UNITS		SCALE		CURRENT REV DESC:							
mm		1:1									
GENERAL TOLERANCES (UNLESS SPECIFIED)				EC NO: 760703		2023/03/30		V HDR ASSY BANDO MICRO-FIT + SOLUTION			
ANGULAR TOL ± 0.5°				DRWN: VENKASS		2023/08/24					
4 PLACES ±				CHK'D: VENKASS		2023/08/24		PRODUCT CUSTOMER DRAWING			
3 PLACES ±				APPR: MRAMAKRISHNA		2023/08/24					
2 PLACES ± 0.25				INITIAL REVISION:				DOCUMENT NUMBER		DOC TYPE DOC PART REVISION	
1 PLACE ± 0.36				DRWN: SMAHAJANSHET		2018/05/08		2068320000-SD		PSD 000 C	
0 PLACES ±				APPR: NCSR		2019/04/02					
DRAFT WHERE APPLICABLE MUST REMAIN WITHIN DIMENSIONS				THIRD ANGLE PROJECTION		DRAWING		SERIES		MATERIAL NUMBER CUSTOMER SHEET NUMBER	
						A3-SIZE		206832		SEE TABLE GENERAL MARKET 2 OF 4	

CKT	POLARIZATION "A"- BLACK	POLARIZATION "B"- NATURAL	POLARIZATION "C" - RED	POLARIZATION "D" - BLUE	POLARIZATION "E" - YELLOW
2					
4					
6					
8					
10					
12					

Ⓢ

SYMBOLS = 0 = 0 = 0 = 0 = 0 = 0 = 0 = 0 = 0 = 0	THIS DRAWING CONTAINS INFORMATION THAT IS PROPRIETARY TO MOLEX ELECTRONIC TECHNOLOGIES, LLC AND SHOULD NOT BE USED WITHOUT WRITTEN PERMISSION DIMENSION UNITS: mm SCALE: 1:1		CURRENT REV DESC: EC NO: 760703 DRWN: VENKAS5 2023/03/30 CHK'D: VENKAS5 2023/08/24 APPR: MRAMAKRISHNA 2023/08/24			 V HDR ASSY BANDO MICRO-FIT + SOLUTION		
	GENERAL TOLERANCES (UNLESS SPECIFIED) ANGULAR TOL ± 0.5°		INITIAL REVISION: DRWN: SMAHAJANSHET 2018/05/08 APPR: NCSR 2019/04/02					
	4 PLACES ± 3 PLACES ± 2 PLACES ± 0.13 1 PLACE ± 0.25 0 PLACES ±		THIRD ANGLE PROJECTION 			DOCUMENT NUMBER: 2068320000-SD DOC TYPE: PSD DOC PART: 000 REVISION: C		
	DRAFT WHERE APPLICABLE MUST REMAIN WITHIN DIMENSIONS		DRAWING: A3-SIZE SERIES: 206832 MATERIAL NUMBER: SEE TABLE CUSTOMER: GENERAL MARKET SHEET NUMBER: 3 OF 4					



FUNCTIONAL SYMBOLS	THIS DRAWING CONTAINS INFORMATION THAT IS PROPRIETARY TO MOLEX ELECTRONIC TECHNOLOGIES, LLC AND SHOULD NOT BE USED WITHOUT WRITTEN PERMISSION		CURRENT REV DESC:					
	$\nabla_A = 0$ $\nabla_F = 0$ $\nabla_V = 0$	DIMENSION UNITS mm						
DIVISIONAL SYMBOLS	4 PLACES \pm	EC NO: 760703	2023/03/30	V HDR ASSY BANDO MICRO-FIT + SOLUTION				
	3 PLACES \pm	DRWN: VENKAS5	2023/08/24					
	2 PLACES ± 0.13	CHK'D: VENKAS5	2023/08/24	PRODUCT CUSTOMER DRAWING				
	1 PLACE ± 0.25	APPR: MRAMAKRISHNA	2023/08/24					
	0 PLACES \pm	INITIAL REVISION:						
DRAFT WHERE APPLICABLE MUST REMAIN WITHIN DIMENSIONS		DRWN: SMAHAJANSHET	2018/05/08	DOCUMENT NUMBER	DOC TYPE	DOC PART	REVISION	
THIRD ANGLE PROJECTION		APPR: NCSR	2019/04/02	2068320000-SD	PSD	000	C	
		DRAWING	SERIES	MATERIAL NUMBER	CUSTOMER	SHEET NUMBER		
		A3-SIZE	206832		GENERAL MARKET	4 OF 4		