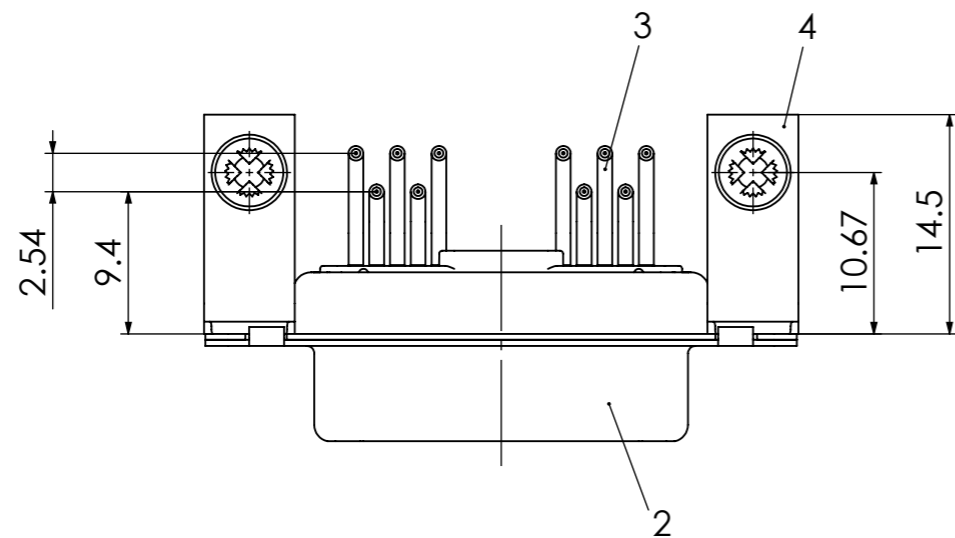
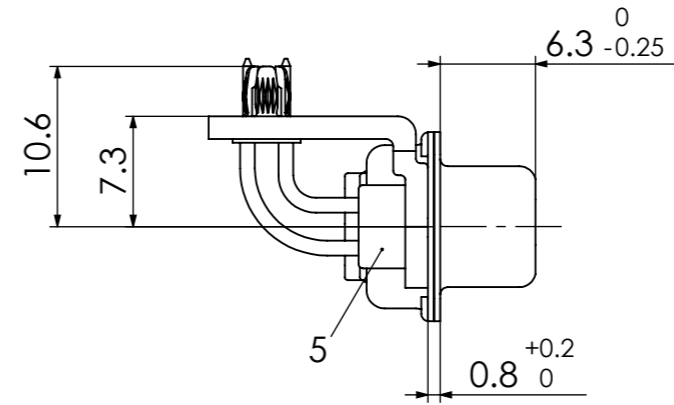
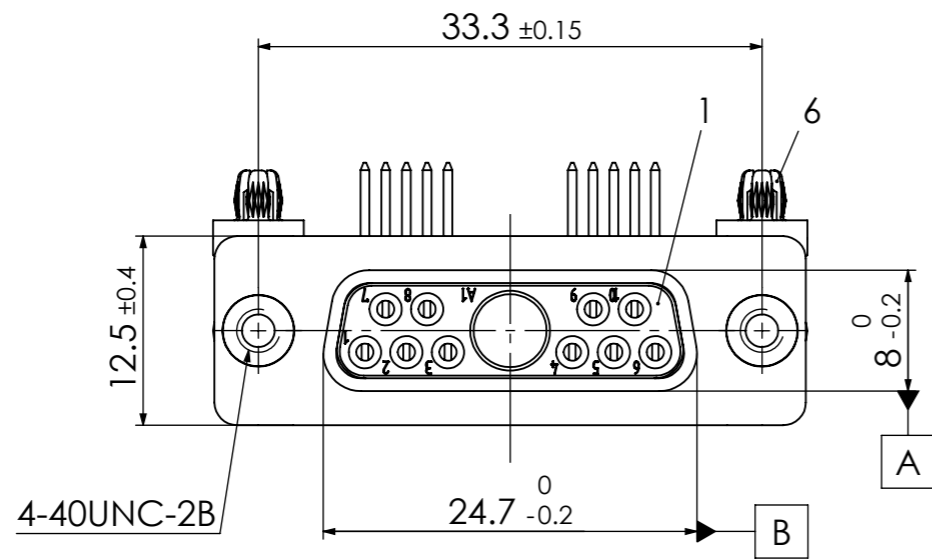
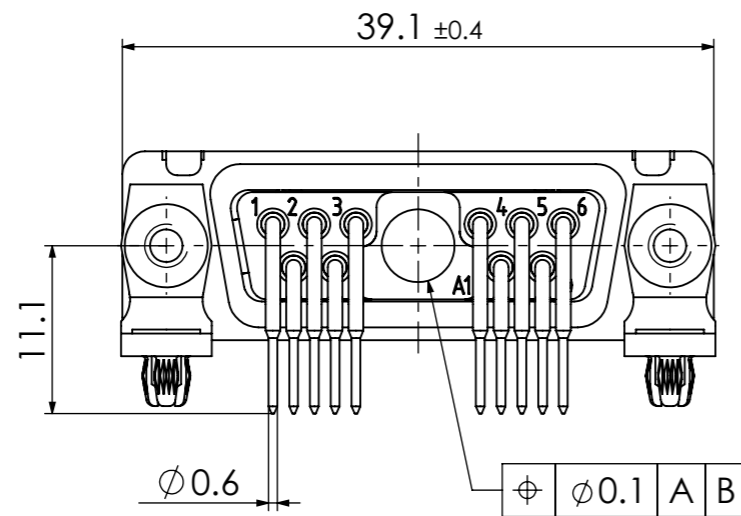
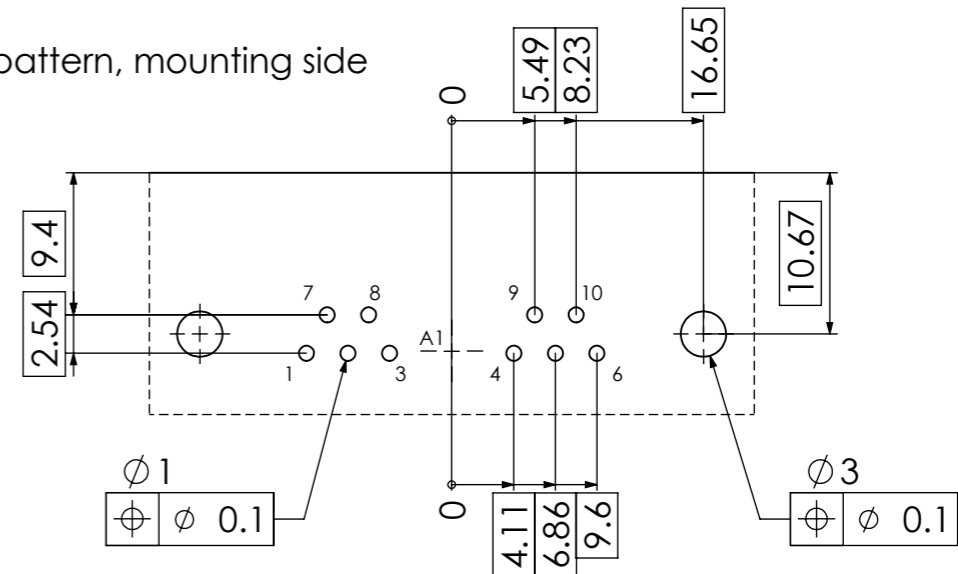


RoHS compliant
by exemption



PCB hole pattern, mounting side



No.	St.	Part	Type Description/Material	Surface plating/Colour/Class
6	2	Snap-in rivet	PCB 1.6mm / Brass	tin plated
5	2	Clinch nut	MW 4-40 / Steel	tin plated
4	2	Bracket	F1080-13B / Steel	tin plated
3	10	Signal contact	S5 / Brass	0.8µm Au
2	1	Shell	Steel	tin plated
1	1	Insulator	PBT (-55°C to +130°C) acc. UL94V-0	green

FUNCTIONAL SYMBOLS					THIS DRAWING CONTAINS INFORMATION THAT IS PROPRIETARY TO MOLEX ELECTRONIC TECHNOLOGIES, LLC AND SHOULD NOT BE USED WITHOUT WRITTEN PERMISSION				
▽ = 0	DIMENSION UNITS	SCALE	MEASUREMENTS WITHOUT TOLERANCE ACC. TO ISO 2768-m		molex				
▽ = 0	mm	2:1							
▽ = 0			CURRENT REVISION		FCT D-Sub Mixed-Layout Connector				
		DRWN: DRAWN BY msteinbrueck 27-07-2023							
		APPR: APPR BY mteubel 08-08-2023		PRODUCT CUSTOMER DRAWING					
		INITIAL REVISION		MATERIAL NUMBER					
		DRWN: DRAWN BY ADenzinger 27-09-2005		1731070319					
		APPR: APPR BY ssshref 28-09-2005		REVISION					
				2					
REPLACEMENT FOR:		FRIST ANGLE PROJECTION		DRAWING		DOCUMENT NUMBER		CUSTOMER	
1731070319_Rev. A		A3-SIZE		A3-SIZE		FM11W1S5-1002		GENERAL MARKET	
								SHEET NUMBER	
								1 OF 1	

COMMENT: ALL RIGHTS ARE RESERVED BY US FOR THIS DRAWING. WITHOUT OUR PRIOR CONSENT, IT MAY NEITHER BE DUPLICATED NOR MADE AVAILABLE TO A THIRD PARTY. AND IT ALSO MAY NOT BE IMPROPERLY USED BY THE RECEIVER, OR A THIRD PARTY.