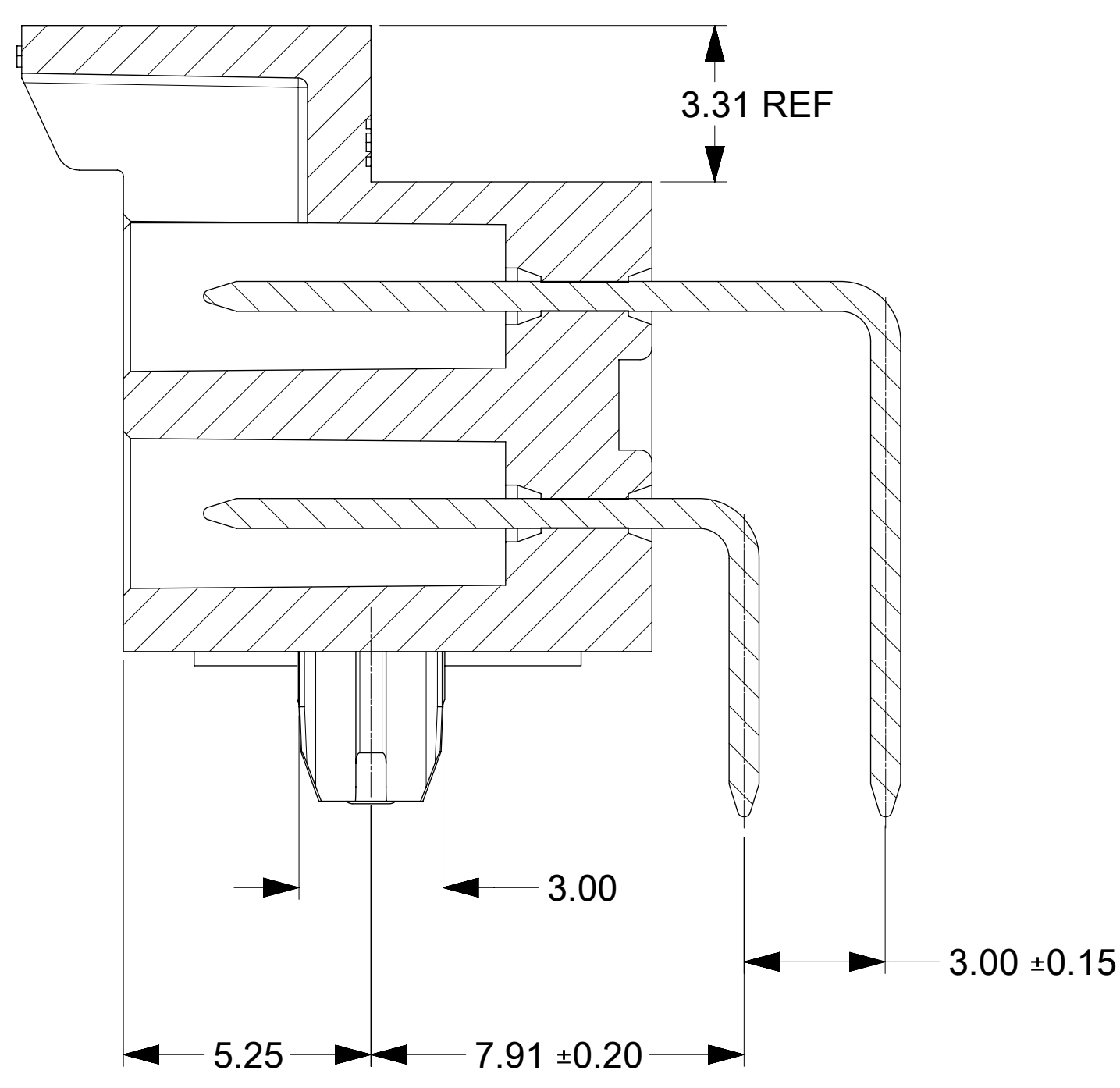
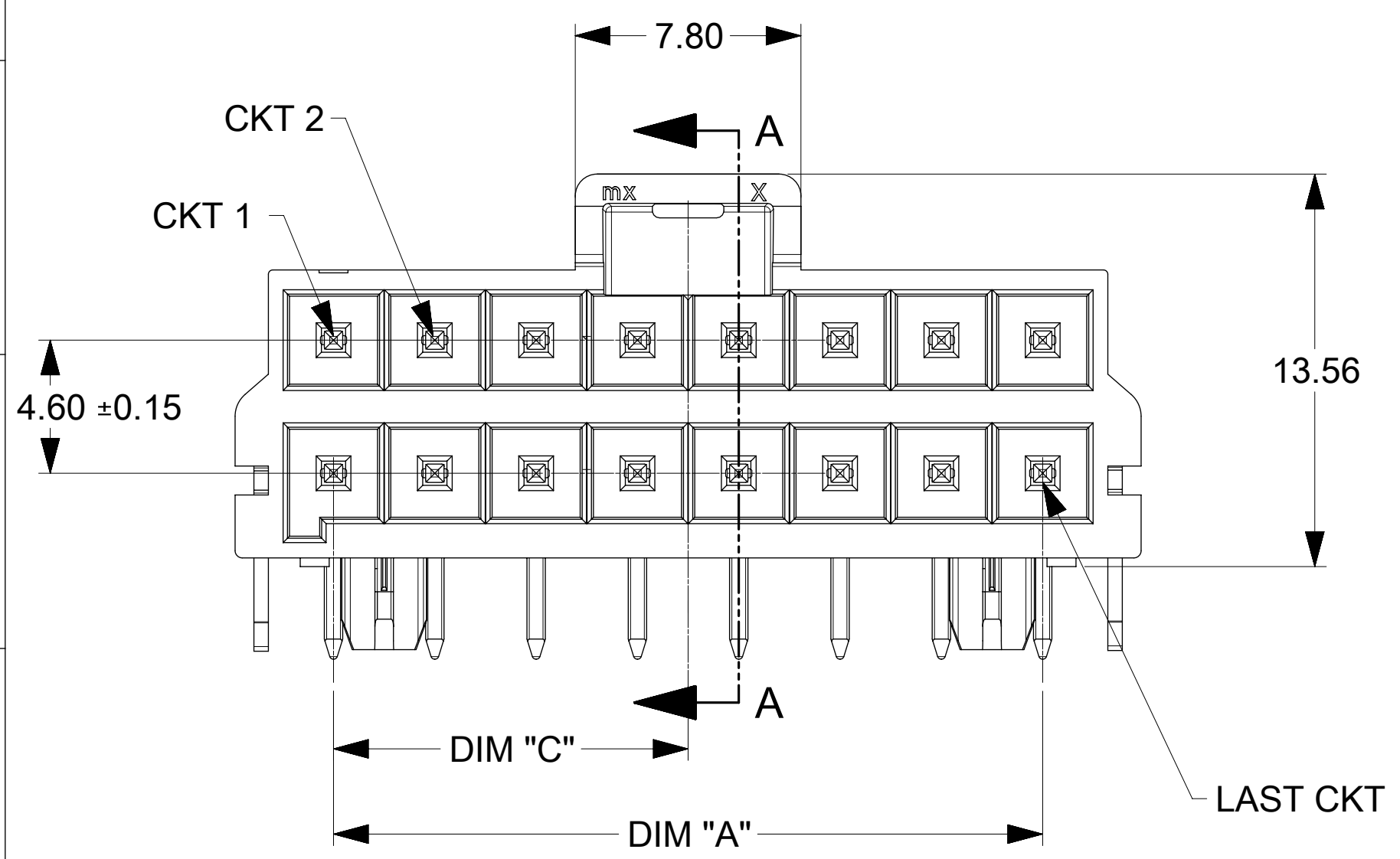
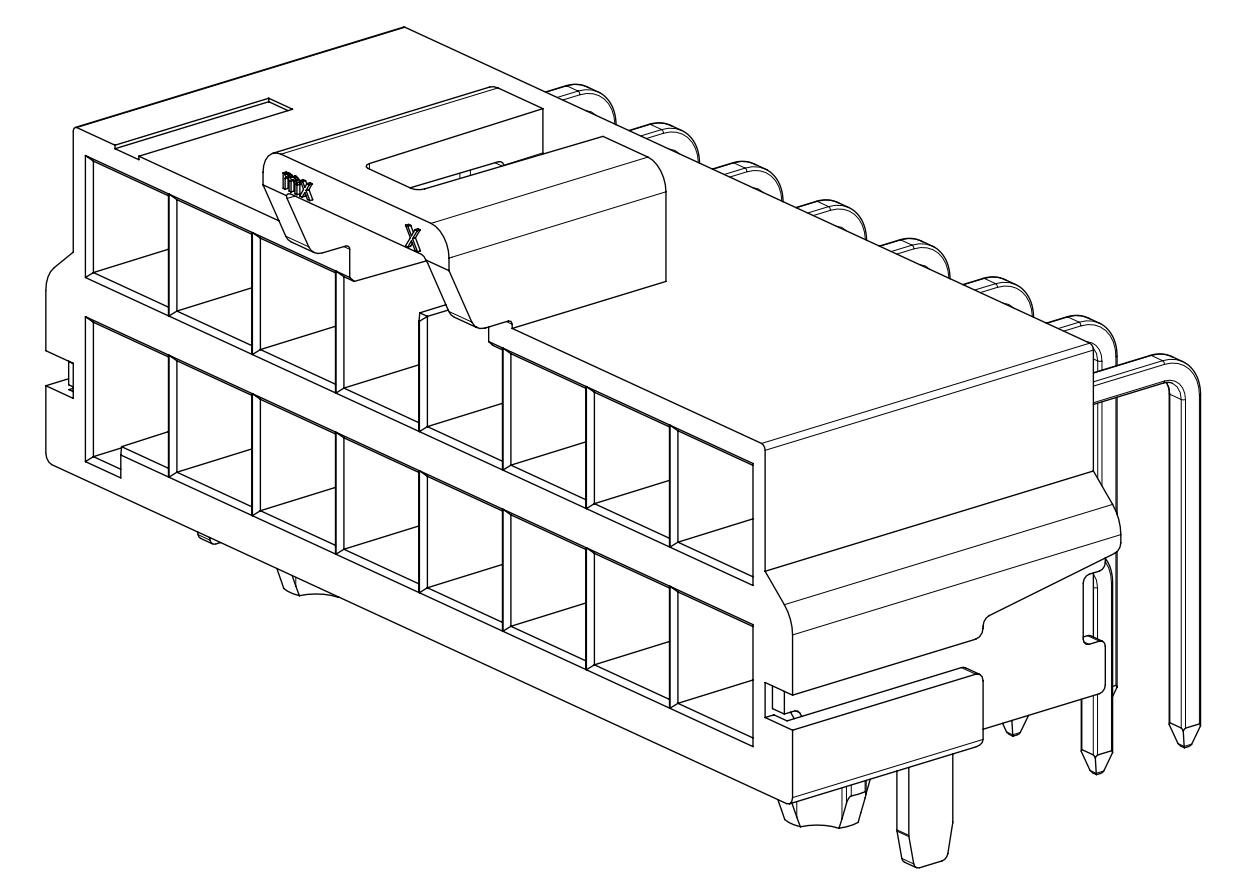
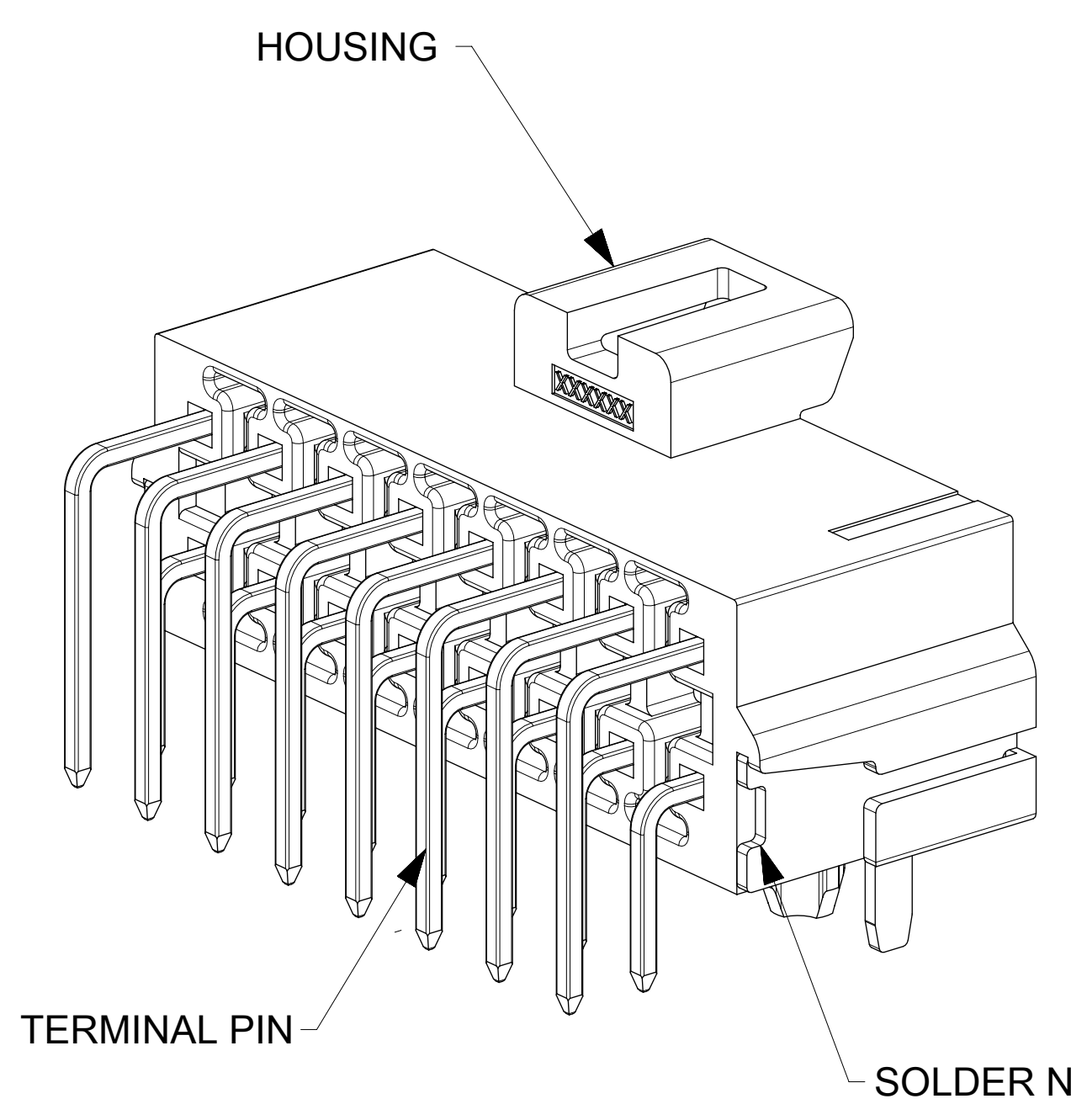
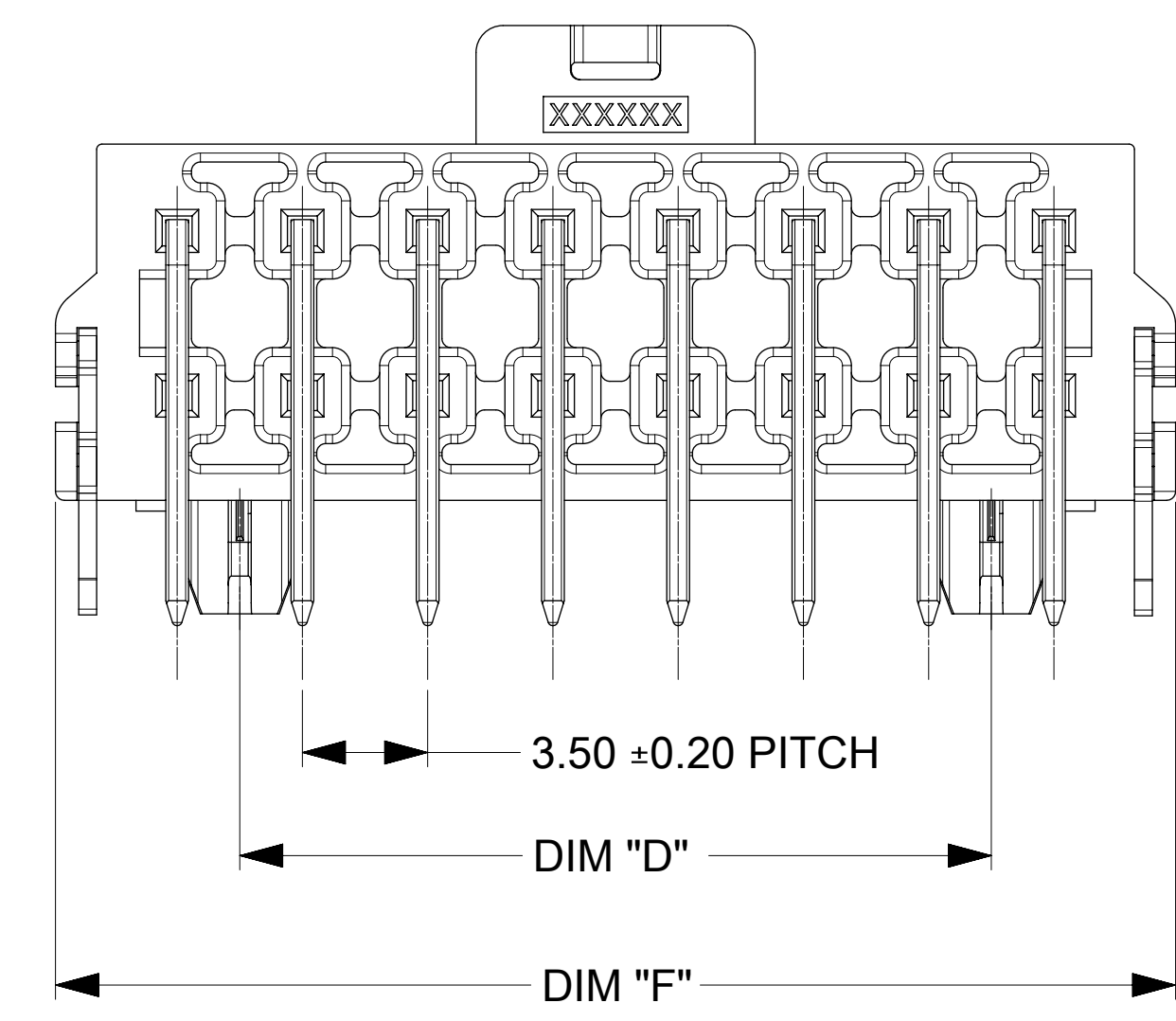


DATE CODE LOCATION
SEE NOTE 6

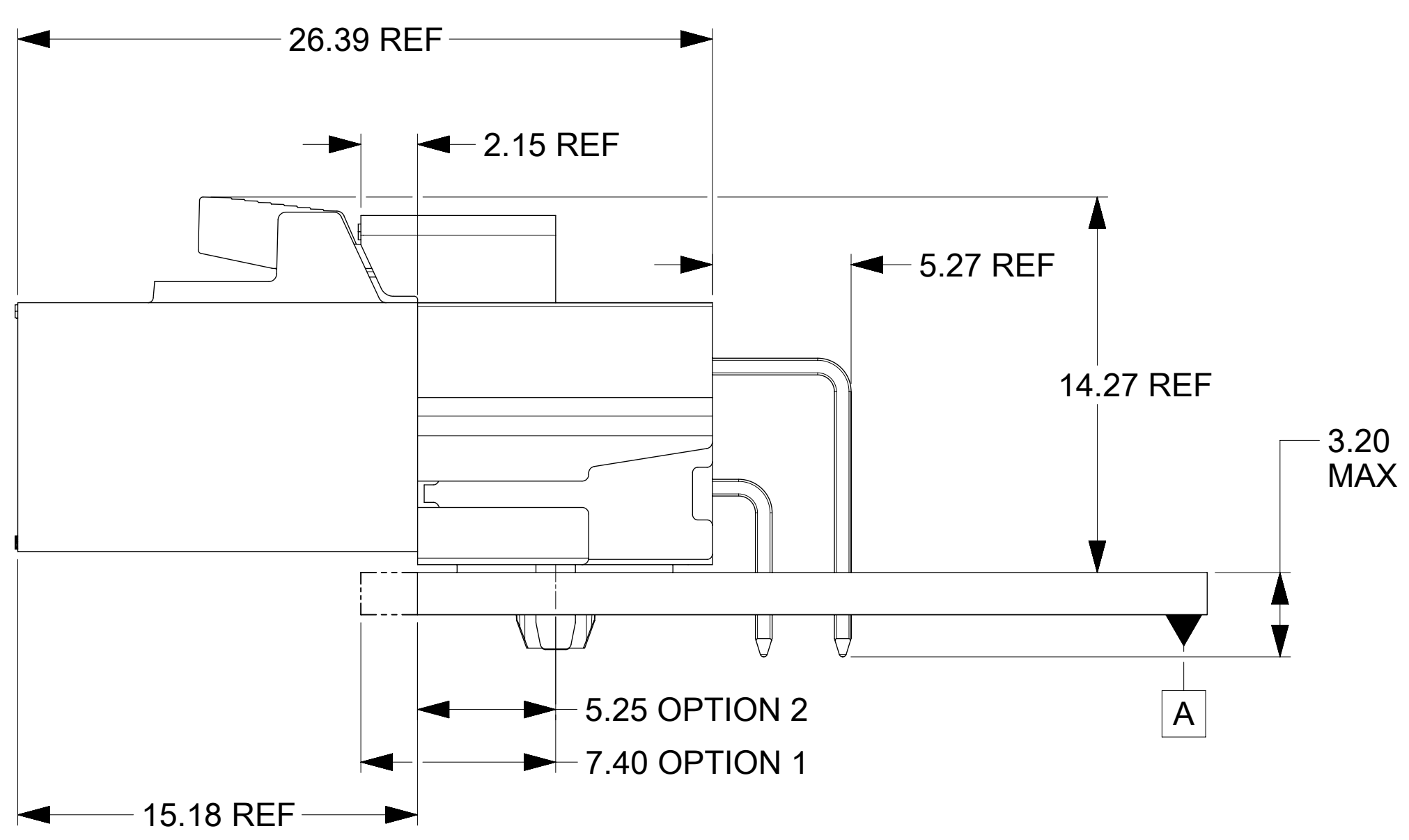


SECTION A-A
SCALE 8:1



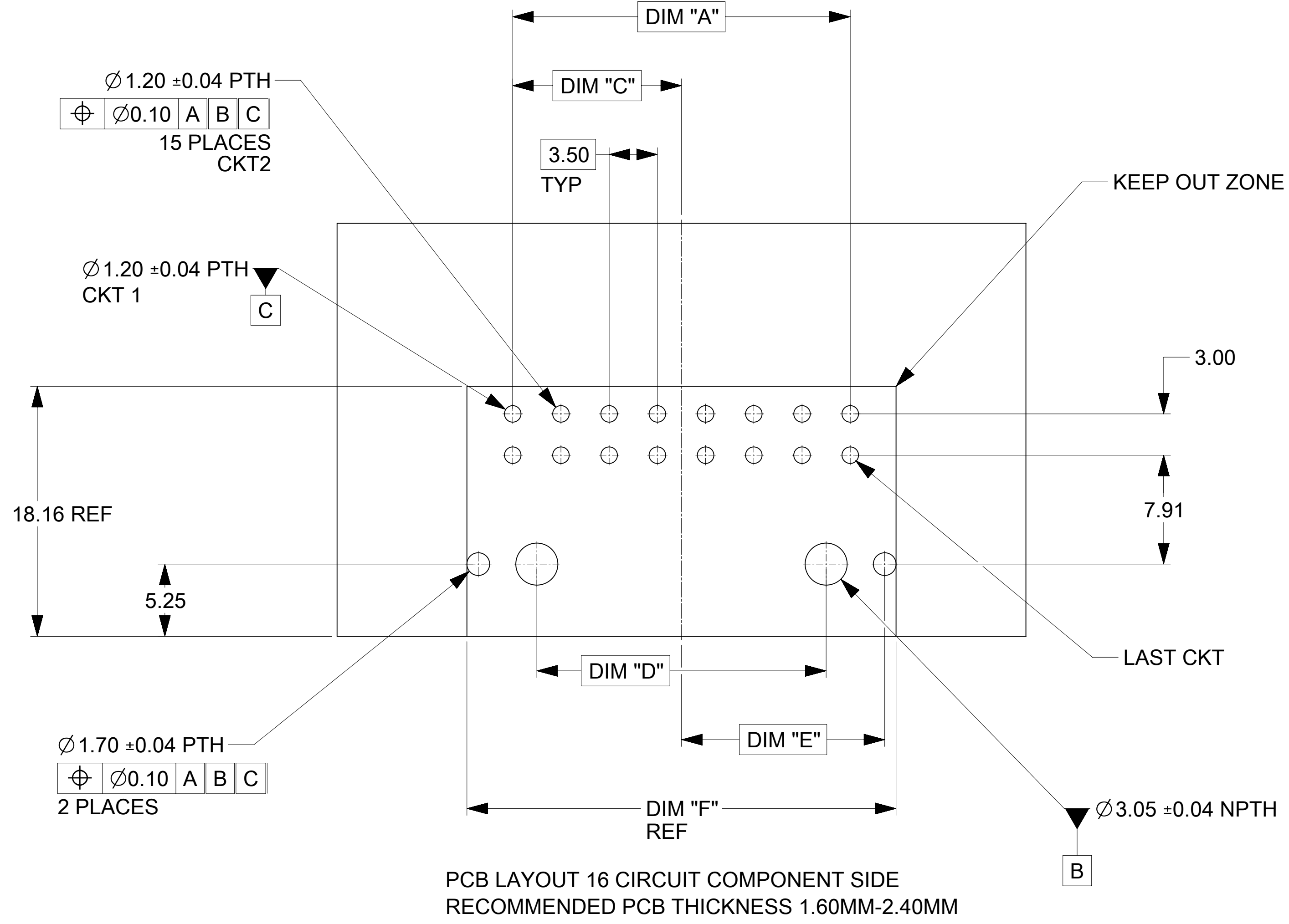
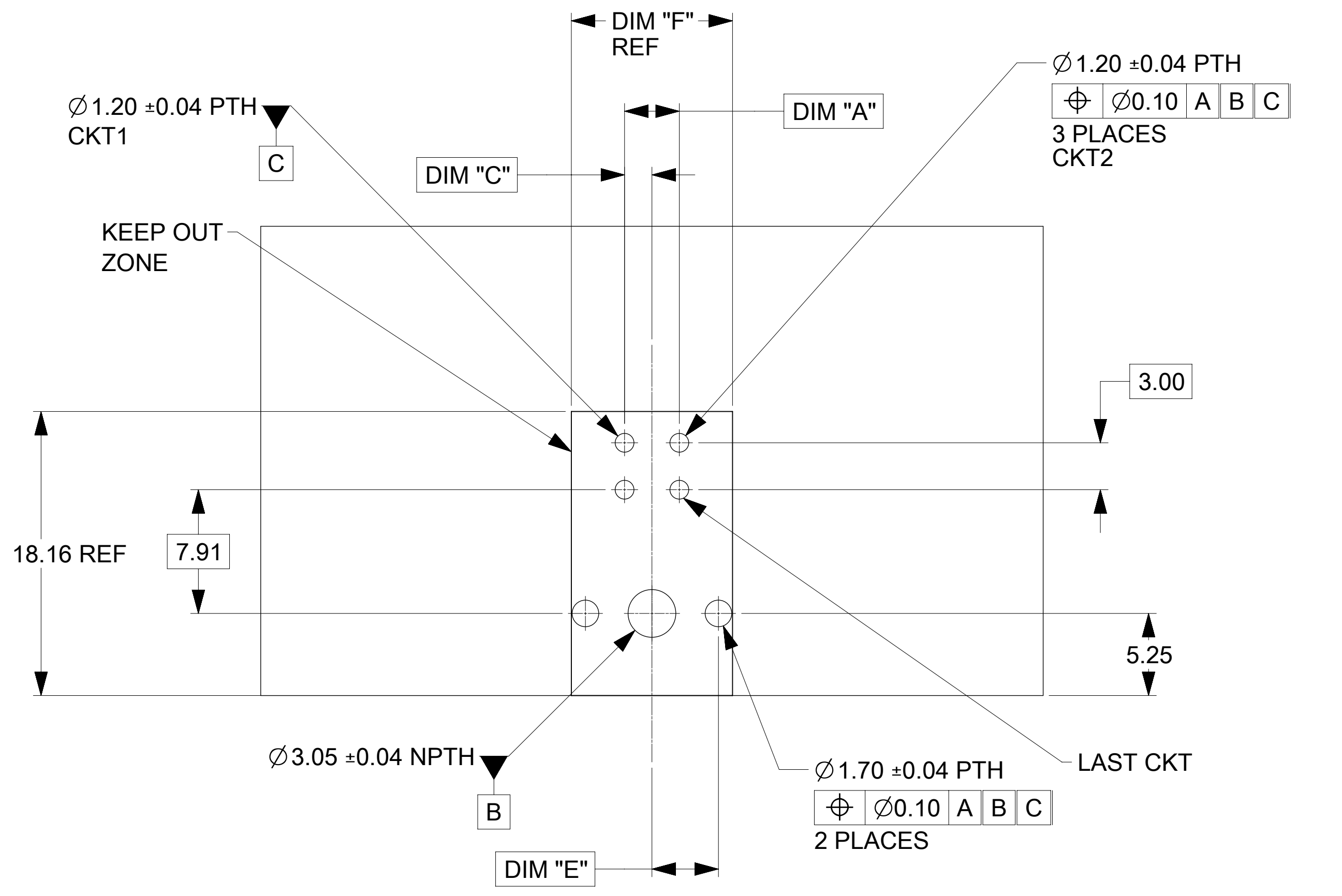
NOTES:

- MATERIAL :
HOUSING:
OPTION 1: LCP BLACK, UL94V-0
OPTION 2: LCP NATURAL, UL94V-0
TERMINAL: COPPER ALLOY
- PLATING FINISH:
OPTION 1 - 1.5µm(60µin)-2.5µm(100µin) REFLOW MATTE TIN OVER
1.25µm(50µin)-2.5µm(100µin) NICKEL OVERALL
OPTION 2 - 0.35µm(15µin) GOLD CONTACT AREA,
1.5µm(60µin)-2.5µm(100µin) MATTE TIN OVER
1.25µm(50µin)-2.5µm(100µin) NICKEL OVERALL
OPTION 3 - 0.70µm(30µin) GOLD CONTACT AREA,
1.5µm(60µin)-2.5µm(100µin) MATTE TIN OVER
1.25µm(50µin)-2.5µm(100µin) NICKEL OVERALL
- PARTS TO BE PACKAGED PER 172316-1114-PK
- PRODUCT SPECIFICATION PS-172323-0001
- PART MATES WITH MOLEX RECEPTACLE HOUSING
172258 AND 172262
- PART CONFORMS TO CLASS "C" REQUIREMENTS OF MOLEX COSMETIC
SPECIFICATION.
PS-45499-002 WITH 0.13 MM MAXIMUM FLASH ALLOWED IN CORE
HOLES AND FRONT SURFACE.
- LASER MARK CODE IN A FORMAT DDD
- PARTS ARE NOT DESIGNED FOR CURRENT SHARING.



OPTION 1: LATCH FLUSH WITH PCB EDGE
OPTION 2: HOUSING BODY FLUSH WITH PCB EDGE

SYMBOLS	THIS DRAWING CONTAINS INFORMATION THAT IS PROPRIETARY TO MOLEX ELECTRONIC TECHNOLOGIES, LLC AND SHOULD NOT BE USED WITHOUT WRITTEN PERMISSION		CURRENT REV DESC:		molex
	DIMENSION UNITS	SCALE			
▽ = 0	mm	5:1			ULTRA-FIT DR R/A HEAD SN ASSY
▽ = 0	GENERAL TOLERANCES (UNLESS SPECIFIED)				PRODUCT CUSTOMER DRAWING
▽ = 0	ANGULAR TOL	± °			DOCUMENT NUMBER
▽ = 0	4 PLACES	±	EC NO: 762168	2023/09/06	1723162000
▽ = 0	3 PLACES	±	DRWN: LEOW	2024/02/20	PSD 000 E
▽ = 0	2 PLACES	± 0.13	CHK'D: XQZHANG	2016/06/21	DOC TYPE
▽ = 0	1 PLACE	± 0.25	APPR: XQZHANG	2016/06/21	DOC PART
▽ = 0	0 PLACES	±	INITIAL REVISION:		REVISION
☒ = 0	DRAFT WHERE APPLICABLE MUST REMAIN WITHIN DIMENSIONS		DRWN: PPEREZ03	2016/02/22	
▽ = 0	THIRD ANGLE PROJECTION		APPR: RHODGE	2016/06/21	
	DRAWING	SERIES			MATERIAL NUMBER
	D-SIZE	172316			CUSTOMER
					SHEET NUMBER
					1 OF 3



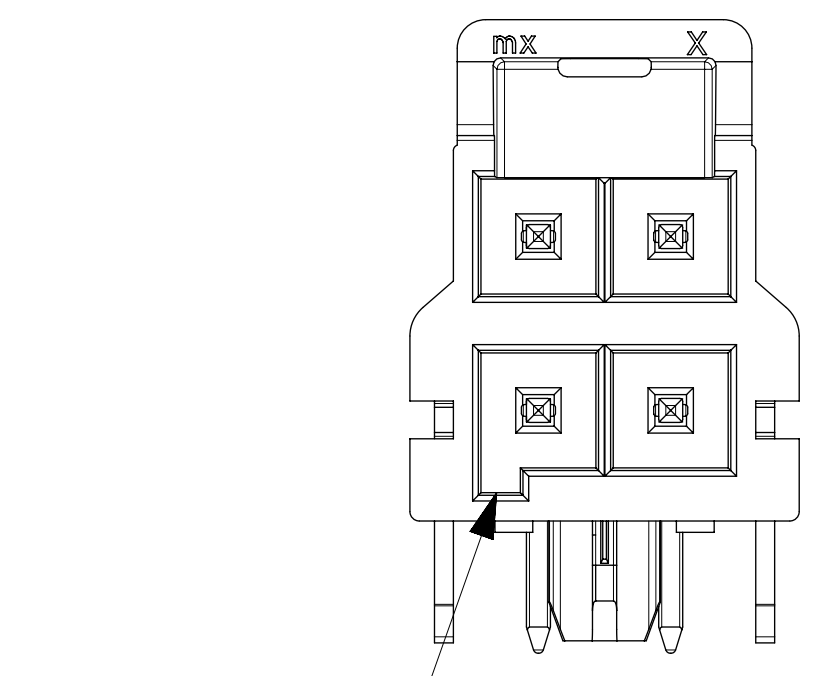
TIN PLATING								
PART NO.	COLOR	CIRCUIT SIZE	KEY OPTION	DIM A	DIM F	DIM C	DIM D	DIM E
172316-3104	BLACK	4	KEY A	3.50	10.30	1.75	0.00	4.25
172316-3106	BLACK	6	KEY A	7.00	13.80	3.50	0.00	6.00
172316-3108	BLACK	8	KEY A	10.50	17.30	5.25	7.00	7.75
172316-3110	BLACK	10	KEY A	14.00	20.80	7.00	10.50	9.50
172316-3112	BLACK	12	KEY A	17.50	24.30	8.75	14.00	11.25
172316-3114	BLACK	14	KEY A	21.00	27.80	10.50	17.50	13.00
172316-3116	BLACK	16	KEY A	24.50	31.30	12.25	21.00	14.75
172316-4104	NATURAL	4	KEY B	3.50	10.30	1.75	0.00	4.25
172316-4106	NATURAL	6	KEY B	7.00	13.80	3.50	0.00	6.00
172316-4108	NATURAL	8	KEY B	10.50	17.30	5.25	7.00	7.75
172316-4110	NATURAL	10	KEY B	14.00	20.80	7.00	10.50	9.50
172316-4112	NATURAL	12	KEY B	17.50	24.30	8.75	14.00	11.25
172316-4114	NATURAL	14	KEY B	21.00	27.80	10.50	17.50	13.00
172316-4116	NATURAL	16	KEY B	24.50	31.30	12.25	21.00	14.75

15 MICROINCH GOLD PLATING								
PART NO.	COLOR	CIRCUIT SIZE	KEY OPTION	DIM A	DIM F	DIM C	DIM D	DIM E
172316-3204	BLACK	4	KEY A	3.50	10.30	1.75	0.00	4.25
172316-3206	BLACK	6	KEY A	7.00	13.80	3.50	0.00	6.00
172316-3208	BLACK	8	KEY A	10.50	17.30	5.25	7.00	7.75
172316-3210	BLACK	10	KEY A	14.00	20.80	7.00	10.50	9.50
172316-3212	BLACK	12	KEY A	17.50	24.30	8.75	14.00	11.25
172316-3214	BLACK	14	KEY A	21.00	27.80	10.50	17.50	13.00
172316-3216	BLACK	16	KEY A	24.50	31.30	12.25	21.00	14.75
172316-4204	NATURAL	4	KEY B	3.50	10.30	1.75	0.00	4.25
172316-4206	NATURAL	6	KEY B	7.00	13.80	3.50	0.00	6.00
172316-4208	NATURAL	8	KEY B	10.50	17.30	5.25	7.00	7.75
172316-4210	NATURAL	10	KEY B	14.00	20.80	7.00	10.50	9.50
172316-4212	NATURAL	12	KEY B	17.50	24.30	8.75	14.00	11.25
172316-4214	NATURAL	14	KEY B	21.00	27.80	10.50	17.50	13.00
172316-4216	NATURAL	16	KEY B	24.50	31.30	12.25	21.00	14.75

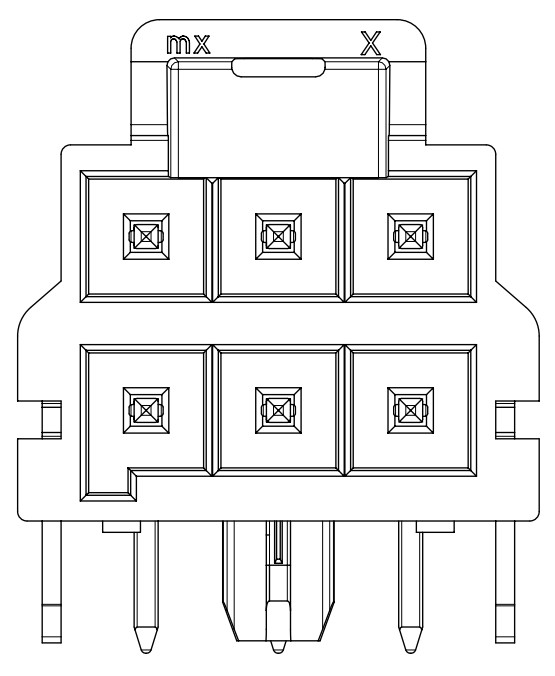
30 MICROINCH GOLD PLATING								
PART NO.	COLOR	CIRCUIT SIZE	KEY OPTION	DIM A	DIM F	DIM C	DIM D	DIM E
172316-3304	BLACK	4	KEY A	3.50	10.30	1.75	0.00	4.25
172316-3306	BLACK	6	KEY A	7.00	13.80	3.50	0.00	6.00
172316-3308	BLACK	8	KEY A	10.50	17.30	5.25	7.00	7.75
172316-3310	BLACK	10	KEY A	14.00	20.80	7.00	10.50	9.50
172316-3312	BLACK	12	KEY A	17.50	24.30	8.75	14.00	11.25
172316-3314	BLACK	14	KEY A	21.00	27.80	10.50	17.50	13.00
172316-3316	BLACK	16	KEY A	24.50	31.30	12.25	21.00	14.75
172316-4304	NATURAL	4	KEY B	3.50	10.30	1.75	0.00	4.25
172316-4306	NATURAL	6	KEY B	7.00	13.80	3.50	0.00	6.00
172316-4308	NATURAL	8	KEY B	10.50	17.30	5.25	7.00	7.75
172316-4310	NATURAL	10	KEY B	14.00	20.80	7.00	10.50	9.50
172316-4312	NATURAL	12	KEY B	17.50	24.30	8.75	14.00	11.25
172316-4314	NATURAL	14	KEY B	21.00	27.80	10.50	17.50	13.00
172316-4316	NATURAL	16	KEY B	24.50	31.30	12.25	21.00	14.75

THIS DRAWING CONTAINS INFORMATION THAT IS PROPRIETARY TO MOLEX ELECTRONIC TECHNOLOGIES, LLC AND SHOULD NOT BE USED WITHOUT WRITTEN PERMISSION

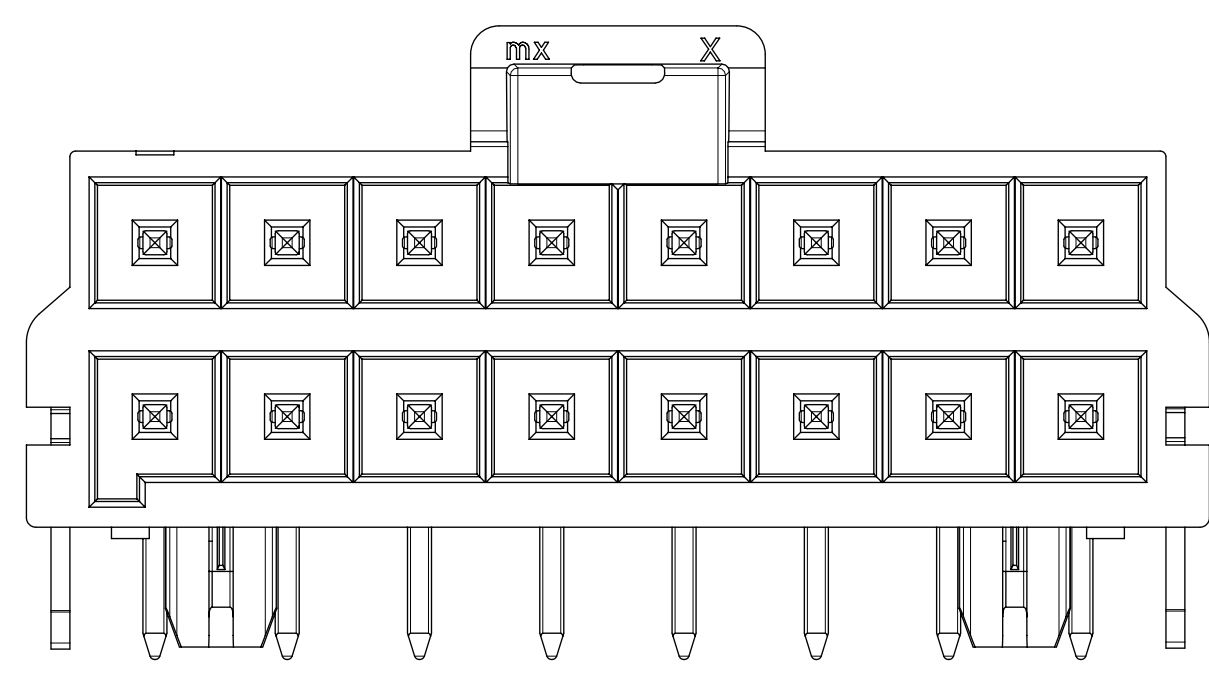
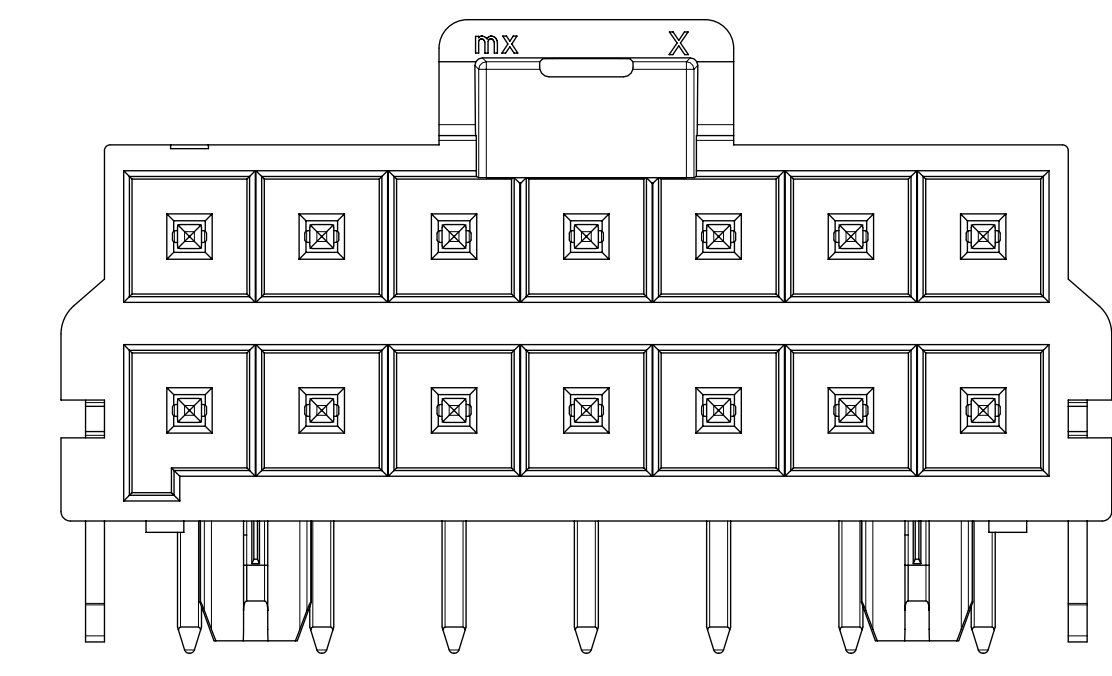
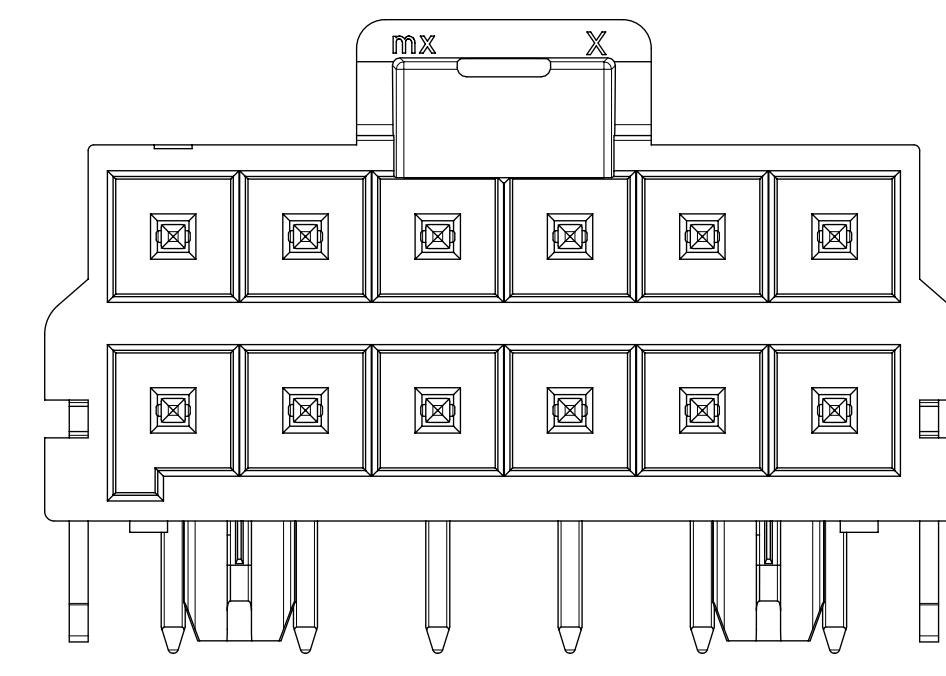
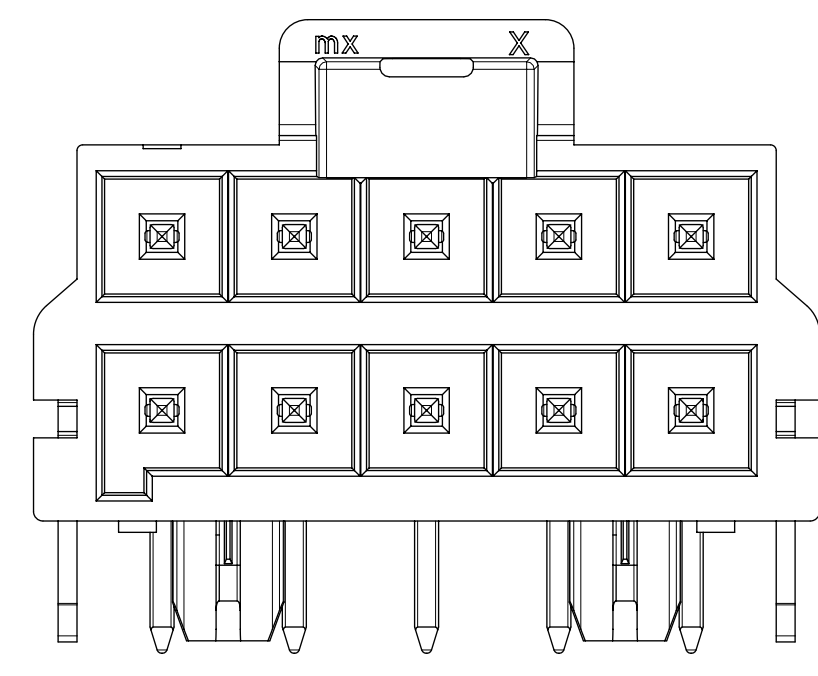
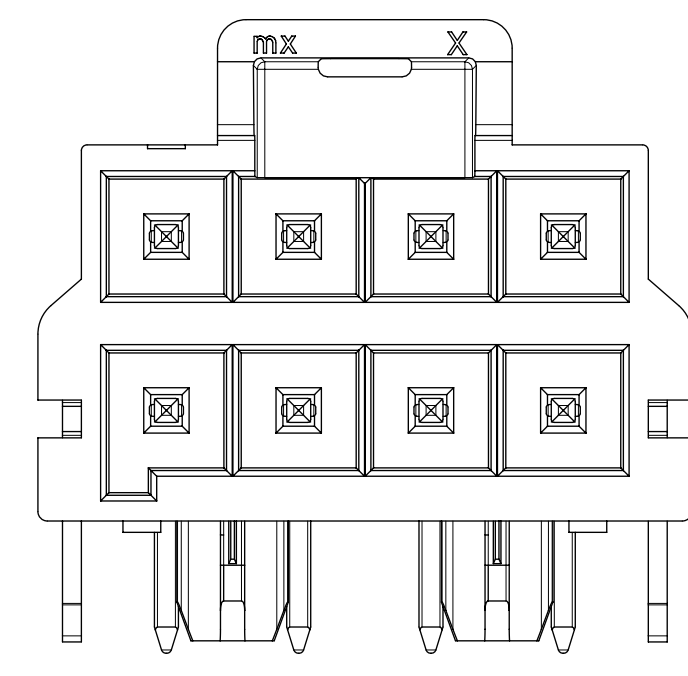
SYMBOLS DIMENSION UNITS: mm SCALE: 5:1 GENERAL TOLERANCES (UNLESS SPECIFIED) ANGULAR TOL: ± ° 4 PLACES: ± 3 PLACES: ± 2 PLACES: ± 0.13 1 PLACE: ± 0.25 0 PLACES: ± DRAFT WHERE APPLICABLE MUST REMAIN WITHIN DIMENSIONS	CURRENT REV DESC: EC NO: 762168 DRWN: LEOW 2023/09/06 CHK'D: XQZHANG 2024/02/20 APPR: XQZHANG 2024/02/20 INITIAL REVISION: DRWN: PPerez03 2016/02/22 APPR: RHODGE 2016/06/21	 ULTRA-FIT DR R/A HEAD SN ASSY PRODUCT CUSTOMER DRAWING DOCUMENT NUMBER: 1723162000 DOC TYPE: PSD DOC PART: 000 REVISION: E MATERIAL NUMBER: 172316 CUSTOMER: D-SIZE SHEET NUMBER: 2 OF 3
	THIRD ANGLE PROJECTION 	
	DRAWING SERIES: D-SIZE 172316	
	DRAFT WHERE APPLICABLE MUST REMAIN WITHIN DIMENSIONS	
	THIRD ANGLE PROJECTION 	



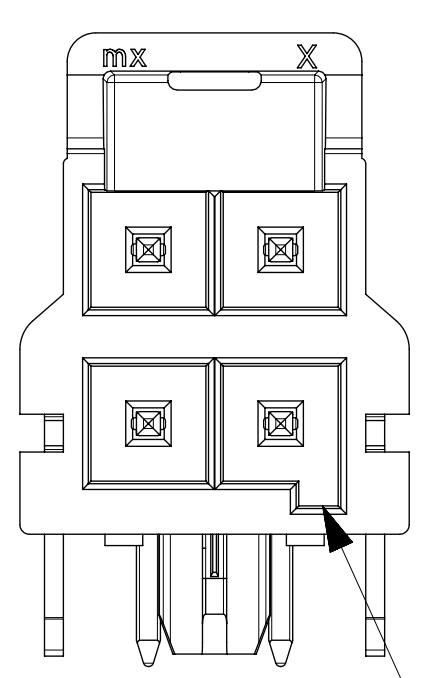
KEY A (BLACK) 4CKT



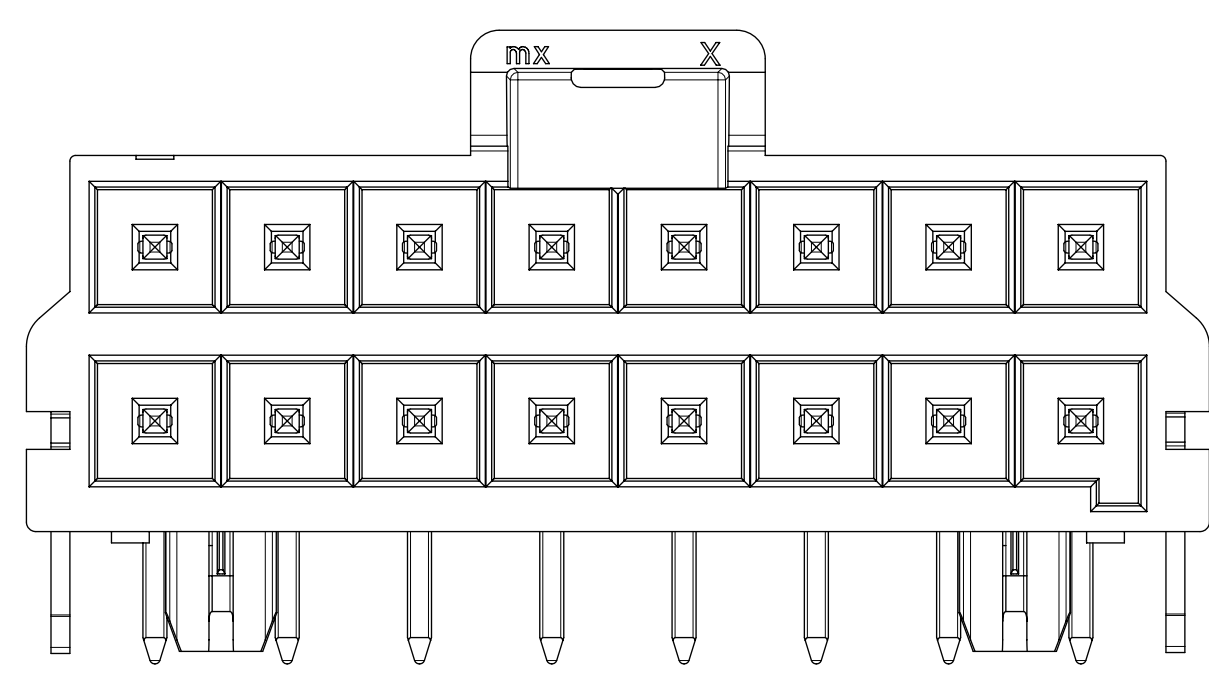
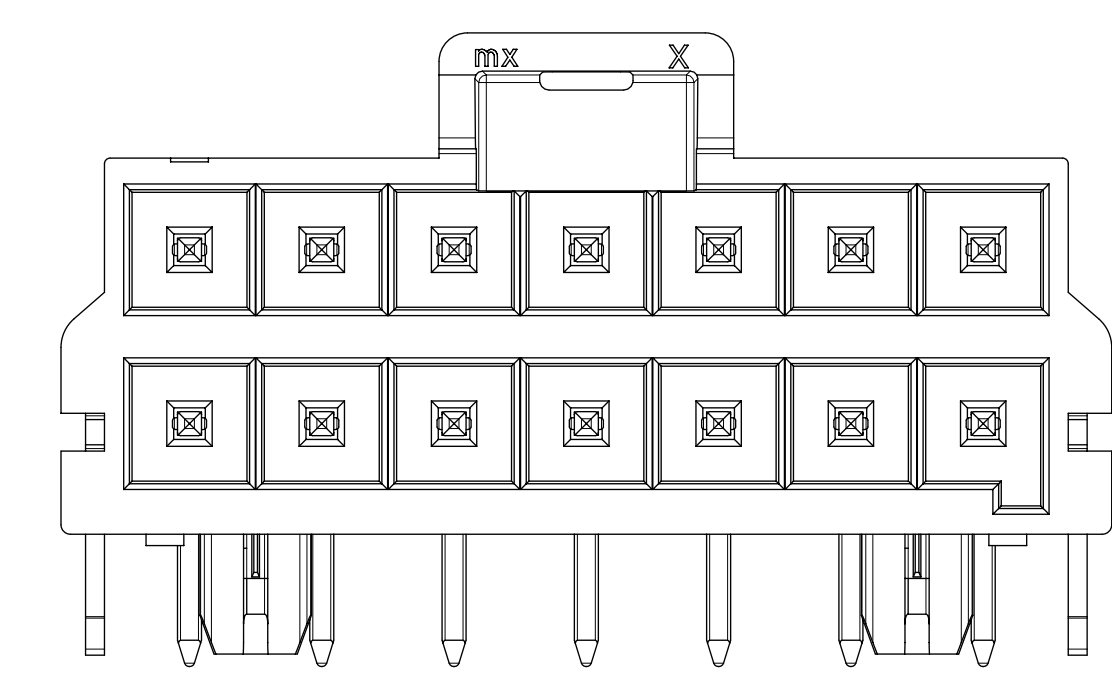
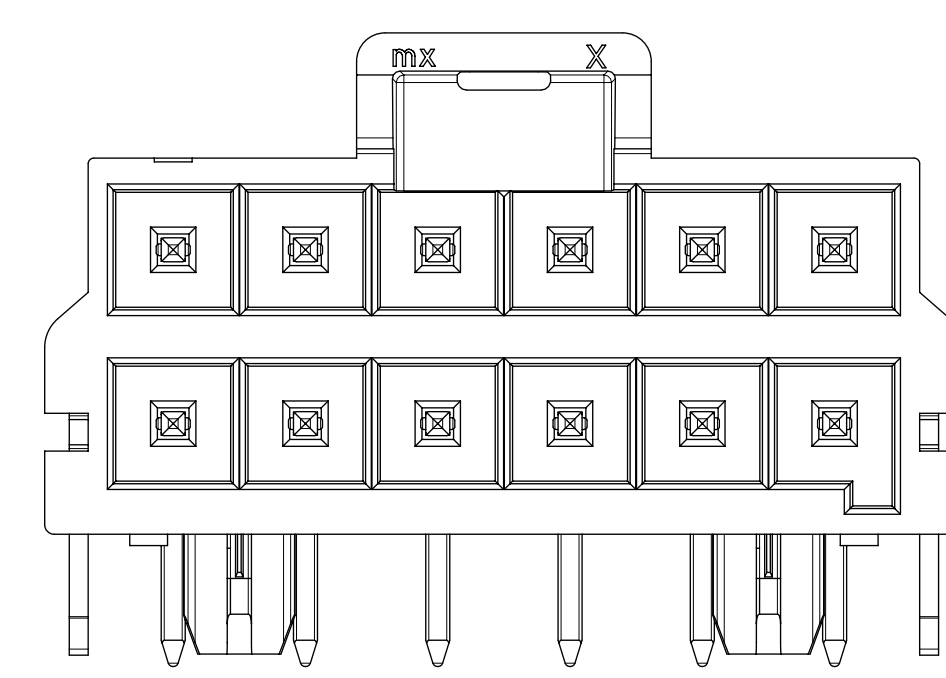
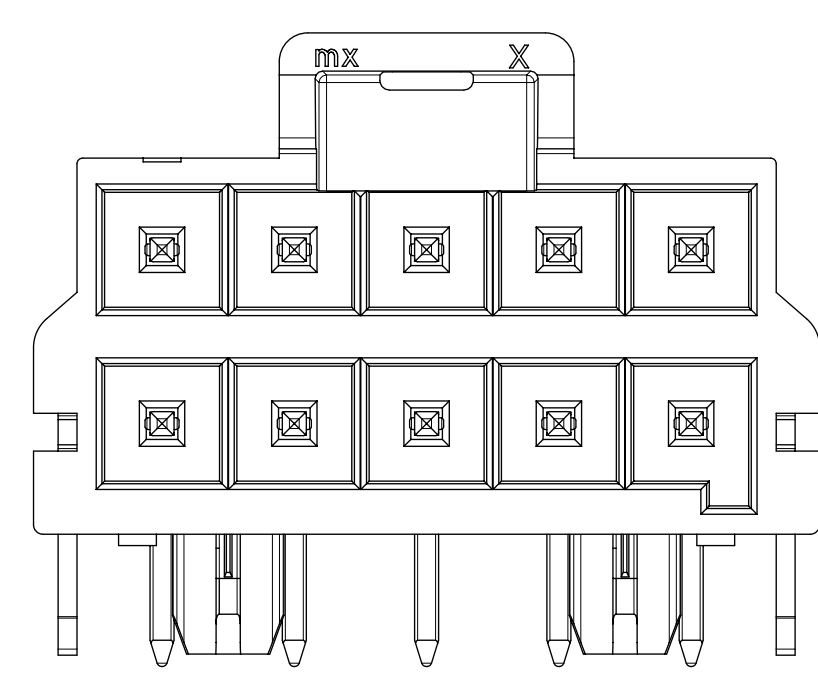
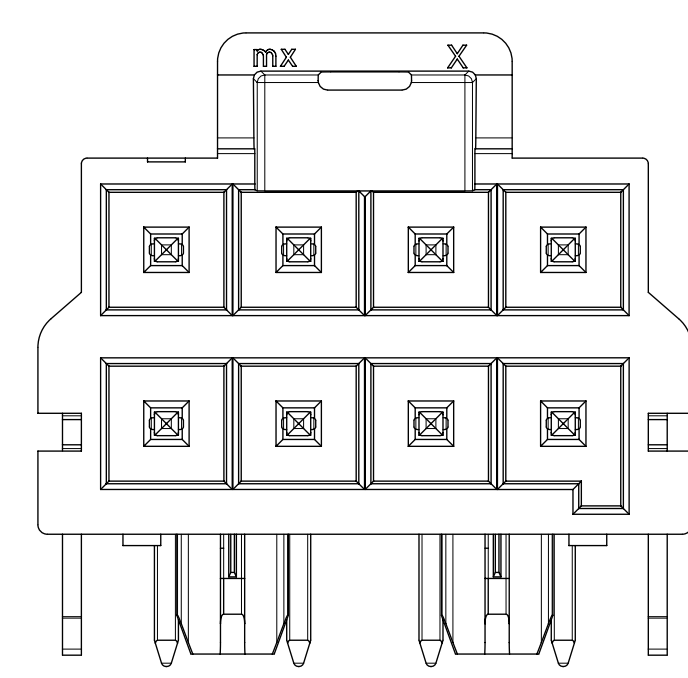
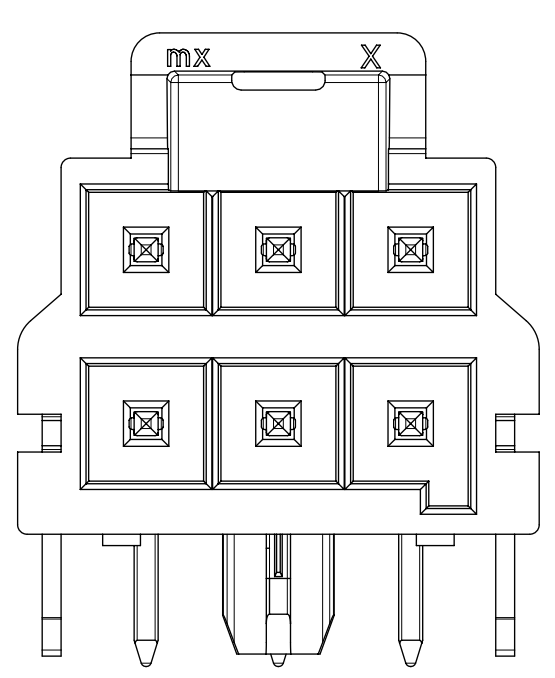
6CKT



BLACK



KEY B (BLACK)



NATURAL

COLOR-POLARIZATION

SYMBOLS	THIS DRAWING CONTAINS INFORMATION THAT IS PROPRIETARY TO MOLEX ELECTRONIC TECHNOLOGIES, LLC AND SHOULD NOT BE USED WITHOUT WRITTEN PERMISSION		
	DIMENSION UNITS	SCALE	CURRENT REV DESC:
▽ = 0	mm	5:1	EC NO: 762168 DRWN: LEOW 2023/09/06 CHK'D: XQZHANG 2024/02/20 APPR: XQZHANG 2024/02/20
▽ = 0	GENERAL TOLERANCES (UNLESS SPECIFIED)		
▽ = 0	ANGULAR TOL	± °	INITIAL REVISION: DRWN: PPerez03 2016/02/22 APPR: RHODGE 2016/06/21
▽ = 0	4 PLACES	±	
▽ = 0	3 PLACES	±	DOCUMENT NUMBER: 1723162000 DOC TYPE: PSD DOC PART: 000 REVISION: E
▽ = 0	2 PLACES	± 0.13	
▽ = 0	1 PLACE	± 0.25	MATERIAL NUMBER: 172316 CUSTOMER: D-SIZE SERIES: 172316
▽ = 0	0 PLACES	±	
■ = 0	DRAFT WHERE APPLICABLE MUST REMAIN WITHIN DIMENSIONS		SHEET NUMBER: 3 OF 3