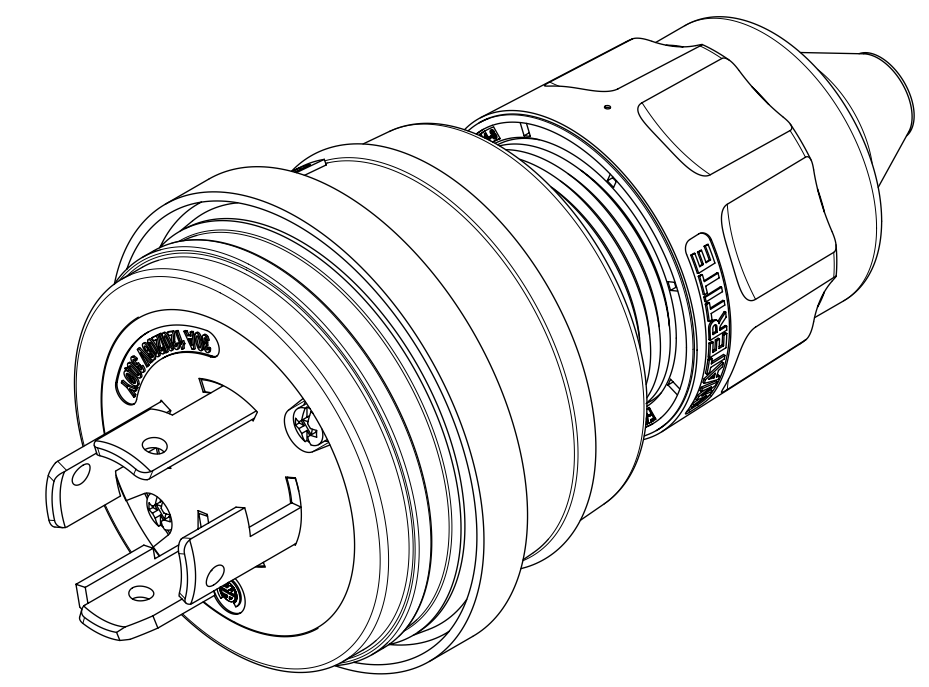
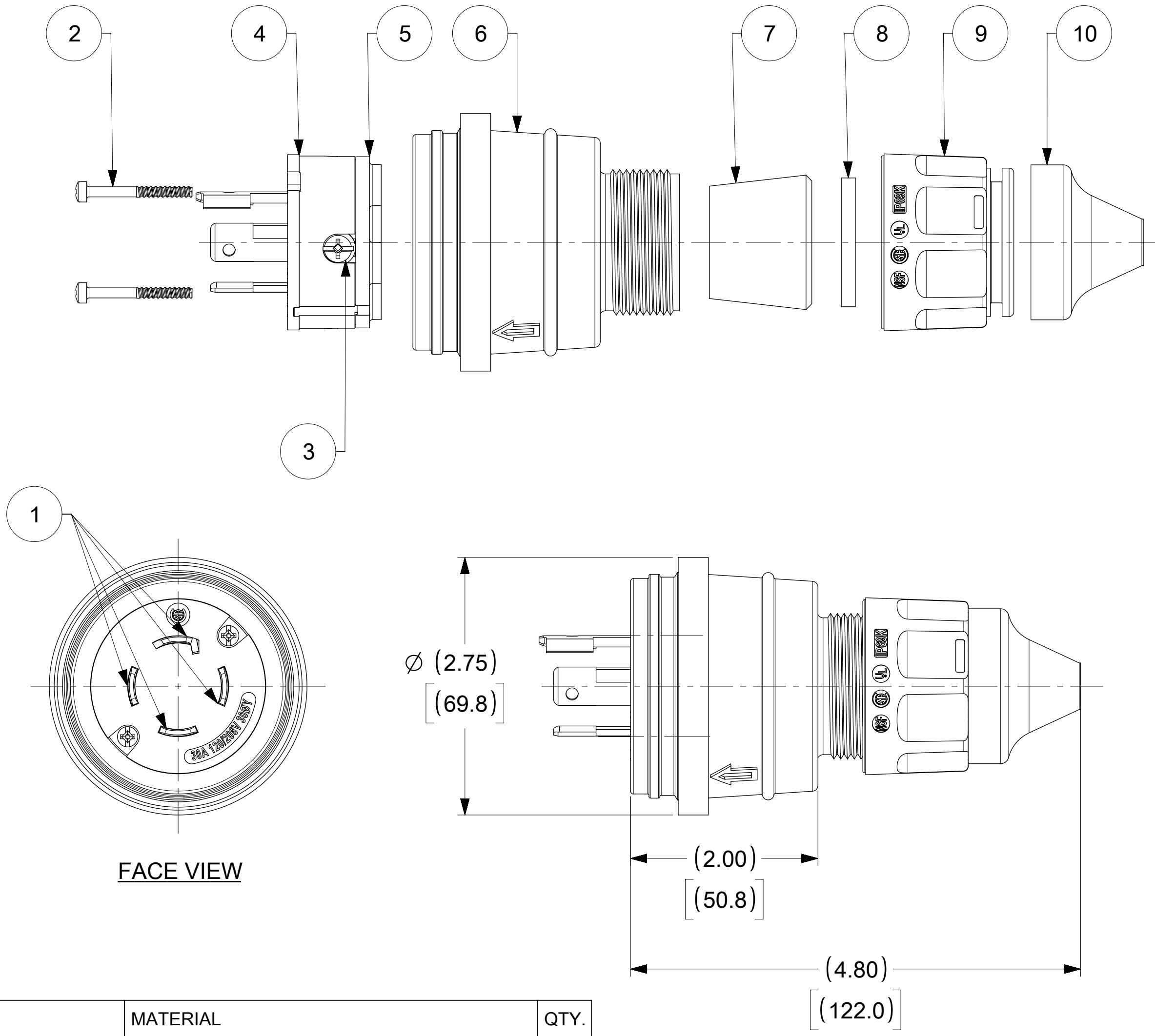


ORDER NO.	WOODHEAD NO.	COLOR
130147-0071	28W09	YELLOW



ITEM NO.	DESCRIPTIONS	MATERIAL	QTY.
1	BLADE	BRASS, NICKEL PLATED	4
2	RETAINING SCREWS	STAINLESS STEEL	2
3	CLAMP AND TERMINAL SCREW ASSY	BRASS, ZINC PLATED	4
4	INSERT	NYLON	1
5	TERMINAL COVER	POLYCARBONATE	1
6	HOUSING	SILICONE WITH NYLON THREAD	1
7	GROMMET	RUBBER	4
8	FRICTION RING	NYLON	1
9	COMPRESSION NUT	NYLON	1
10	CABLE GLOVE	SILICONE	1

NOTE:  
1. "ACCEPT CABLE RANGE FROM .562" TO 1.00"

SYMBOLS		THIS DRAWING CONTAINS INFORMATION THAT IS PROPRIETARY TO MOLEX ELECTRONIC TECHNOLOGIES, LLC AND SHOULD NOT BE USED WITHOUT WRITTEN PERMISSION	
$\nabla$ = 0	DIMENSION UNITS	SCALE	CURRENT REV DESC:
$\nabla$ = 0	INCH[MM]	NTS	
$\nabla$ = 0	GENERAL TOLERANCES (UNLESS SPECIFIED)		
$\nabla$ = 0		MM	INCH
$\nabla$ = 0	4 PLACES	±	±
$\nabla$ = 0	3 PLACES	±	±
$\nabla$ = 0	2 PLACES	±	±
$\nabla$ = 0	1 PLACE	±	±
$\nabla$ = 0	0 PLACES	±	±
$\nabla$ = 0	ANGULAR TOL	± °	
$\nabla$ = 0	DRAFT WHERE APPLICABLE MUST REMAIN WITHIN DIMENSIONS		THIRD ANGLE PROJECTION
			DRAWING
			SERIES
			C-SIZE
			130147
			2019/02/05
			2019/05/17
			2019/10/16
			INITIAL REVISION:
			DRWN: SRPATIL
			APPR: HKNEELAND
			2019/02/05
			2019/10/16
			EC NO: 616960
			DRWN: SRPATIL
			CHK'D: DNGUYEN62
			APPR: HKNEELAND
			2019/02/05
			2019/05/17
			2019/10/16
			PRODUCT CUSTOMER DRAWING
			DOCUMENT NUMBER
			1301470071
			DOC TYPE
			PSD
			DOC PART
			000
			REVISION
			A
			MATERIAL NUMBER
			1301470071
			CUSTOMER
			GENERAL MARKET
			SHEET NUMBER
			1 OF 1