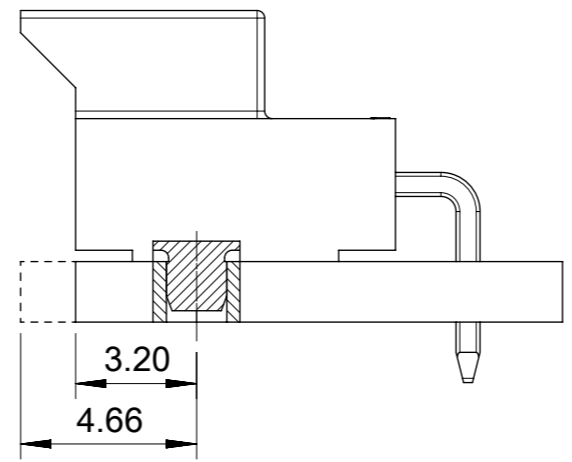
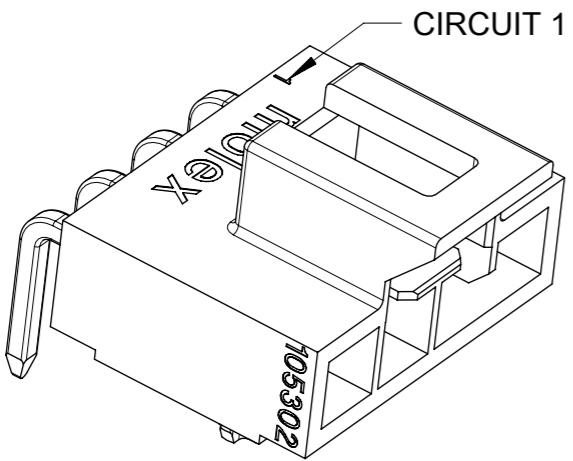
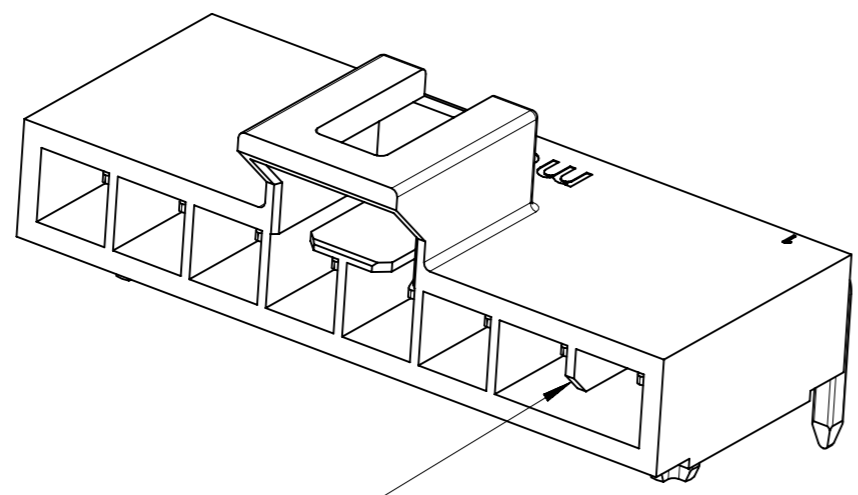


RECOMMENDED PCB(CONNECTOR SIDE VIEW) THICKNESS=1.6 TO 2.4 MM.

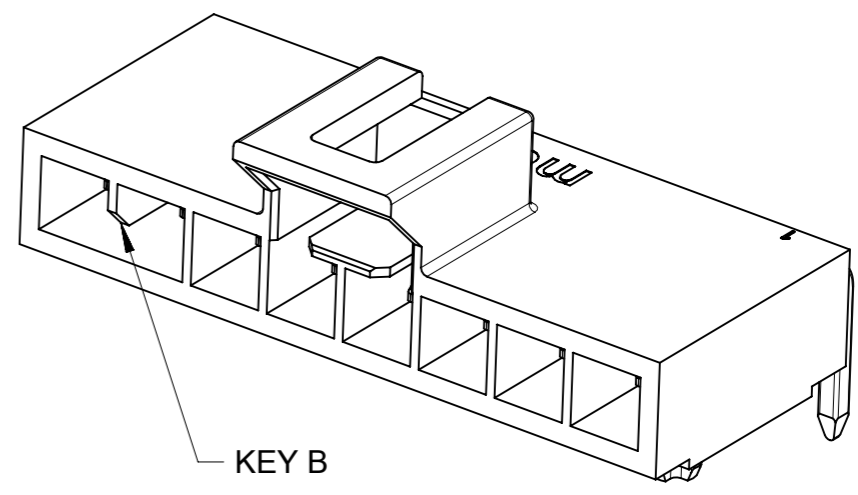


OPTION 1: LATCH FLUSH WITH PCB EDGE.
 OPTION 2: HOUSING BODY FLUSH WITH PCB EDGE.

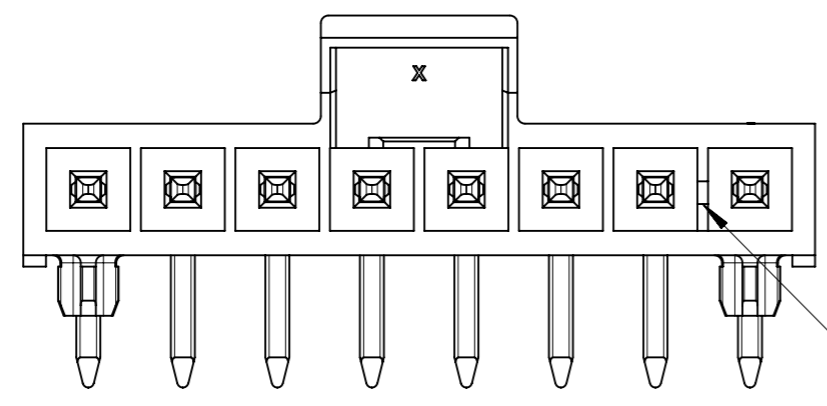
SYMBOLS ▽ = 0 ▽ = 0 ▽ = 0 ▽ = 0 ▽ = 0 ▽ = 0 ▽ = 0 ▽ = 0 ▽ = 0 ▽ = 0	THIS DRAWING CONTAINS INFORMATION THAT IS PROPRIETARY TO MOLEX ELECTRONIC TECHNOLOGIES, LLC AND SHOULD NOT BE USED WITHOUT WRITTEN PERMISSION DIMENSION UNITS: mm SCALE: NTS GENERAL TOLERANCES (UNLESS SPECIFIED): ANGULAR TOL ± 3.0° 4 PLACES ± 3 PLACES ± 0.1 2 PLACES ± 0.2 1 PLACE ± 0.3 0 PLACES ± DRAFT WHERE APPLICABLE MUST REMAIN WITHIN DIMENSIONS	CURRENT REV DESC: EC NO: 648137 DRWN: GLLI 2020/11/02 CHK'D: YXZHENG 2020/11/09 APPR: YXZHENG 2020/11/09 INITIAL REVISION: DRWN: GLLI 2015/05/29 APPR: AYIN 2016/04/27	molex HEADER OF NANO-FIT, S/R, R/A POWER CONNECTOR PRODUCT CUSTOMER DRAWING		
	THIRD ANGLE PROJECTION DRAWING: A3-SIZE SERIES: 105313	DOCUMENT NUMBER: SD-105313-100 DOC TYPE: PSD DOC PART: 000 REVISION: J			



KEY A

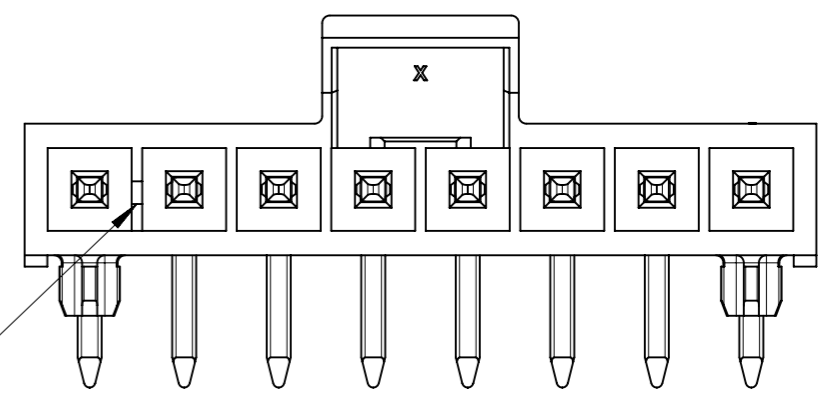


KEY B



KEY A

BLACK



KEY B

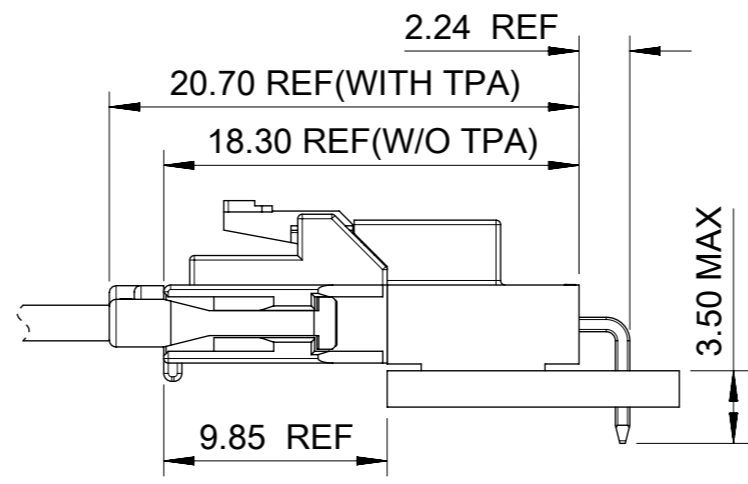
NATURAL

COLOR OPTION

SYMBOLS ▽ = 0 ▽ = 0 ▽ = 0 ▽ = 0 ▽ = 0 ▽ = 0 ▽ = 0 ▽ = 0 ▽ = 0 ▽ = 0	THIS DRAWING CONTAINS INFORMATION THAT IS PROPRIETARY TO MOLEX ELECTRONIC TECHNOLOGIES, LLC AND SHOULD NOT BE USED WITHOUT WRITTEN PERMISSION DIMENSION UNITS: mm SCALE: NTS	CURRENT REV DESC: EC NO: 648137 DRWN: GLLI 2020/11/02 CHK'D: YXZHENG 2020/11/09 APPR: YXZHENG 2020/11/09	molex		
	GENERAL TOLERANCES (UNLESS SPECIFIED) ANGULAR TOL ± 3.0° 4 PLACES ± 3 PLACES ± 0.1 2 PLACES ± 0.2 1 PLACE ± 0.3 0 PLACES ±	INITIAL REVISION: DRWN: GLLI 2015/05/29 APPR: AYIN 2016/04/27	HEADER OF NANO-FIT, S/R, R/A POWER CONNECTOR		
	DRAFT WHERE APPLICABLE MUST REMAIN WITHIN DIMENSIONS	THIRD ANGLE PROJECTION 	DRAWING: A3-SIZE SERIES: 105313	PRODUCT CUSTOMER DRAWING DOCUMENT NUMBER: SD-105313-100 DOC TYPE: PSD DOC PART: 000 REVISION: J	
				MATERIAL NUMBER: GENERAL MARKET	CUSTOMER: GENERAL MARKET

PART NUMBER	DIM 'A'	DIM 'B'	DIM 'C'	CKT SIZE	PLATING	LUBE
105313-1102	5.94	2.50	3.14	2	TIN	
105313-1103	8.44	5.00	5.64	3		
105313-1104	10.94	7.50	8.14	4		
105313-1105	13.44	10.00	10.64	5		
105313-1106	15.94	12.50	13.14	6		
105313-1107	18.44	15.00	15.64	7		
105313-1108	20.94	17.50	18.14	8		
105313-1202	5.94	2.50	3.14	2	GOLD 0.38	NO
105313-1203	8.44	5.00	5.64	3		
105313-1204	10.94	7.50	8.14	4		
105313-1205	13.44	10.00	10.64	5		
105313-1206	15.94	12.50	13.14	6		
105313-1207	18.44	15.00	15.64	7		
105313-1208	20.94	17.50	18.14	8		
105313-1302	5.94	2.50	3.14	2	GOLD 0.76	
105313-1303	8.44	5.00	5.64	3		
105313-1304	10.94	7.50	8.14	4		
105313-1305	13.44	10.00	10.64	5		
105313-1306	15.94	12.50	13.14	6		
105313-1307	18.44	15.00	15.64	7		
105313-1308	20.94	17.50	18.14	8		
105313-1402	5.94	2.50	3.14	2	GOLD 0.76	YES
105313-1403	8.44	5.00	5.64	3		
105313-1404	10.94	7.50	8.14	4		
105313-1405	13.44	10.00	10.64	5		
105313-1406	15.94	12.50	13.14	6		
105313-1407	18.44	15.00	15.64	7		
105313-1408	20.94	17.50	18.14	8		

COLOR: BLACK

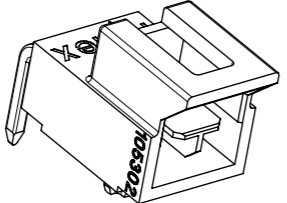
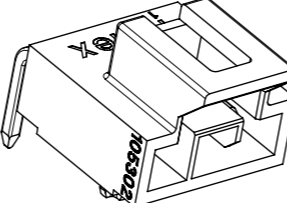
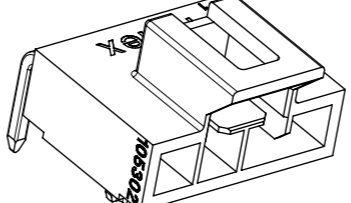
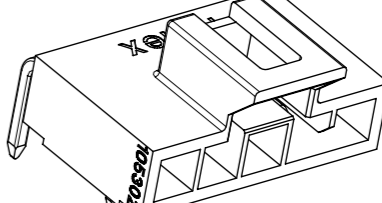
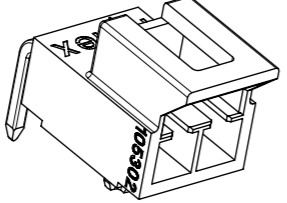
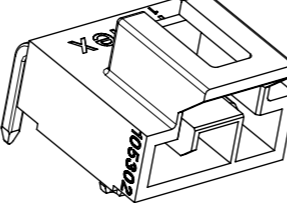
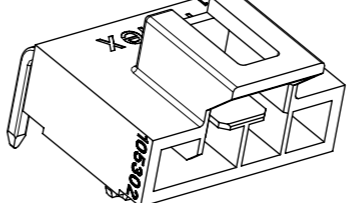
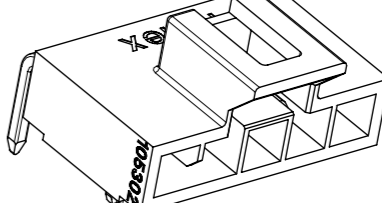
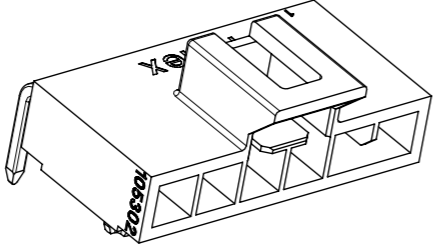
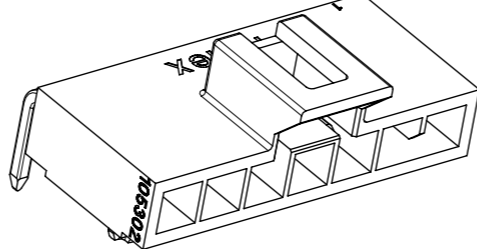
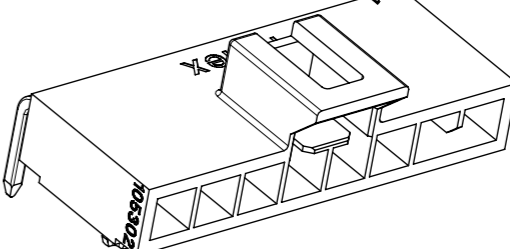
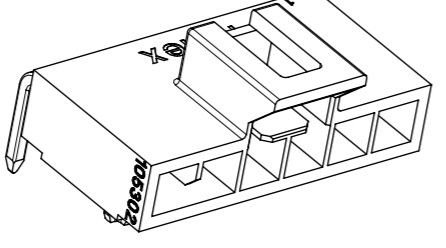
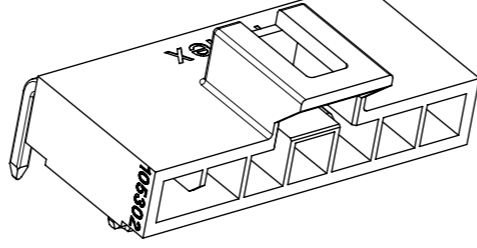
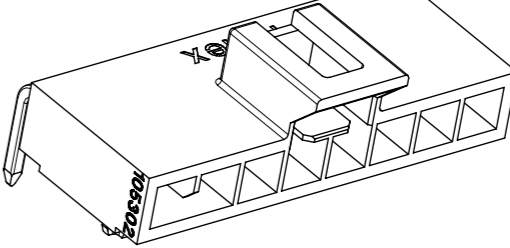


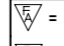
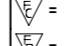
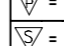
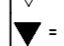
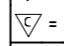
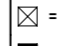



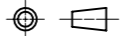
105313- * * * *
 CIRCUIIT SIZE
 PLATING OPTION
 1 - TIN
 2 - GOLD 0.38
 3 - GOLD 0.76
 4 - GOLD AND LUBE
 COLOR OPTION
 1 - BLACK
 2 - NATURAL

PART NUMBER	DIM 'A'	DIM 'B'	DIM 'C'	CKT SIZE	PLATING	LUBE
105313-2102	5.94	2.50	3.14	2	TIN	
105313-2103	8.44	5.00	5.64	3		
105313-2104	10.94	7.50	8.14	4		
105313-2105	13.44	10.00	10.64	5		
105313-2106	15.94	12.50	13.14	6		
105313-2107	18.44	15.00	15.64	7		
105313-2108	20.94	17.50	18.14	8		
105313-2202	5.94	2.50	3.14	2	GOLD 0.38	NO
105313-2203	8.44	5.00	5.64	3		
105313-2204	10.94	7.50	8.14	4		
105313-2205	13.44	10.00	10.64	5		
105313-2206	15.94	12.50	13.14	6		
105313-2207	18.44	15.00	15.64	7		
105313-2208	20.94	17.50	18.14	8		
105313-2302	5.94	2.50	3.14	2	GOLD 0.76	
105313-2303	8.44	5.00	5.64	3		
105313-2304	10.94	7.50	8.14	4		
105313-2305	13.44	10.00	10.64	5		
105313-2306	15.94	12.50	13.14	6		
105313-2307	18.44	15.00	15.64	7		
105313-2308	20.94	17.50	18.14	8		
105313-2402	5.94	2.50	3.14	2	GOLD 0.76	YES
105313-2403	8.44	5.00	5.64	3		
105313-2404	10.94	7.50	8.14	4		
105313-2405	13.44	10.00	10.64	5		
105313-2406	15.94	12.50	13.14	6		
105313-2407	18.44	15.00	15.64	7		
105313-2408	20.94	17.50	18.14	8		

COLOR: NATURAL

SYMBOLS ▽ = 0 ▽ = 0 ▽ = 0 ▽ = 0 ▽ = 0 ▽ = 0 ▽ = 0 ▽ = 0 ▽ = 0 ▽ = 0 ▽ = 0 ▽ = 0	THIS DRAWING CONTAINS INFORMATION THAT IS PROPRIETARY TO MOLEX ELECTRONIC TECHNOLOGIES, LLC AND SHOULD NOT BE USED WITHOUT WRITTEN PERMISSION DIMENSION UNITS: mm SCALE: NTS	CURRENT REV DESC: EC NO: 648137 DRWN: GLLI 2020/11/02 CHK'D: YXZHENG 2020/11/09 APPR: YXZHENG 2020/11/09			
	GENERAL TOLERANCES (UNLESS SPECIFIED) ANGULAR TOL ± 3.0°	INITIAL REVISION: DRWN: GLLI 2015/05/29 APPR: AYIN 2016/04/27	HEADER OF NANO-FIT, S/R, R/A POWER CONNECTOR		
	4 PLACES ± 3 PLACES ± 0.1 2 PLACES ± 0.2 1 PLACE ± 0.3 0 PLACES ±	DRAFT WHERE APPLICABLE MUST REMAIN WITHIN DIMENSIONS	THIRD ANGLE PROJECTION	DRAWING: A3-SIZE	SERIES: 105313
	PRODUCT CUSTOMER DRAWING DOCUMENT NUMBER: SD-105313-100		DOC TYPE: PSD	DOC PART: 000	REVISION: J
MATERIAL NUMBER: GENERAL MARKET		CUSTOMER: GENERAL MARKET			
SHEET NUMBER: 3 OF 5					

		2 CKT	3 CKT	4 CKT	5 CKT
F	BLACK				
E	NATURAL				
		6 CKT	7 CKT	8 CKT	
D	BLACK				
C	NATURAL				

SYMBOLS  = 0  = 0  = 0  = 0  = 0  = 0  = 0  = 0	THIS DRAWING CONTAINS INFORMATION THAT IS PROPRIETARY TO MOLEX ELECTRONIC TECHNOLOGIES, LLC AND SHOULD NOT BE USED WITHOUT WRITTEN PERMISSION DIMENSION UNITS: mm SCALE: NTS GENERAL TOLERANCES (UNLESS SPECIFIED) ANGULAR TOL: $\pm 3.0^\circ$ 4 PLACES: \pm 3 PLACES: ± 0.1 2 PLACES: ± 0.2 1 PLACE: ± 0.3 0 PLACES: \pm DRAFT WHERE APPLICABLE MUST REMAIN WITHIN DIMENSIONS	CURRENT REV DESC: EC NO: 648137 DRWN: GLLI 2020/11/02 CHK'D: YXZHENG 2020/11/09 APPR: YXZHENG 2020/11/09 INITIAL REVISION: DRWN: GLLI 2015/05/29 APPR: AYIN 2016/04/27	 HEADER OF NANO-FIT, S/R, R/A POWER CONNECTOR PRODUCT CUSTOMER DRAWING
	THIRD ANGLE PROJECTION 	DRAWING: A3-SIZE SERIES: 105313 MATERIAL NUMBER: SD-105313-100 CUSTOMER: GENERAL MARKET	

NOTES FOR ALL PARTS

1> MATERIAL:
HOUSING: LCP, UL 94V-0; TERMINAL: BRASS.

2> PLATING FINISHED:
TERMINAL:
CONTACT AREA: a. REFLOWED MATTE TIN 1.5MICRONS MIN;
b. GOLD 0.38 MICRONS MIN;
c. GOLD 0.76 MICRONS MIN.

SOLDER AREA: TIN 1.5 MICRONS MIN, UNDER PLATING NICKEL 1.25 MICRONS MIN.

SOLDER CLIP: TIN 2.5 MICRONS MIN, UNDER PLATING NICKEL 1.25 MICRONS MIN.

3> PRODUCT SPECIFICATION: PS-105300-100.

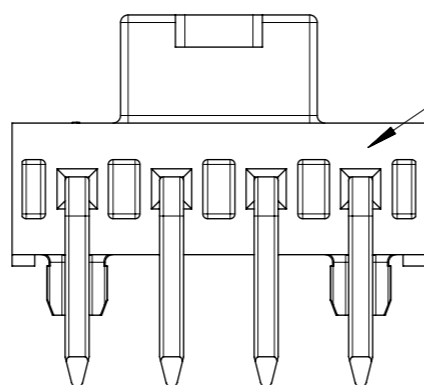
4> PACKAGE: TRAY, PK-105309-400.

5> ALL COMPONENTS AND PRODUCT COMPLIANT TO RoHS DIRECTIVE 2011/65/EU AND ELV DIRECTIVE 2000/53/EC.

6> PRODUCT MATE WITH SERIES OF 105307(RECEPTACLE), 105300(CRIMP TERMINAL).

7> PARTS CONFORM TO CLASS 'B'REQUIREMENTS OF COSMETIC SPECIFICATION PS-45499-002.

8> DISCOLORATION IN THE BANDOLIER PIN CARRIER AREA OF THE PIN IS INHERENT TO THE PLATING PROCESS AND IS DUE TO THE MASKING DEFECT OF THE CARRIER, THIS DISCOLORATION IS IN A NON-FUNCTION AREA OF THE PIN AND WILL NOT AFFECT THE PERFORMANCE OF THE HEADER ASSEMBLY.



IF ANY NUMBER MARK APPEARS ON THIS SURFACE, PLEASE DISREGARD IT, IT IS NO ANY FUCTION AND NO ANY RELATION TO PIN NUMBER, IT IS JUST FOR MOLDING IDENTIFICATION.

SYMBOLS	THIS DRAWING CONTAINS INFORMATION THAT IS PROPRIETARY TO MOLEX ELECTRONIC TECHNOLOGIES, LLC AND SHOULD NOT BE USED WITHOUT WRITTEN PERMISSION		CURRENT REV DESC:			molex		
	DIMENSION UNITS	SCALE						
▽ = 0	mm	NTS	GENERAL TOLERANCES (UNLESS SPECIFIED)			PRODUCT CUSTOMER DRAWING		
▽ = 0	ANGULAR TOL ± 3.0°		DRWN: GLLI 2020/11/09			DOCUMENT NUMBER		
▽ = 0	4 PLACES ±		CHK'D: YXZHENG 2020/11/09			DOC TYPE DOC PART REVISION		
▽ = 0	3 PLACES ± 0.1		APPR: YXZHENG 2020/11/09			SD-105313-100 PSD 000 J		
▽ = 0	2 PLACES ± 0.2		INITIAL REVISION:			MATERIAL NUMBER		
▽ = 0	1 PLACE ± 0.3		DRWN: GLLI 2015/05/29			CUSTOMER		
▽ = 0	0 PLACES ±		APPR: AYIN 2016/04/27			GENERAL MARKET		
■ = 0	DRAFT WHERE APPLICABLE MUST REMAIN WITHIN DIMENSIONS		THIRD ANGLE PROJECTION	DRAWING	SERIES	SHEET NUMBER		
▽ = 0				A3-SIZE	105313	5 OF 5		