

- NOTES
- ① 材質及び仕上げ(めっき仕様) : TABLE 1, TABLE 2 参照
MATERIAL AND FINISHES (PLATING SPECIFICATION) : SEE TABLE 1 AND TABLE 2
 - ② 適合嵌合相手 : 505570シリーズ
MATE WITH : 505570 SERIES
 - ③ 端子テール部及びネイルの平坦度 : 0.1mm以下
TAIL AND NAIL COPLANARITY TO BE 0.1mm MAXIMUM.
 - ④ 偶数極に適用
APPLY TO EVEN CIRCUIT
 - ⑤ 製品仕様書 : 5055700001-PS PS 000
PRODUCT SPECIFICATION : 5055700001-PS PS 000
 - ⑥ コネクタ取扱説明書 : 5055700001 PS A03
APPLICATION SPECIFICATION : 5055700001 PS A03
 - ⑦ 本製品は錫めっき品である。
金めっき品は5055780002-SD PSD 000をご参照下さい。
THIS IS TIN PLATING PRODUCT.
PLEASE REFER TO 5055780002-SD PSD 000 FOR GOLD PLATING PRODUCT.
 - ⑧ 発注番号
ORDER NUMBER

505578**7*

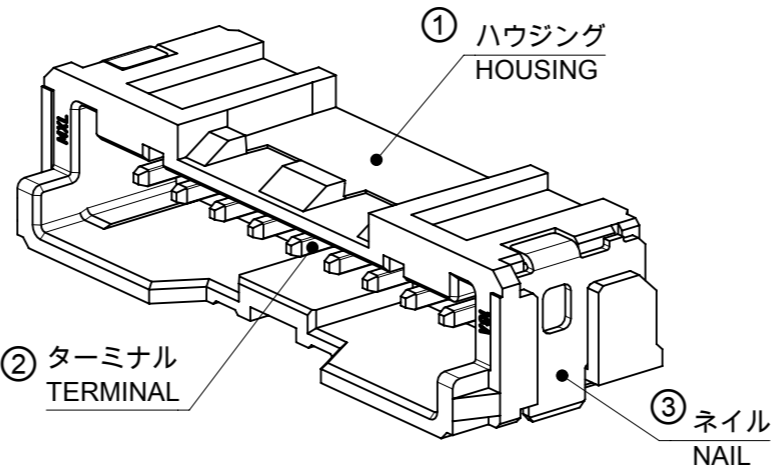
極数
CIRCUIT SIZE

番号 NO.	ハウジングカラー HOUSING COLOR
0	ナチュラル(白) NATURAL(WHITE)
1	黒 BLACK

			BLACK	NATURAL(WHITE)	HOUSING COLOR
34.53	30	36	5055781671	5055781670	16
32.53	28	34	5055781571	5055781570	15
30.53	26	32	5055781471	5055781470	14
28.53	24	30	5055781371	5055781370	13
26.53	22	28	5055781271	5055781270	12
24.53	20	26	5055781171	5055781170	11
22.53	18	24	5055781071	5055781070	10
20.53	16	22	5055780971	5055780970	9
18.53	14	20	5055780871	5055780870	8
16.53	12	18	5055780771	5055780770	7
14.53	10	16	5055780671	5055780670	6
12.53	8	14	5055780571	5055780570	5
10.53	6	12	5055780471	5055780470	4
8.53	4	10	5055780371	5055780370	3
6.53	2	8	5055780271	5055780270	2

TABLE 1

番号 NO.	部品 PART	材質 MATERIAL
①	ハウジング HOUSING	ポリアミド(PA), UL94 V-0, 色 : 注記8参照 POLYAMIDE(PA), UL94 V-0, COLOR: SEE NOTE 8
②	ターミナル TERMINAL	黄銅 BRASS
		錫めっき : 1.0 MICROMETER MINIMUM MATTE TIN PLATING ニッケルめっき (下地めっき) : 1.0 MICROMETER MINIMUM NICKEL PLATING (UNDER PLATING)
③	ネイル NAIL	リン青銅 PHOSPHOR BRONZE
		錫めっき : 1.0 MICROMETER MINIMUM MATTE TIN PLATING ニッケルめっき (下地めっき) : 1.0 MICROMETER MINIMUM NICKEL PLATING (UNDER PLATING)

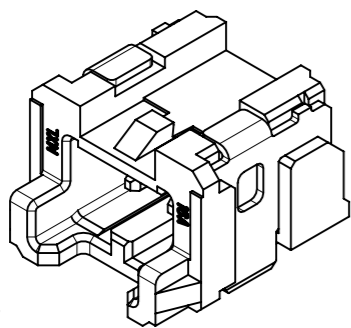


THIS DRAWING CONTAINS INFORMATION THAT IS PROPRIETARY TO MOLEX ELECTRONIC TECHNOLOGIES, LLC AND SHOULD NOT BE USED WITHOUT WRITTEN PERMISSION

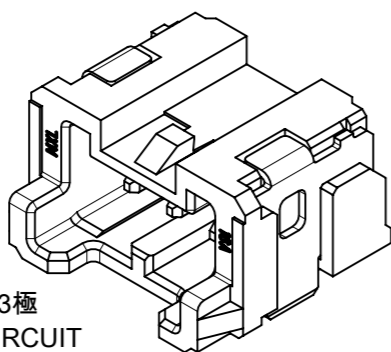
DIMENSION UNITS	SCALE	CURRENT REV DESC:	molex		
mm	NTS				
GENERAL TOLERANCES (UNLESS SPECIFIED)			MICRO-LOCK PLUS 2.0 W/B SINGLE ROW RIGHT ANGLE SMT PLUG ASSEMBLY TIN PLATING		
ANGULAR TOL	± 3.0 °		PRODUCT CUSTOMER DRAWING		
4 PLACES	± 0.2	EC NO: 718854	DOCUMENT NUMBER		
3 PLACES	± 0.2	DRWN: SOKUMURA01	DOC TYPE		
2 PLACES	± 0.2	CHK'D: SAKIYAMA	DOC PART		
1 PLACE	± 0.2	APPR: MARAI	REVISION		
0 PLACES	± 0.2	INITIAL REVISION:	5055780001		
		DRWN: TENAGASE	PSD 000 C		
		APPR: TKANEKO	SHEET NUMBER		
DRAFT WHERE APPLICABLE MUST REMAIN WITHIN DIMENSIONS	THIRD ANGLE PROJECTION	DRAWING	SERIES	MATERIAL NUMBER	CUSTOMER
		A3-SIZE	505578	SEE CHART	GENERAL

製品形状
PRODUCT SHAPE

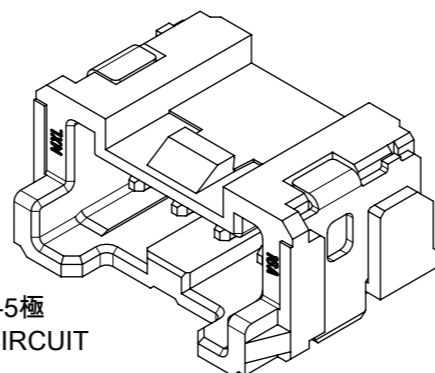
2極
2 CIRCUIT



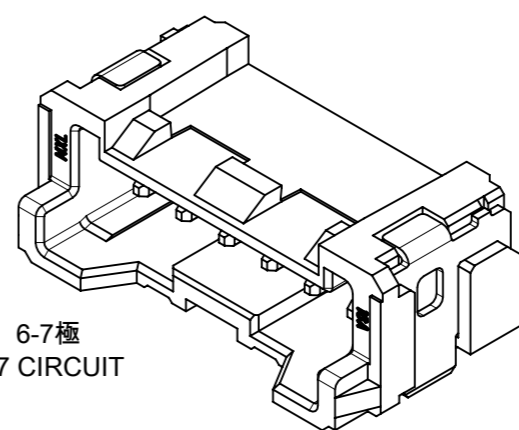
3極
3 CIRCUIT



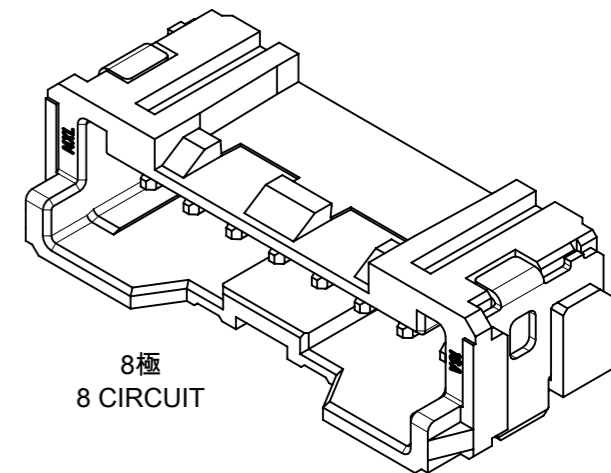
4-5極
4-5 CIRCUIT



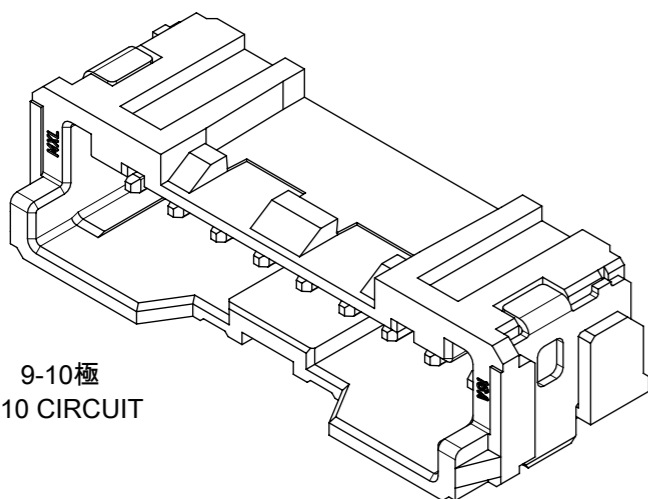
6-7極
6-7 CIRCUIT



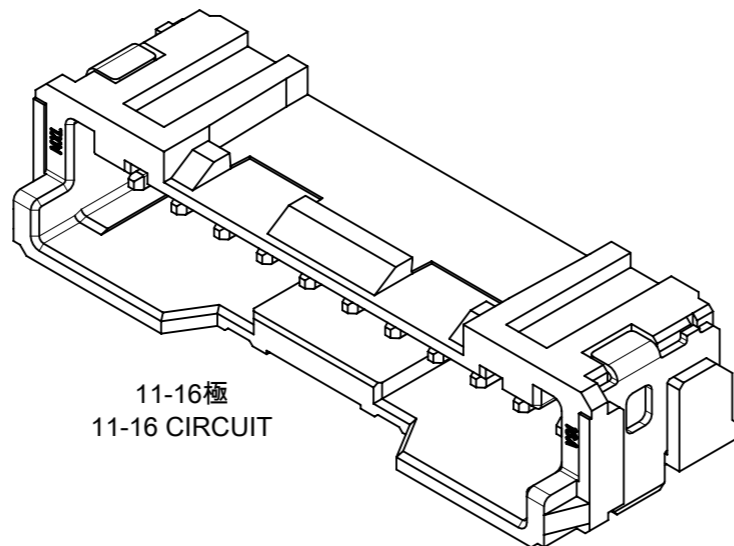
8極
8 CIRCUIT



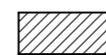
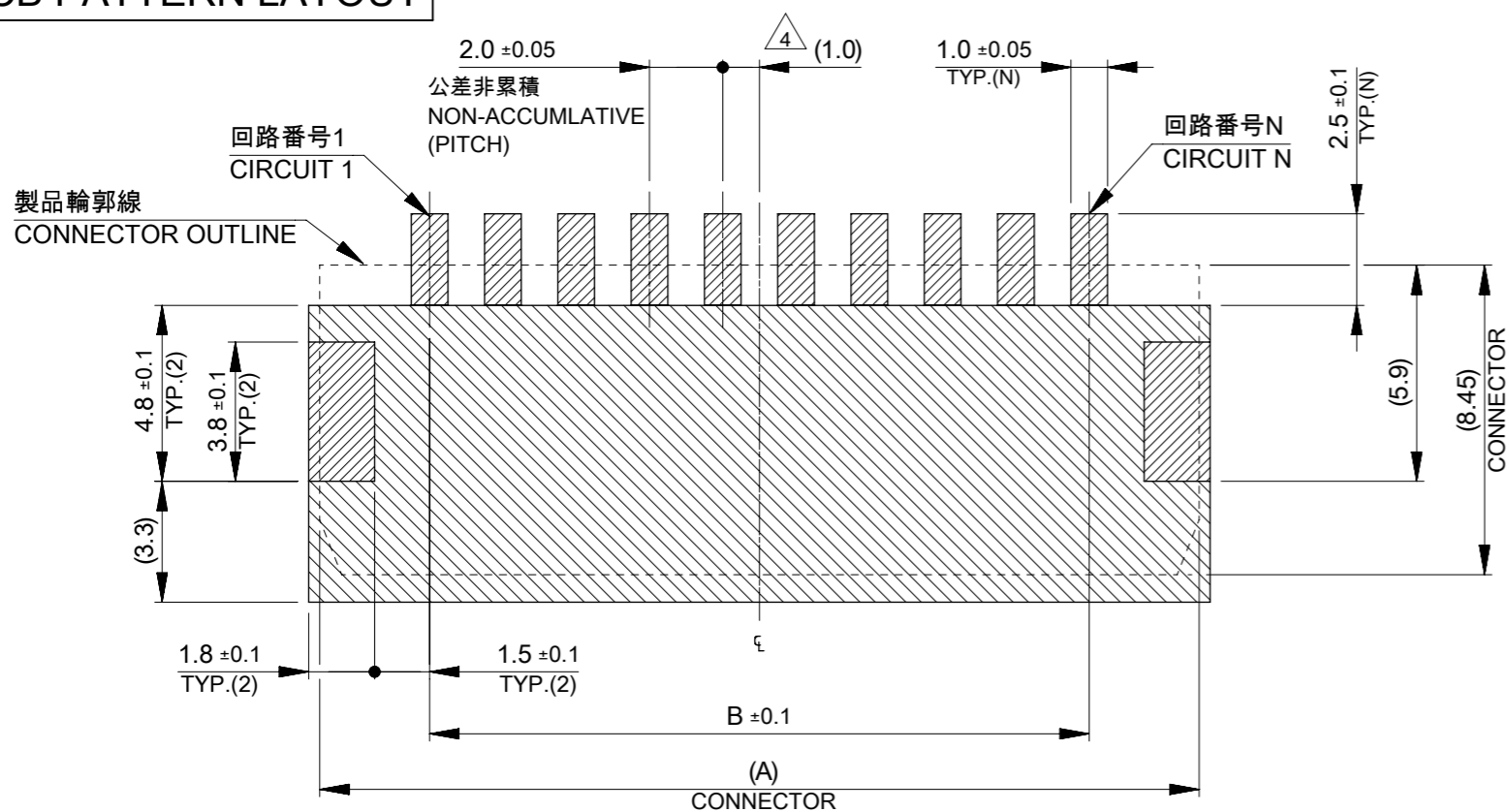
9-10極
9-10 CIRCUIT



11-16極
11-16 CIRCUIT



基板パターンレイアウト
PCB PATTERN LAYOUT



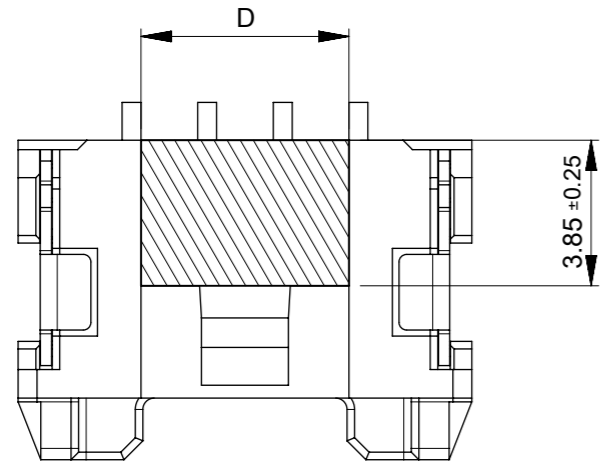
基板パターンレイアウト(参考)
(参考: 基板厚1.6mm, メタルマスク厚み0.15mm, マスク開口率100%)
PCB PATTERN LAYOUT (REFERENCE)
(REFERENCE: PCB THICKNESS 1.6mm, STENCIL THICKNESS 0.15mm, APERTURE RATIO 100%)



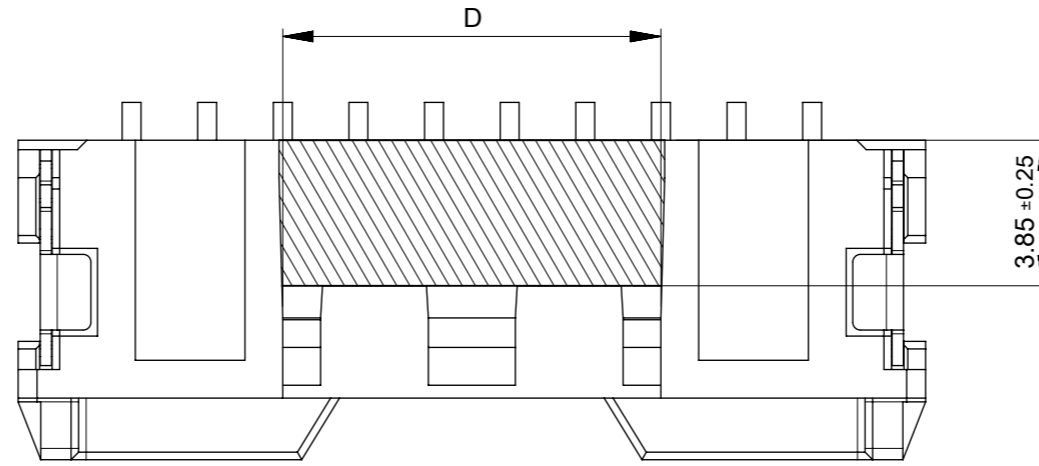
パターン非推奨エリア
パターンを引き回す際には製品機能に影響がないことを御確認ください。
PATTERN IS NOT RECOMMENDED ON THE HATCHING AREA.
PLEASE CHECK NOT TO HAVE PROBLEM FOR PRODUCT FUNCTION
WHEN SETTING PATTERN ON THE HATCHING AREA.

THIS DRAWING CONTAINS INFORMATION THAT IS PROPRIETARY TO MOLEX ELECTRONIC TECHNOLOGIES, LLC AND SHOULD NOT BE USED WITHOUT WRITTEN PERMISSION													
DIMENSION UNITS		SCALE		CURRENT REV DESC:									
mm		NTS		<p style="text-align: center;">molex</p> <p style="text-align: center;">MICRO-LOCK PLUS 2.0 W/B SINGLE ROW RIGHT ANGLE SMT PLUG ASSEMBLY TIN PLATING</p> <p style="text-align: center;">PRODUCT CUSTOMER DRAWING</p>									
GENERAL TOLERANCES (UNLESS SPECIFIED)													
ANGULAR TOL ± 3.0 °													
4 PLACES ± 0.2		EC NO: 718854								DRWN: SOKUMURA01		2023/02/28	
3 PLACES ± 0.2		CHK'D: SAKIYAMA								APPR: MARAI		2023/08/04	
2 PLACES ± 0.2		INITIAL REVISION:								DRWN: TENAGASE		2016/05/12	
1 PLACE ± 0.2		APPR: TKANEKO		2016/06/23		DOCUMENT NUMBER		DOC TYPE DOC PART REVISION					
0 PLACES ± 0.2		DRAFT WHERE APPLICABLE MUST REMAIN WITHIN DIMENSIONS		THIRD ANGLE PROJECTION		DRAWING		SERIES					
				A3-SIZE		505578		MATERIAL NUMBER					
				SEE SHEET 1		CUSTOMER		SHEET NUMBER					
				GENERAL		2 OF 4							

吸着エリア
SUCTION AREA

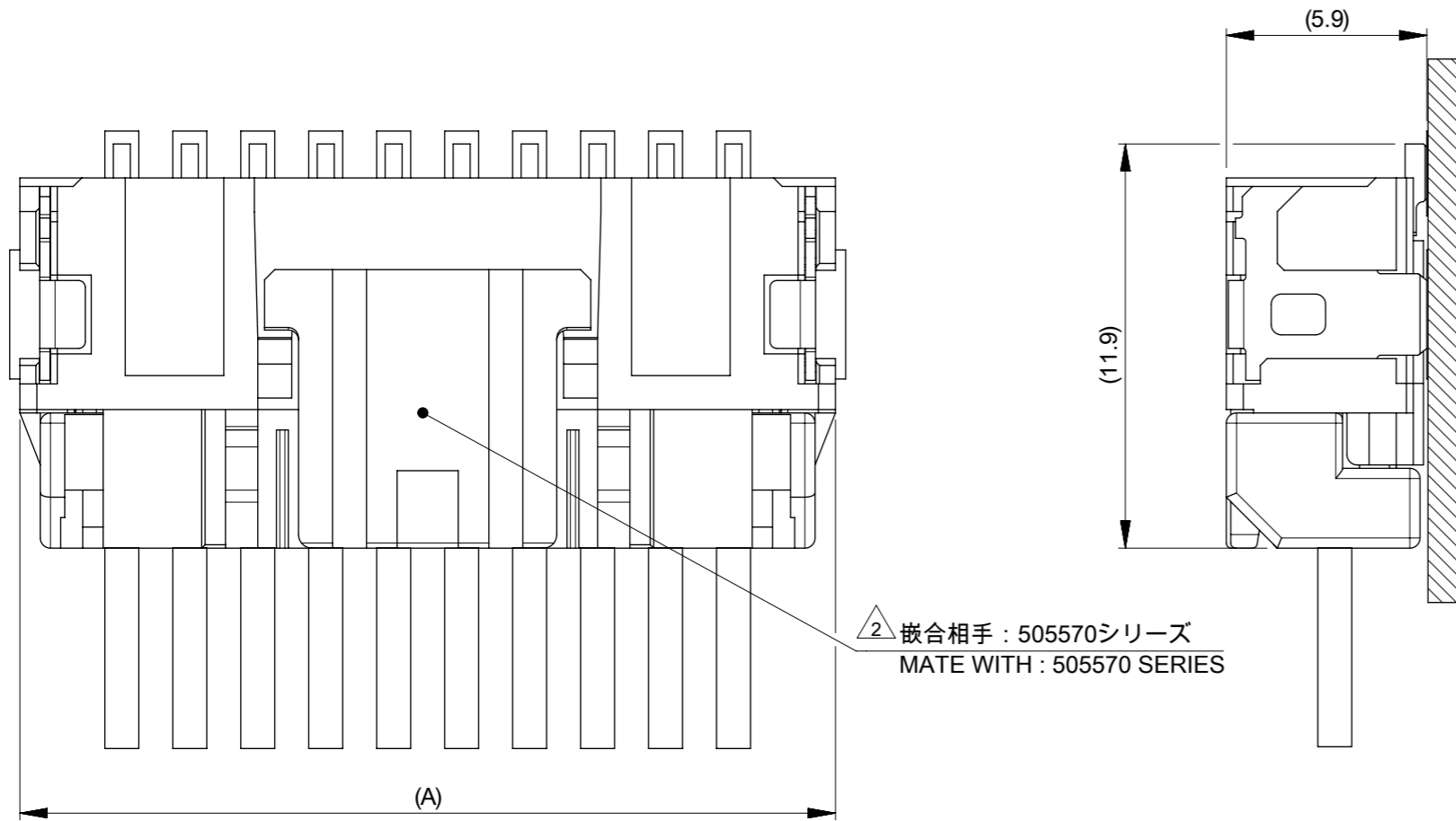


2-5CKT



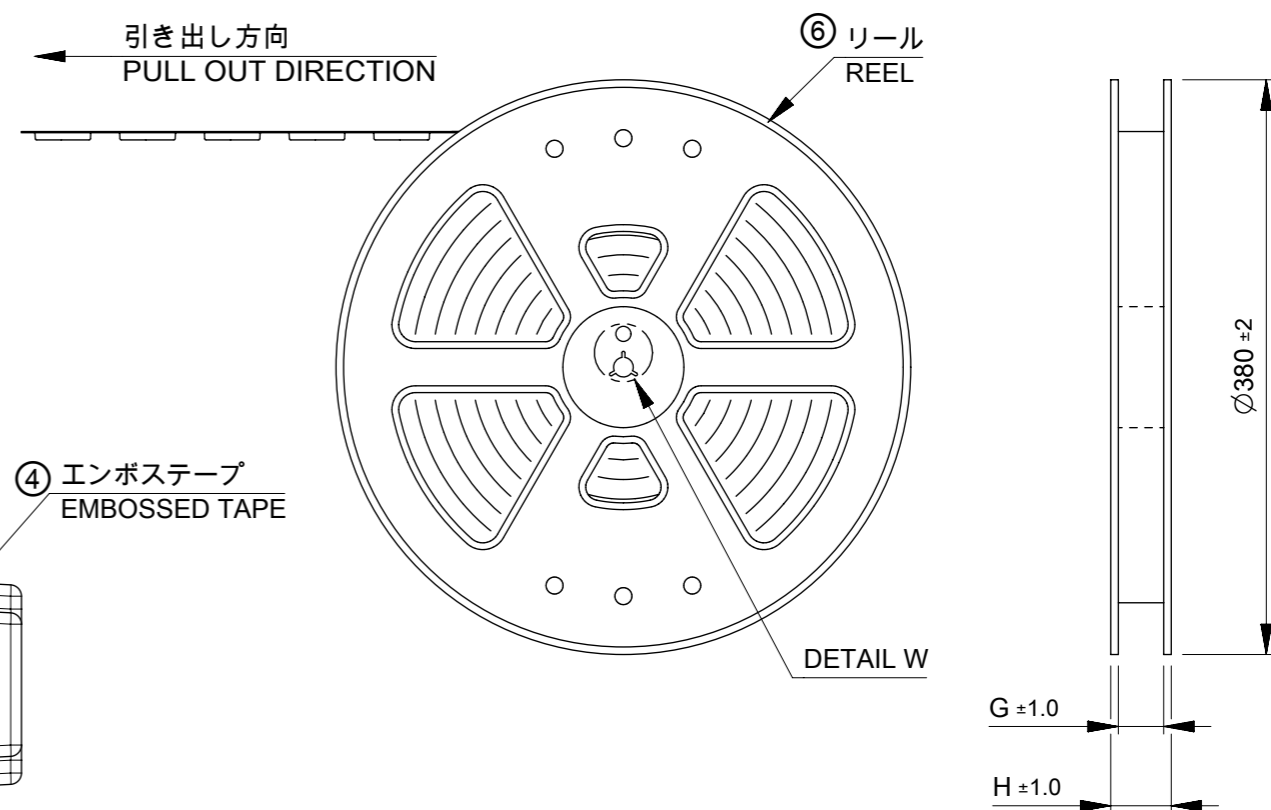
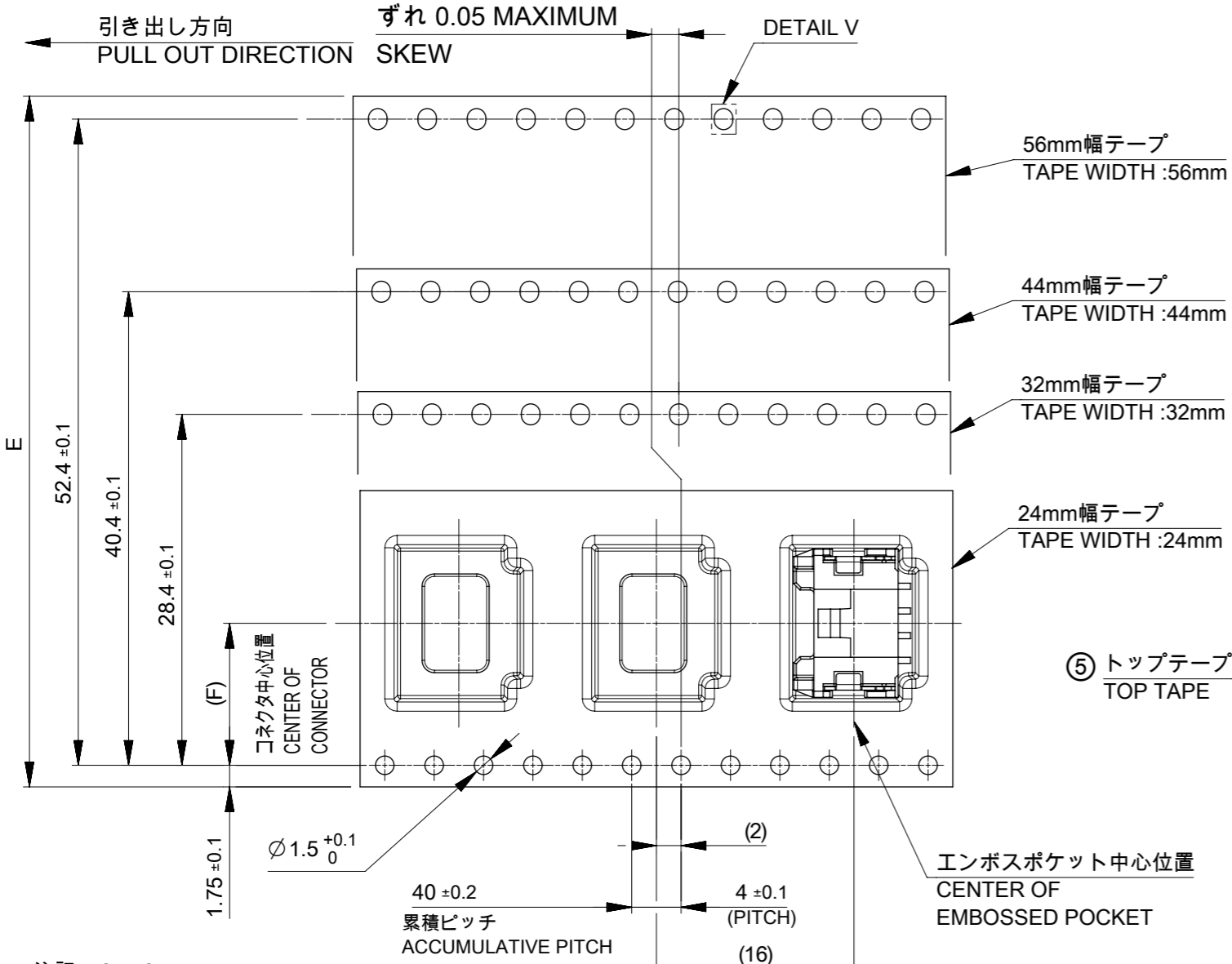
6-16CKT

嵌合状態図
MATED CONNECTORS



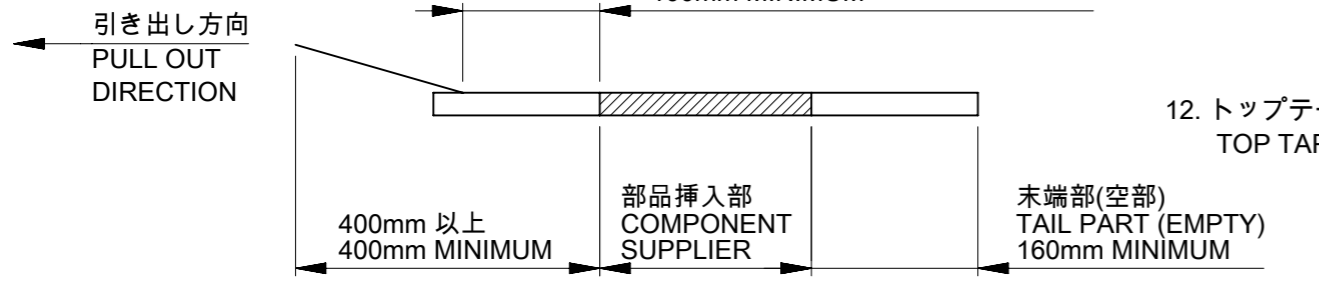
14	16
	15
	14
	13
	12
10	11
	10
	9
	8
5.5	7
	6
	5
3.5	4
	3
D	2
D	極数 CIRCUIT SIZE

THIS DRAWING CONTAINS INFORMATION THAT IS PROPRIETARY TO MOLEX ELECTRONIC TECHNOLOGIES, LLC AND SHOULD NOT BE USED WITHOUT WRITTEN PERMISSION									
DIMENSION UNITS		SCALE		CURRENT REV DESC:					
mm		NTS							
GENERAL TOLERANCES (UNLESS SPECIFIED)				EC NO: 718854					
ANGULAR TOL ± 3.0 °				4 PLACES ± 0.2		DRWN: SOKUMURA01		2023/02/28	
3 PLACES ± 0.2				2 PLACES ± 0.2		CHK'D: SAKIYAMA		2023/08/04	
2 PLACES ± 0.2				1 PLACE ± 0.2		APPR: MARAI		2023/08/04	
1 PLACE ± 0.2				0 PLACES ± 0.2		INITIAL REVISION:		DOCUMENT NUMBER	
DRAFT WHERE APPLICABLE MUST REMAIN WITHIN DIMENSIONS				THIRD ANGLE PROJECTION		DRAWING		SERIES	
A3-SIZE		505578		MATERIAL NUMBER		CUSTOMER		SHEET NUMBER	
SEE SHEET 1		GENERAL		5055780001		PSD 000		C	

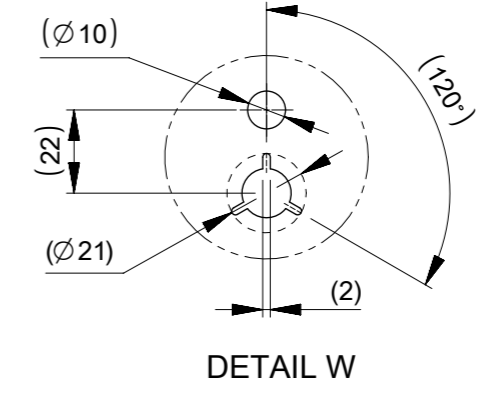
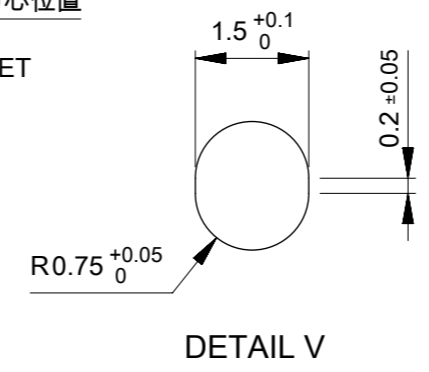


注記 NOTES

- 9. 梱包数量 : 900個
NUMBER OF CONNECTORS : 900 PIECES/REEL
- 10. 梱包仕様書 : 5055789200 PS 200
PACKING SPECIFICATION : 5055789200 PS 200
- 11. リードテープ長さ
LEAD TAPE LENGTH



12. トップテープの剥離強度については、IEC 60286-3に準拠
TOP TAPE PEEL FORCE IS DEFINED BY IEC 60286-3.



61.4	57.4	26.2	56±0.3	16
				15
				14
				13
				12
49.4	45.4	20.2	44±0.3	11
				10
				9
				8
				7
37.4	33.4	14.2	32±0.3	6
				5
				4
29.4	25.4	11.5	24 ^{+0.3} / _{-0.1}	3
				2
H	G	F	E	極数 CIRCUIT SIZE

TABLE 2

番号 NO.	部品 PART	材質 MATERIAL
④	エンボステープ EMBOSSSED TAPE	ポリスチレン(PS) POLYSTYRENE(PS)
⑤	トップテープ TOP TAPE	ポリエチレン(PE), その他 POLYETHYLENE(PE), OTHER
⑥	リール REEL	ポリスチレン(PS), [リサイクル材を含む] POLYSTYRENE(PS) [RECYCLE MATERIAL CONTAINED]

THIS DRAWING CONTAINS INFORMATION THAT IS PROPRIETARY TO MOLEX ELECTRONIC TECHNOLOGIES, LLC AND SHOULD NOT BE USED WITHOUT WRITTEN PERMISSION

DIMENSION UNITS mm	SCALE NTS	CURRENT REV DESC:		molex		
GENERAL TOLERANCES (UNLESS SPECIFIED)		EC NO: 718854				
ANGULAR TOL	± 3.0 °	4 PLACES	± 0.2	DRWN: SOKUMURA01	2023/02/28	PRODUCT CUSTOMER DRAWING
3 PLACES	± 0.2	CHK'D: SAKIYAMA	2023/08/04	APPR: MARAI	2023/08/04	
2 PLACES	± 0.2	INITIAL REVISION:		DOCUMENT NUMBER		
1 PLACE	± 0.2	DRWN: TENAGASE	2016/05/12	5055780001		DOC TYPE DOC PART REVISION
0 PLACES	± 0.2	APPR: TKANEKO	2016/06/23	PSD	000	C
DRAFT WHERE APPLICABLE MUST REMAIN WITHIN DIMENSIONS		THIRD ANGLE PROJECTION	DRAWING	SERIES	MATERIAL NUMBER	CUSTOMER
		⊕	A3-SIZE	505578	SEE SHEET 1	GENERAL
						SHEET NUMBER 4 OF 4