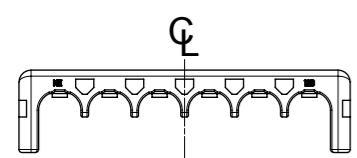
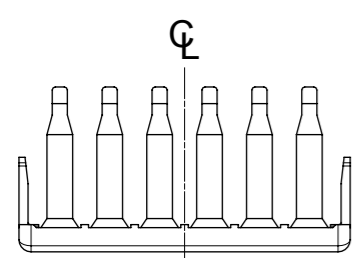
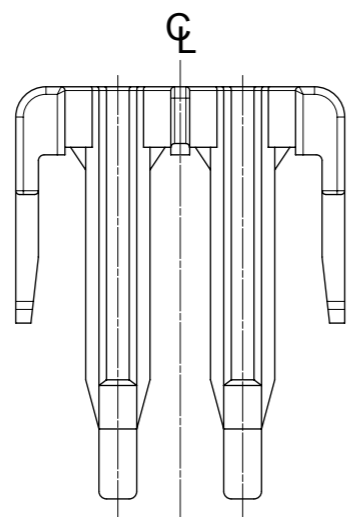
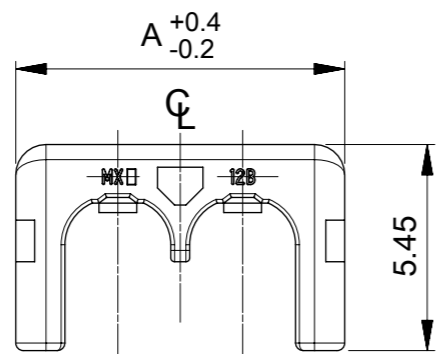
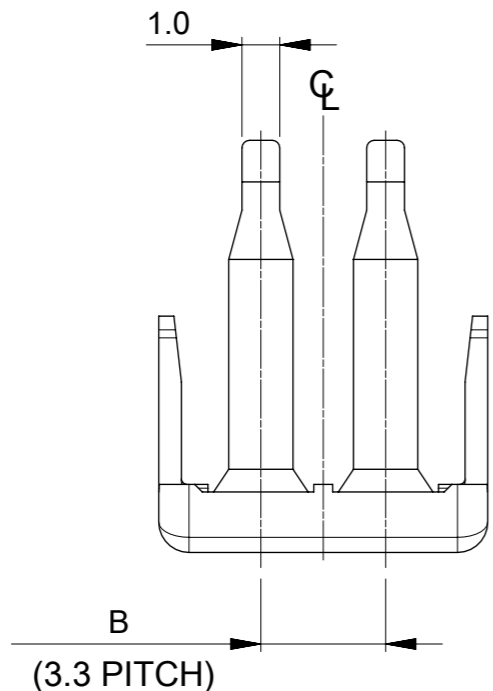
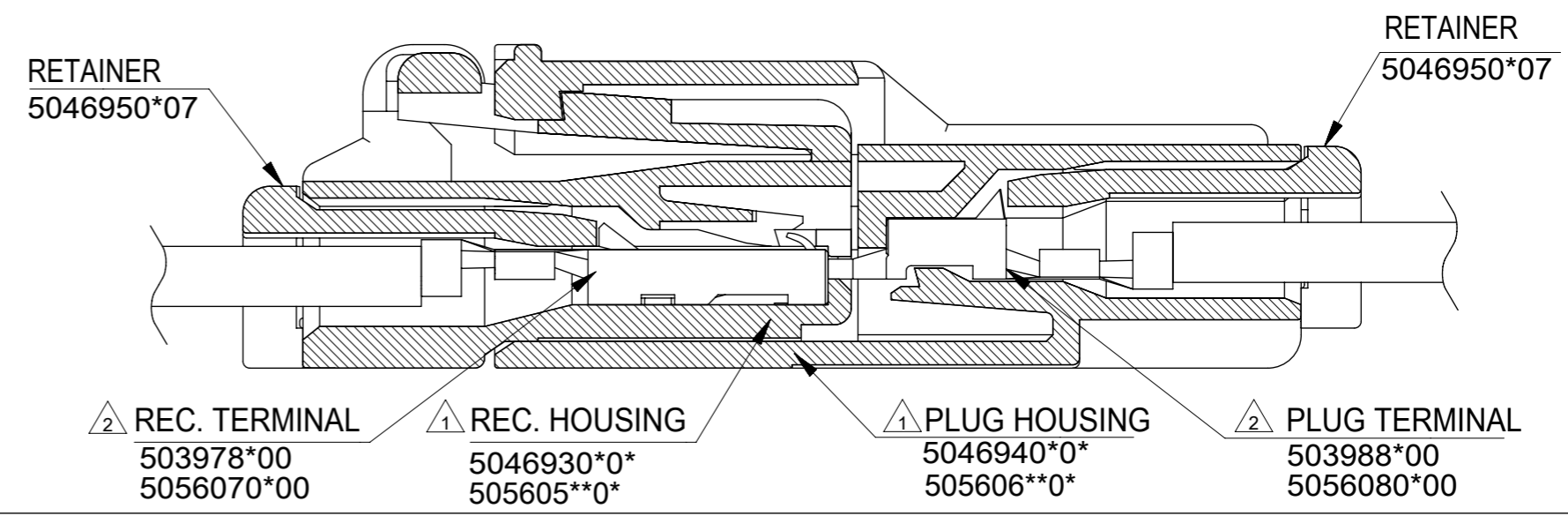


SHAPE OF 2CKT



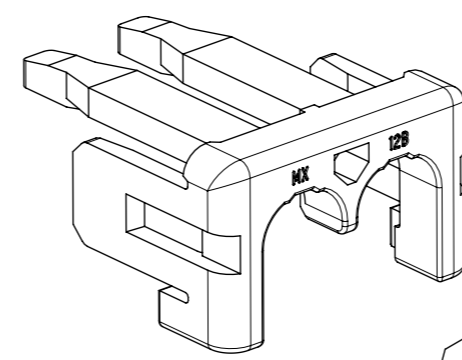
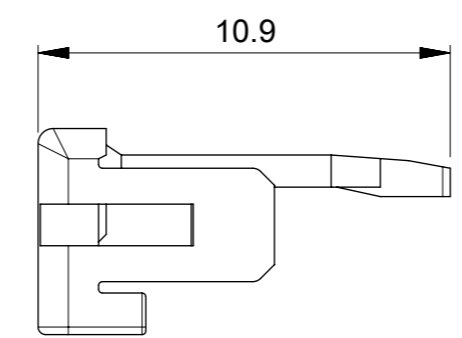
VIEW OF CKT.6

ターミナル嵌合状態図
TERMINAL MATING DRAWING



注記
NOTES

- ① 適合ハウジング:504693,504694,505605,505606 シリーズ。
APPLICABLE HSG: 504693,504694,505605,505606 SERIES.
- ② 適合ターミナル:50397/50398,505607/505608 シリーズ。
APPLICABLE TERMINAL: 50397/50398,505607/505608 SERIES.
- 3. 材質 : POLYESTER(PBT),UL94V-0
MATERIAL:POLYESTER(PBT),UL94V-0
色 : 茶
COLOR: BROWN
- 4. コネクタの取扱いについては、AS-504693-001/002を参照。
PLEASE REFER TO AS-504693-001/002.



ISOMETRIC VIEW
(SCALE 5:1)

PRE-RELEASE
REFERENCE
USE ONLY

16.5	21.9	6	5046950607	5046950*07
13.2	18.6	5	5046950507	
9.9	15.3	4	5046950407	
6.6	12.0	3	5046950307	
3.3	8.7	2	5046950207	
(B)	A	極数 CKT.	BAG PACKAGE オーダー番号 ORDER NO.	MODEL NO.

THIS DRAWING CONTAINS INFORMATION THAT IS PROPRIETARY TO MOLEX ELECTRONIC TECHNOLOGIES, LLC AND SHOULD NOT BE USED WITHOUT WRITTEN PERMISSION		CURRENT REV DESC:		molex	
DIMENSION UNITS	SCALE	EC NO: 639290			
mm	5:1	DRWN: KYAMADA02 2020/06/01		CP 3.3 W/W RETAINER 2-6CKT	
GENERAL TOLERANCES (UNLESS SPECIFIED)		CHK'D: AIDA 2020/07/15		PRODUCT CUSTOMER DRAWING	
ANGULAR TOL	± 3.0°	APPR:		DOCUMENT NUMBER	
4 PLACES	± 0.2	INITIAL REVISION:		DOC TYPE	
3 PLACES	± 0.2	DRWN: QHE31 2016/11/04		DOC PART	
2 PLACES	± 0.2	APPR: TKANEKO 2017/02/13		REVISION	
1 PLACE	± 0.2	SERIES		5046950000	
0 PLACES	± 0.2	MATERIAL NUMBER		PSD 000 C	
DRAFT WHERE APPLICABLE MUST REMAIN WITHIN DIMENSIONS		THIRD ANGLE PROJECTION	DRAWING	CUSTOMER	SHEET NUMBER
		⊕	A3-SIZE	GENERAL	1 OF 1