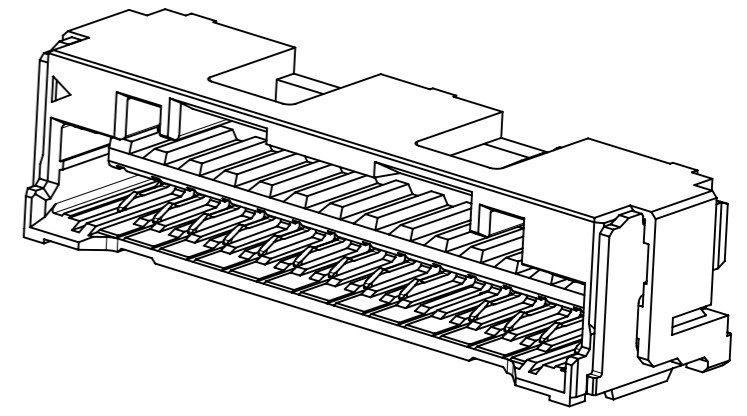


**NOTES**

- 1. 端子テール部及びネイルの平坦度 : 0.1 MAX.  
TAIL AND NAIL COPLANARITY: 0.1 MAX.
- 2. 極数 = 偶数 に適用  
APPLY FOR CIRCUIT SIZE = EVEN
- 3. 関連製品、書類はSHEET 4参照のこと  
PLEASE REFER TO SHEET 4 TABLE ABOUT RELATED PRODUCTS AND DOCUMENTS



4. オーダー番号(製品番号):SHEET 5の製品一覧を参照ください  
ORDER NO (PRODUCT NO) : REFER TO SHEET 5 FOR PRODUCT LIST

**213226 \* \* \* \***

↑ シリーズ番号 SERIES NO      ↑ 色 COLOR      ↑ 金めつき厚 GOLD PLATING THICKNESS

↑ 極数 CIRCUIT SIZE

| CIRCUIT | No. | GOLD THK [micro-meter] | No. | COLOR         |
|---------|-----|------------------------|-----|---------------|
| 02 ~ 15 | 1   | 0.1                    | 0   | ナチュラル NATURAL |
|         | 3   | 0.38                   | 1   | 黒 BLACK       |
|         | 7   | 0.76                   |     |               |

|      |       |      |       |      |       |            |
|------|-------|------|-------|------|-------|------------|
| 25   |       | 21   |       | 26.8 |       | 15         |
| 23.5 | ±0.25 | 19.5 | ±0.25 | 25.3 | ±0.25 | 14         |
| 22   |       | 18   |       | 23.8 |       | 13         |
| 20.5 |       | 16.5 |       | 22.3 |       | 12         |
| 19   |       | 15   |       | 20.8 |       | 11         |
| 17.5 |       | 13.5 |       | 19.3 |       | 10         |
| 16   | ±0.2  | 12   | ±0.2  | 17.8 | ±0.2  | 9          |
| 14.5 |       | 10.5 |       | 16.3 |       | 8          |
| 13   |       | 9    |       | 14.8 |       | 7          |
| 11.5 |       | 7.5  |       | 13.3 |       | 6          |
| 10   | ±0.2  | 6    | ±0.2  | 11.8 | ±0.2  | 5          |
| 8.5  |       | 4.5  |       | 10.3 |       | 4          |
| 7    |       | 3    |       | 8.8  |       | 3          |
| 5.5  |       | 1.5  |       | 7.3  |       | 2          |
| C    |       |      | B     |      | A     |            |
|      |       |      |       |      |       | 極数 CKT.NO. |

| 番号 NO. | 部品 PART        | 材質 MATERIAL  |  |
|--------|----------------|--|--|
| ①      | ハウジング HOUSING  | ポリアミド(PA) UL94V-0 色 : SEE CHART<br>POLYAMIDE(PA) UL94V-0 COLOR : SEE CHART |  |
| ②      | ターミナル TERMINAL | 銅合金<br>COPPER ALLOY  |  |
|        |                | コンタクト部 CONTACT AREA  | 金めつき : 製品一覧参照<br>GOLD PLATING : SEE PRODUCT LIST                         |
|        |                | テール部 TAIL AREA   | 無光沢錫めつき : 1.0 micro-meter MIN<br>MATTE TIN PLATING : 1.0 micro-meter MIN |
| ③      | ネイル NAIL       | 黄銅<br>BRASS  |  |
|        |                | 無光沢錫めつき : 1.0 micro-meter MIN<br>MATTE TIN PLATING                         |  |
|        |                | ニッケルめつき(下地) : 1.0 micro-meter MIN<br>NICKEL PLATING (UNDER PLATING)        |  |

THIS DRAWING CONTAINS INFORMATION THAT IS PROPRIETARY TO MOLEX ELECTRONIC TECHNOLOGIES, LLC AND SHOULD NOT BE USED WITHOUT WRITTEN PERMISSION

DIMENSION UNITS: mm | SCALE: NTS

GENERAL TOLERANCES (UNLESS SPECIFIED):  
 ANGULAR TOL ± 3.0 °  
 4 PLACES ± 0.2  
 3 PLACES ± 0.2  
 2 PLACES ± 0.2  
 1 PLACE ± 0.2  
 0 PLACES ± 0.2

DRAFT WHERE APPLICABLE MUST REMAIN WITHIN DIMENSIONS

THIRD ANGLE PROJECTION

DRAWING: A3-SIZE | SERIES: 213226

CURRENT REV DESC:  
 EC NO: 742719 | DRWN: MIKEDA01 | 2023/06/23  
 CHK'D: SAKIYAMA | 2023/06/23  
 APPR: AIDA | 2023/06/23

INITIAL REVISION:  
 DRWN: MIKEDA01 | 2019/10/01  
 APPR: KOMURAKAMI | 2019/11/20

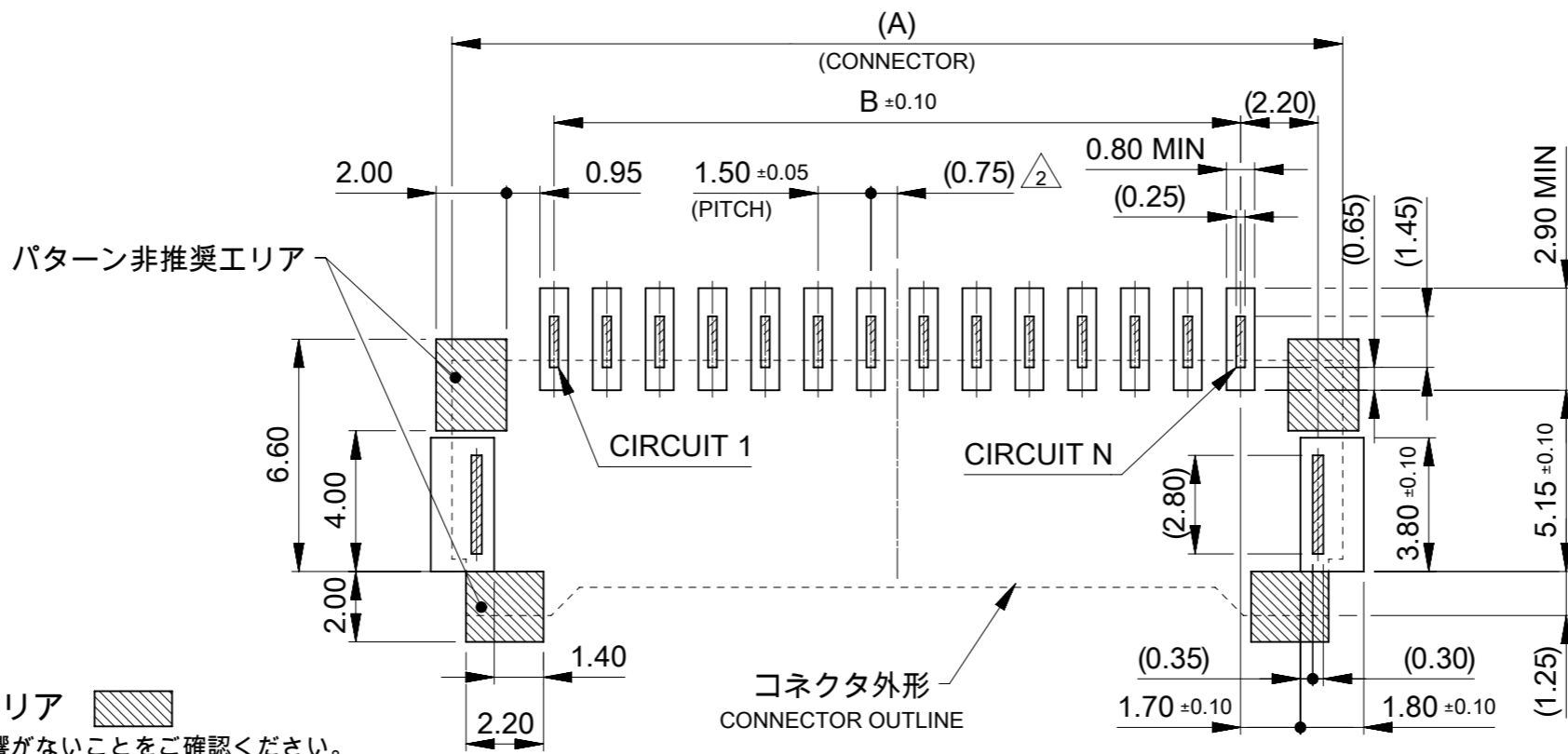
DOCUMENT NUMBER: 2132260000-SD | DOC TYPE: PSD | DOC PART: 000 | REVISION: E

**molex**  
 CLIK-MATE 1.5  
 SINGLE ROW SMT R/A TYPE REC ASSY GOLD PLATING

PRODUCT CUSTOMER DRAWING

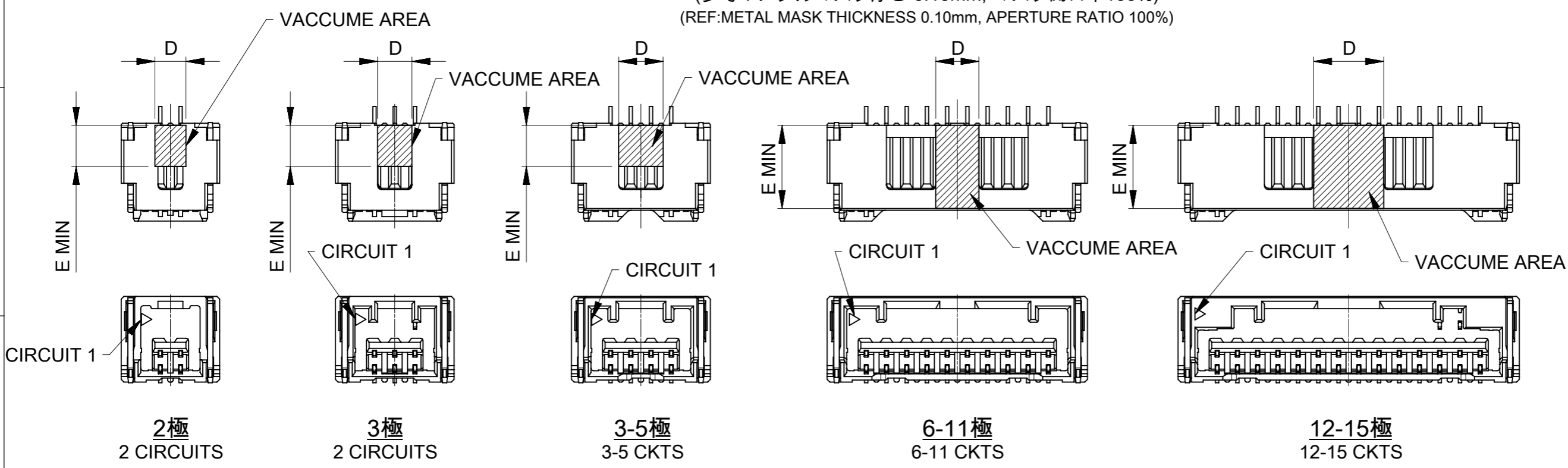
MATERIAL NUMBER: GENERAL | CUSTOMER: GENERAL

SHEET NUMBER: 1 OF 5



**パターン非推奨エリア**  
 パターンを引き回す際は、製品機能に影響がないことをご確認ください。  
 PATTERN IS NOT RECCOMENDED ON THE HATCHED AREA.  
 PLEASE CHECK NOT TO HAVE PROBLEM FOR PRODUCT FUNCTION  
 WHEN SETTING PATTERN ON THE HATCHED AREA.

**基板パターンレイアウト(参考)**  
 RECCOMENDED PCB PATTERN LAYOUT (REF.)  
 (参考：メタルマスク厚さ 0.10mm, マスク開口率100%)  
 (REF:METAL MASK THICKNESS 0.10mm, APERTURE RATIO 100%)



**ロック形状および吸着エリア**  
 LOCK SHAPE AND VACCUME AREA

|     |      |         |
|-----|------|---------|
| 6   | 5.2  | 15      |
|     |      | 14      |
|     |      | 13      |
|     |      | 12      |
|     |      | 11      |
| 2.9 | 3.2  | 10      |
|     |      | 9       |
|     | 2.5  | 8       |
|     |      | 7       |
|     |      | 6       |
| 2.3 | 3.6  | 5       |
|     |      | 4       |
|     | 2.55 | 3       |
|     |      | 2.3     |
| E   | D    | CKT NO. |

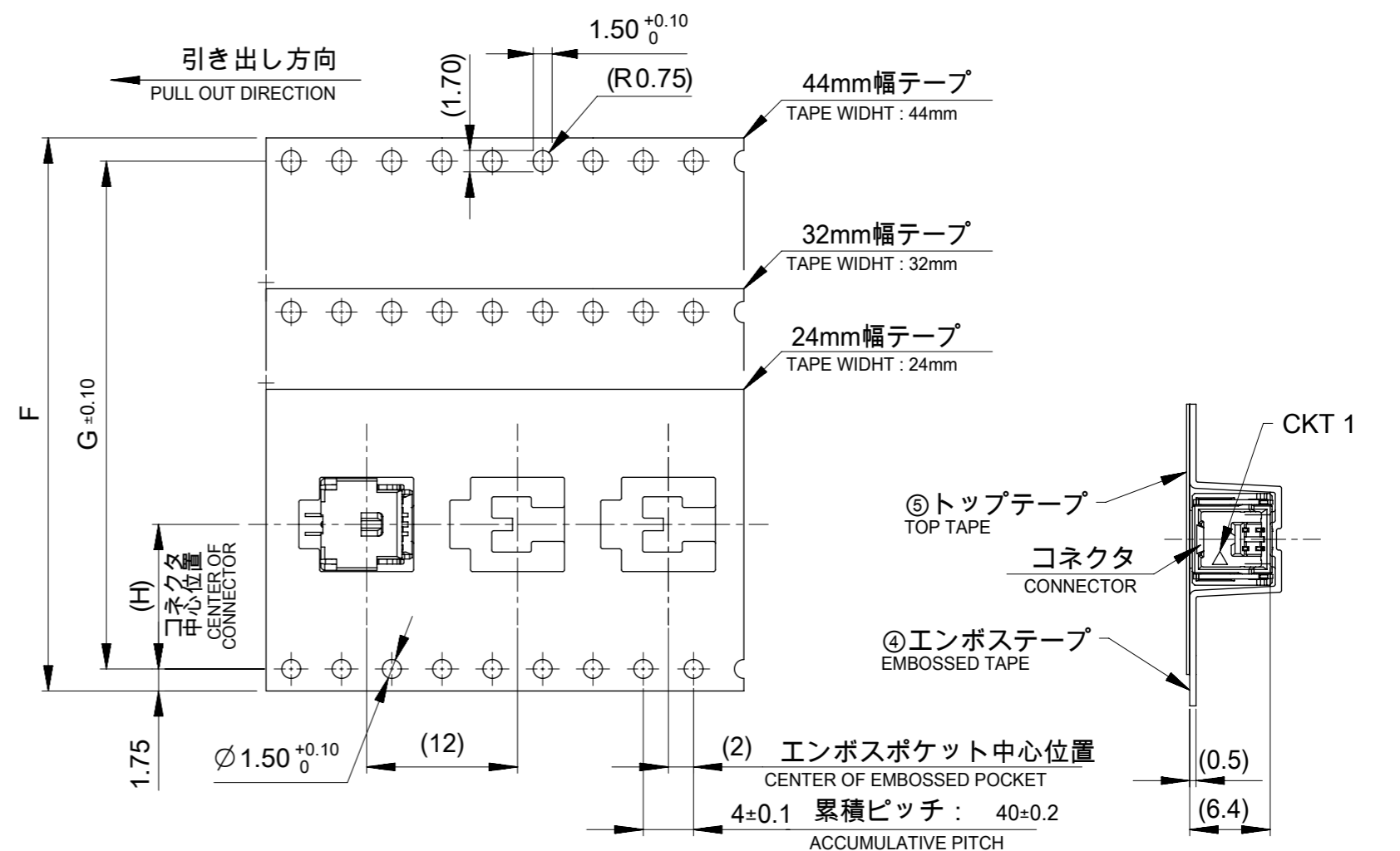
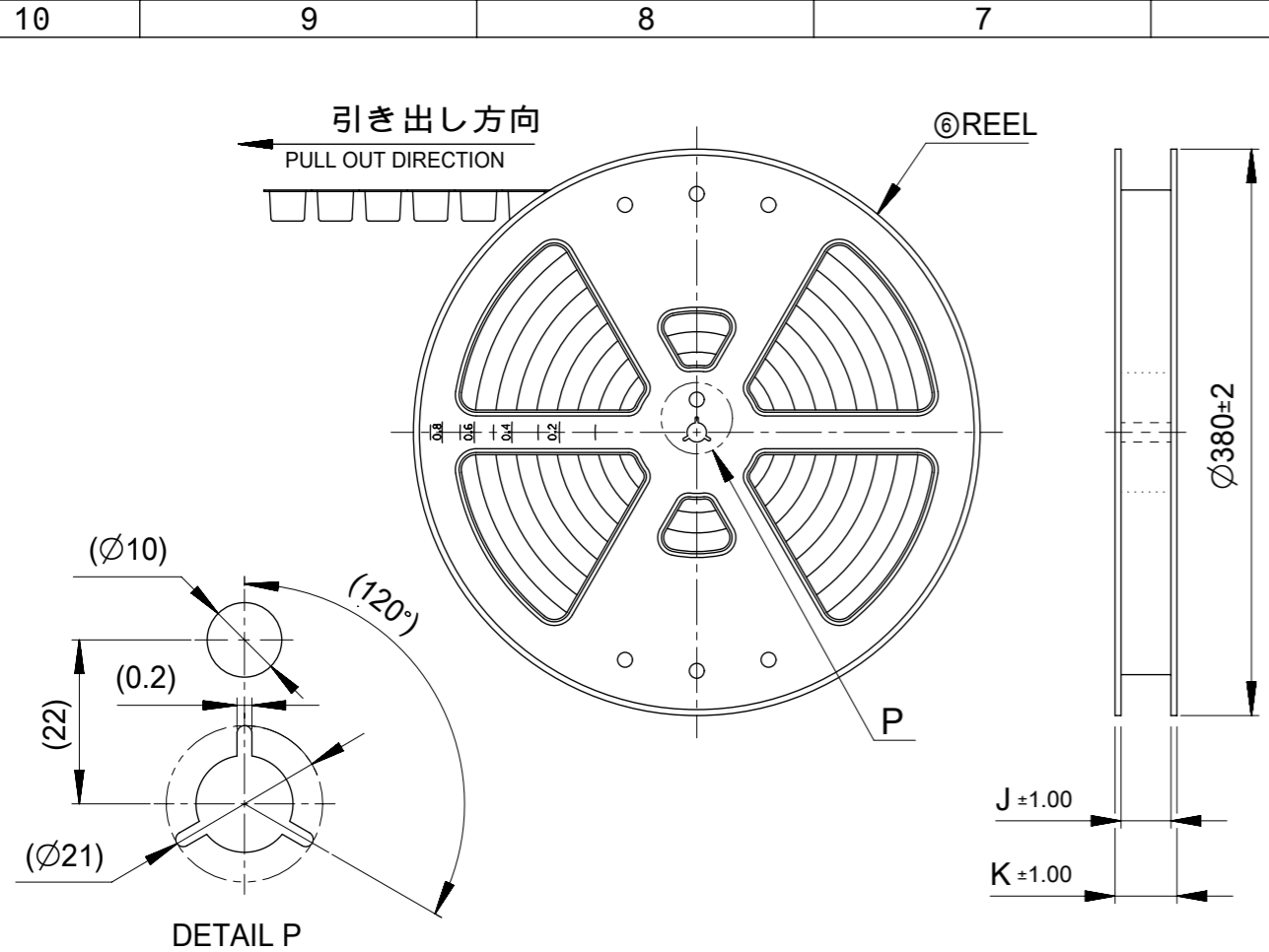
THIS DRAWING CONTAINS INFORMATION THAT IS PROPRIETARY TO MOLEX ELECTRONIC TECHNOLOGIES, LLC AND SHOULD NOT BE USED WITHOUT WRITTEN PERMISSION

|  |         |                   |            |
|--|---------|-------------------|------------|
| DIMENSION UNITS                                      | SCALE   | CURRENT REV DESC: |            |
| mm   | NTS     |                   |            |
| GENERAL TOLERANCES (UNLESS SPECIFIED)                |         |                   |            |
| ANGULAR TOL  | ± 3.0 ° |                   |            |
| 4 PLACES   | ± 0.2   | EC NO: 742719     |            |
| 3 PLACES   | ± 0.2   | DRWN: MIKEDA01    | 2023/06/23 |
| 2 PLACES   | ± 0.2   | CHK'D: SAKIYAMA   | 2023/06/23 |
| 1 PLACE  | ± 0.2   | APPR: AIDA        | 2023/06/23 |
| 0 PLACES   | ± 0.2   | INITIAL REVISION: |            |
| DRAFT WHERE APPLICABLE MUST REMAIN WITHIN DIMENSIONS |         | DRWN: MIKEDA01    | 2019/10/01 |
| THIRD ANGLE PROJECTION                               |         | APPR: KOMURAKAMI  | 2019/11/20 |
| DRAWING  | SERIES  | MATERIAL NUMBER   | CUSTOMER   |
| A3-SIZE  | 213226  | 2132260000-SD     | GENERAL    |

**molex**  
 CLIK-MATE 1.5  
 SINGLE ROW SMT R/A TYPE REC ASSY GOLD PLATING

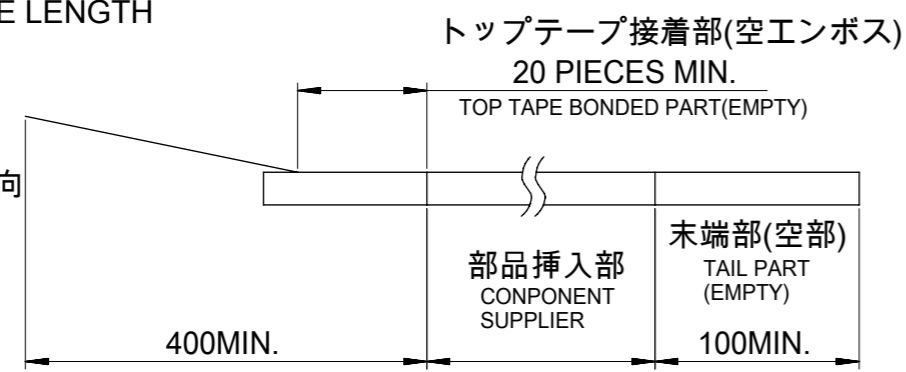
PRODUCT CUSTOMER DRAWING

|                 |          |          |          |
|-----------------|----------|----------|----------|
| DOCUMENT NUMBER | DOC TYPE | DOC PART | REVISION |
| 2132260000-SD   | PSD      | 000      | E        |
| SHEET NUMBER    |          | 2 OF 5   |          |



**NOTES**

- 5. 梱包数量 : 1,000個/リール  
NUMBER OF CONNECTORS: 1,000 PIECES/REEL
- 6. リードテープ長さ  
LEAD TAPE LENGTH
- 7. トップテープの剥離強度はJIS C0806-3に準拠  
TOP TAPE PEELING FORCE IS DIFINED BY JIS C0806-3.
- 8. 本製品は乾燥剤入り、ハイバリア梱包による納入である  
THIS PRODUCT IS DELIVERED IN A HIGH-BARRIER PACKAGE WITH DESICCANT



|      |      |      |      |                                    |                |
|------|------|------|------|------------------------------------|----------------|
| 49.4 | 45.4 | 20.2 | 40.4 | 44±0.3                             | 15             |
|      |      |      |      |                                    | 14             |
|      |      |      |      |                                    | 13             |
|      |      |      |      |                                    | 12             |
|      |      |      |      |                                    | 11             |
|      |      |      |      |                                    | 10             |
| 37.4 | 33.4 | 14.2 | 28.4 | 32±0.3                             | 9              |
|      |      |      |      |                                    | 8              |
|      |      |      |      |                                    | 7              |
|      |      |      |      |                                    | 6              |
| 29.4 | 25.4 | 11.5 | -    | 24 <sup>+0.3</sup> <sub>-0.1</sub> | 5              |
|      |      |      |      |                                    | 4              |
|      |      |      |      |                                    | 3              |
|      |      |      |      |                                    | 2              |
| K    | J    | H    | G    | エンボステープ幅F<br>WIDTH OF TAPE         | 極数<br>CKT. NO. |

| 番号<br>No. | 部品<br>PART                | 材質<br>MATERIAL   |
|-----------|---------------------------|--|
| ④         | エンボステープ<br>EMBOSSSED TAPE | ポリスチレン(PS)<br>POLYSTYLENE  |
| ⑤         | トップテープ<br>TOP TAPE        | ポリエチレン、ポリエチレンテレフタレート<br>POLYETHYLENE (PE), POLYETHYLENE TELEPHTHALATE(PET) |
| ⑥         | リール<br>REEL               | ポリスチレン (リサイクル材を含む)<br>POLYSTYLENE (CONTAINED RECYCLED MATERIAL)            |

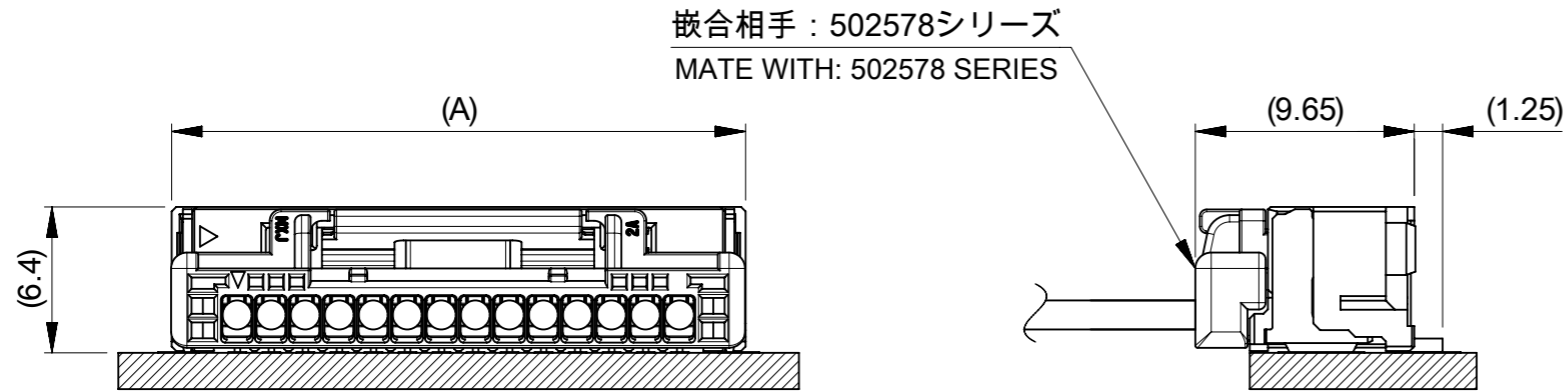
THIS DRAWING CONTAINS INFORMATION THAT IS PROPRIETARY TO MOLEX ELECTRONIC TECHNOLOGIES, LLC AND SHOULD NOT BE USED WITHOUT WRITTEN PERMISSION

|  |                |                   |            |   |  |  |
|--|----------------|-------------------|------------|---|--|--|
| DIMENSION UNITS<br>mm                                | SCALE<br>NTS   | CURRENT REV DESC: |            | <b>molex</b>                                  |  |  |
| GENERAL TOLERANCES (UNLESS SPECIFIED)                |                | EC NO: 742719     |            |   |  |  |
| ANGULAR TOL ± 3.0°                                   | 4 PLACES ± 0.2 | DRWN: MIKEDA01    | 2023/06/23 | SINGLE ROW SMT R/A TYPE REC ASSY GOLD PLATING |  |  |
| 3 PLACES ± 0.2                                       | 2 PLACES ± 0.2 | CHK'D: SAKIYAMA   | 2023/06/23 | PRODUCT CUSTOMER DRAWING                      |  |  |
| 1 PLACE ± 0.2  | 0 PLACES ± 0.2 | APPR: AIDA        | 2023/06/23 | DOCUMENT NUMBER                               |  |  |
| DRAFT WHERE APPLICABLE MUST REMAIN WITHIN DIMENSIONS |                | INITIAL REVISION: |            | DOC TYPE                                      |  |  |
| THIRD ANGLE PROJECTION                               |                | DRWN: MIKEDA01    | 2019/10/01 | DOC PART                                      |  |  |
| DRAWING  |                | APPR: KOMURAKAMI  | 2019/11/20 | REVISION                                      |  |  |
| SERIES   |                | MATERIAL NUMBER   |            | SHEET NUMBER                                  |  |  |
| A3-SIZE  |                | 213226            |            | 2132260000-SD                                 |  |  |
| CUSTOMER   |                | GENERAL           |            | 3 OF 5  |  |  |

△ 3 適用製品及び各種仕様書  
 APPLICABLE PRODUCTS AND VARIOUS SPECIFICATIONS

|                                  |             |                 |
|----------------------------------|-------------|-----------------|
| 梱包仕様書<br>PACKAGING SPECIFICATION | PART NUMBER | DOCUMENT NUMBER |
|                                  | 213226 **** | 2132269200-SPK  |

|  |  |                         |             |             |
|--|--|-------------------------|-------------|-------------|
| 適用嵌合相手<br>MATE WITH                      | HOUSING<br><br>502578 ****                   | TERMINAL (GOLD PLATING) |             |             |
| 製品番号<br>PRODUCT NUMBER                   |  | PLATING THK             | #24-28      | #28-30      |
|  |  | 0.1 micro-meters        | 213028 1*00 | 213029 1*00 |
|  | 0.38 micro-meters                            | 213028 3*00             | 213029 3*00 |             |
| 製品仕様書<br>PRODUCT SPECIFICATION           | 5025780004-PS                                |                         |             |             |
| アプリケーション仕様書<br>APPLICATION SPECIFICATION | AS-502578-00* (*: 1...JAPANESE, 2...ENGLISH) |                         |             |             |



嵌合相手 : 502578シリーズ  
 MATE WITH: 502578 SERIES

嵌合図  
 MATED CONNECTORS

|   |                             |                           |        |                          |  |        |  |  |                 |
|---|-----------------------------|---------------------------|--------|--------------------------|--|--------|--|--|-----------------|
| THIS DRAWING CONTAINS INFORMATION THAT IS PROPRIETARY TO MOLEX ELECTRONIC TECHNOLOGIES, LLC AND SHOULD NOT BE USED WITHOUT WRITTEN PERMISSION |                             |                           |        |                          |  |        |  |  |                 |
| DIMENSION UNITS   | SCALE                       | CURRENT REV DESC:         |        |                          | <b>molex</b>   |        |  |  |                 |
| mm  | NTS                         |                           |        |                          |  |        |  |  |                 |
| GENERAL TOLERANCES (UNLESS SPECIFIED)   |                             | EC NO: 742719             |        |                          | CLIK-MATE 1.5<br>SINGLE ROW SMT R/A TYPE REC ASSY GOLD PLATING |        |  |  |                 |
| ANGULAR TOL ± 3.0 °   |                             | DRWN: MIKEDA01 2023/06/23 |        |                          |  |        |  |  |                 |
| 4 PLACES ± 0.2  | CHK'D: SAKIYAMA 2023/06/23  |                           |        | PRODUCT CUSTOMER DRAWING |  |        |  |  |                 |
| 3 PLACES ± 0.2  | APPR: AIDA 2023/06/23       |                           |        |                          |  |        |  |  |                 |
| 2 PLACES ± 0.2  | INITIAL REVISION:           |                           |        | DOCUMENT NUMBER          |  |        |  |  |                 |
| 1 PLACE ± 0.2   | DRWN: MIKEDA01 2019/10/01   |                           |        |                          |  |        |  |  | 2132260000-SD   |
| 0 PLACES ± 0.2  | APPR: KOMURAKAMI 2019/11/20 |                           |        | PSD 000 E                |  |        |  |  |                 |
| DRAFT WHERE APPLICABLE MUST REMAIN WITHIN DIMENSIONS  | THIRD ANGLE PROJECTION      | DRAWING                   | SERIES |                          |  |        |  |  | MATERIAL NUMBER |
|   |                             | A3-SIZE                   | 213226 |                          | GENERAL  | 4 OF 5 |  |  |                 |

4 製品一覧  
PRODUCTS LIST

| 黒 BLACK         | ナチュラル NATURAL | HOUSING COLOR |   |
|-----------------|---------------|---------------|---|
| 213226 1511     | 213226 1510   | 15            | 213226 **1*<br>(GOLD PLATING<br>THICKNESS: 0.1<br>micro-meters MIN) |
| 213226 1411     | 213226 1410   | 14            |   |
| 213226 1311     | 213226 1310   | 13            |   |
| 213226 1211     | 213226 1210   | 12            |   |
| 213226 1111     | 213226 1110   | 11            |   |
| 213226 1011     | 213226 1010   | 10            |   |
| 213226 0911     | 213226 0910   | 9             |   |
| 213226 0811     | 213226 0810   | 8             |   |
| 213226 0711     | 213226 0710   | 7             |   |
| 213226 0611     | 213226 0610   | 6             |   |
| 213226 0511     | 213226 0510   | 5             |   |
| 213226 0411     | 213226 0410   | 4             |   |
| 213226 0311     | 213226 0310   | 3             |   |
| 213226 0211     | 213226 0210   | 2             |   |
| オーダー番号 ORDER No |               | 極数<br>CKT     |   |

| 黒 BLACK         | ナチュラル NATURAL | HOUSING COLOR |  |
|-----------------|---------------|---------------|--|
| 213226 1531     | 213226 1530   | 15            | 213226 **3*<br>(GOLD PLATING<br>THICKNESS: 0.38<br>micro-meters MIN) |
| 213226 1431     | 213226 1430   | 14            |  |
| 213226 1331     | 213226 1330   | 13            |  |
| 213226 1231     | 213226 1230   | 12            |  |
| 213226 1131     | 213226 1130   | 11            |  |
| 213226 1031     | 213226 1030   | 10            |  |
| 213226 0931     | 213226 0930   | 9             |  |
| 213226 0831     | 213226 0830   | 8             |  |
| 213226 0731     | 213226 0730   | 7             |  |
| 213226 0631     | 213226 0630   | 6             |  |
| 213226 0531     | 213226 0530   | 5             |  |
| 213226 0431     | 213226 0430   | 4             |  |
| 213226 0331     | 213226 0330   | 3             |  |
| 213226 0231     | 213226 0230   | 2             |  |
| オーダー番号 ORDER No |               | 極数<br>CKT     |  |

| 黒 BLACK         | ナチュラル NATURAL | HOUSING COLOR |  |
|-----------------|---------------|---------------|--|
| 213226 1571     | 213226 1570   | 15            | 213226 **7*<br>(GOLD PLATING<br>THICKNESS: 0.76<br>micro-meters MIN) |
| 213226 1471     | 213226 1470   | 14            |  |
| 213226 1371     | 213226 1370   | 13            |  |
| 213226 1271     | 213226 1270   | 12            |  |
| 213226 1171     | 213226 1170   | 11            |  |
| 213226 1071     | 213226 1070   | 10            |  |
| 213226 0971     | 213226 0970   | 9             |  |
| 213226 0871     | 213226 0870   | 8             |  |
| 213226 0771     | 213226 0770   | 7             |  |
| 213226 0671     | 213226 0670   | 6             |  |
| 213226 0571     | 213226 0570   | 5             |  |
| 213226 0471     | 213226 0470   | 4             |  |
| 213226 0371     | 213226 0370   | 3             |  |
| 213226 0271     | 213226 0270   | 2             |  |
| オーダー番号 ORDER No |               | 極数<br>CKT     |  |

|   |  |       |  |  |  |         |  |   |  |          |          |              |
|---|--|-------|--|--|--|---------|--|---|--|----------|----------|--------------|
| THIS DRAWING CONTAINS INFORMATION THAT IS PROPRIETARY TO MOLEX ELECTRONIC TECHNOLOGIES, LLC AND SHOULD NOT BE USED WITHOUT WRITTEN PERMISSION |  |       |  |  |  |         |  |   |  |          |          |              |
| DIMENSION UNITS   |  | SCALE |  | CURRENT REV DESC:  |  |         |  | <b>molex</b>                                  |  |          |          |              |
| mm  |  | NTS   |  |  |  |         |  |   |  |          |          |              |
| GENERAL TOLERANCES (UNLESS SPECIFIED)   |  |       |  | EC NO: 742719<br>DRWN: MIKEDA01 2023/06/23<br>CHK'D: SAKIYAMA 2023/06/23<br>APPR: AIDA 2023/06/23<br>INITIAL REVISION:<br>DRWN: MIKEDA01 2019/10/01<br>APPR: KOMURAKAMI 2019/11/20 |  |         |  | SINGLE ROW SMT R/A TYPE REC ASSY GOLD PLATING |  |          |          |              |
| ANGULAR TOL ± 3.0 °   |  |       |  |  |  |         |  | PRODUCT CUSTOMER DRAWING                      |  |          |          |              |
| 4 PLACES ± 0.2  |  |       |  |  |  |         |  | DOCUMENT NUMBER                               |  | DOC TYPE | DOC PART | REVISION     |
| 3 PLACES ± 0.2  |  |       |  |  |  |         |  | 2132260000-SD                                 |  | PSD      | 000      | E            |
| 2 PLACES ± 0.2  |  |       |  |  |  |         |  | MATERIAL NUMBER                               |  | CUSTOMER |          | SHEET NUMBER |
| 1 PLACE ± 0.2   |  |       |  | A3-SIZE  |  | GENERAL |  | 5 OF 5  |  |          |          |              |
| 0 PLACES ± 0.2  |  |       |  | SERIES   |  |         |  |   |  |          |          |              |
| DRAFT WHERE APPLICABLE MUST REMAIN WITHIN DIMENSIONS  |  |       |  | THIRD ANGLE PROJECTION   |  |         |  |   |  |          |          |              |