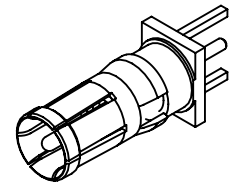
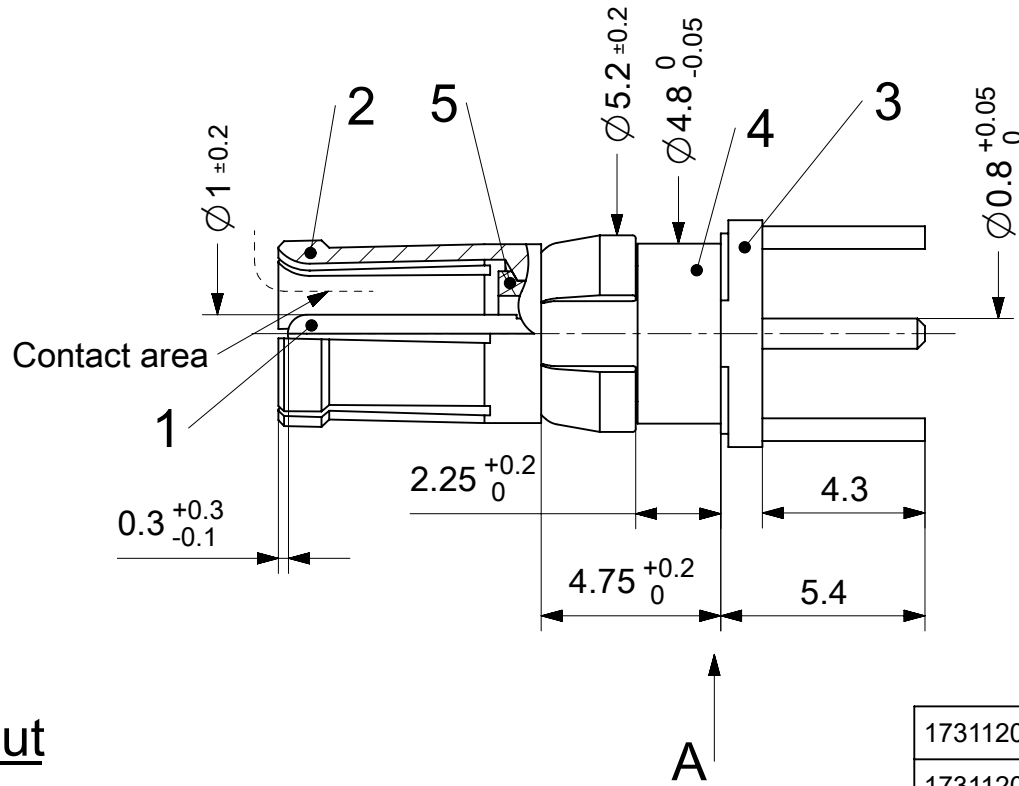
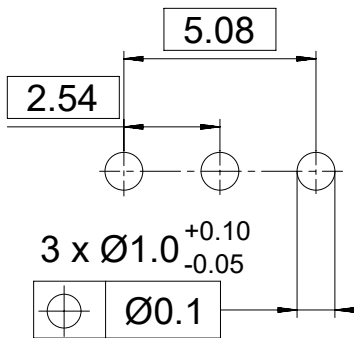


PCB-Layout



2:1

RoHS compliant
by exemption

| | | |
|-----------------|-----------------|--------------------------------------|
| 1731120821 | FME005S101 | 101 |
| 1731120189 | FME005S102 | 102 |
| 1731121071 | FME005S202 | 202 |
| Material Number | FCT Part Number | Material + Finish See extra sheet |

| | | | | | | | | | | |
|-----------------------------------------------------------------------------------------------------------------------------------------------|---------------------------------------|-------|------------------------------------------------------|------------------------------------------|------------------------|---------|--------|-----------------|----------------|--------------|
| UNLESS OTHERWISE SPECIFIED DIMENSIONS FOR REFERENCE ONLY | | | | REPLACEMENT FOR DOCUMENT NUMBER: FME005S | | | | | | |
| THIS DRAWING CONTAINS INFORMATION THAT IS PROPRIETARY TO MOLEX ELECTRONIC TECHNOLOGIES, LLC AND SHOULD NOT BE USED WITHOUT WRITTEN PERMISSION | | | | | | | | | | |
| FUNCTIONAL SYMBOLS | DIMENSION UNITS | SCALE | CURRENT REV DESC: | | | | | | | |
| $\frac{F}{A} = 0$ | mm | 5:1 | EC NO: 710158 | | | | | | | |
| $\frac{F}{E} = 0$ | GENERAL TOLERANCES (UNLESS SPECIFIED) | | DRWN: VLOKESHA 2021/04/15 | | | | | | | |
| $\frac{F}{P} = 0$ | ANGULAR TOL ± ° | | CHK'D: FVETTER 2022/06/13 | | | | | | | |
| DIVISIONAL SYMBOLS | 4 PLACES | ± | APPR: FVETTER 2022/06/13 | | | | | | | |
| | 3 PLACES | ± | INITIAL REVISION: | | | | | | | |
| | 2 PLACES | ± | DRWN: VLOKESHA 2021/04/15 | | | | | | | |
| | 1 PLACE | ± | APPR: FVETTER 2022/06/13 | | | | | | | |
| | 0 PLACES | ± | DRAFT WHERE APPLICABLE MUST REMAIN WITHIN DIMENSIONS | | FIRST ANGLE PROJECTION | DRAWING | SERIES | MATERIAL NUMBER | CUSTOMER | SHEET NUMBER |
| | | | | | | A4-SIZE | 173112 | SEE TABLE | GENERAL MARKET | 1 OF 1 |

molex

FCT 75 OHM COAXIAL CONTACT FOR D-SUB

PRODUCT CUSTOMER DRAWING

| | | | |
|-----------------|----------|----------|----------|
| DOCUMENT NUMBER | DOC TYPE | DOC PART | REVISION |
| 1731120821 | PSD | 000 | A |