

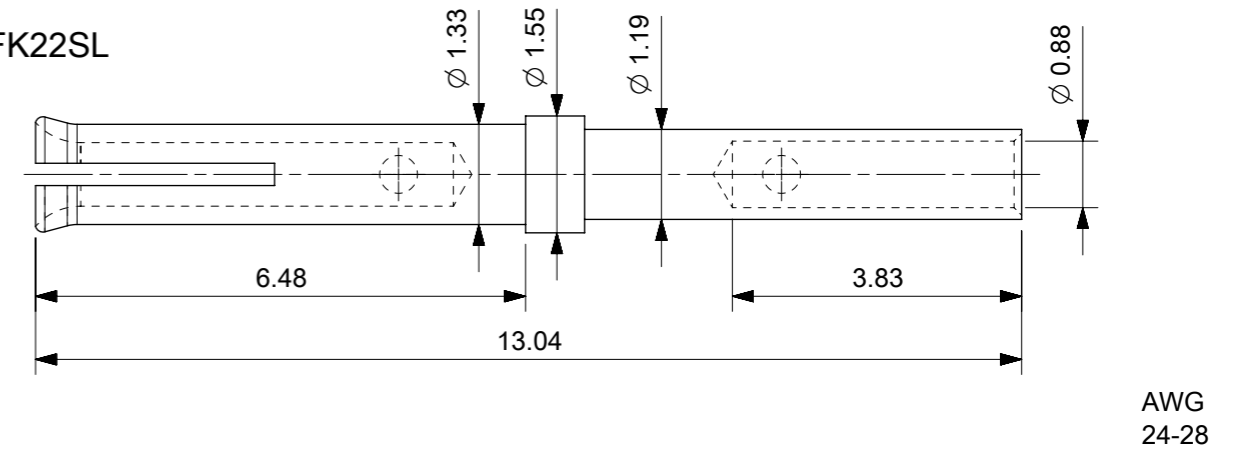
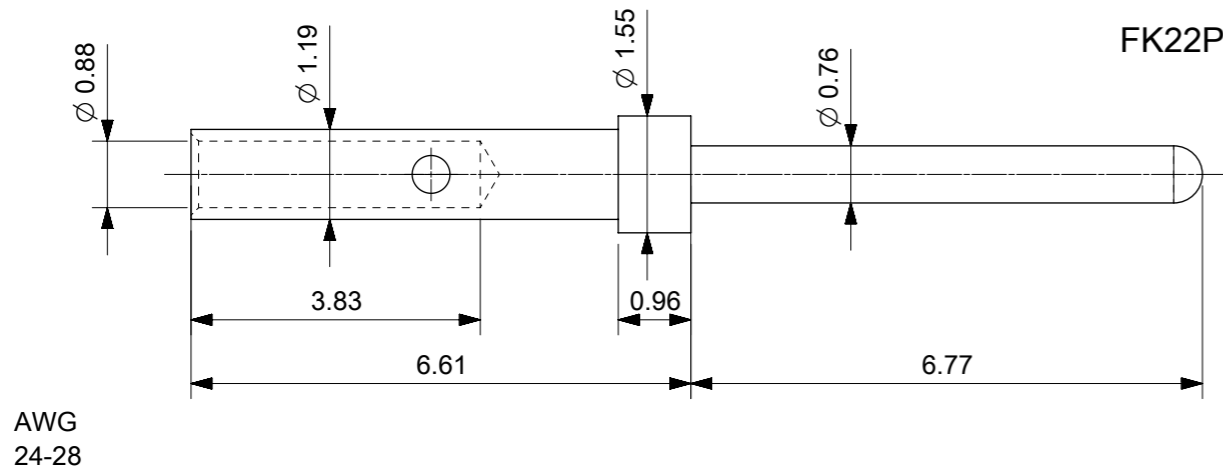
RoHS COMPLIANT BY EXEMPTION

PIN MATERIAL: BRASS

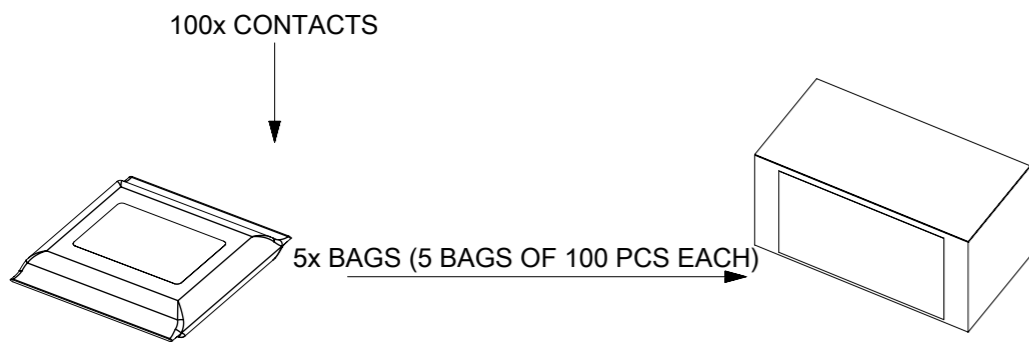
SOCKET MATERIAL: COPPER ALLOY

FK22P

FK22SL



PACKING UNIT



CRIMPING TOOLS SEE CATALOGUE

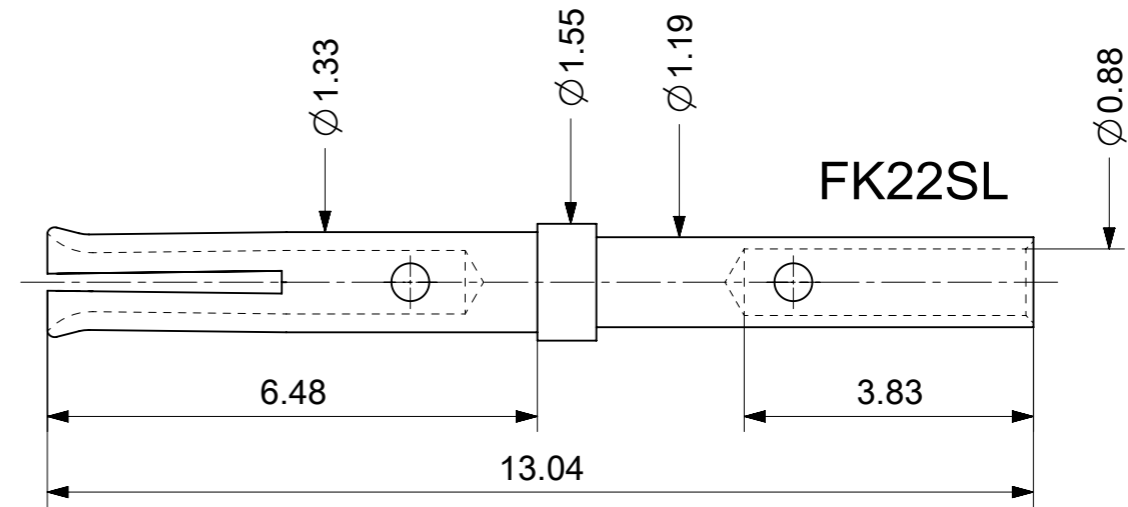
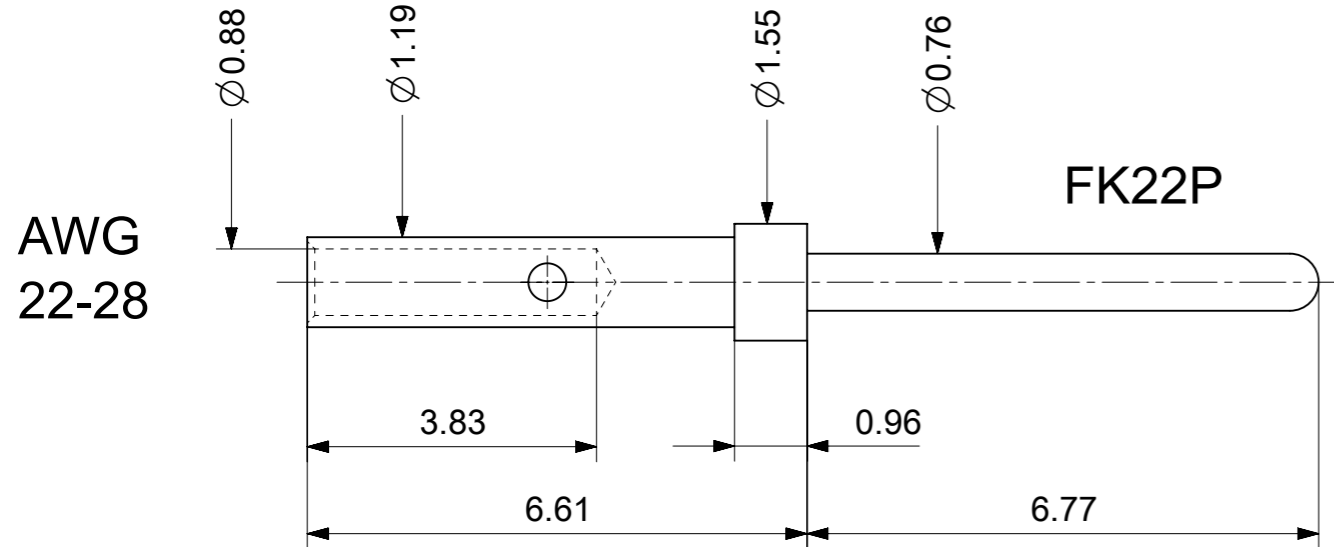
1731120228	FK22SL-13V-5783	1.3µm Au (OVER Ni)
1731120227	FK22SL-08V-5783	0.8µm Au (OVER Ni)
1731120226	FK22SL-02V-5783	0.2µm Au (OVER Ni)
1731120225	FK22P-13V-5783	1.3µm Au (OVER Ni)
1731120224	FK22P-08V-5783	0.8µm Au (OVER Ni)
1731120223	FK22P-02V-5783	0.2µm Au (OVER Ni)
MOLEX PART NO#	FCT PART#	SURFACE PLATING/COLOR/CLASS

QUALITY SYMBOLS		THIS DRAWING CONTAINS INFORMATION THAT IS PROPRIETARY TO MOLEX ELECTRONIC TECHNOLOGIES, LLC AND SHOULD NOT BE USED WITHOUT WRITTEN PERMISSION		DIMENSION UNITS		SCALE							
▽A	= 0	EC NO: 117803 DRWN: RLALSANGI CHK'D: ISHWARG APPR: ISHWARG	2017/04/27 2017/06/07 2017/06/07	MM		10:1						HPD HIGH DENSITY CRIMP CONTACT, MACHINED MALE PIN / FEMALE SOCKET	
▽E	= 0			GENERAL TOLERANCES (UNLESS SPECIFIED)		DRWN BY		DATE					
▽F	= 0			ANGULAR TOL ± °		CHK'D BY		DATE					
▽	= 0			4 PLACES ±		ISHWARG		2017/06/07					
▽C	= 0			3 PLACES ±		APPR BY		DATE					
▽	= 0			2 PLACES ±		ISHWARG		2017/06/07					
▽	= 0	1 PLACE ±		DRAWING SIZE		THIRD ANGLE PROJECTION		PRODUCT CUSTOMER DRAWING					
▽	= 0	0 PLACES ±		A3				SERIES		MATERIAL NUMBER		CUSTOMER	
▽	= 0	DRAFT WHERE APPLICABLE MUST REMAIN WITHIN DIMENSIONS		A				173112		SEE TABLE		GENERAL MARKET	
▽	= 0			REV				DOCUMENT NUMBER		DOC TYPE		DOC PART SHEET NUMBER	
				A				1731120223		PSD		000 1 OF 1	

AWG	Type	Surface	Mod.	FCT Part Number	Material Number	Type	Surface	Mod.	FCT Part Number	Material Number
AWG 22-28	FK22P-	02V	-5783	FK22P-02V-5783	1731120223	FK22SL-	02V	-5783	FK22SL-02V-5783	1731120226
			-6096	FK22P-02V-6096	1731120739			-6096	FK22SL-02V-6096	1731120743
			-6097	FK22P-02V-6097	1731120737			-6097	FK22SL-02V-6097	1731120744
		08V	-5783	FK22P-08V-5783	1731120224		-5783	FK22SL-08V-5783	1731120227	
			-6096	FK22P-08V-6096	1731120738		-6096	FK22SL-08V-6096	1731120745	
			-6097	FK22P-08V-6097	1731120740		-6097	FK22SL-08V-6097	1731120746	
		13V	-5783	FK22P-13V-5783	1731120225		-5783	FK22SL-13V-5783	1731120228	
			-6096	FK22P-13V-6096	1731120741		-6096	FK22SL-13V-6096	1731120747	
			-6097	FK22P-13V-6097	1731120742		-6097	FK22SL-13V-6097	1731121035	
						13V/CU (nonmagnetic)	-5783	FK22SL-13V/CU-5783	1731140246	

PIN Material: Brass

SOCKET Material: Copper alloy



FCT Part Number Example FK22SL-13V-5783

Crimp socket contact for wire size AWG 22-28.

Plating 1.3µm Au over Ni.

Packing see packaging specification.

Crimping Tools see catalogue.

Crimping Guideline see AM0650

Packaging specification: 1731120004-PK

RoHS compliant
by exemption

UNLESS OTHERWISE SPECIFIED DIMENSIONS FOR REFERENCE ONLY				REPLACEMENT FOR DOCUMENT NUMBER: FK22-XX			
FUNCTIONAL SYMBOLS		THIS DRAWING CONTAINS INFORMATION THAT IS PROPRIETARY TO MOLEX ELECTRONIC TECHNOLOGIES, LLC AND SHOULD NOT BE USED WITHOUT WRITTEN PERMISSION		<div style="text-align: center; font-size: 24pt; font-weight: bold;">molex</div> <p>FCT FK22 MACHINED CONTACTS FOR HD CRIMP CONNECTORS</p> <p>PRODUCT CUSTOMER DRAWING</p>			
DIMENSION UNITS		SCALE					
mm		10:1		CURRENT REV DESC: A24423			
GENERAL TOLERANCES (UNLESS SPECIFIED)		ANGULAR TOL		EC NO: 746342			
±		°		DRWN: FVETTER 2023/04/17			
DIVISIONAL SYMBOLS		INITIAL REVISION:		CHK'D: MTEUBEL 2023/04/17			
4 PLACES ±		DRWN: GOOLAM 2021/09/28		APPR: MTEUBEL 2023/04/17			
3 PLACES ±		APPR: MTEUBEL 2023/01/13		DOCUMENT NUMBER			
2 PLACES ±		DRAFT WHERE APPLICABLE MUST REMAIN WITHIN DIMENSIONS		1731120223			
1 PLACE ±		FIRST ANGLE PROJECTION		DOC TYPE			
0 PLACES ±		DRAWING		PSD			
SERIES		MATERIAL NUMBER		DOC PART			
A3-SIZE		SEE TABLE		001			
173112		CUSTOMER		REVISION			
GENERAL MARKET		SHEET NUMBER		B			
1 OF 1							