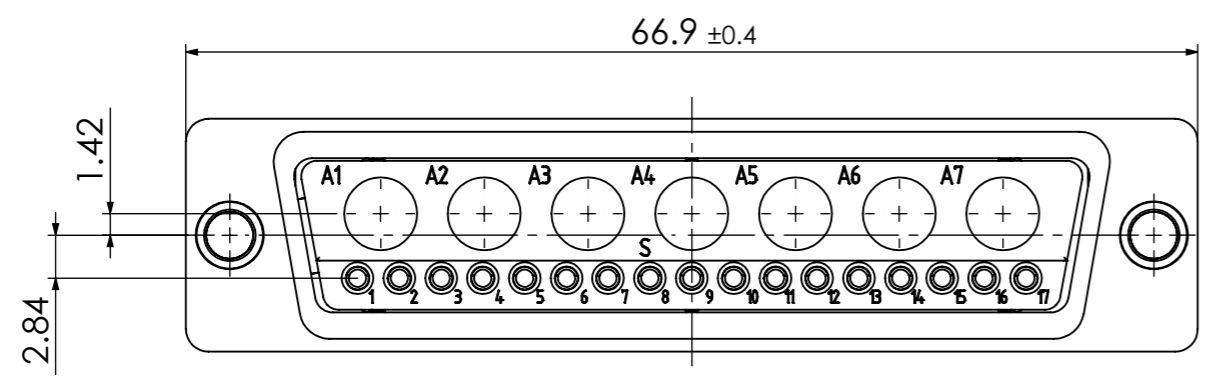
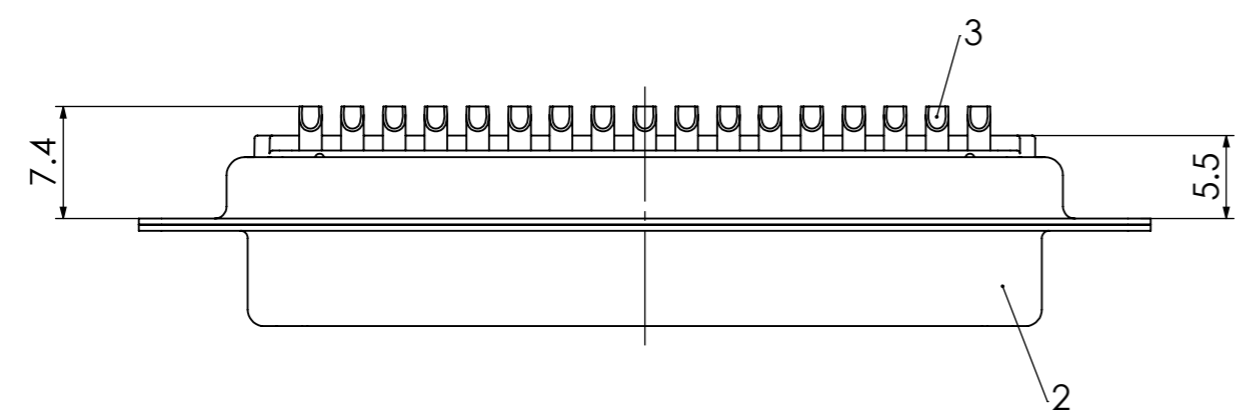
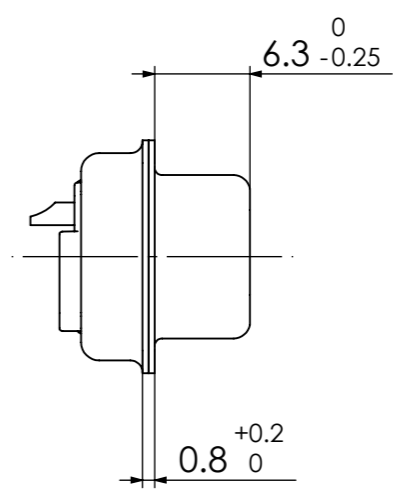
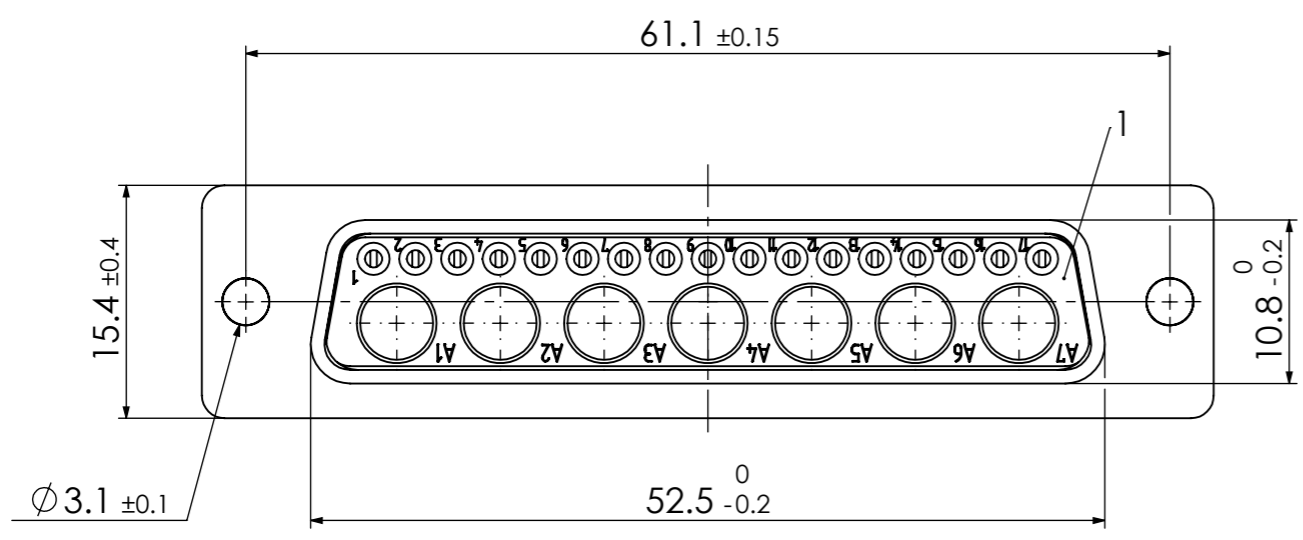


RoHS compliant  
by exemption



3	17	Signal contact	SO / Brass	0.8μm Au / AWG 20
2	1	Shell	Steel	tin plated
1	1	Insulator	PBT (-55°C to +130°C) acc. UL94V-0	green
No.	St.	Part	Type Description/Material	Surface plating/Colour/Class

FUNCTIONAL SYMBOLS ▽ = 0 ▽ = 0 ▽ = 0					THIS DRAWING CONTAINS INFORMATION THAT IS PROPRIETARY TO MOLEX ELECTRONIC TECHNOLOGIES, LLC AND SHOULD NOT BE USED WITHOUT WRITTEN PERMISSION				
DIMENSION UNITS		SCALE		MEASUREMENTS WITHOUT TOLERANCE ACC. TO					
mm		2:1		ISO 2768-m					
REV.		CH.-NO.		CURRENT REVISION			PRODUCT CUSTOMER DRAWING		
2		24130		DRWN: DRAWN BY yyakovlyeva 01-02-2019			MATERIAL NUMBER		
1				APPR: APPR BY MTeubel 04-02-2019			1731070070		
REVISION		CH.-NO.		INITIAL REVISION			DOCUMENT NUMBER		
1				DRWN: DRAWN BY Denzinger 02-02-2004			FM24W7S-K121		
2				APPR: APPR BY aschiekofer 02-02-2004			CUSTOMER		
REPLACEMENT FOR:		FIRST ANGLE PROJECTION		DRAWING			GENERAL MARKET		
				A3-SIZE			SHEET NUMBER		
							1 OF 1		

COMMENT: ALL RIGHTS ARE RESERVED BY US FOR THIS DRAWING. WITHOUT OUR PRIOR CONSENT, IT MAY NEITHER BE DUPLICATED NOR MADE AVAILABLE TO A THIRD PARTY. AND IT ALSO MAY NOT BE IMPROPERLY USED BY THE RECEIVER, OR A THIRD PARTY.