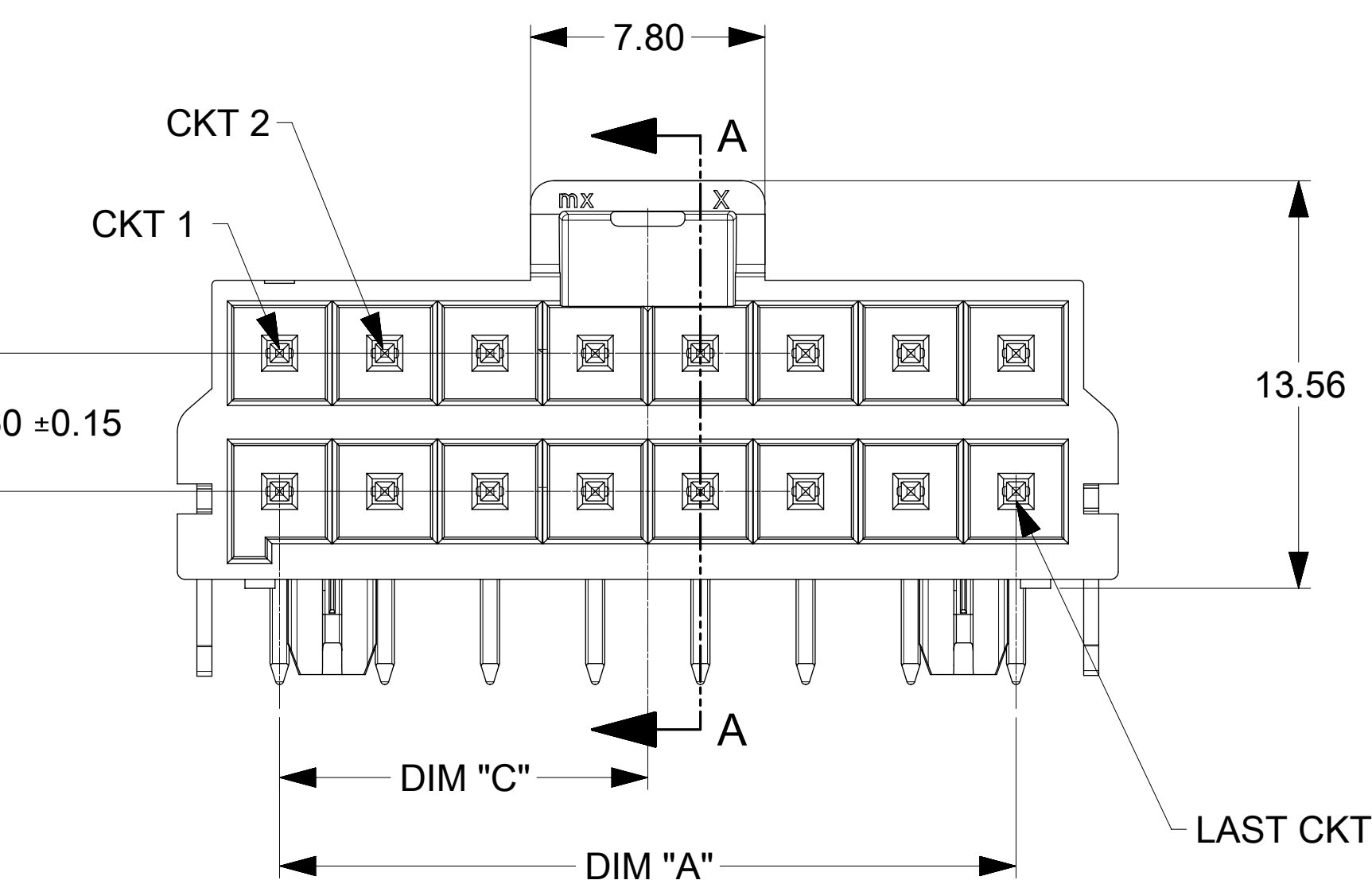
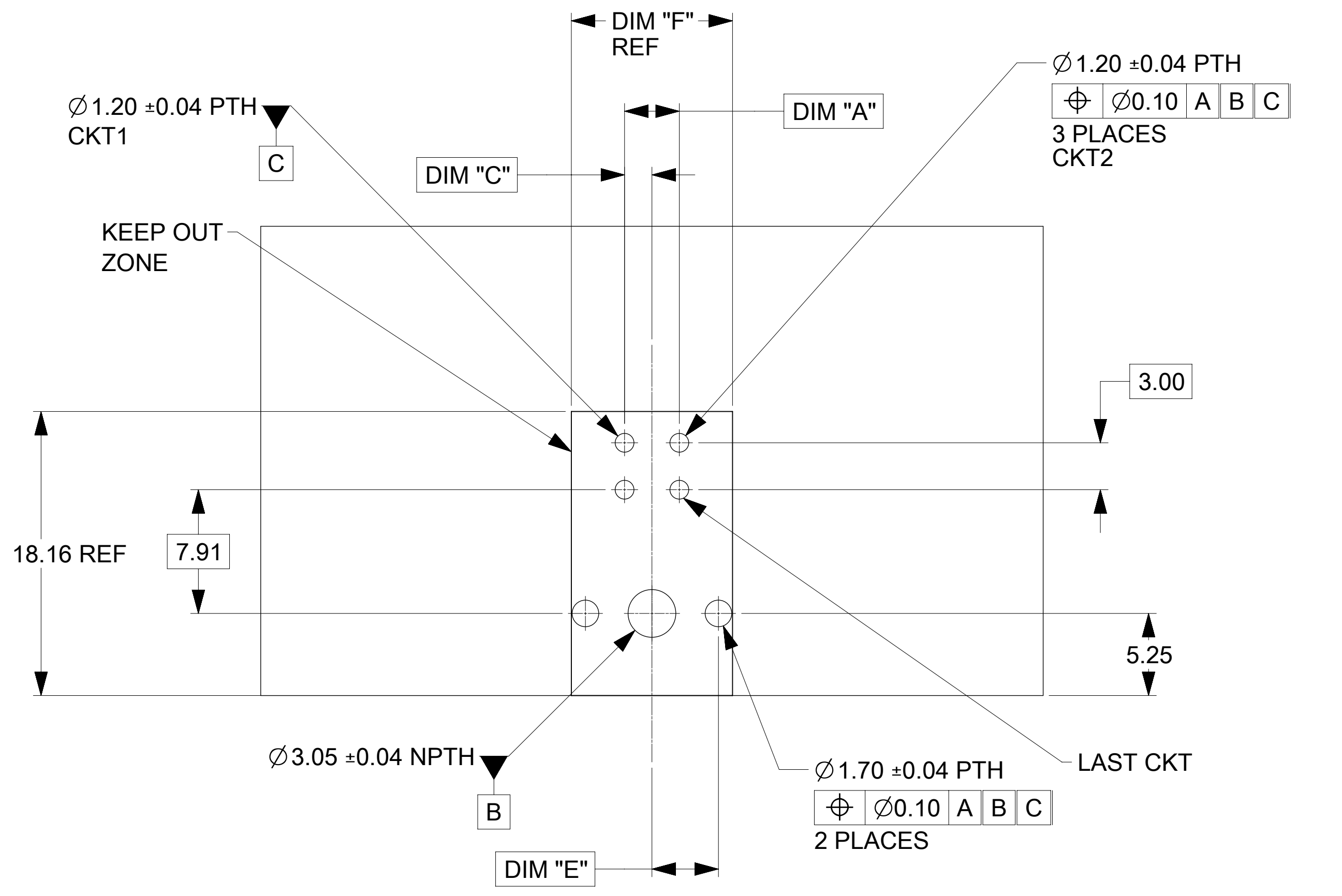


OPTION 1: LATCH FLUSH WITH PCB EDGE  
 OPTION 2: HOUSING BODY FLUSH WITH PCB EDGE

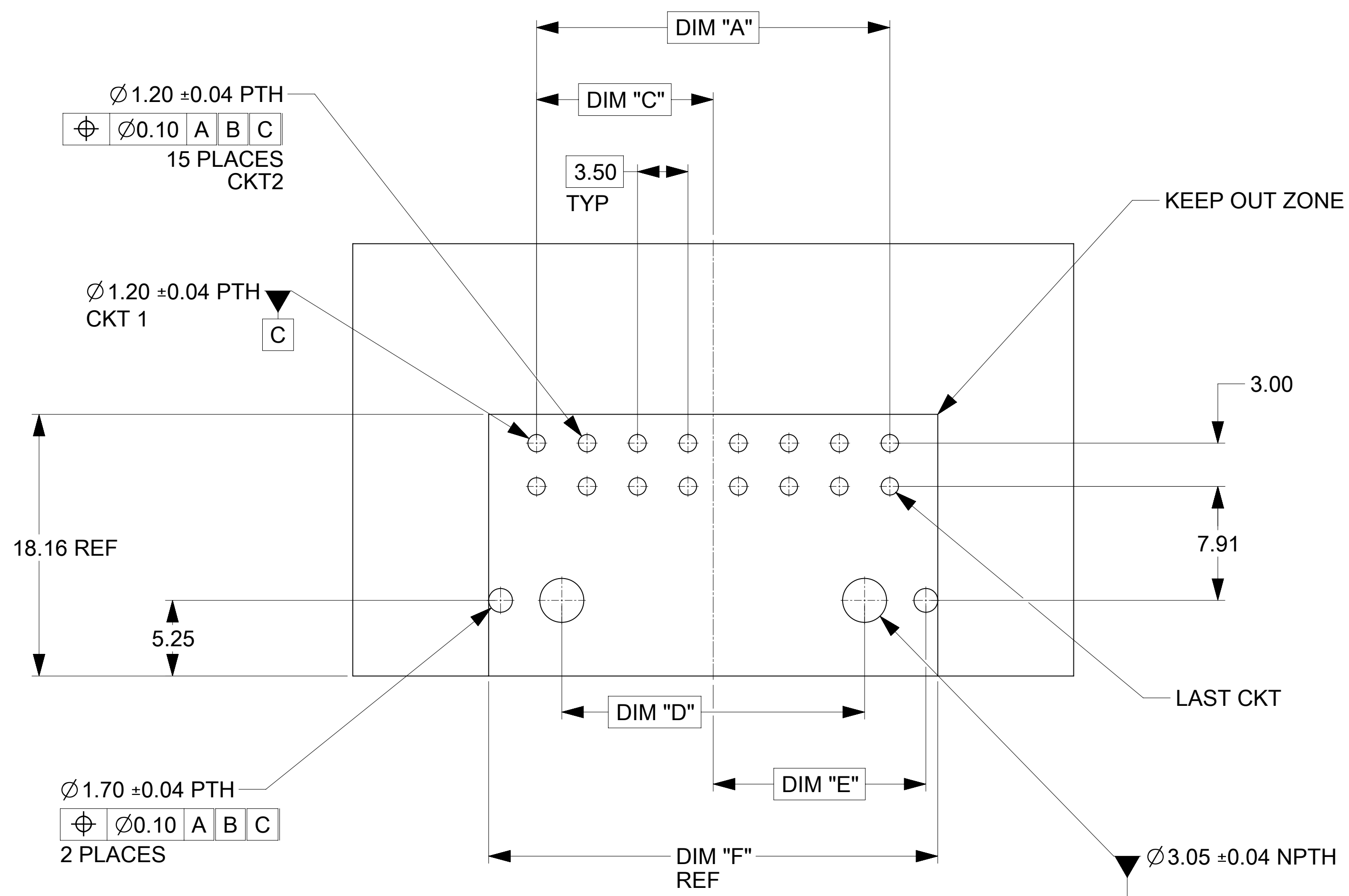


- NOTES:
- MATERIAL :  
 HOUSING:  
 OPTION 1: LCP BLACK, UL94V-0  
 OPTION 2: LCP NATURAL, UL94V-0  
 TERMINAL: COPPER ALLOY
  - PLATING FINISH:  
 OPTION 1 - 1.5µm(60µin)-2.5µm(100µin) REFLOW MATTE TIN OVER  
 1.25µm(50µin)-2.5µm(100µin) NICKEL OVERALL  
 OPTION 2 - 0.35µm(15µin) GOLD CONTACT AREA,  
 1.5µm(60µin)-2.5µm(100µin) MATTE TIN OVER  
 1.25µm(50µin)-2.5µm(100µin) NICKEL OVERALL  
 OPTION 3 - 0.70µm(30µin) GOLD CONTACT AREA,  
 1.5µm(60µin)-2.5µm(100µin) MATTE TIN OVER  
 1.25µm(50µin)-2.5µm(100µin) NICKEL OVERALL
  - PARTS TO BE PACKAGED PER 172316-1114-PK
  - PRODUCT SPECIFICATION PS-172323-0001
  - PART MATES WITH MOLEX RECEPTACLE HOUSING 172258 AND 172262
  - PART CONFORMS TO CLASS "C" REQUIREMENTS OF MOLEX COSMETIC SPECIFICATION.  
 PS-45499-002 WITH 0.13 MM MAXIMUM FLASH ALLOWED IN CORE HOLES AND FRONT SURFACE.
  - LASER MARK CODE IN A FORMAT DDD
  - PARTS ARE NOT DESIGNED FOR CURRENT SHARING.

SYMBOLS		THIS DRAWING CONTAINS INFORMATION THAT IS PROPRIETARY TO MOLEX ELECTRONIC TECHNOLOGIES, LLC AND SHOULD NOT BE USED WITHOUT WRITTEN PERMISSION		CURRENT REV DESC:	
▽ = 0	mm	SCALE	5:1		
▽ = 0	GENERAL TOLERANCES (UNLESS SPECIFIED)				
▽ = 0	ANGULAR TOL	±	°		
▽ = 0	4 PLACES	±			
▽ = 0	3 PLACES	±			
▽ = 0	2 PLACES	±	0.13		
▽ = 0	1 PLACE	±	0.25		
▽ = 0	0 PLACES	±			
■ = 0	DRAFT WHERE APPLICABLE MUST REMAIN WITHIN DIMENSIONS		THIRD ANGLE PROJECTION	DRAWING	SERIES
▽ = 0			⊕	D-SIZE	172316
EC NO: 762168		2023/09/06			
DRWN: LEOW		2024/02/20			
CHK'D: XQZHANG		2024/02/20		ULTRA-FIT DR R/A HEAD SN ASSY	
APPR: XQZHANG		2024/02/20		PRODUCT CUSTOMER DRAWING	
INITIAL REVISION:				DOCUMENT NUMBER	
DRWN: PPerez03		2016/02/22		1723162000	
APPR: RHODGE		2016/06/21		DOC TYPE DOC PART REVISION	
				PSD 000 E	
				MATERIAL NUMBER CUSTOMER SHEET NUMBER	
				1 OF 3	



PCB LAYOUT 4 CIRCUIT COMPONENT SIDE  
RECOMMENDED PCB THICKNESS 1.60MM-2.40MM



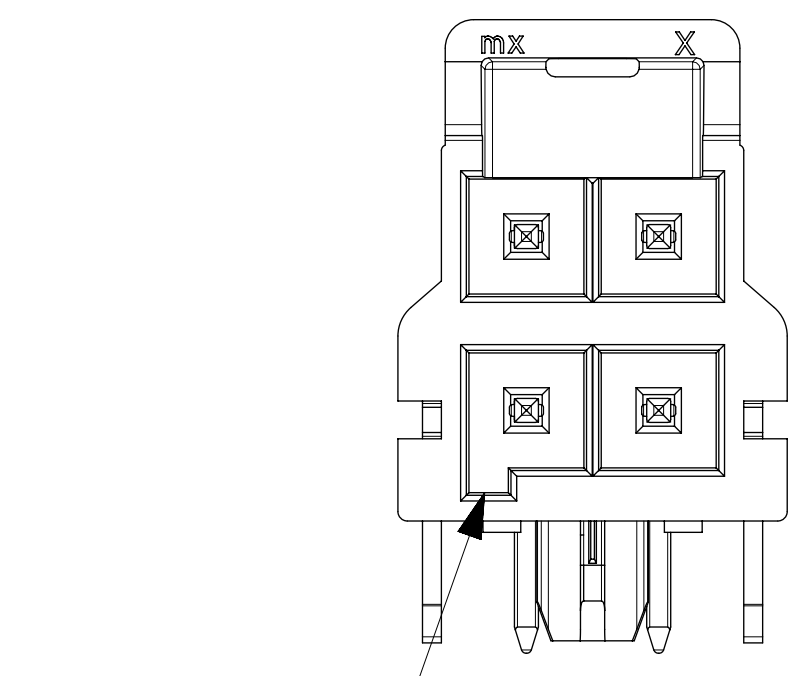
PCB LAYOUT 16 CIRCUIT COMPONENT SIDE  
RECOMMENDED PCB THICKNESS 1.60MM-2.40MM

TIN PLATING								
PART NO.	COLOR	CIRCUIT SIZE	KEY OPTION	DIM A	DIM F	DIM C	DIM D	DIM E
172316-3104	BLACK	4	KEY A	3.50	10.30	1.75	0.00	4.25
172316-3106	BLACK	6	KEY A	7.00	13.80	3.50	0.00	6.00
172316-3108	BLACK	8	KEY A	10.50	17.30	5.25	7.00	7.75
172316-3110	BLACK	10	KEY A	14.00	20.80	7.00	10.50	9.50
172316-3112	BLACK	12	KEY A	17.50	24.30	8.75	14.00	11.25
172316-3114	BLACK	14	KEY A	21.00	27.80	10.50	17.50	13.00
172316-3116	BLACK	16	KEY A	24.50	31.30	12.25	21.00	14.75
172316-4104	NATURAL	4	KEY B	3.50	10.30	1.75	0.00	4.25
172316-4106	NATURAL	6	KEY B	7.00	13.80	3.50	0.00	6.00
172316-4108	NATURAL	8	KEY B	10.50	17.30	5.25	7.00	7.75
172316-4110	NATURAL	10	KEY B	14.00	20.80	7.00	10.50	9.50
172316-4112	NATURAL	12	KEY B	17.50	24.30	8.75	14.00	11.25
172316-4114	NATURAL	14	KEY B	21.00	27.80	10.50	17.50	13.00
172316-4116	NATURAL	16	KEY B	24.50	31.30	12.25	21.00	14.75

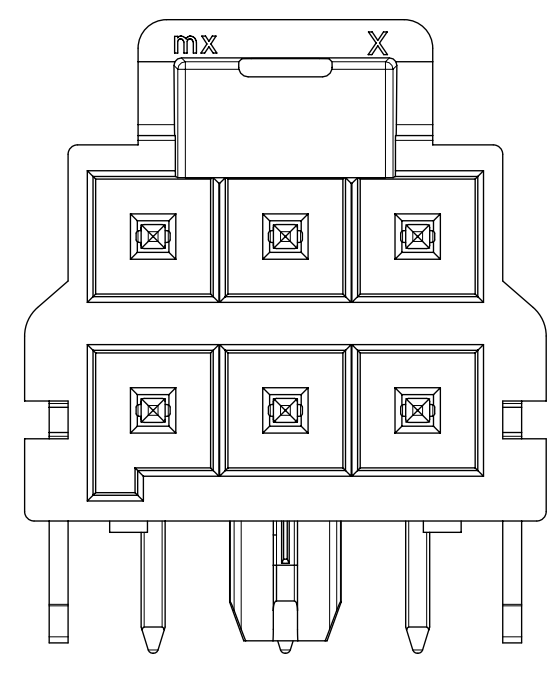
15 MICROINCH GOLD PLATING								
PART NO.	COLOR	CIRCUIT SIZE	KEY OPTION	DIM A	DIM F	DIM C	DIM D	DIM E
172316-3204	BLACK	4	KEY A	3.50	10.30	1.75	0.00	4.25
172316-3206	BLACK	6	KEY A	7.00	13.80	3.50	0.00	6.00
172316-3208	BLACK	8	KEY A	10.50	17.30	5.25	7.00	7.75
172316-3210	BLACK	10	KEY A	14.00	20.80	7.00	10.50	9.50
172316-3212	BLACK	12	KEY A	17.50	24.30	8.75	14.00	11.25
172316-3214	BLACK	14	KEY A	21.00	27.80	10.50	17.50	13.00
172316-3216	BLACK	16	KEY A	24.50	31.30	12.25	21.00	14.75
172316-4204	NATURAL	4	KEY B	3.50	10.30	1.75	0.00	4.25
172316-4206	NATURAL	6	KEY B	7.00	13.80	3.50	0.00	6.00
172316-4208	NATURAL	8	KEY B	10.50	17.30	5.25	7.00	7.75
172316-4210	NATURAL	10	KEY B	14.00	20.80	7.00	10.50	9.50
172316-4212	NATURAL	12	KEY B	17.50	24.30	8.75	14.00	11.25
172316-4214	NATURAL	14	KEY B	21.00	27.80	10.50	17.50	13.00
172316-4216	NATURAL	16	KEY B	24.50	31.30	12.25	21.00	14.75

30 MICROINCH GOLD PLATING								
PART NO.	COLOR	CIRCUIT SIZE	KEY OPTION	DIM A	DIM F	DIM C	DIM D	DIM E
172316-3304	BLACK	4	KEY A	3.50	10.30	1.75	0.00	4.25
172316-3306	BLACK	6	KEY A	7.00	13.80	3.50	0.00	6.00
172316-3308	BLACK	8	KEY A	10.50	17.30	5.25	7.00	7.75
172316-3310	BLACK	10	KEY A	14.00	20.80	7.00	10.50	9.50
172316-3312	BLACK	12	KEY A	17.50	24.30	8.75	14.00	11.25
172316-3314	BLACK	14	KEY A	21.00	27.80	10.50	17.50	13.00
172316-3316	BLACK	16	KEY A	24.50	31.30	12.25	21.00	14.75
172316-4304	NATURAL	4	KEY B	3.50	10.30	1.75	0.00	4.25
172316-4306	NATURAL	6	KEY B	7.00	13.80	3.50	0.00	6.00
172316-4308	NATURAL	8	KEY B	10.50	17.30	5.25	7.00	7.75
172316-4310	NATURAL	10	KEY B	14.00	20.80	7.00	10.50	9.50
172316-4312	NATURAL	12	KEY B	17.50	24.30	8.75	14.00	11.25
172316-4314	NATURAL	14	KEY B	21.00	27.80	10.50	17.50	13.00
172316-4316	NATURAL	16	KEY B	24.50	31.30	12.25	21.00	14.75

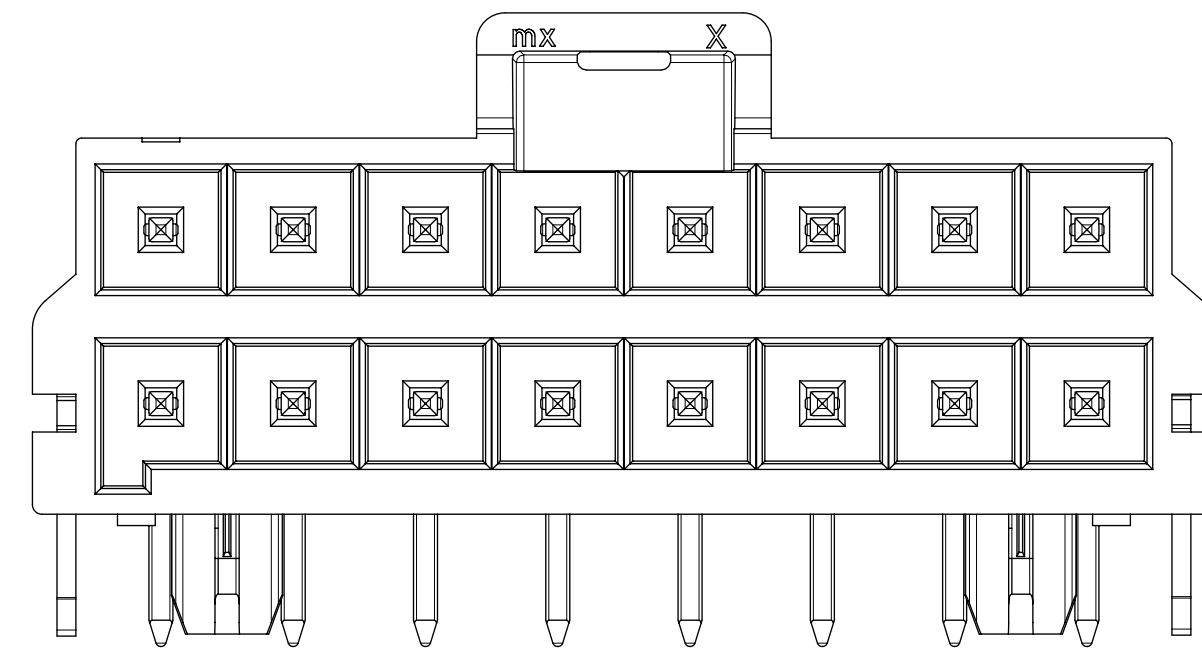
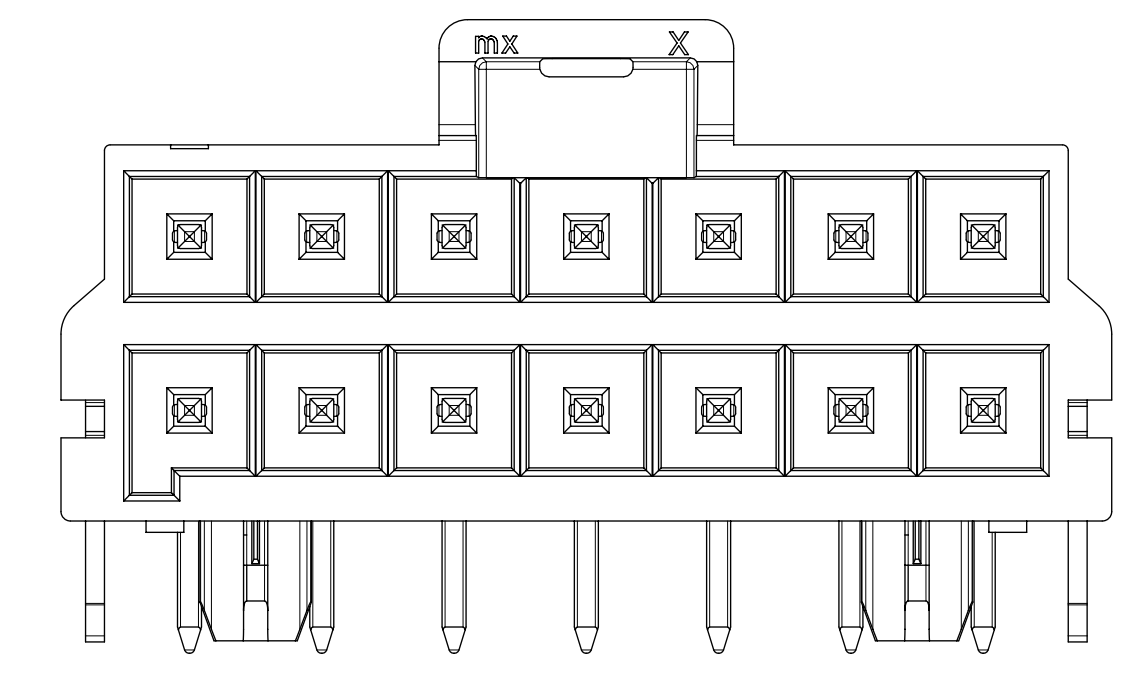
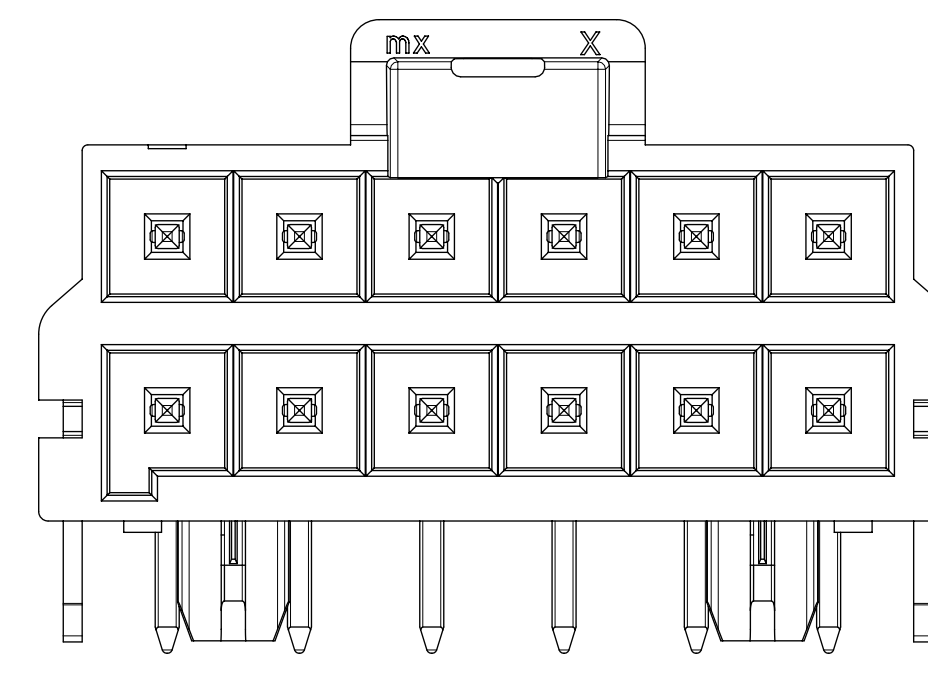
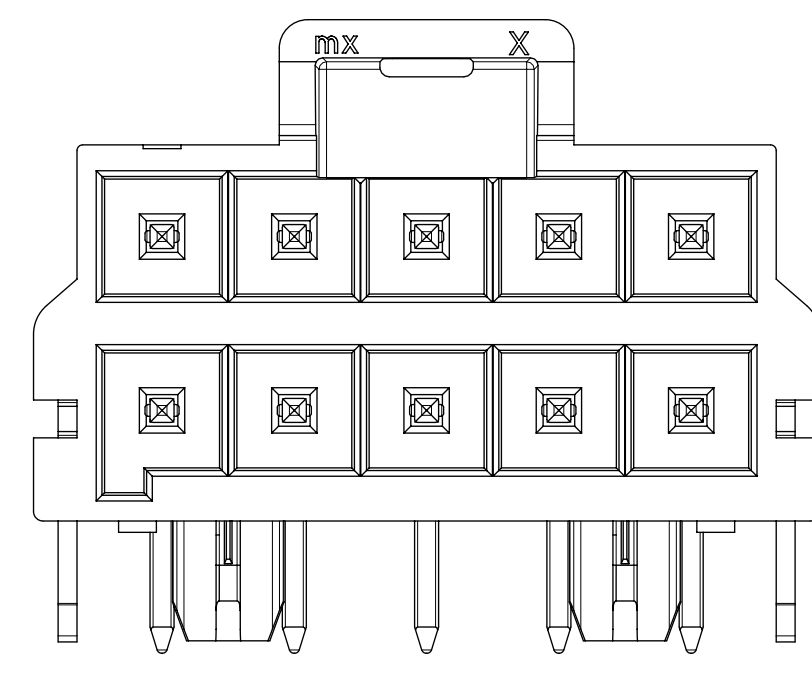
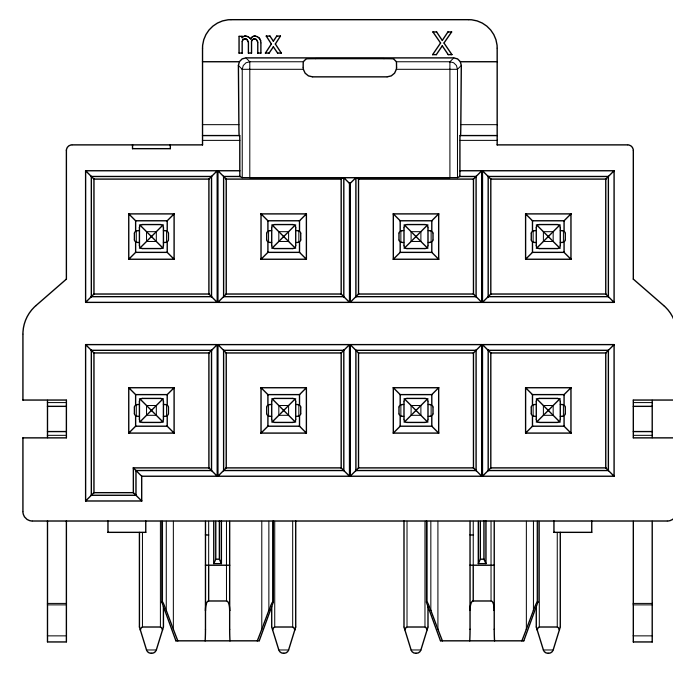
<b>SYMBOLS</b> DIMENSION UNITS: mm SCALE: 5:1 GENERAL TOLERANCES (UNLESS SPECIFIED) ANGULAR TOL: ± ° 4 PLACES: ± 3 PLACES: ± 2 PLACES: ± 0.13 1 PLACE: ± 0.25 0 PLACES: ± DRAFT WHERE APPLICABLE MUST REMAIN WITHIN DIMENSIONS	THIS DRAWING CONTAINS INFORMATION THAT IS PROPRIETARY TO MOLEX ELECTRONIC TECHNOLOGIES, LLC AND SHOULD NOT BE USED WITHOUT WRITTEN PERMISSION CURRENT REV DESC:		 ULTRA-FIT DR R/A HEAD SN ASSY PRODUCT CUSTOMER DRAWING DOCUMENT NUMBER: 1723162000 DOC TYPE: PSD DOC PART: 000 REVISION: E MATERIAL NUMBER: 172316 CUSTOMER: D-SIZE SHEET NUMBER: 2 OF 3
	EC NO: 762168 DRWN: LEOW CHK'D: XQZHANG APPR: XQZHANG		
	INITIAL REVISION: DRWN: PPerez03 APPR: RHODGE		
	2023/09/06 2024/02/20 2016/02/22 2016/06/21		



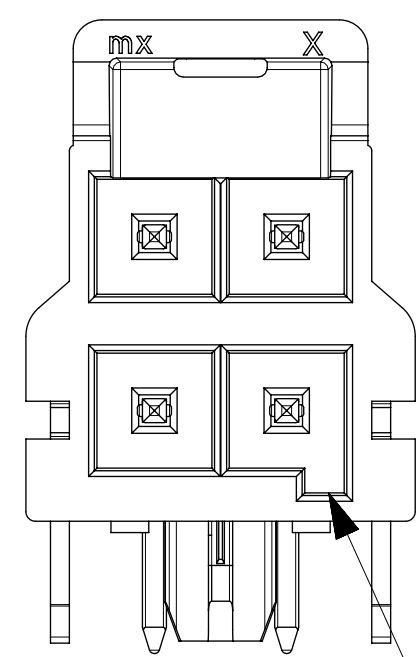
KEY A (BLACK) 4CKT



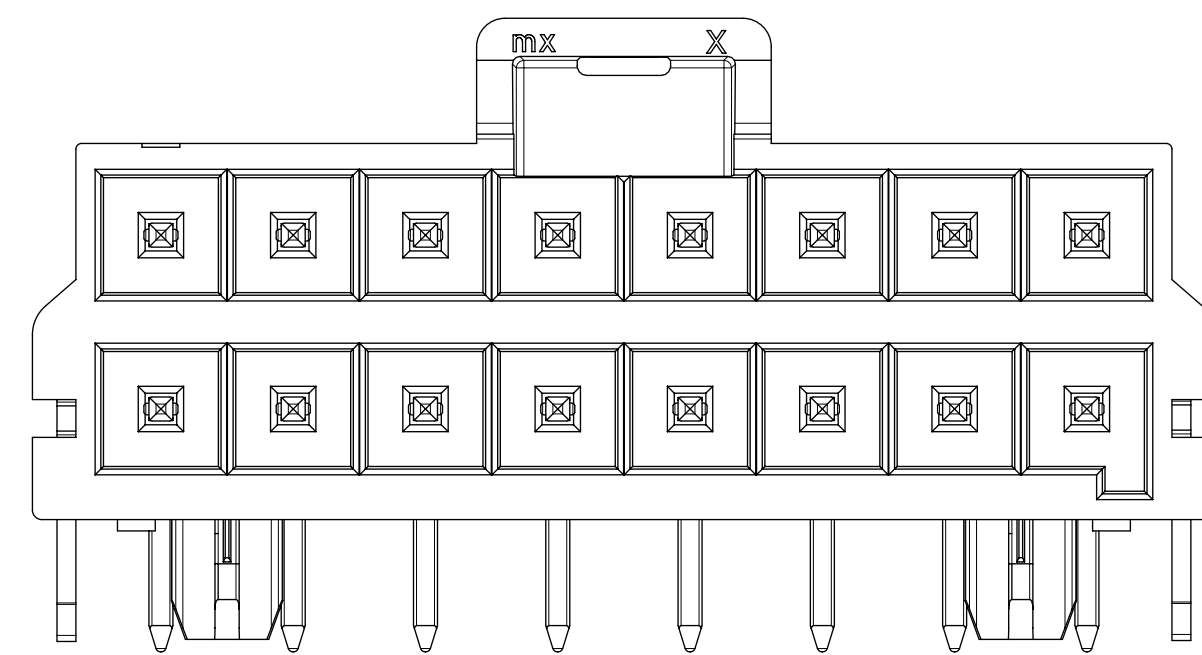
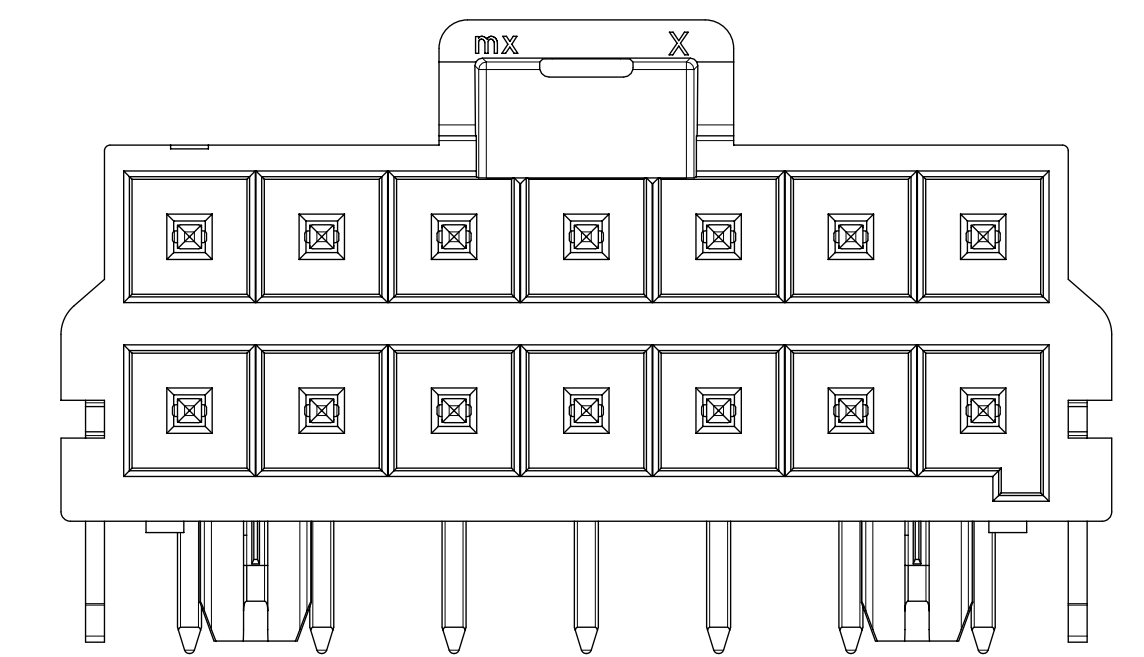
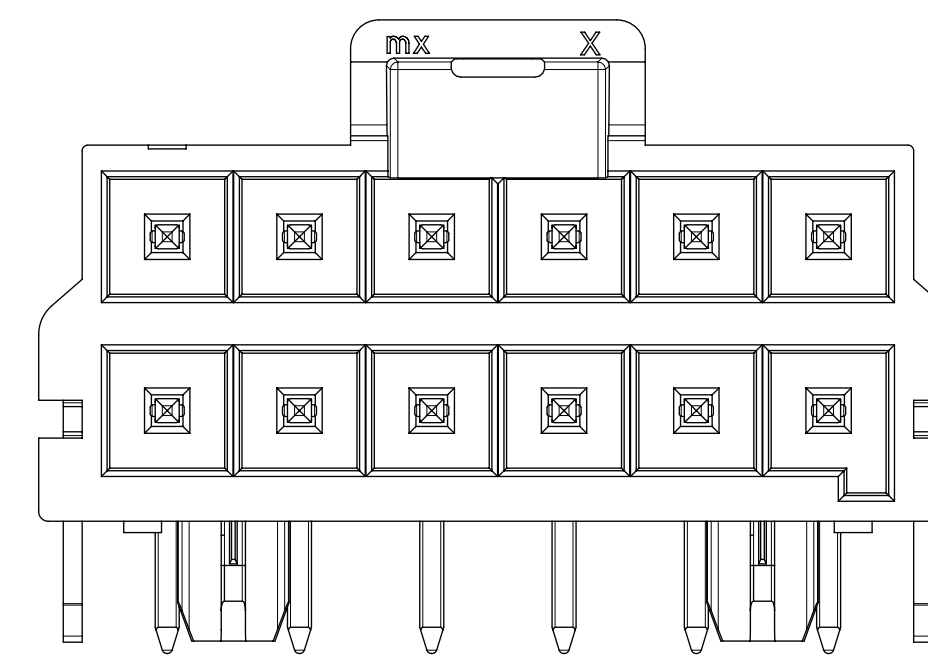
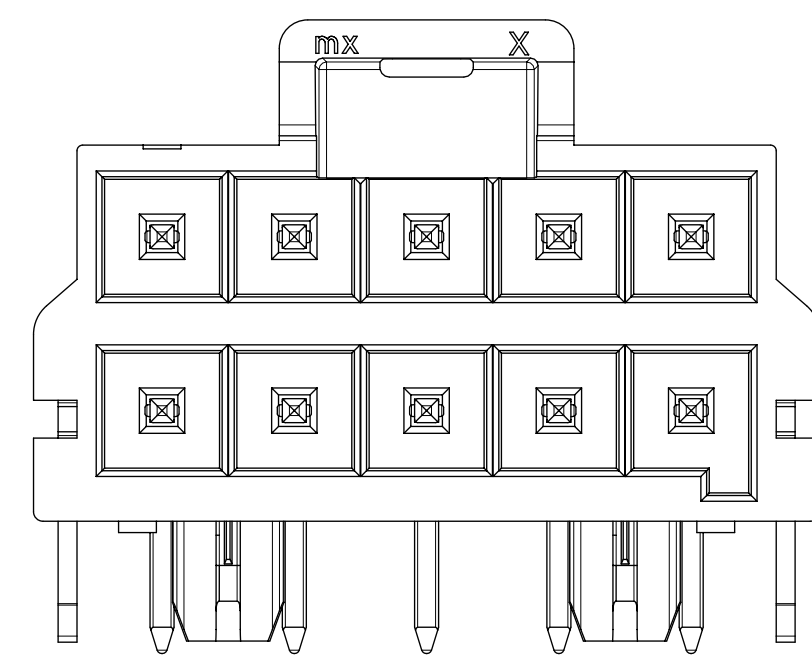
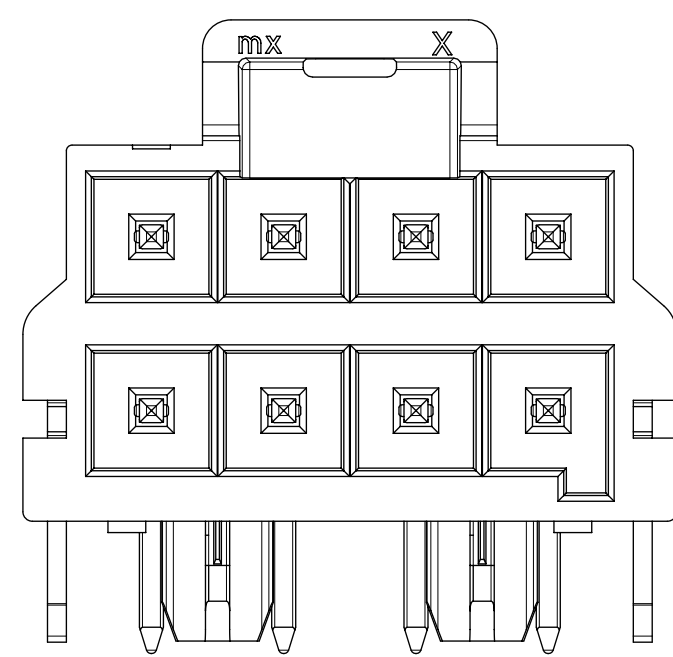
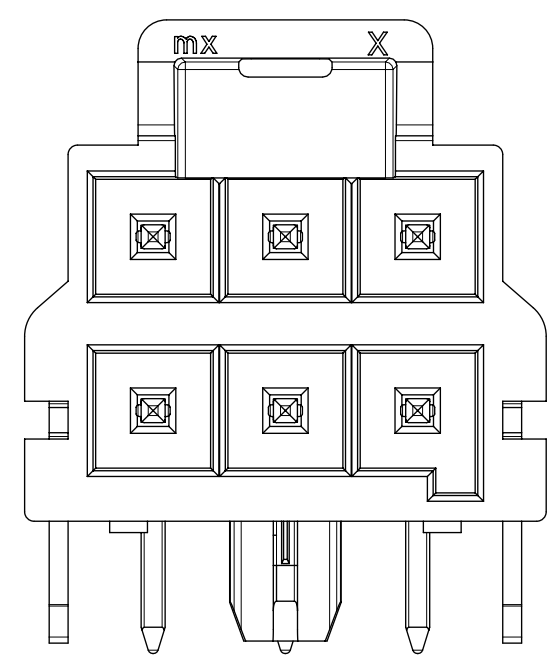
6CKT



BLACK



KEY B (BLACK)



NATURAL

COLOR-POLARIZATION

SYMBOLS	THIS DRAWING CONTAINS INFORMATION THAT IS PROPRIETARY TO MOLEX ELECTRONIC TECHNOLOGIES, LLC AND SHOULD NOT BE USED WITHOUT WRITTEN PERMISSION		CURRENT REV DESC:		
	DIMENSION UNITS	SCALE			
▽ = 0	mm	5:1			ULTRA-FIT DR R/A HEAD SN ASSY
▽ = 0	GENERAL TOLERANCES (UNLESS SPECIFIED)				PRODUCT CUSTOMER DRAWING
▽ = 0	ANGULAR TOL	± °			DOCUMENT NUMBER
▽ = 0	4 PLACES	±	EC NO: 762168	2023/09/06	1723162000
▽ = 0	3 PLACES	±	DRWN: LEOW	2024/02/20	PSD
▽ = 0	2 PLACES	± 0.13	CHK'D: XQZHANG	2024/02/20	000
▽ = 0	1 PLACE	± 0.25	APPR: XQZHANG		E
⊠ = 0	0 PLACES	±	INITIAL REVISION:		
■ = 0	DRAFT WHERE APPLICABLE MUST REMAIN WITHIN DIMENSIONS		DRWN: PPerez03	2016/02/22	
▽ = 0	THIRD ANGLE PROJECTION		APPR: RHODGE	2016/06/21	
	DRAWING		SERIES		MATERIAL NUMBER
	D-SIZE		172316		CUSTOMER
					SHEET NUMBER
					3 OF 3