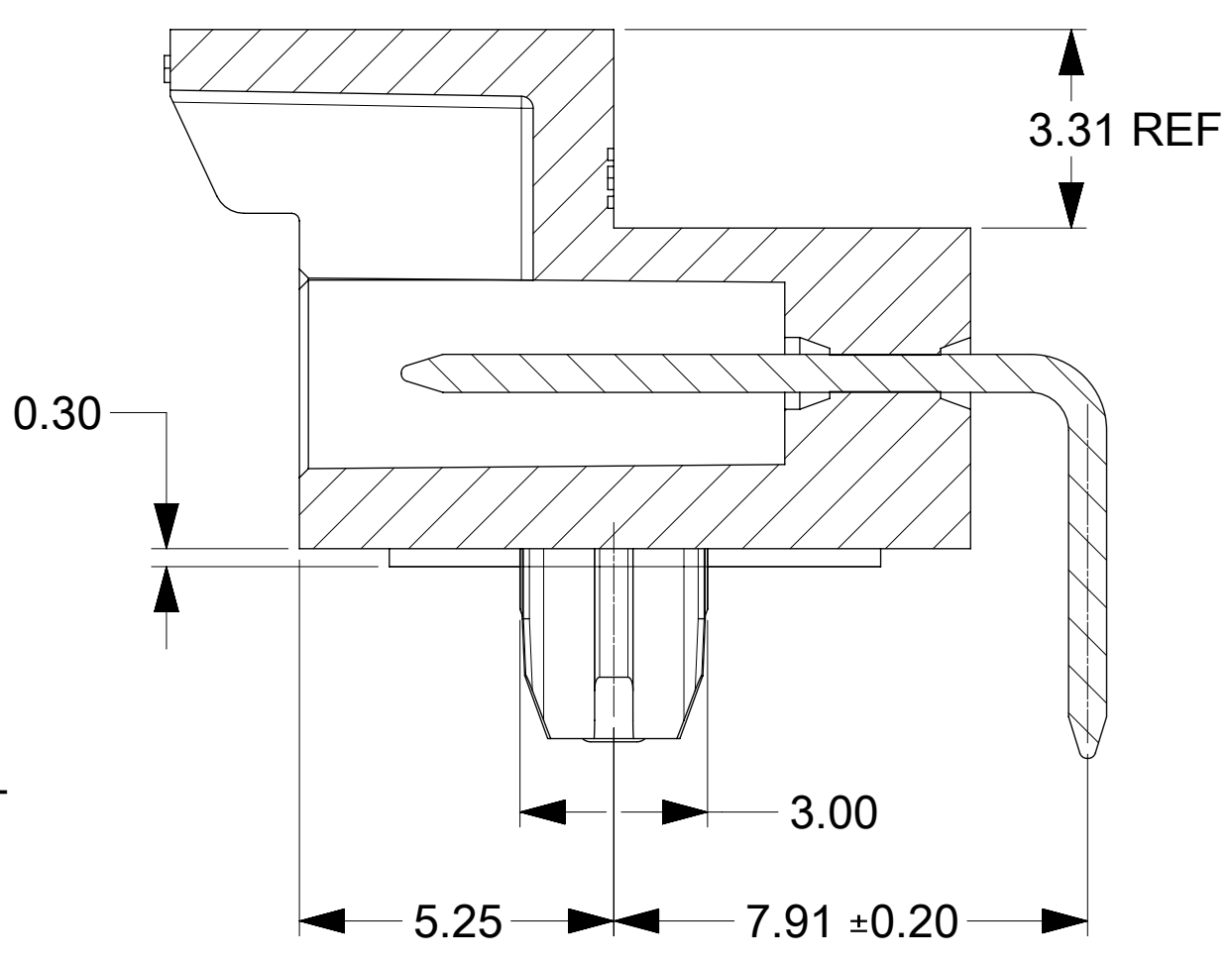
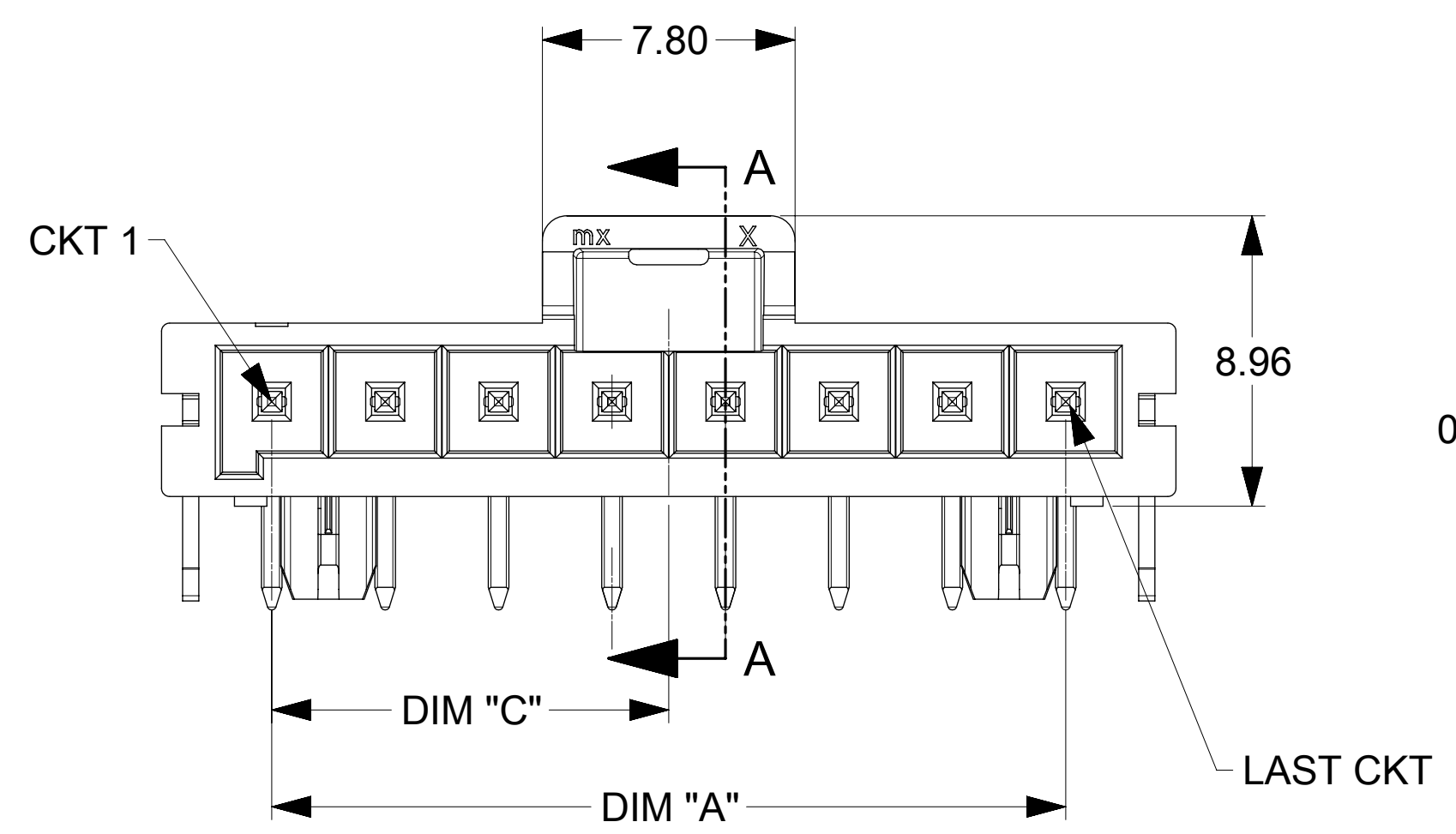
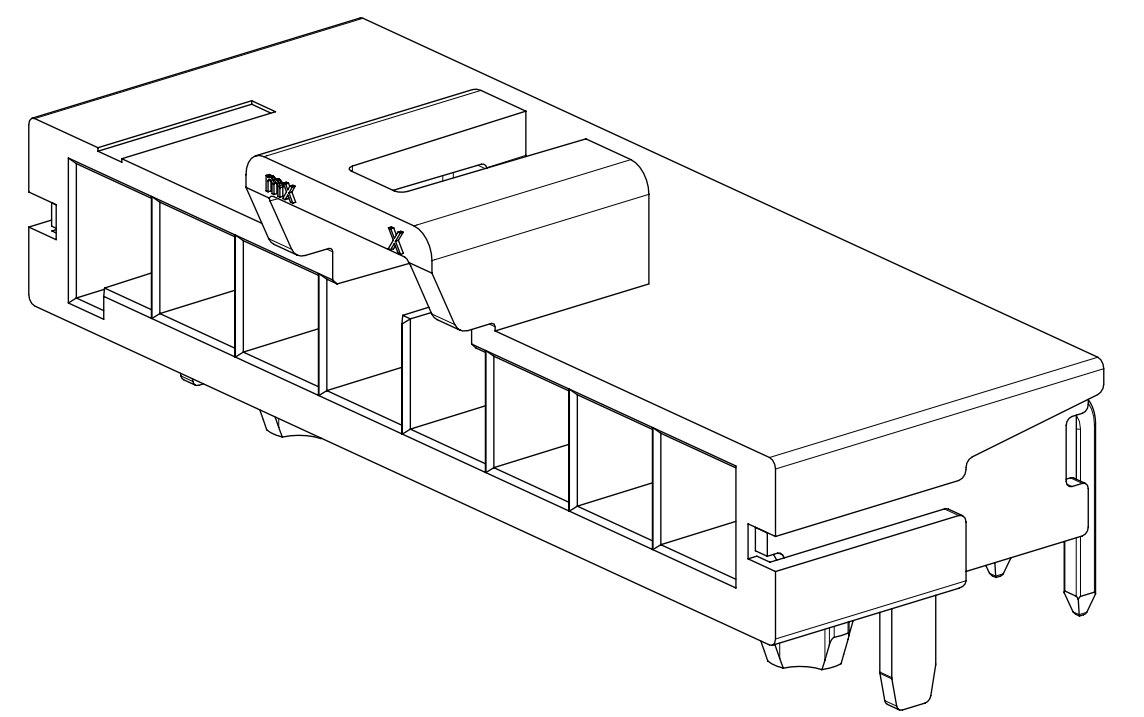
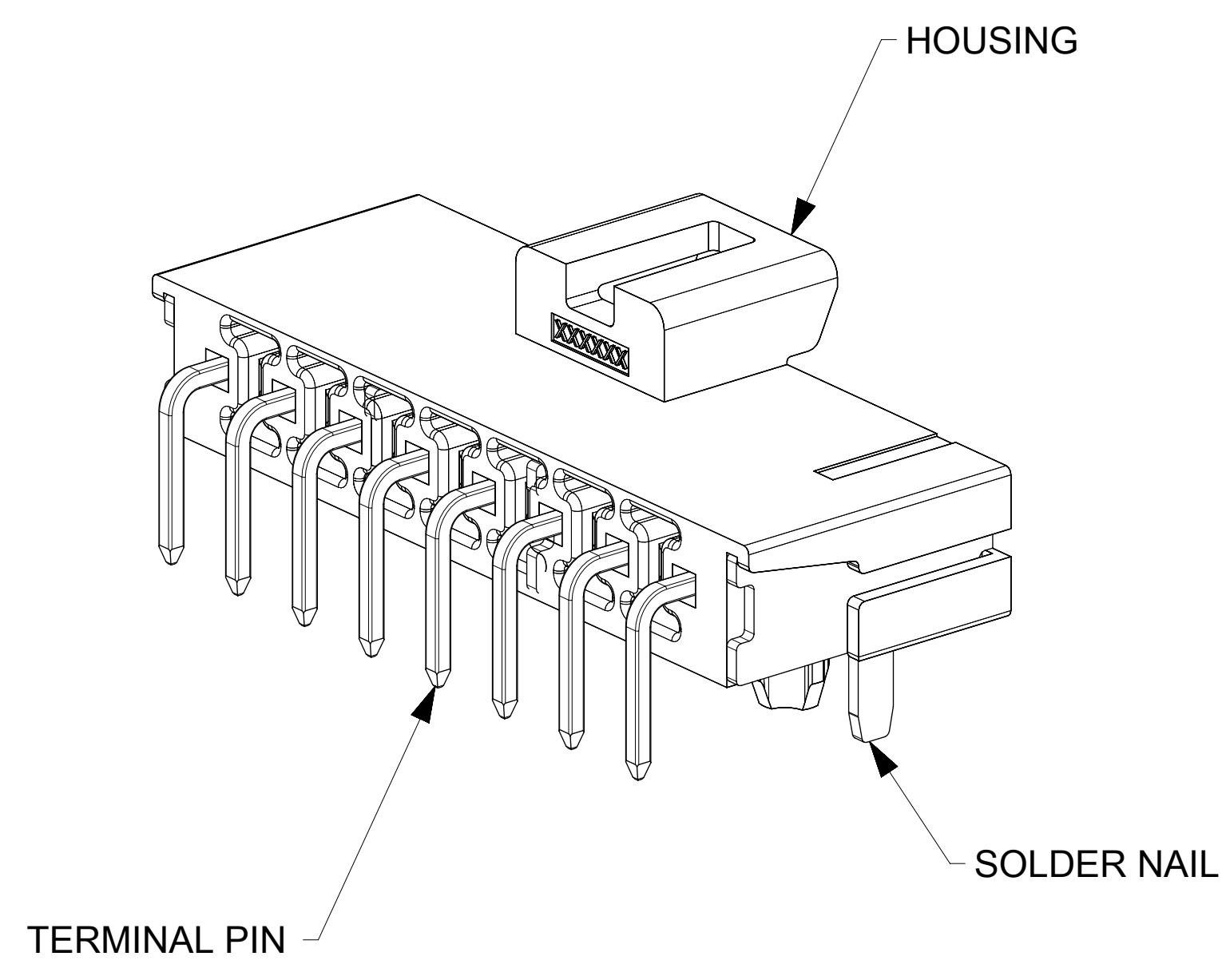
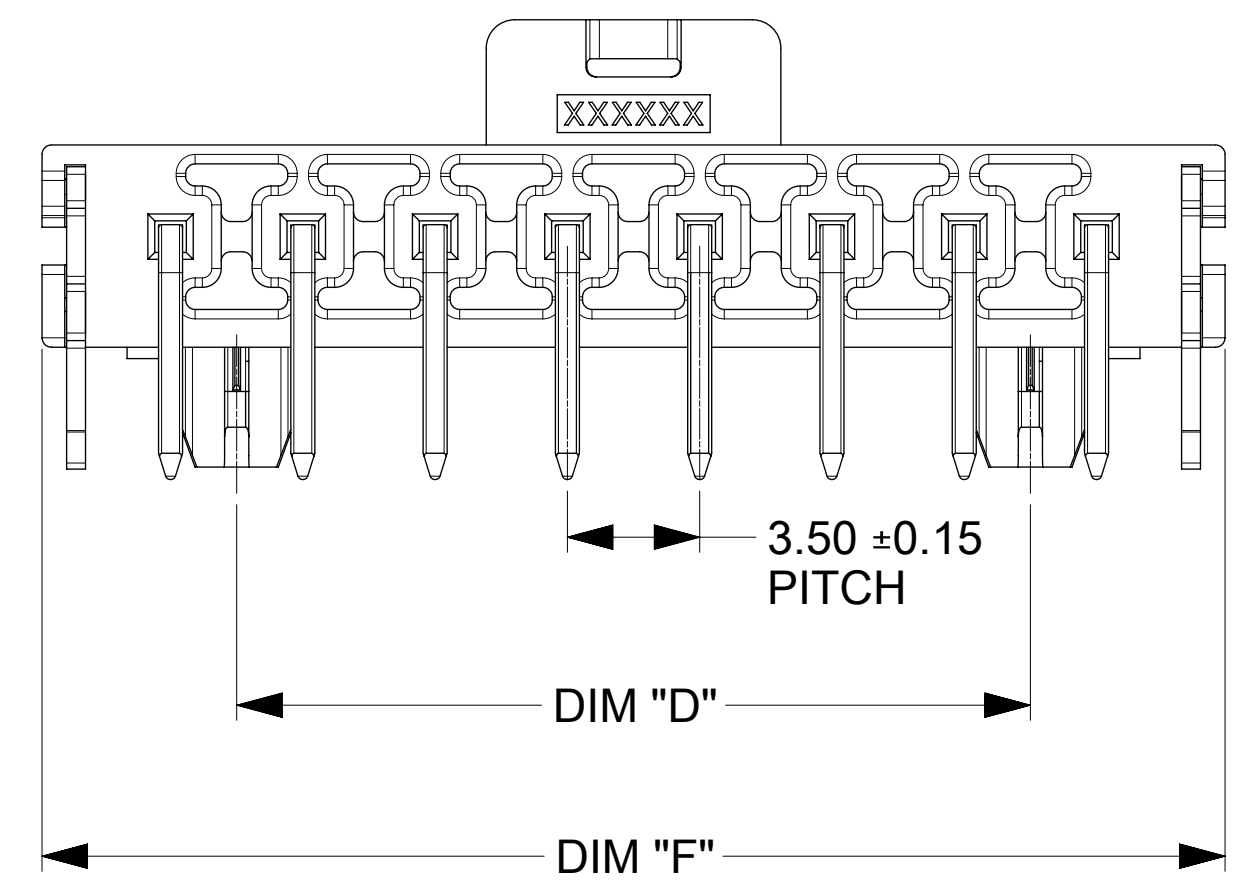


DATE CODE LOCATION
SEE NOTE 6

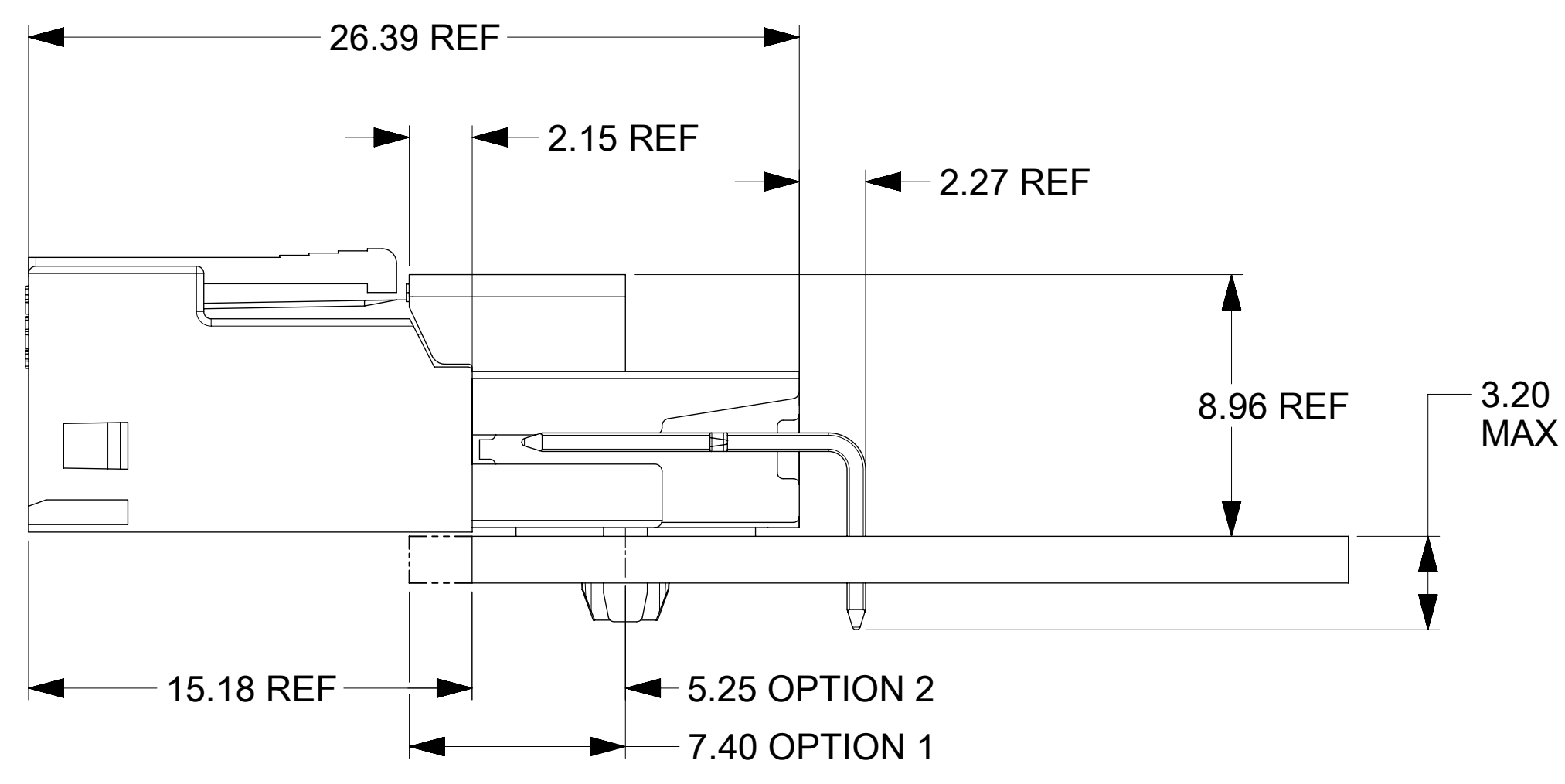


SECTION A-A
SCALE 8:1



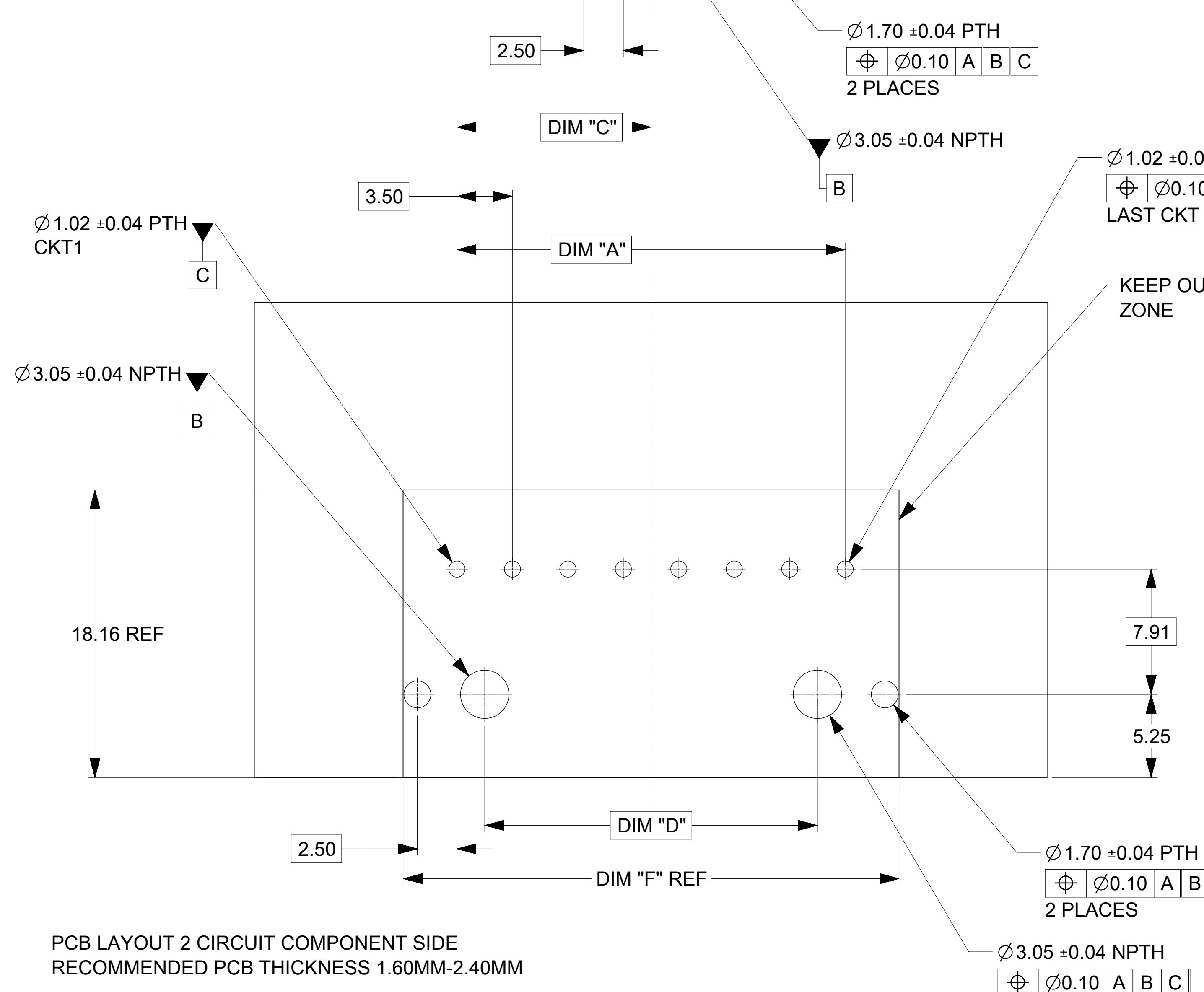
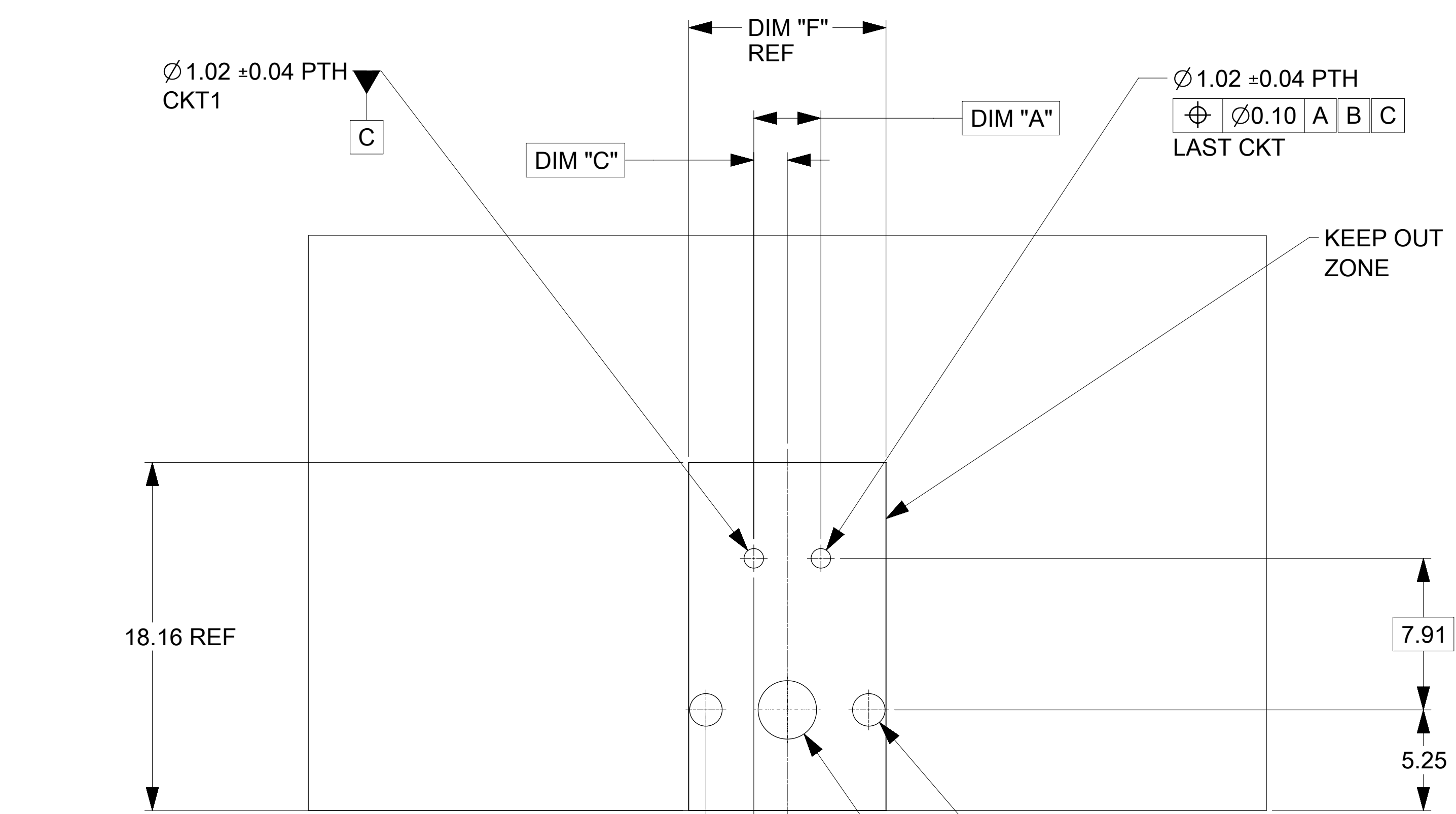
NOTES:

- MATERIAL :
HOUSING:
OPTION 1: LCP BLACK, UL94V-0
OPTION 2: LCP NATURAL, UL94V-0
TERMINAL: COPPER ALLOY
- PLATING FINISH:
OPTION 1 - 1.5µm(60µin)-2.5µm(100µin) REFLOW MATTE TIN OVER
1.25µm(50µin)-2.5µm(100µin) NICKEL OVERALL
OPTION 2 - 0.35µm(15µin) GOLD CONTACT AREA,
1.5µm(60µin)-2.5µm(100µin) MATTE TIN OVER
1.25µm(50µin)-2.5µm(100µin) NICKEL OVERALL
OPTION 3 - 0.70µm(30µin) GOLD CONTACT AREA,
1.5µm(60µin)-2.5µm(100µin) MATTE TIN OVER
1.25µm(50µin)-2.5µm(100µin) NICKEL OVERALL
- PARTS TO BE PACKAGED PER CHART FOR DETAIL
- PRODUCT SPECIFICATION PS-172323-0001
- PART MATES WITH MOLEX RECEPTACLE HOUSING 172256 AND 172260
- PART CONFORMS TO CLASS "C" REQUIREMENTS OF MOLEX COSMETIC SPECIFICATION.
PS-45499-002 WITH 0.13 MM MAXIMUM FLASH ALLOWED IN CORE HOLES AND FRONT SURFACE.
- LASER MARK CODE IN A FORMAT DDD
- PARTS ARE NOT DESIGNED FOR CURRENT SHARING.



OPTION 1: LATCH FLUSH WITH PCB EDGE
OPTION 2: HOUSING BODY FLUSH WITH PCB EDGE

SYMBOLS	THIS DRAWING CONTAINS INFORMATION THAT IS PROPRIETARY TO MOLEX ELECTRONIC TECHNOLOGIES, LLC AND SHOULD NOT BE USED WITHOUT WRITTEN PERMISSION		
	DIMENSION UNITS	SCALE	CURRENT REV DESC:
▽ = 0	mm	5:1	
▽ = 0	GENERAL TOLERANCES (UNLESS SPECIFIED)		
▽ = 0	ANGULAR TOL	± °	
▽ = 0	4 PLACES	±	
▽ = 0	3 PLACES	±	
▽ = 0	2 PLACES	± 0.13	
▽ = 0	1 PLACE	± 0.25	
▽ = 0	0 PLACES	±	
■ = 0	DRAFT WHERE APPLICABLE MUST REMAIN WITHIN DIMENSIONS		
▽ = 0	THIRD ANGLE PROJECTION	DRAWING	SERIES
		D-SIZE	172310
EC NO: 767102		2023/07/19	molex
DRWN: LEOW		2023/10/30	
CHK'D: XQZHANG		2023/10/30	ULTRA-FIT SR R/A HEAD SN ASSY
APPR: XQZHANG		2023/10/30	PRODUCT CUSTOMER DRAWING
INITIAL REVISION:			DOCUMENT NUMBER
DRWN: PPerez03		2016/02/22	1723102000
APPR: RHODGE		2016/06/21	DOC TYPE
			PSD
			DOC PART
			000
			REVISION
			B2
			MATERIAL NUMBER
			CUSTOMER
			SHEET NUMBER
			1 OF 3



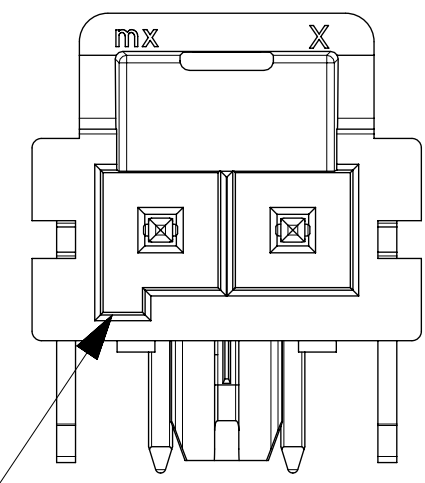
PCB LAYOUT 2 CIRCUIT COMPONENT SIDE
RECOMMENDED PCB THICKNESS 1.60MM-2.40MM

TIN PLATING									
PART NO.	COLOR	CIRCUIT SIZE	KEY OPTION	DIM A	DIM F	DIM C	DIM D	PACKING SPEC	
172310-3102	BLACK	2	KEY A	3.50	10.30	1.75	0.00	PK-172310-9001	
172310-3103	BLACK	3	KEY A	7.00	13.80	3.50	0.00		
172310-3104	BLACK	4	KEY A	10.50	17.30	5.25	7.00		
172310-3105	BLACK	5	KEY A	14.00	20.80	7.00	10.50		
172310-3106	BLACK	6	KEY A	17.50	24.30	8.75	14.00		
172310-3107	BLACK	7	KEY A	21.00	27.80	10.50	17.50		
172310-3108	BLACK	8	KEY A	24.50	31.30	12.25	21.00		
172310-4102	NATURAL	2	KEY B	3.50	10.30	1.75	0.00		
172310-4103	NATURAL	3	KEY B	7.00	13.80	3.50	0.00		
172310-4104	NATURAL	4	KEY B	10.50	17.30	5.25	7.00		
172310-4105	NATURAL	5	KEY B	14.00	20.80	7.00	10.50		
172310-4106	NATURAL	6	KEY B	17.50	24.30	8.75	14.00		
172310-4107	NATURAL	7	KEY B	21.00	27.80	10.50	17.50		
172310-4108	NATURAL	8	KEY B	24.50	31.30	12.25	21.00		
172310-8103	BLACK	3	KEY A	7.00	13.80	3.50	0.00	1723108000-PK	
172310-9103	NATURAL	3	KEY B	7.00	13.80	3.50	0.00		

15 MICROINCH GOLD PLATING									
PART NO.	COLOR	CIRCUIT SIZE	KEY OPTION	DIM A	DIM F	DIM C	DIM D	PACKING SPEC	
172310-3202	BLACK	2	KEY A	3.50	10.30	1.75	0.00	PK-172310-9001	
172310-3203	BLACK	3	KEY A	7.00	13.80	3.50	0.00		
172310-3204	BLACK	4	KEY A	10.50	17.30	5.25	7.00		
172310-3205	BLACK	5	KEY A	14.00	20.80	7.00	10.50		
172310-3206	BLACK	6	KEY A	17.50	24.30	8.75	14.00		
172310-3207	BLACK	7	KEY A	21.00	27.80	10.50	17.50		
172310-3208	BLACK	8	KEY A	24.50	31.30	12.25	21.00		
172310-4202	NATURAL	2	KEY B	3.50	10.30	1.75	0.00		
172310-4203	NATURAL	3	KEY B	7.00	13.80	3.50	0.00		
172310-4204	NATURAL	4	KEY B	10.50	17.30	5.25	7.00		
172310-4205	NATURAL	5	KEY B	14.00	20.80	7.00	10.50		
172310-4206	NATURAL	6	KEY B	17.50	24.30	8.75	14.00		
172310-4207	NATURAL	7	KEY B	21.00	27.80	10.50	17.50		
172310-4208	NATURAL	8	KEY B	24.50	31.30	12.25	21.00		
172310-8203	BLACK	3	KEY A	7.00	13.80	3.50	0.00	1723108000-PK	
172310-9203	NATURAL	3	KEY B	7.00	13.80	3.50	0.00		

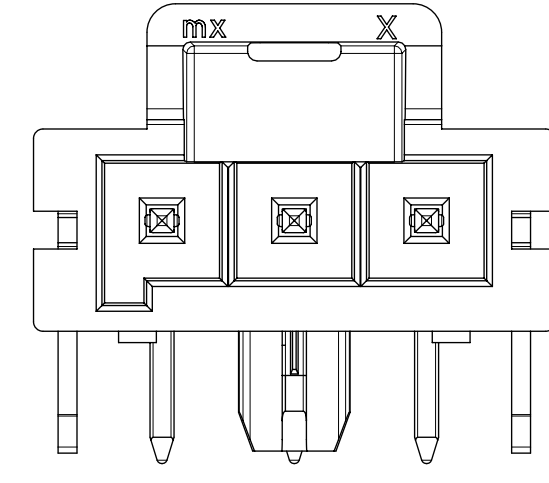
30 MICROINCH PLATING									
PART NO.	COLOR	CIRCUIT SIZE	KEY OPTION	DIM A	DIM F	DIM C	DIM D	PACKING SPEC	
172310-3302	BLACK	2	KEY A	3.50	10.30	1.75	0.00	PK-172310-9001	
172310-3303	BLACK	3	KEY A	7.00	13.80	3.50	0.00		
172310-3304	BLACK	4	KEY A	10.50	17.30	5.25	7.00		
172310-3305	BLACK	5	KEY A	14.00	20.80	7.00	10.50		
172310-3306	BLACK	6	KEY A	17.50	24.30	8.75	14.00		
172310-3307	BLACK	7	KEY A	21.00	27.80	10.50	17.50		
172310-3308	BLACK	8	KEY A	24.50	31.30	12.25	21.00		
172310-4302	NATURAL	2	KEY B	3.50	10.30	1.75	0.00		
172310-4303	NATURAL	3	KEY B	7.00	13.80	3.50	0.00		
172310-4304	NATURAL	4	KEY B	10.50	17.30	5.25	7.00		
172310-4305	NATURAL	5	KEY B	14.00	20.80	7.00	10.50		
172310-4306	NATURAL	6	KEY B	17.50	24.30	8.75	14.00		
172310-4307	NATURAL	7	KEY B	21.00	27.80	10.50	17.50		
172310-4308	NATURAL	8	KEY B	24.50	31.30	12.25	21.00		
172310-8303	BLACK	3	KEY A	7.00	13.80	3.50	0.00	1723108000-PK	
172310-9303	NATURAL	3	KEY B	7.00	13.80	3.50	0.00		

SYMBOLS ▽ = 0 ▽ = 0 ▽ = 0 ▽ = 0 ▽ = 0 ▽ = 0 ▽ = 0 ▽ = 0 ▽ = 0 ▽ = 0	THIS DRAWING CONTAINS INFORMATION THAT IS PROPRIETARY TO MOLEX ELECTRONIC TECHNOLOGIES, LLC AND SHOULD NOT BE USED WITHOUT WRITTEN PERMISSION	DIMENSION UNITS: mm SCALE: 5:1	CURRENT REV DESC: EC NO: 767102 DRWN: LEOW CHK'D: XQZHANG APPR: XQZHANG	2023/07/19 2023/10/30 2023/10/30	
	GENERAL TOLERANCES (UNLESS SPECIFIED) ANGULAR TOL ± °	DRWN: PPerez03 APPR: RHODGE	2016/02/22 2016/06/21	PRODUCT CUSTOMER DRAWING DOCUMENT NUMBER: 1723102000 DOC TYPE: PSD DOC PART: 000 REVISION: B2	
4 PLACES ± 3 PLACES ± 2 PLACES ± 0.13 1 PLACE ± 0.25 0 PLACES ±	INITIAL REVISION: DRWN: PPerez03 APPR: RHODGE	2016/02/22 2016/06/21	MATERIAL NUMBER: 172310 CUSTOMER:	SHEET NUMBER: 2 OF 3	
DRAFT WHERE APPLICABLE MUST REMAIN WITHIN DIMENSIONS	THIRD ANGLE PROJECTION 	DRAWING SERIES: D-SIZE 172310			

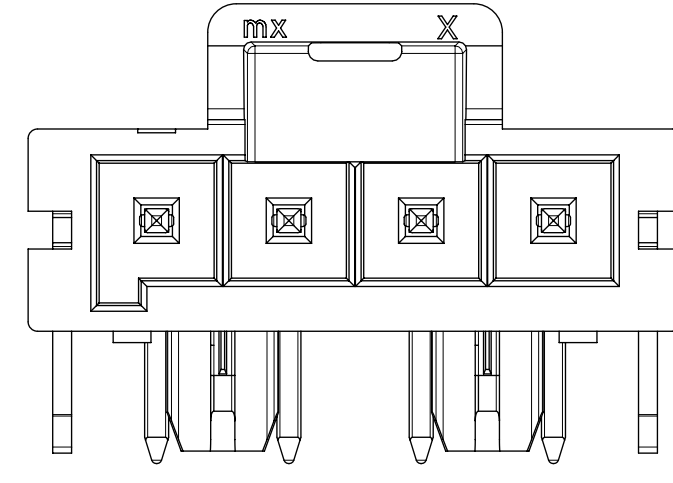


2CKT

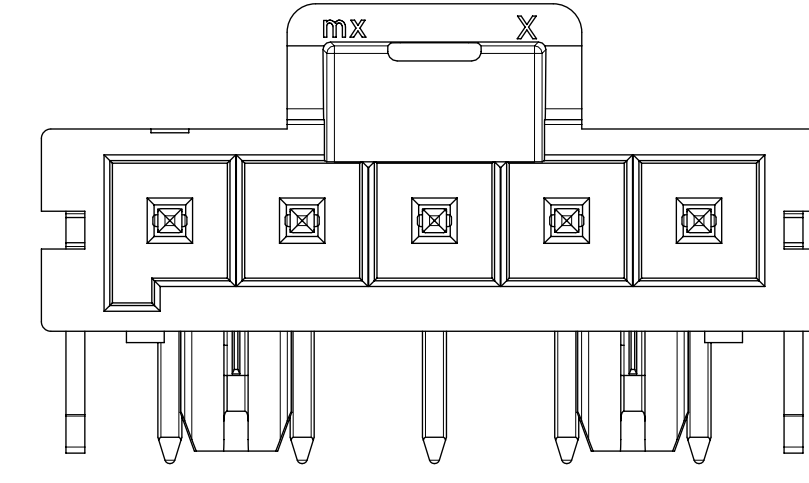
KEY A (BLACK)



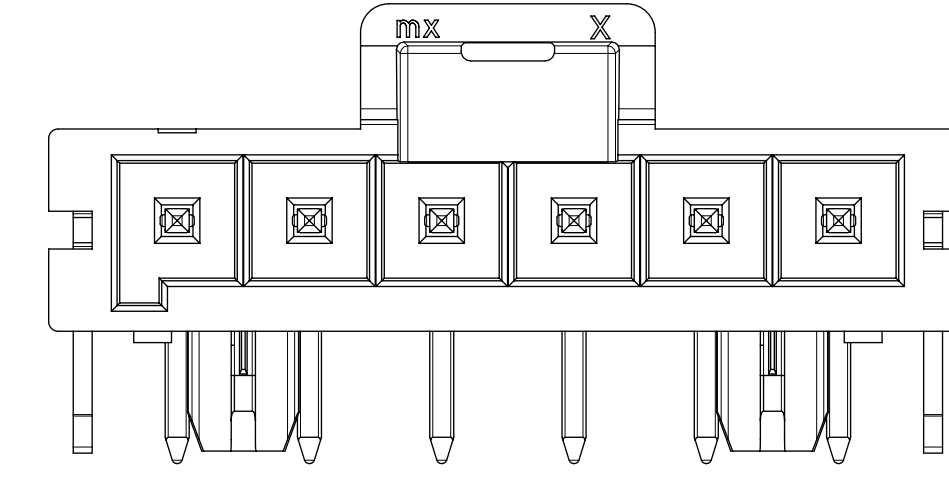
3CKT



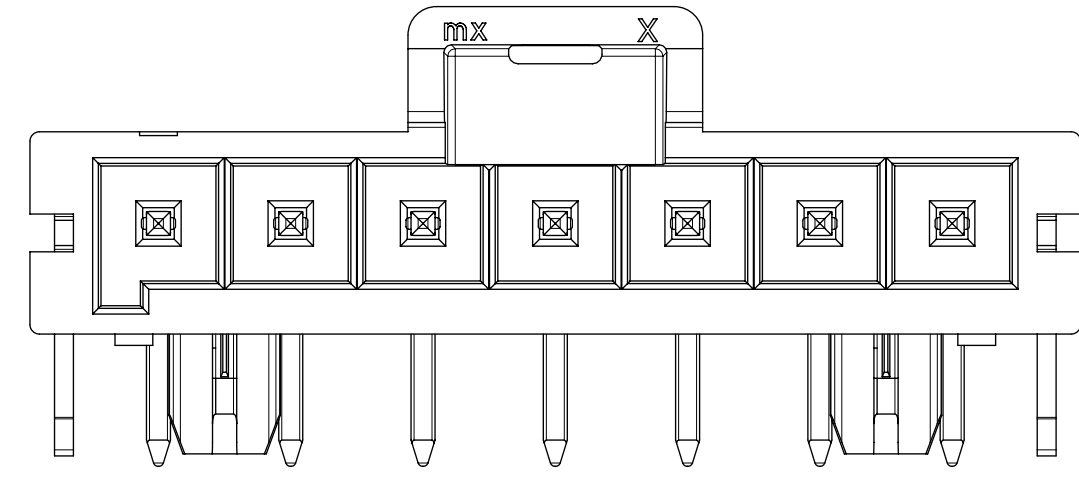
4CKT



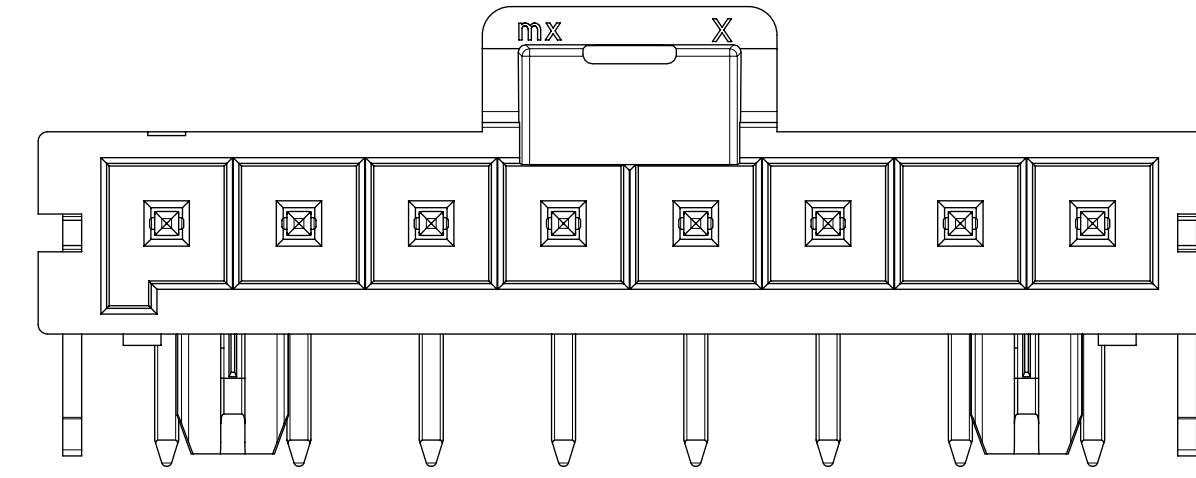
5CKT



6CKT

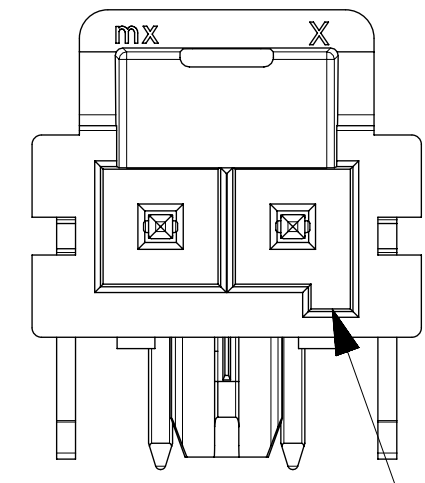


7CKT



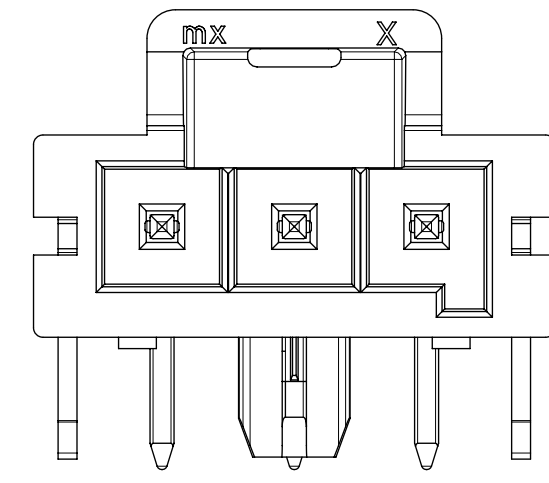
8CKT

BLACK

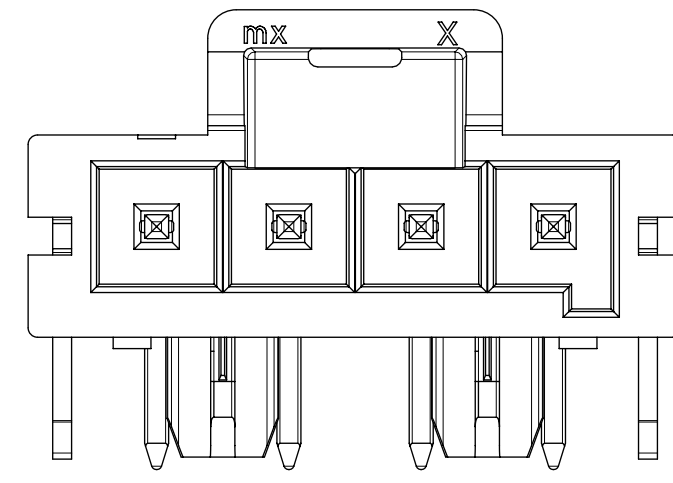


2 CKT

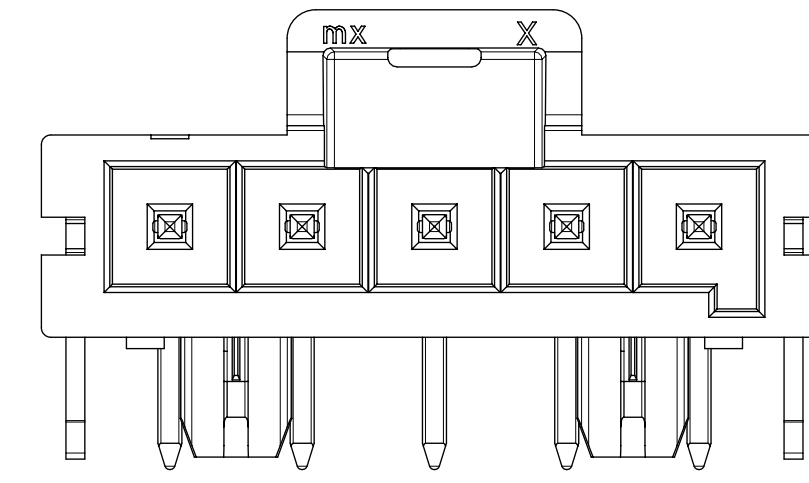
KEY B (NATURAL)



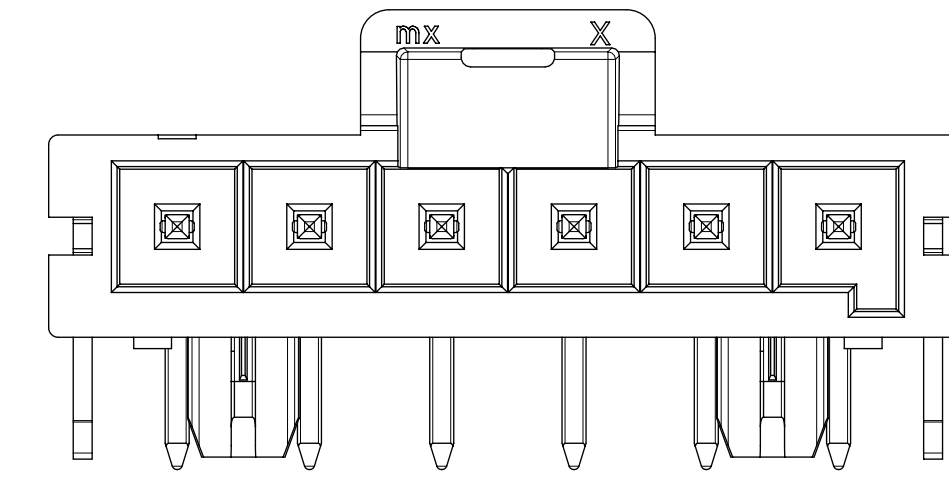
3 CKT



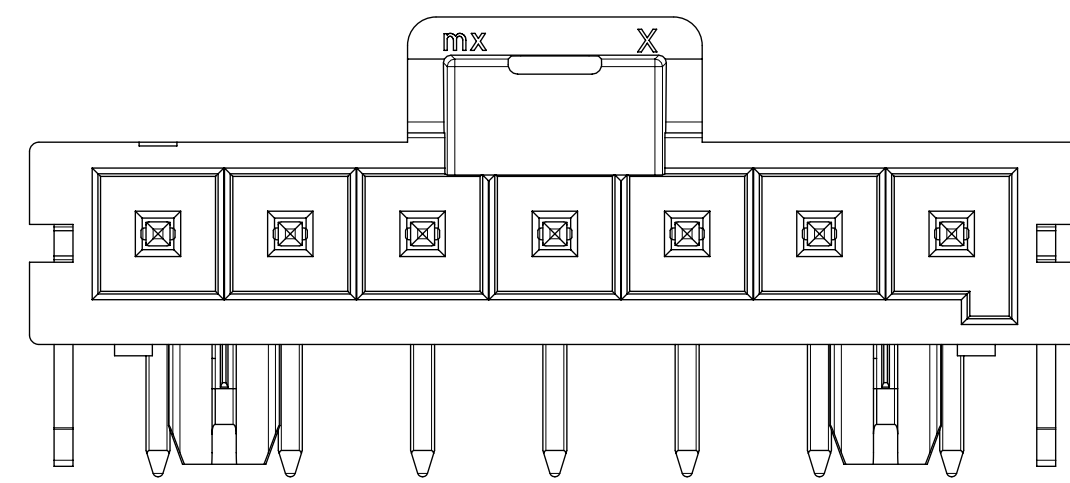
4 CKT



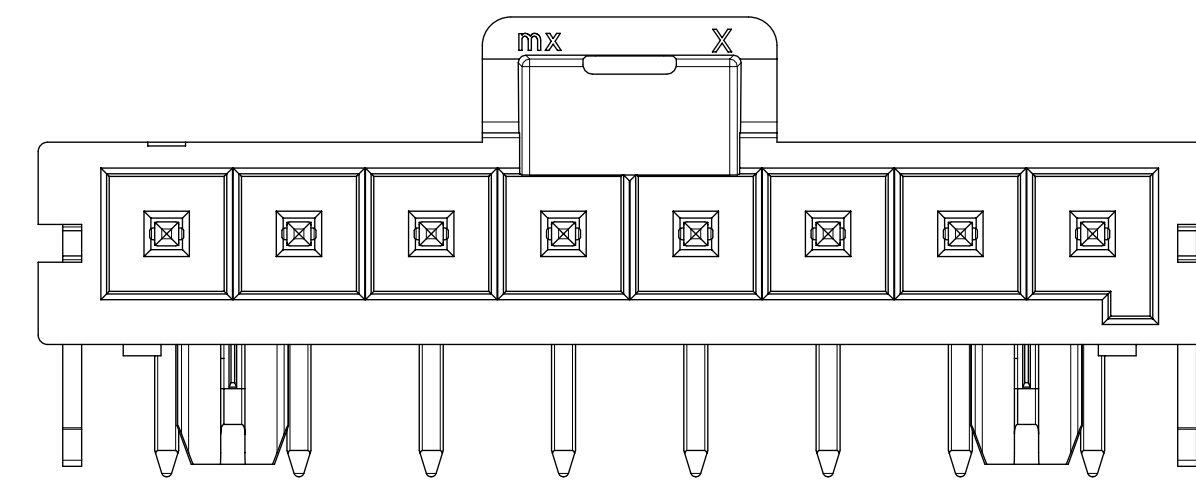
5 CKT



6 CKT



7 CKT



8 CKT

NATURAL

COLOR-POLARIZATION

SYMBOLS = 0 = 0 = 0 = 0 = 0 = 0 = 0 = 0	THIS DRAWING CONTAINS INFORMATION THAT IS PROPRIETARY TO MOLEX ELECTRONIC TECHNOLOGIES, LLC AND SHOULD NOT BE USED WITHOUT WRITTEN PERMISSION		CURRENT REV DESC:					
	DIMENSION UNITS: mm	SCALE: 5:1	EC NO: 767102 DRWN: LEOW 2023/07/19 CHK'D: XQZHANG 2023/10/30 APPR: XQZHANG 2023/10/30					
	GENERAL TOLERANCES (UNLESS SPECIFIED)		INITIAL REVISION: DRWN: PPerez03 2016/02/22 APPR: RHODGE 2016/06/21			ULTRA-FIT SR R/A HEAD SN ASSY		
	ANGULAR TOL \pm °		PRODUCT CUSTOMER DRAWING			DOCUMENT NUMBER: 1723102000		
	4 PLACES \pm		MATERIAL NUMBER: 172310			DOC TYPE: PSD		
	3 PLACES \pm		CUSTOMER:			DOC PART: 000		
	2 PLACES \pm 0.13		SHEET NUMBER: 3 OF 3			REVISION: B2		
	1 PLACE \pm 0.25		D-DRAWING: D-SIZE			SER: 172310		
	0 PLACES \pm		THIRD ANGLE PROJECTION			DRAWING:		
	DRAFT WHERE APPLICABLE MUST REMAIN WITHIN DIMENSIONS		D-DRAWING: D-SIZE			SER: 172310		