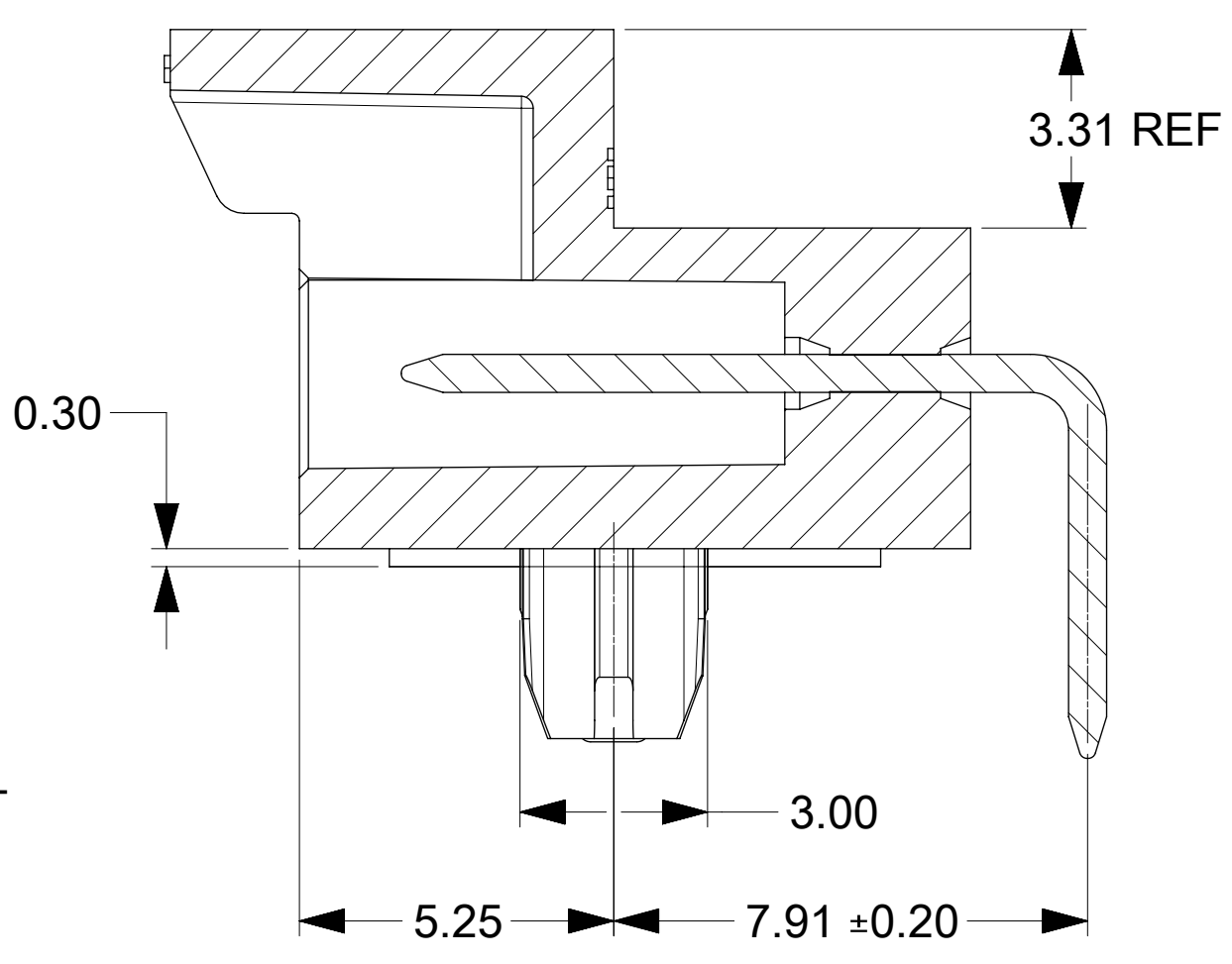
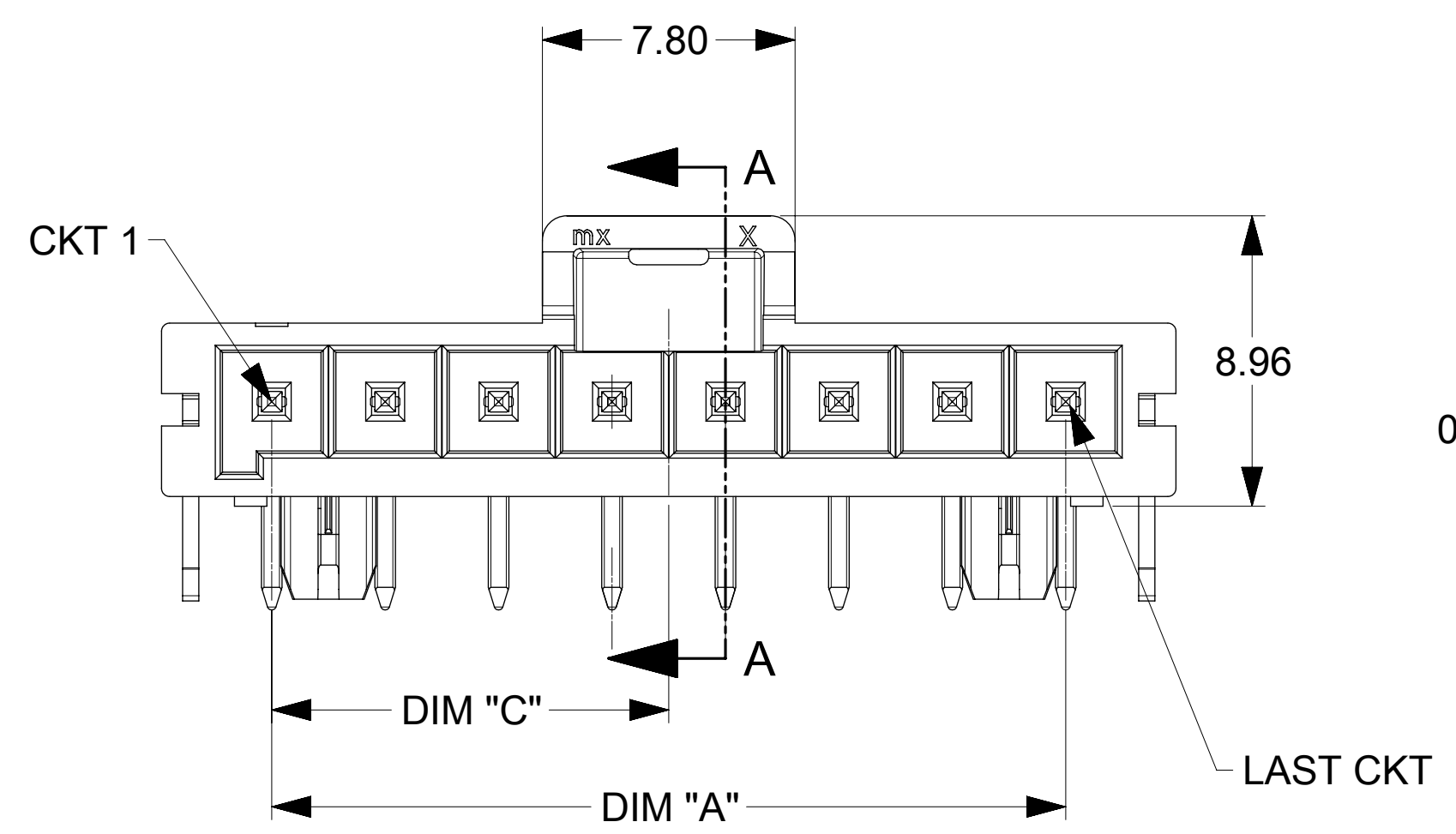
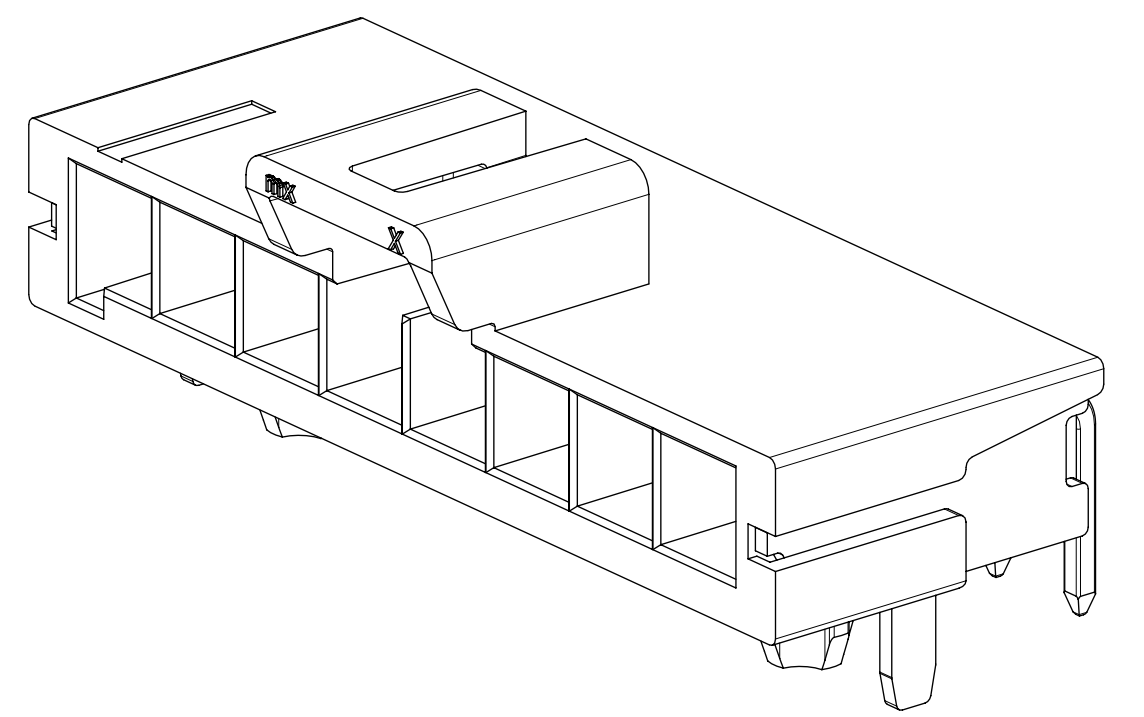
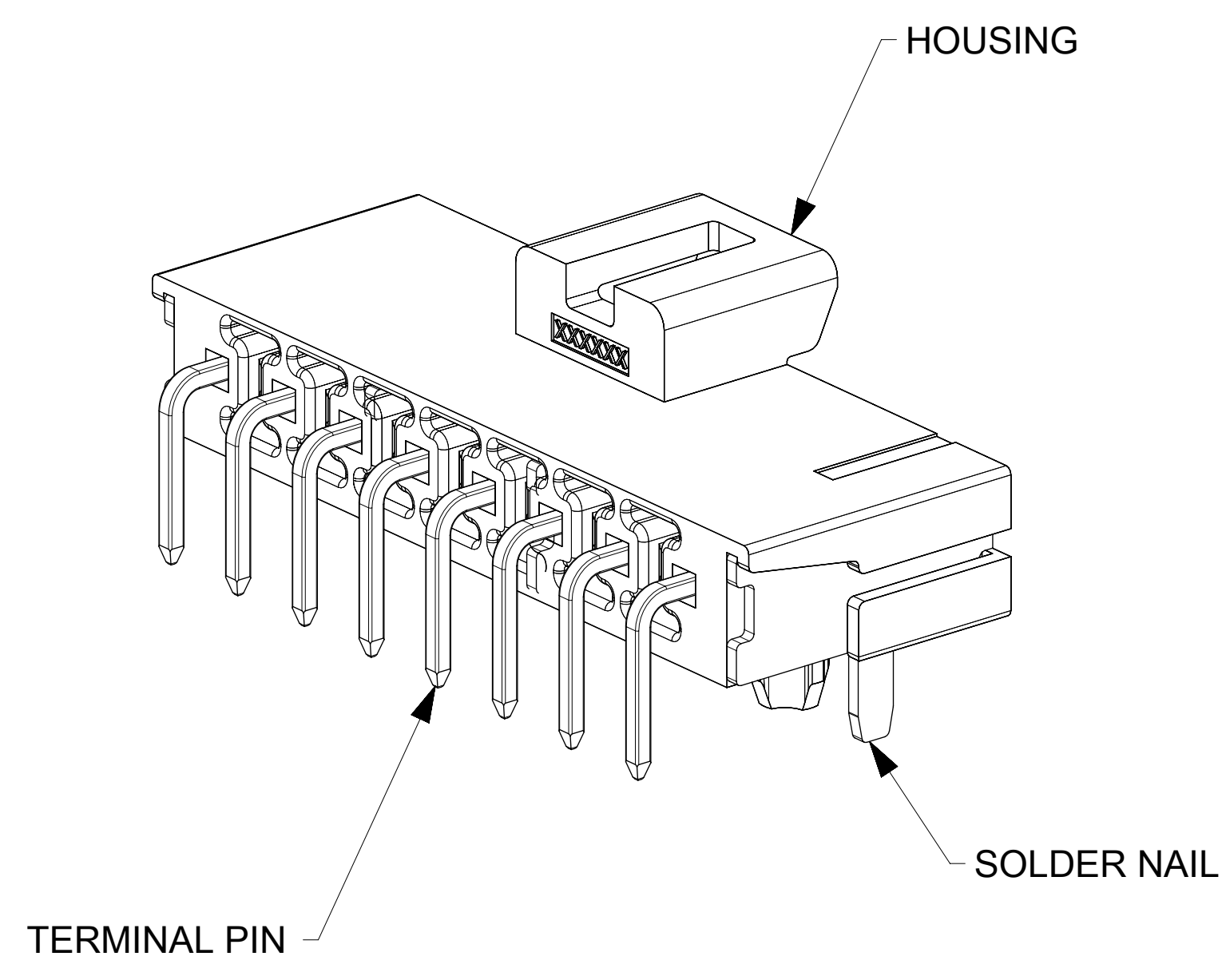
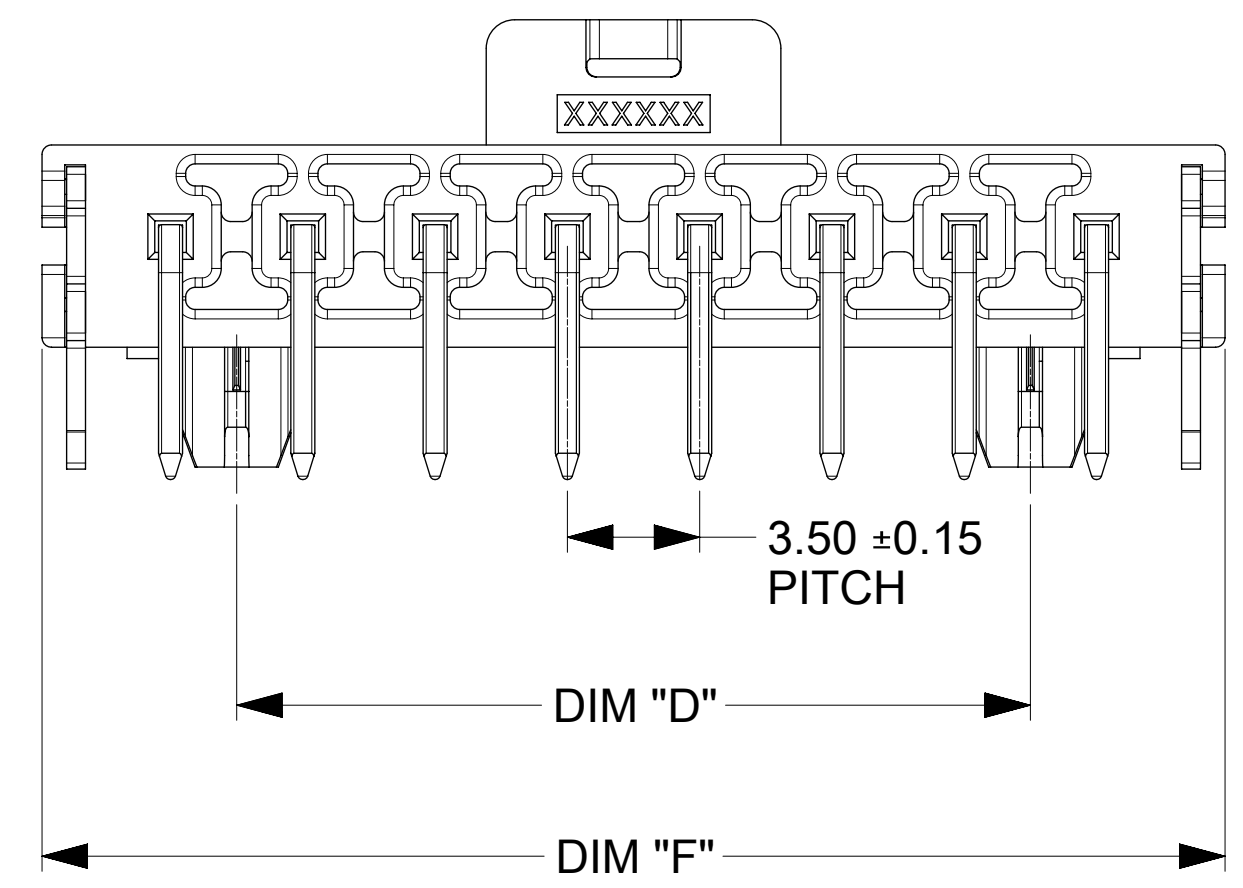


DATE CODE LOCATION
SEE NOTE 6

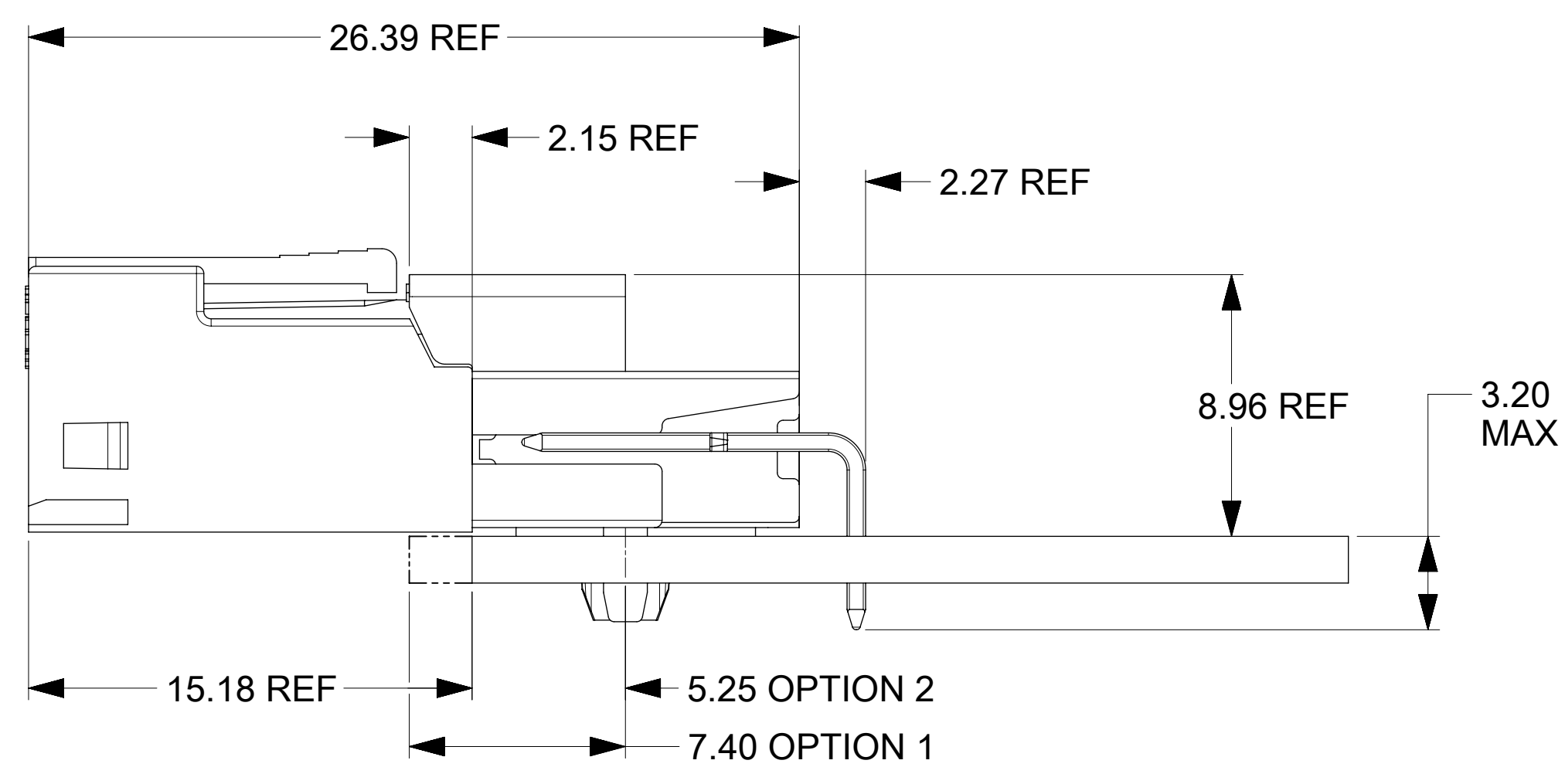


SECTION A-A
SCALE 8:1



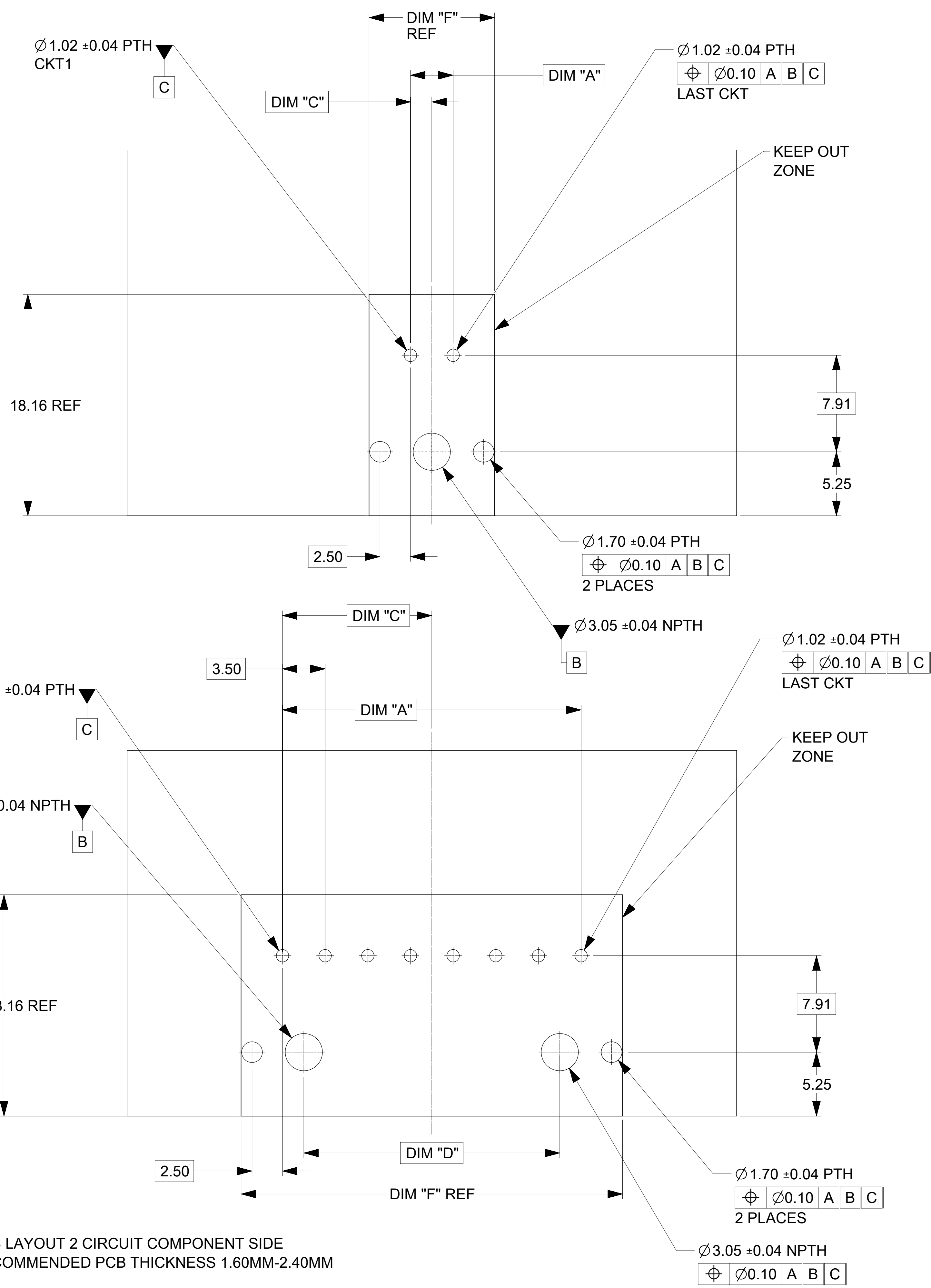
NOTES:

- MATERIAL :
HOUSING:
OPTION 1: LCP BLACK, UL94V-0
OPTION 2: LCP NATURAL, UL94V-0
TERMINAL: COPPER ALLOY
- PLATING FINISH:
OPTION 1 - 1.5µm(60µin)-2.5µm(100µin) REFLOW MATTE TIN OVER
1.25µm(50µin)-2.5µm(100µin) NICKEL OVERALL
OPTION 2 - 0.35µm(15µin) GOLD CONTACT AREA,
1.5µm(60µin)-2.5µm(100µin) MATTE TIN OVER
1.25µm(50µin)-2.5µm(100µin) NICKEL OVERALL
OPTION 3 - 0.70µm(30µin) GOLD CONTACT AREA,
1.5µm(60µin)-2.5µm(100µin) MATTE TIN OVER
1.25µm(50µin)-2.5µm(100µin) NICKEL OVERALL
- PARTS TO BE PACKAGED PER CHART FOR DETAIL
- PRODUCT SPECIFICATION PS-172323-0001
- PART MATES WITH MOLEX RECEPTACLE HOUSING 172256 AND 172260
- PART CONFORMS TO CLASS "C" REQUIREMENTS OF MOLEX COSMETIC SPECIFICATION.
PS-45499-002 WITH 0.13 MM MAXIMUM FLASH ALLOWED IN CORE HOLES AND FRONT SURFACE.
- LASER MARK CODE IN A FORMAT DDD
- PARTS ARE NOT DESIGNED FOR CURRENT SHARING.



OPTION 1: LATCH FLUSH WITH PCB EDGE
OPTION 2: HOUSING BODY FLUSH WITH PCB EDGE

SYMBOLS	THIS DRAWING CONTAINS INFORMATION THAT IS PROPRIETARY TO MOLEX ELECTRONIC TECHNOLOGIES, LLC AND SHOULD NOT BE USED WITHOUT WRITTEN PERMISSION		CURRENT REV DESC:		molex
	DIMENSION UNITS	SCALE			
▽ = 0	mm	5:1			ULTRA-FIT SR R/A HEAD SN ASSY
▽ = 0	GENERAL TOLERANCES (UNLESS SPECIFIED)				PRODUCT CUSTOMER DRAWING
▽ = 0	ANGULAR TOL ± °				DOCUMENT NUMBER
▽ = 0	4 PLACES ±		EC NO: 767102		1723102000
▽ = 0	3 PLACES ±		DRWN: LEOW 2023/07/19		DOC TYPE
▽ = 0	2 PLACES ± 0.13		CHK'D: XQZHANG 2023/10/30		DOC PART
▽ = 0	1 PLACE ± 0.25		APPR: XQZHANG 2023/10/30		REVISION
▽ = 0	0 PLACES ±		INITIAL REVISION:		B2
☒ = 0	1 PLACE ±		DRWN: PPerez03 2016/02/22		MATERIAL NUMBER
☒ = 0	0 PLACES ±		APPR: RHODGE 2016/06/21		
■ = 0	DRAFT WHERE APPLICABLE MUST REMAIN WITHIN DIMENSIONS		THIRD ANGLE PROJECTION		SHEET NUMBER
▽ = 0			DRAWING SERIES		
			D-SIZE 172310		



PCB LAYOUT 2 CIRCUIT COMPONENT SIDE
RECOMMENDED PCB THICKNESS 1.60MM-2.40MM

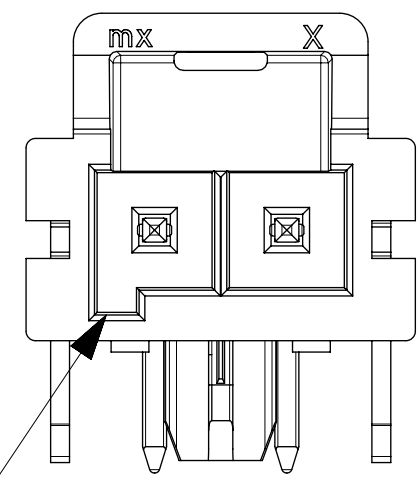
TIN PLATING								
PART NO.	COLOR	CIRCUIT SIZE	KEY OPTION	DIM A	DIM F	DIM C	DIM D	PACKING SPEC
172310-3102	BLACK	2	KEY A	3.50	10.30	1.75	0.00	PK-172310-9001
172310-3103	BLACK	3	KEY A	7.00	13.80	3.50	0.00	
172310-3104	BLACK	4	KEY A	10.50	17.30	5.25	7.00	
172310-3105	BLACK	5	KEY A	14.00	20.80	7.00	10.50	
172310-3106	BLACK	6	KEY A	17.50	24.30	8.75	14.00	
172310-3107	BLACK	7	KEY A	21.00	27.80	10.50	17.50	
172310-3108	BLACK	8	KEY A	24.50	31.30	12.25	21.00	
172310-4102	NATURAL	2	KEY B	3.50	10.30	1.75	0.00	
172310-4103	NATURAL	3	KEY B	7.00	13.80	3.50	0.00	
172310-4104	NATURAL	4	KEY B	10.50	17.30	5.25	7.00	
172310-4105	NATURAL	5	KEY B	14.00	20.80	7.00	10.50	
172310-4106	NATURAL	6	KEY B	17.50	24.30	8.75	14.00	
172310-4107	NATURAL	7	KEY B	21.00	27.80	10.50	17.50	
172310-4108	NATURAL	8	KEY B	24.50	31.30	12.25	21.00	
172310-8103	BLACK	3	KEY A	7.00	13.80	3.50	0.00	1723108000-PK
172310-9103	NATURAL	3	KEY B	7.00	13.80	3.50	0.00	

15 MICROINCH GOLD PLATING								
PART NO.	COLOR	CIRCUIT SIZE	KEY OPTION	DIM A	DIM F	DIM C	DIM D	PACKING SPEC
172310-3202	BLACK	2	KEY A	3.50	10.30	1.75	0.00	PK-172310-9001
172310-3203	BLACK	3	KEY A	7.00	13.80	3.50	0.00	
172310-3204	BLACK	4	KEY A	10.50	17.30	5.25	7.00	
172310-3205	BLACK	5	KEY A	14.00	20.80	7.00	10.50	
172310-3206	BLACK	6	KEY A	17.50	24.30	8.75	14.00	
172310-3207	BLACK	7	KEY A	21.00	27.80	10.50	17.50	
172310-3208	BLACK	8	KEY A	24.50	31.30	12.25	21.00	
172310-4202	NATURAL	2	KEY B	3.50	10.30	1.75	0.00	
172310-4203	NATURAL	3	KEY B	7.00	13.80	3.50	0.00	
172310-4204	NATURAL	4	KEY B	10.50	17.30	5.25	7.00	
172310-4205	NATURAL	5	KEY B	14.00	20.80	7.00	10.50	
172310-4206	NATURAL	6	KEY B	17.50	24.30	8.75	14.00	
172310-4207	NATURAL	7	KEY B	21.00	27.80	10.50	17.50	
172310-4208	NATURAL	8	KEY B	24.50	31.30	12.25	21.00	
172310-8203	BLACK	3	KEY A	7.00	13.80	3.50	0.00	1723108000-PK
172310-9203	NATURAL	3	KEY B	7.00	13.80	3.50	0.00	

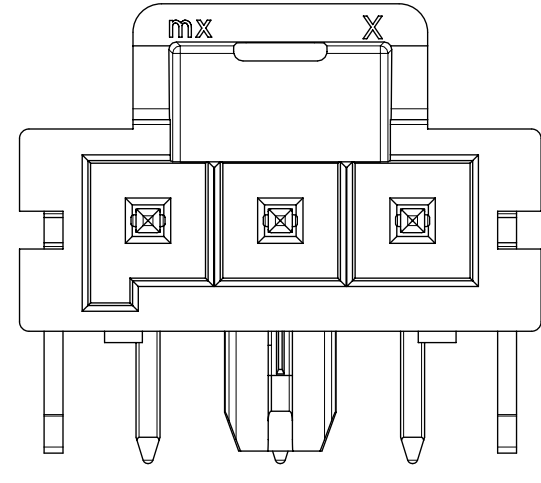
30 MICROINCH PLATING								
PART NO.	COLOR	CIRCUIT SIZE	KEY OPTION	DIM A	DIM F	DIM C	DIM D	PACKING SPEC
172310-3302	BLACK	2	KEY A	3.50	10.30	1.75	0.00	PK-172310-9001
172310-3303	BLACK	3	KEY A	7.00	13.80	3.50	0.00	
172310-3304	BLACK	4	KEY A	10.50	17.30	5.25	7.00	
172310-3305	BLACK	5	KEY A	14.00	20.80	7.00	10.50	
172310-3306	BLACK	6	KEY A	17.50	24.30	8.75	14.00	
172310-3307	BLACK	7	KEY A	21.00	27.80	10.50	17.50	
172310-3308	BLACK	8	KEY A	24.50	31.30	12.25	21.00	
172310-4302	NATURAL	2	KEY B	3.50	10.30	1.75	0.00	
172310-4303	NATURAL	3	KEY B	7.00	13.80	3.50	0.00	
172310-4304	NATURAL	4	KEY B	10.50	17.30	5.25	7.00	
172310-4305	NATURAL	5	KEY B	14.00	20.80	7.00	10.50	
172310-4306	NATURAL	6	KEY B	17.50	24.30	8.75	14.00	
172310-4307	NATURAL	7	KEY B	21.00	27.80	10.50	17.50	
172310-4308	NATURAL	8	KEY B	24.50	31.30	12.25	21.00	
172310-8303	BLACK	3	KEY A	7.00	13.80	3.50	0.00	1723108000-PK
172310-9303	NATURAL	3	KEY B	7.00	13.80	3.50	0.00	

SYMBOLS	THIS DRAWING CONTAINS INFORMATION THAT IS PROPRIETARY TO MOLEX ELECTRONIC TECHNOLOGIES, LLC AND SHOULD NOT BE USED WITHOUT WRITTEN PERMISSION		CURRENT REV DESC:		
	DIMENSION UNITS	SCALE			
▽ = 0	mm	5:1			ULTRA-FIT SR R/A HEAD SN ASSY PRODUCT CUSTOMER DRAWING
▽ = 0	GENERAL TOLERANCES (UNLESS SPECIFIED)				
▽ = 0	ANGULAR TOL	±			EC NO: 767102 DRWN: LEOW 2023/07/19 CHK'D: XQZHANG 2023/10/30 APPR: XQZHANG 2023/10/30
▽ = 0	4 PLACES	±			
▽ = 0	3 PLACES	±			INITIAL REVISION: DRWN: PPerez03 2016/02/22 APPR: RHODGE 2016/06/21
▽ = 0	2 PLACES	± 0.13			
▽ = 0	1 PLACE	± 0.25			DOCUMENT NUMBER: 1723102000 DOC TYPE: PSD DOC PART: 000 REVISION: B2
▽ = 0	0 PLACES	±			
■ = 0	DRAFT WHERE APPLICABLE MUST REMAIN WITHIN DIMENSIONS	THIRD ANGLE PROJECTION	DRAWING	SERIES	MATERIAL NUMBER: 172310 CUSTOMER:
▽ = 0			D-SIZE	172310	

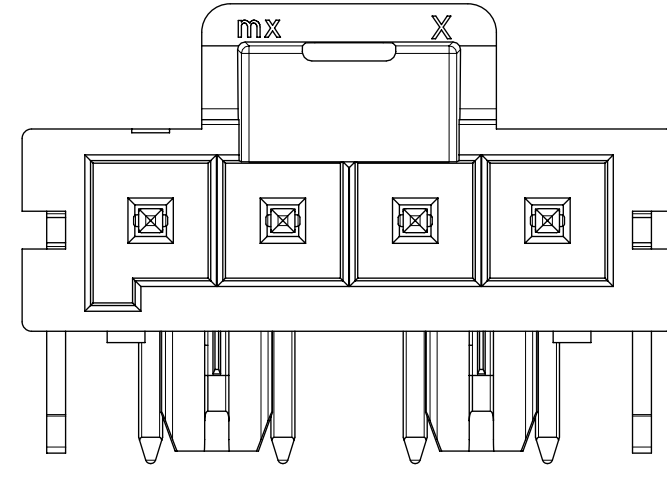
KEY A (BLACK)



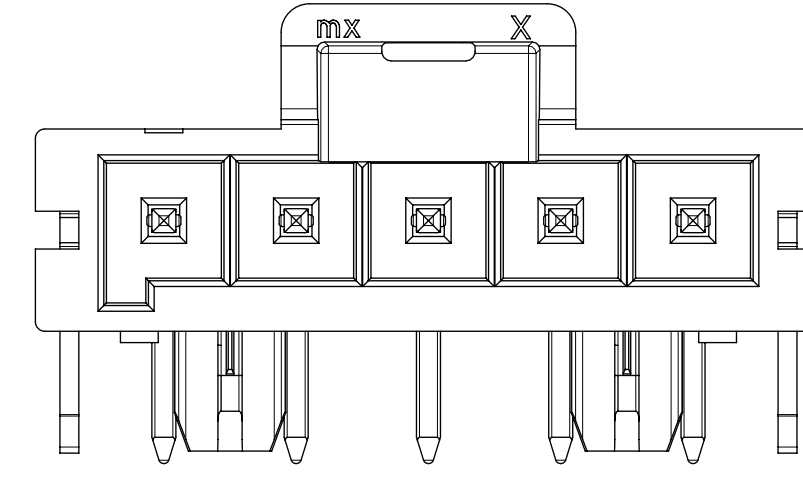
2CKT



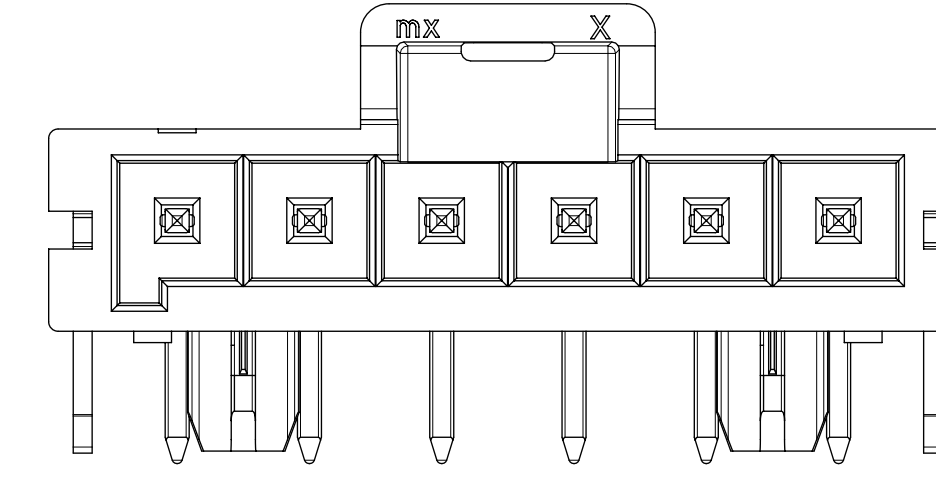
3CKT



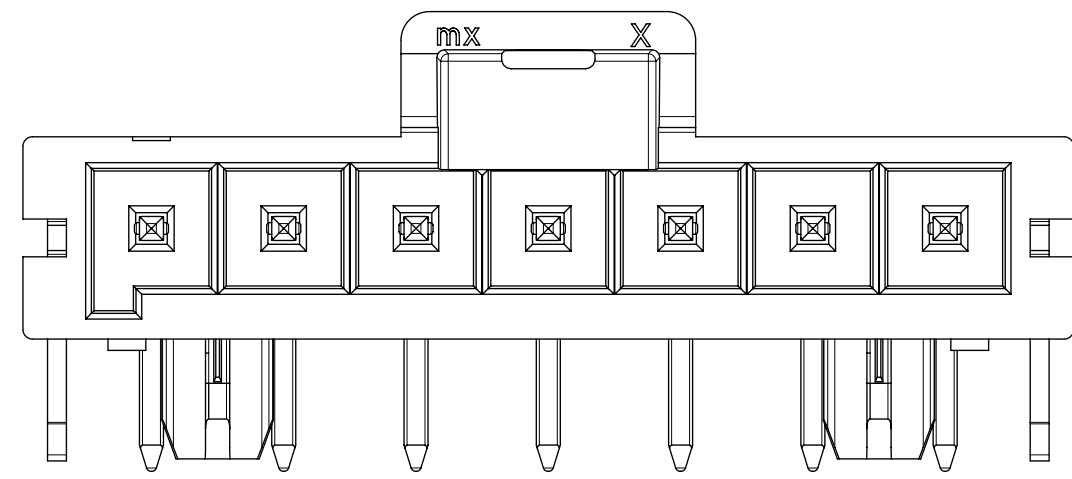
4CKT



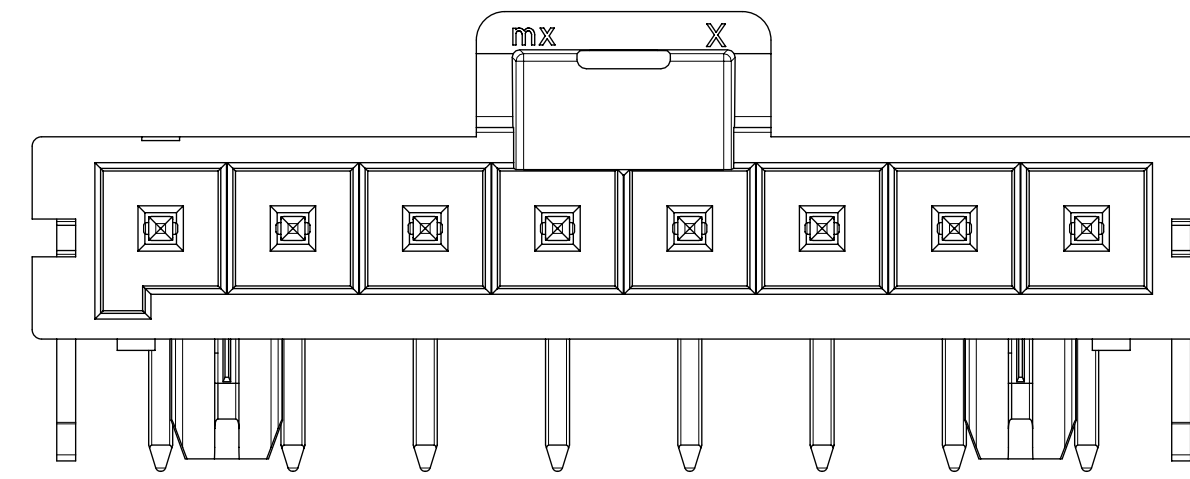
5CKT



6CKT

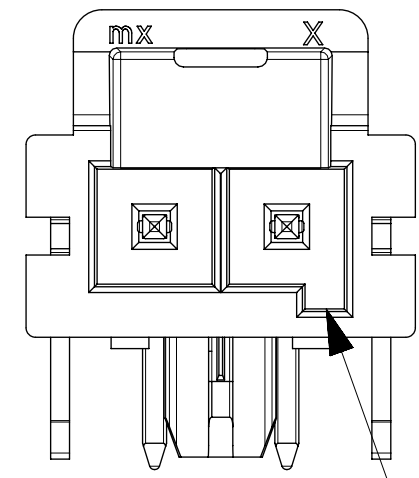


7CKT

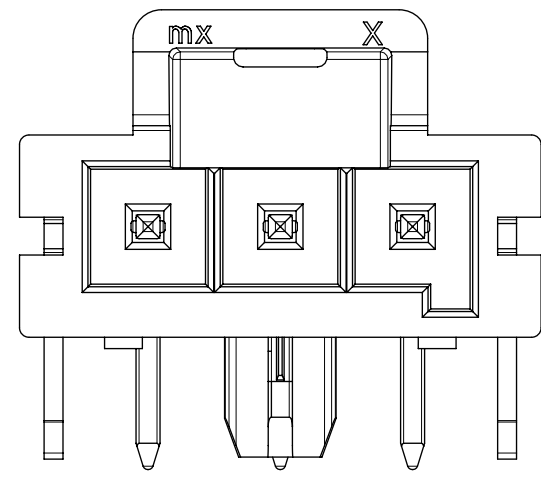


8CKT

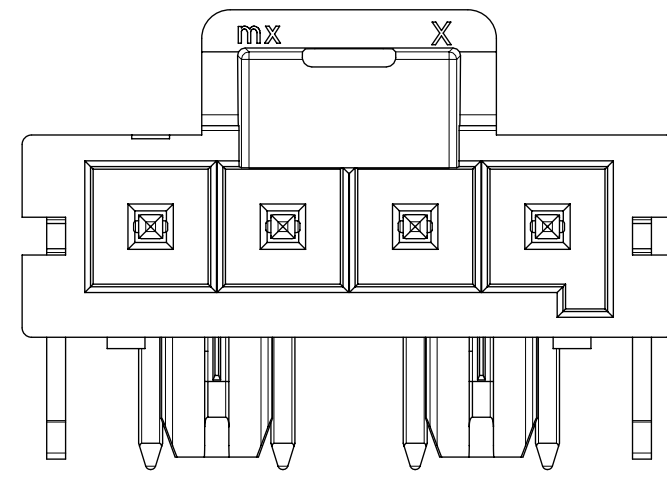
BLACK



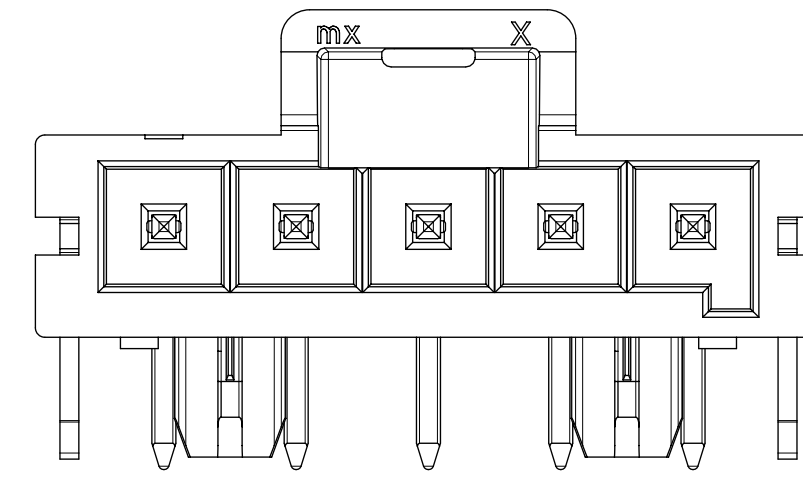
2 CKT



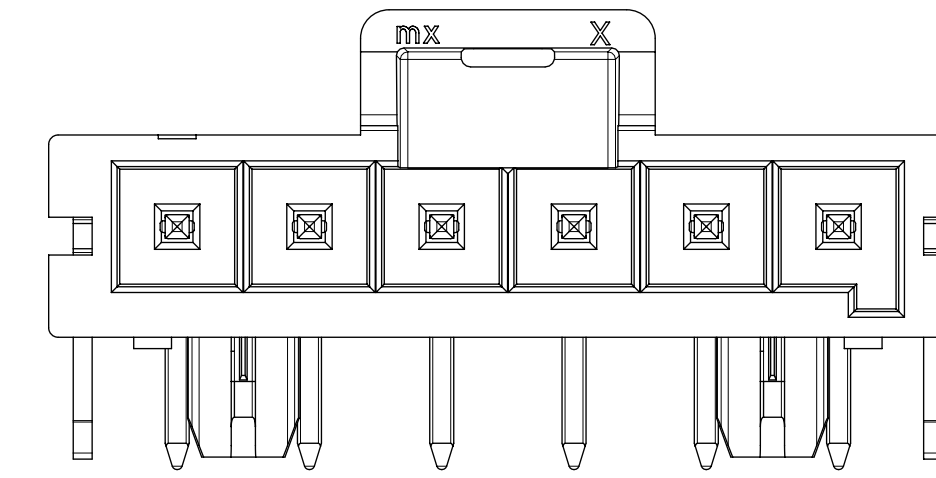
3 CKT



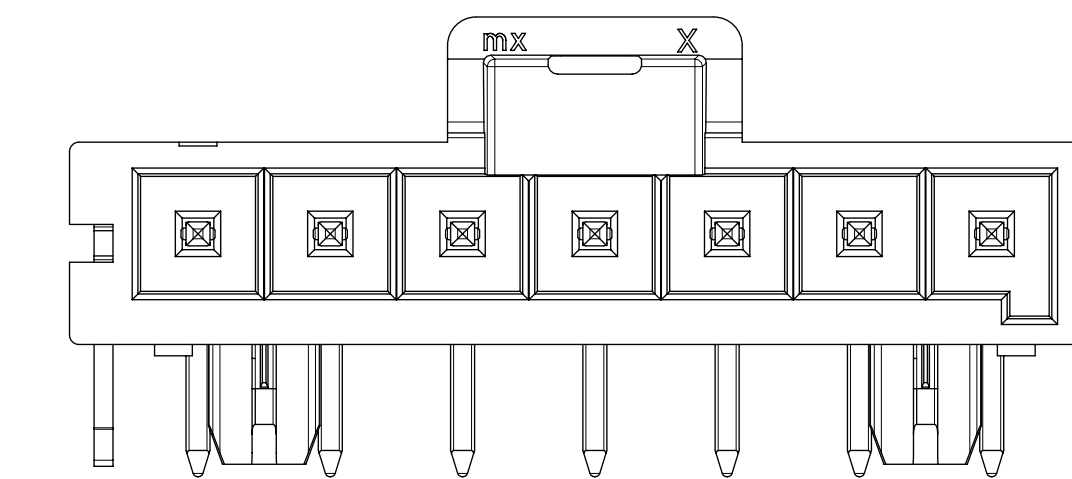
4 CKT



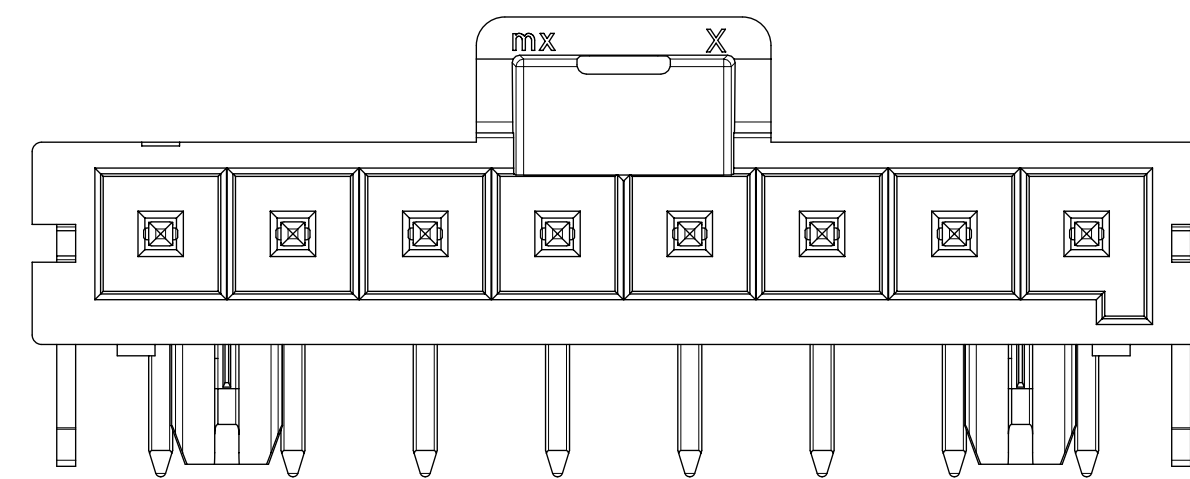
5 CKT



6 CKT



7 CKT



8 CKT

NATURAL

COLOR-POLARIZATION

SYMBOLS	THIS DRAWING CONTAINS INFORMATION THAT IS PROPRIETARY TO MOLEX ELECTRONIC TECHNOLOGIES, LLC AND SHOULD NOT BE USED WITHOUT WRITTEN PERMISSION		CURRENT REV DESC:		
	DIMENSION UNITS	SCALE			
▽ = 0	mm	5:1			ULTRA-FIT SR R/A HEAD SN ASSY
▽ = 0	GENERAL TOLERANCES (UNLESS SPECIFIED)				PRODUCT CUSTOMER DRAWING
▽ = 0	ANGULAR TOL	± °			DOCUMENT NUMBER
▽ = 0	4 PLACES	±			1723102000
▽ = 0	3 PLACES	±			DOC TYPE
▽ = 0	2 PLACES	± 0.13			PSD
▽ = 0	1 PLACE	± 0.25			000
▽ = 0	0 PLACES	±			B2
■ = 0	DRAFT WHERE APPLICABLE MUST REMAIN WITHIN DIMENSIONS		THIRD ANGLE PROJECTION	DRAWING	SHEET NUMBER
▽ = 0				D-SIZE	3 OF 3
			SERIES	172310	
			EC NO: 767102		
			DRWN: LEOW	2023/07/19	
			CHK'D: XQZHANG	2023/10/30	
			APPR: XQZHANG	2023/10/30	
			INITIAL REVISION:		
			DRWN: PPerez03	2016/02/22	
			APPR: RHODGE	2016/06/21	
			MATERIAL NUMBER	CUSTOMER	