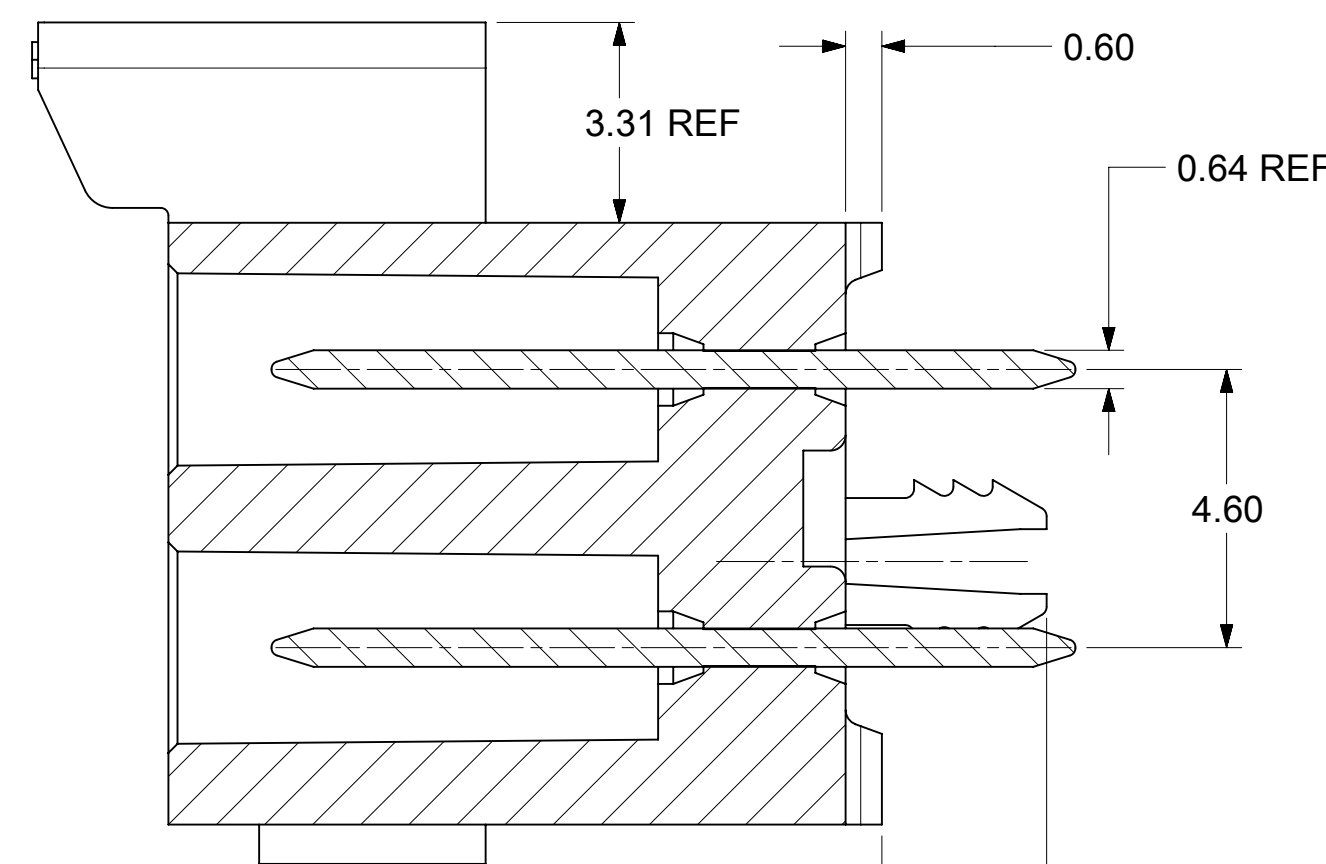
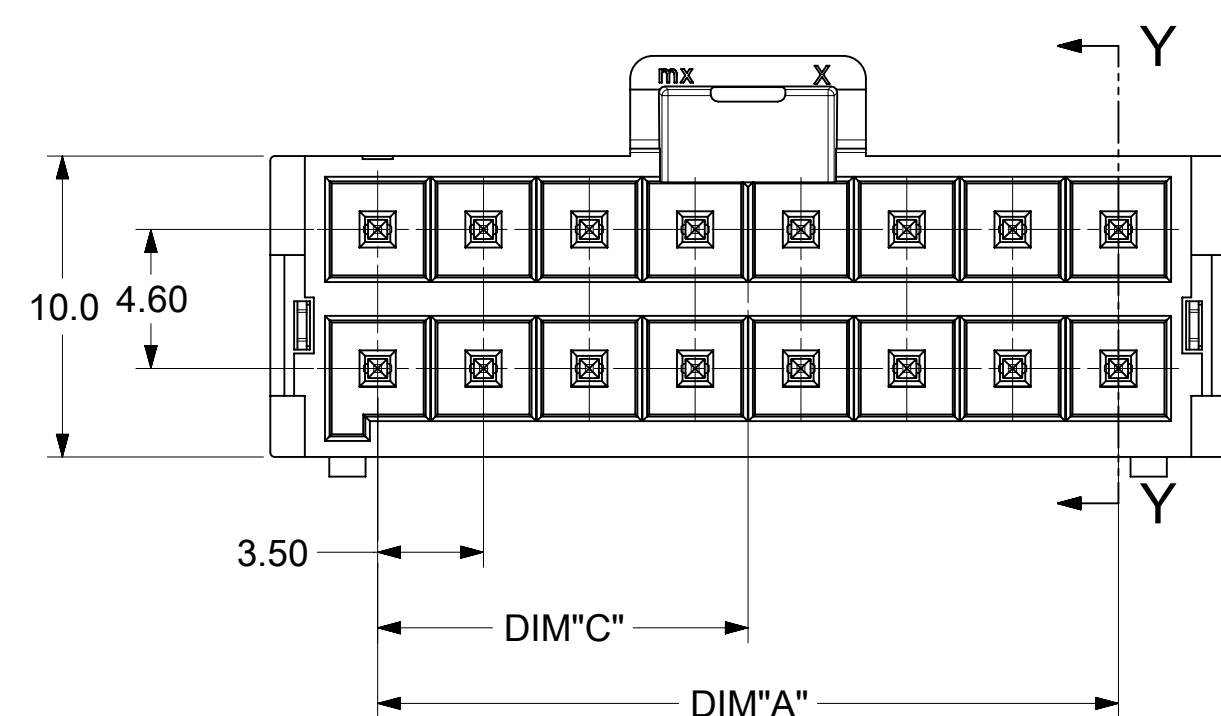
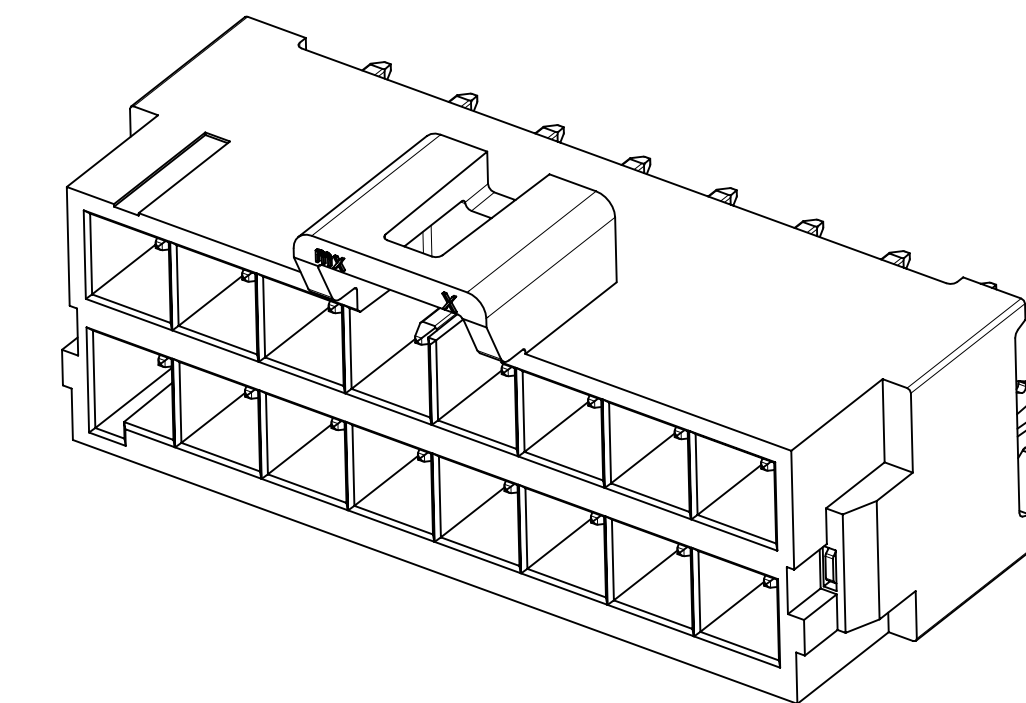
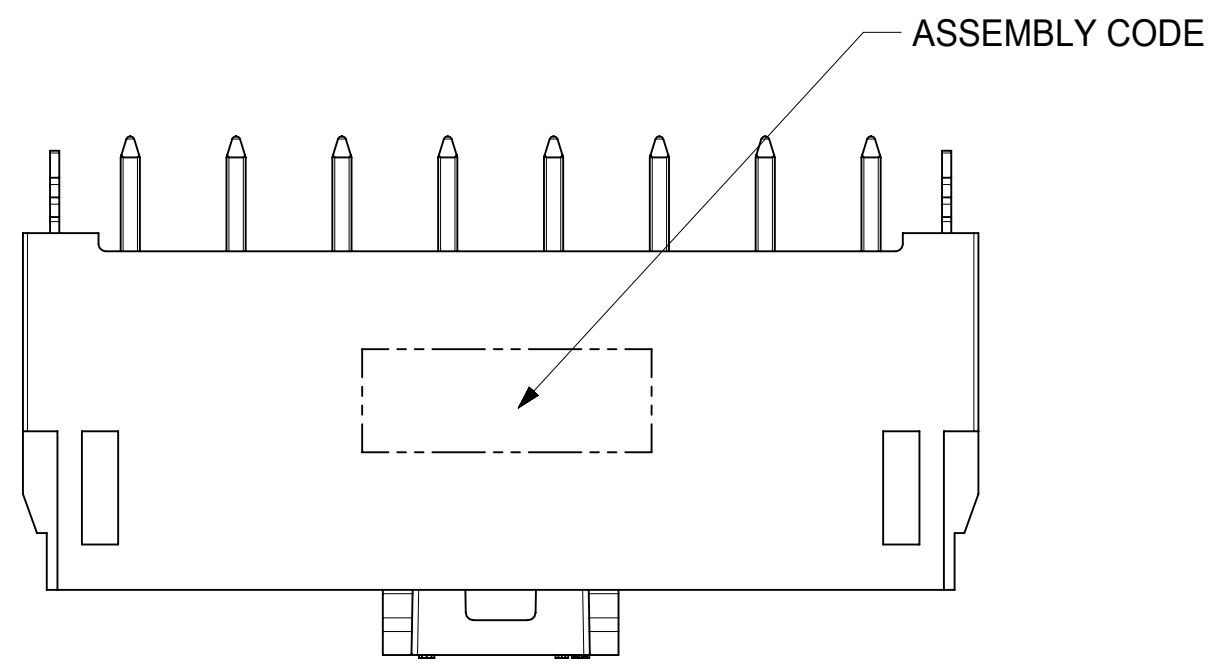
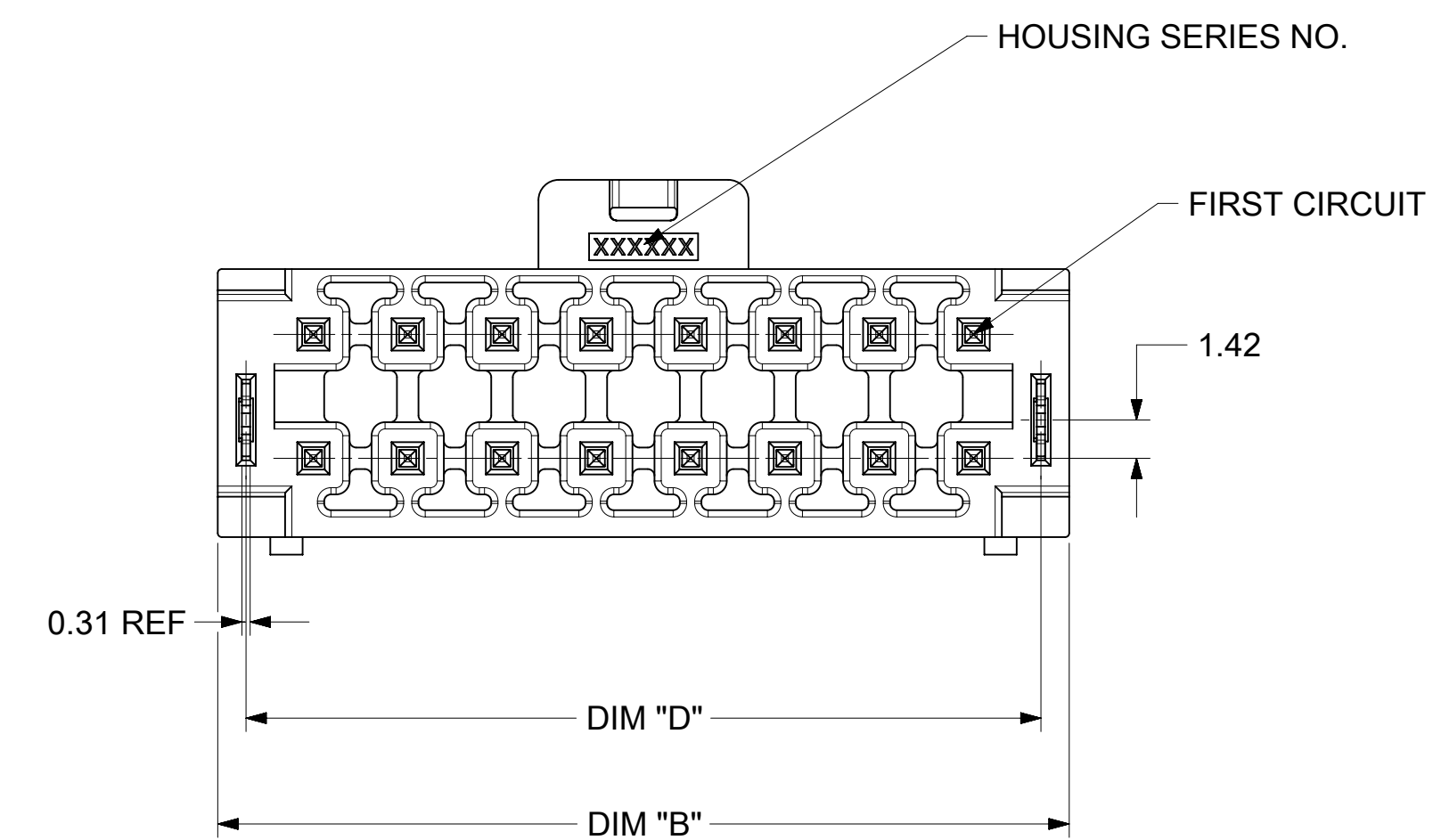


FIRST CIRCUIT MARK
(NOT SHOWING ON 4
AND 6 CIRCUITS SERIES)

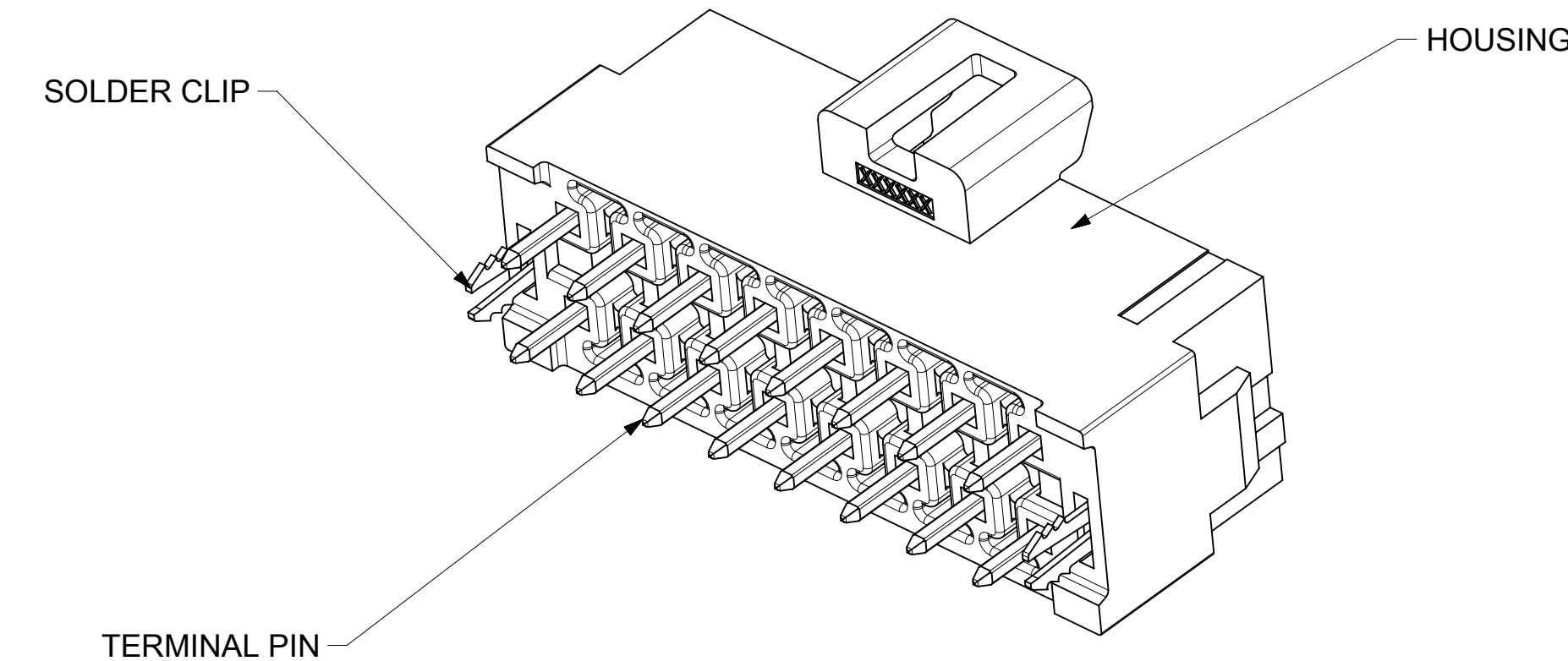
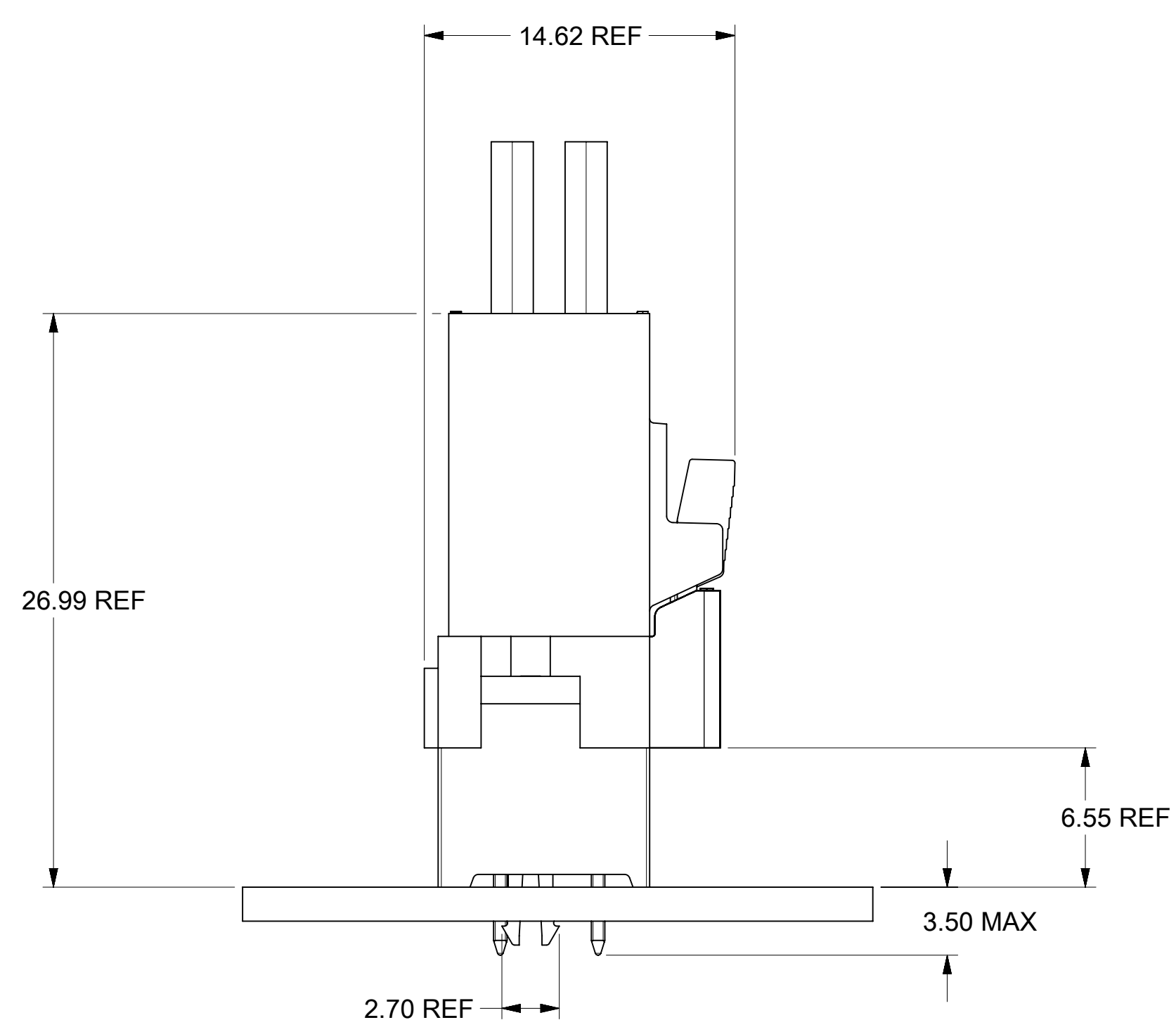


SECTION Y-Y
SCALE 8:1

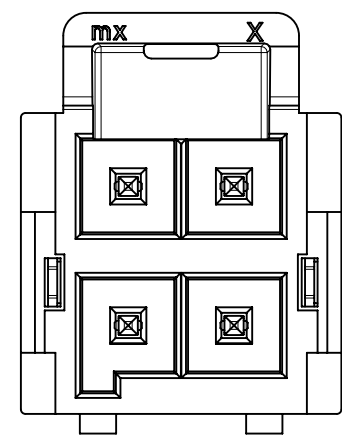


NOTES:

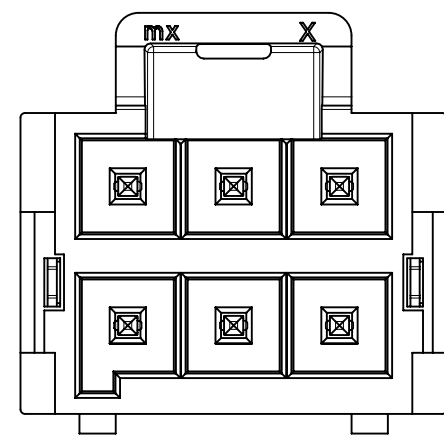
- MATERIAL:
HOUSING
OPTION 1: LCP BLACK, UL94 V-0
OPTION 2: LCP NATURAL, UL94 V-0
TERMINAL: COPPER ALLOY
- PLATING FINISH:
OPTION 1 - 1.5µm(60µin)-2.5µm(100µin) TIN OVER
1.25µm(50µin)-2.5µm(100µin) NICKEL OVERALL
OPTION 2 - 0.35µm(15µin) GOLD CONTACT AREA,
1.5µm(60µin)-2.5µm(100µin) TIN TAIL AREA OVER
1.25µm(50µin)-2.5µm(100µin) NICKEL OVERALL
OPTION 3 - 0.70µm(30µin) GOLD CONTACT AREA,
1.5µm(60µin)-2.5µm(100µin) TIN TAIL AREA OVER
1.25µm(50µin)-2.5µm(100µin) NICKEL OVERALL
- PARTS TO BE PACKAGED PER CHART FOR DETAIL
- PRODUCT SPECIFICATION PS-172323-0001
- PART MATES WITH MOLEX RECEPTACLE HOUSING
172258 AND 172262
- PART CONFORMS TO CLASS "C" REQUIREMENTS OF SPECIFICATION
PS-45499-002 WITH 0.13 MM MAXIMUM FLASH ALLOWED IN CORE
HOLES AND FRONT SURFACE.
- DISCOLORATION IN THE BANDOLIER AREA OF THE PIN IS
INHERENT TO THE PLATING PROCESS AND IS DUE TO THE MASKING
EFFECT OF THE CARRIER. THIS DISCOLORATION IS IN A NON-FUNCTIONAL
AREA OF THE PIN AND WILL NOT AFFECT THE PERFORMANCE OF THE
HEADER ASSEMBLY.
- APPLICATION SPECIFICATION: AS-172323-0001



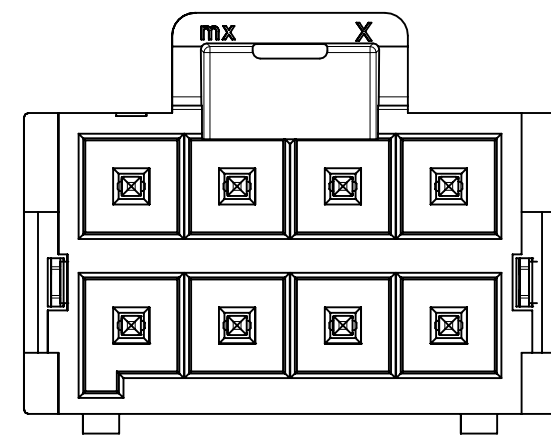
THIS DRAWING CONTAINS INFORMATION THAT IS PROPRIETARY TO MOLEX ELECTRONIC TECHNOLOGIES, LLC AND SHOULD NOT BE USED WITHOUT WRITTEN PERMISSION									
DIMENSION UNITS		SCALE		CURRENT REV DESC:					
mm		NTS							
GENERAL TOLERANCES (UNLESS SPECIFIED)									
ANGULAR TOL				± °					
4 PLACES		±		EC NO: 755556					
3 PLACES		±		DRWN: LEOW 2023/05/12					
2 PLACES		± 0.25		CHK'D: XQZHANG 2023/07/05					
1 PLACE		± 0.5		APPR: XQZHANG 2023/07/05					
0 PLACES		±		INITIAL REVISION:					
DRAFT WHERE APPLICABLE		THIRD ANGLE PROJECTION		DRWN: DROSCA 2014/03/04		2014/04/24			
MUST REMAIN WITHIN DIMENSIONS		DRAWING		SERIES		MATERIAL NUMBER			
		D-SIZE		172299		CUSTOMER			
				GENERAL MARKET		SHEET NUMBER			
						1 OF 3			



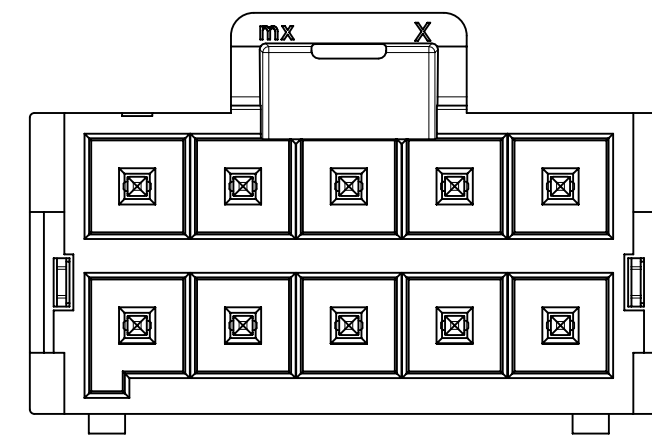
4 CKT



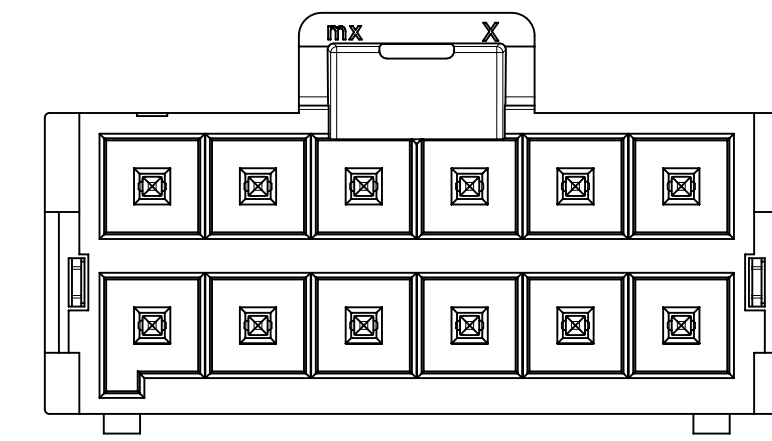
6 CKT



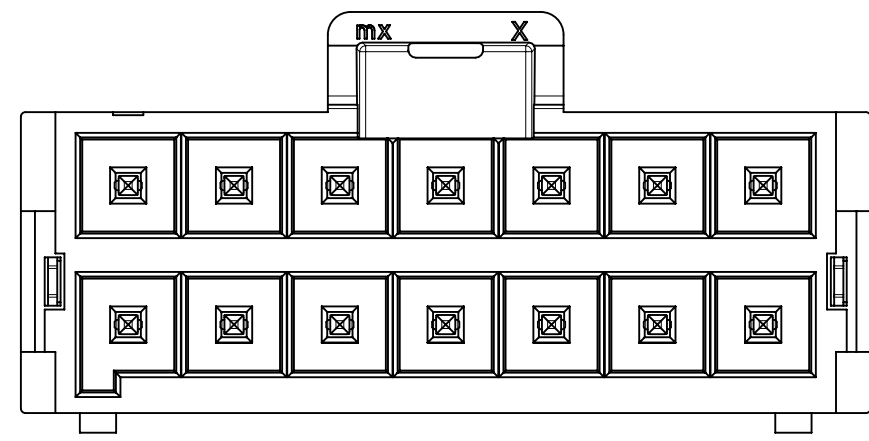
8 CKT



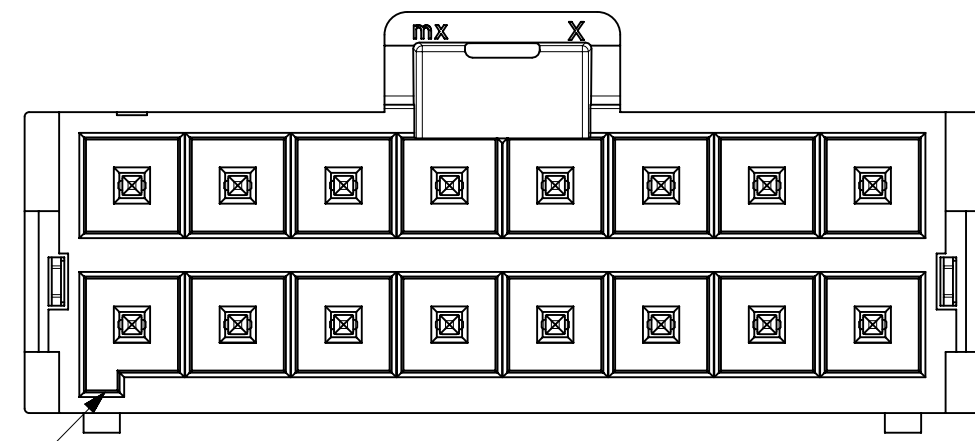
10 CKT



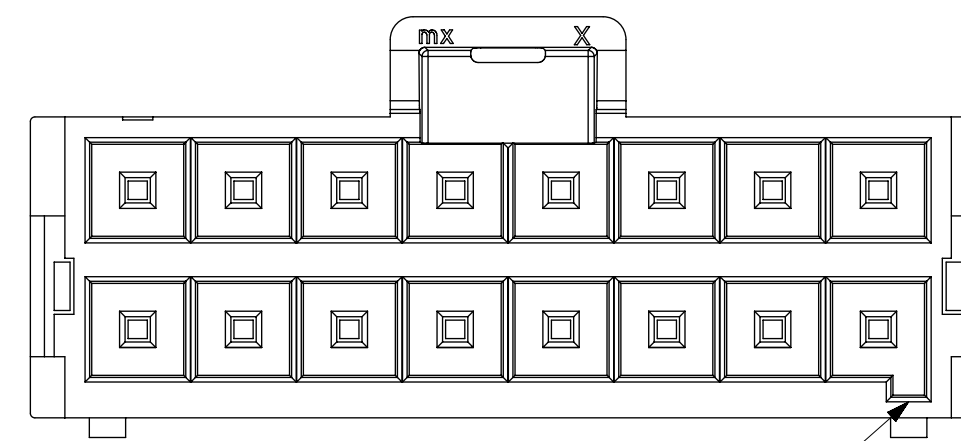
12 CKT



14 CKT

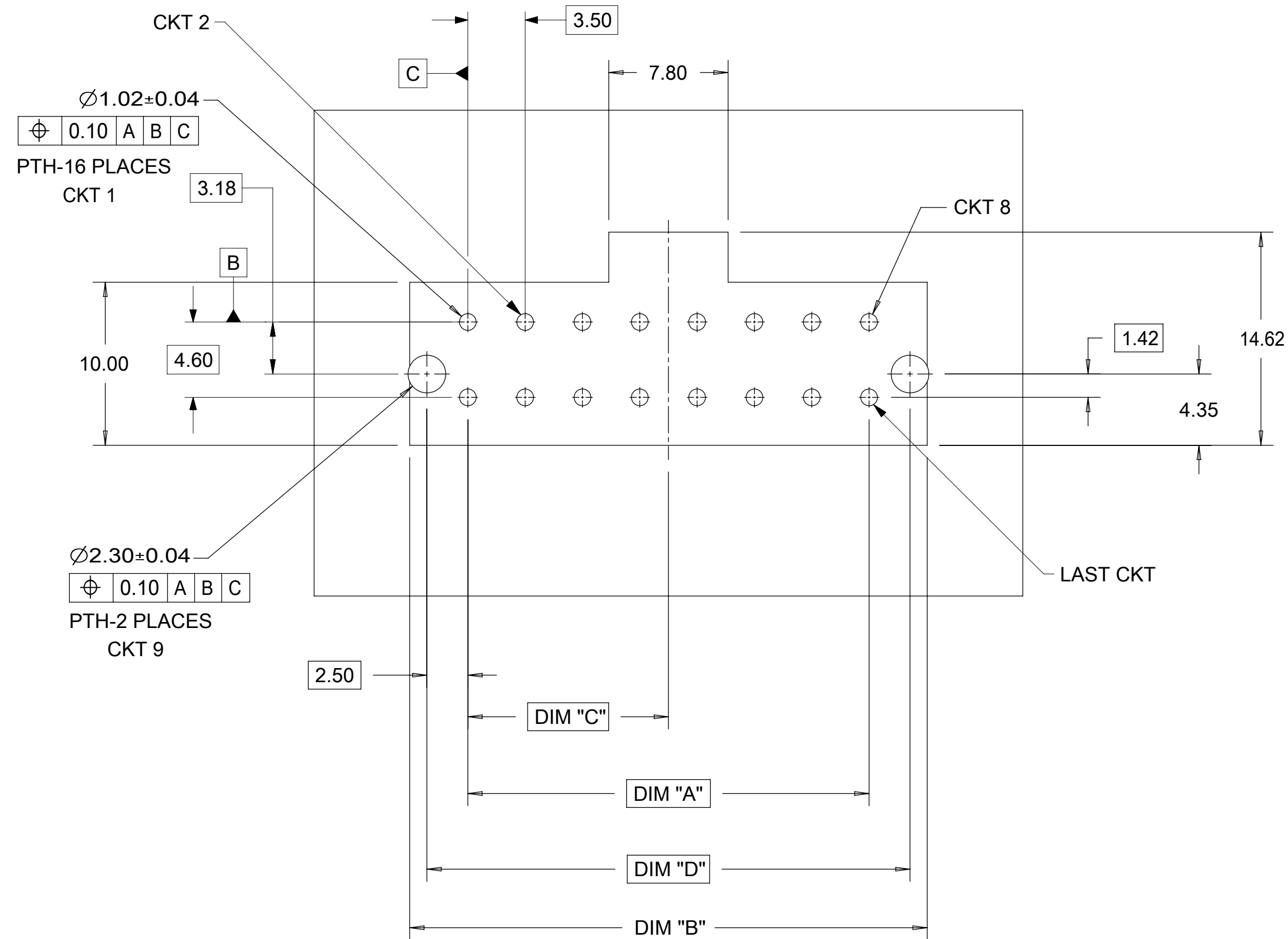


16 CKT



KEY B
(NATURAL)

KEY A
(BLACK)



PCB LAYOUT COMPONENT SIDE
RECOMENDED PCB THICKNESS 1.60MM-2.40MM

NOTE: DATUM -A- IS ON PCB COMPONENT SIDE

THIS DRAWING CONTAINS INFORMATION THAT IS PROPRIETARY TO MOLEX ELECTRONIC TECHNOLOGIES, LLC AND SHOULD NOT BE USED WITHOUT WRITTEN PERMISSION									
DIMENSION UNITS		SCALE		CURRENT REV DESC:					
mm		NTS							
GENERAL TOLERANCES (UNLESS SPECIFIED)									
ANGULAR TOL				°					
4 PLACES				±					
3 PLACES				±					
2 PLACES				± 0.25					
1 PLACE				± 0.5					
0 PLACES				±					
DRAFT WHERE APPLICABLE MUST REMAIN WITHIN DIMENSIONS				THIRD ANGLE PROJECTION		DRAWING		SERIES	
						D-SIZE		172299	
				MATERIAL NUMBER		CUSTOMER		SHEET NUMBER	
				SD-172299-1000		GENERAL MARKET		2 OF 3	
				DOCUMENT NUMBER		DOC TYPE		REVISION	
				PSD		000		C2	
				EC NO: 755556		2023/05/12			
				DRWN: LEOW		2023/07/05			
				CHK'D: XQZHANG		2023/07/05			
				APPR: XQZHANG		2023/07/05			
				INITIAL REVISION:					
				DRWN: DROSCA		2014/03/04			
				APPR: JCOMERCI		2014/04/24			

molex

ULTRA-FIT VERT HEADER
4-16 CKTS DUAL ROW WITH SOLDER CLIP

PRODUCT CUSTOMER DRAWING

DOCUMENT NUMBER	DOC TYPE	DOC PART	REVISION
SD-172299-1000	PSD	000	C2

DOCUMENT STATUS	P1	RELEASE DATE	2023/07/05	22:45:52
-----------------	----	--------------	------------	----------

TIN PLATING									
PART NO.	KAPTON TAPE	COLOR	CIRCUIT SIZE	KEY OPTION	DIM A	DIM B	DIM C	DIM D	PACKING SPEC
172299-1104	WITHOUT	BLACK	4	KEY A	3.50	10.60	1.75	8.50	PK-172299-9001
172299-1106	WITHOUT	BLACK	6	KEY A	7.00	14.10	3.50	12.00	
172299-1108	WITHOUT	BLACK	8	KEY A	10.50	17.60	5.25	15.50	
172299-1110	WITHOUT	BLACK	10	KEY A	14.00	21.10	7.00	19.00	
172299-1112	WITHOUT	BLACK	12	KEY A	17.50	24.60	8.75	22.50	
172299-1114	WITHOUT	BLACK	14	KEY A	21.00	28.10	10.50	26.00	
172299-1116	WITHOUT	BLACK	16	KEY A	24.50	31.60	12.25	29.50	
172299-2104	WITHOUT	NATURAL	4	KEY B	3.50	10.60	1.75	8.50	
172299-2106	WITHOUT	NATURAL	6	KEY B	7.00	14.10	3.50	12.00	
172299-2108	WITHOUT	NATURAL	8	KEY B	10.50	17.60	5.25	15.50	
172299-2110	WITHOUT	NATURAL	10	KEY B	14.00	21.10	7.00	19.00	
172299-2112	WITHOUT	NATURAL	12	KEY B	17.50	24.60	8.75	22.50	
172299-2114	WITHOUT	NATURAL	14	KEY B	21.00	28.10	10.50	26.00	
172299-2116	WITHOUT	NATURAL	16	KEY B	24.50	31.60	12.25	29.50	
172299-3104	WITH	BLACK	4	KEY A	3.50	10.60	1.75	8.50	
172299-3110	WITH	BLACK	10	KEY A	14.00	21.10	7.00	19.00	
172299-3114	WITH	BLACK	14	KEY A	21.00	28.10	10.50	26.00	
172299-4104	WITH	NATURAL	4	KEY B	3.50	10.60	1.75	8.50	
172299-4110	WITH	NATURAL	10	KEY B	14.00	21.10	7.00	19.00	
172299-4114	WITH	NATURAL	14	KEY B	21.00	28.10	10.50	26.00	
172299-8104	WITHOUT	BLACK	4	KEY A	3.50	10.60	1.75	8.50	
172299-8110	WITHOUT	BLACK	10	KEY A	14.00	21.10	7.00	19.00	
172299-8114	WITHOUT	BLACK	14	KEY A	21.00	28.10	10.50	26.00	
172299-9104	WITHOUT	NATURAL	4	KEY B	3.50	10.60	1.75	8.50	
172299-9110	WITHOUT	NATURAL	10	KEY B	14.00	21.10	7.00	19.00	
172299-9114	WITHOUT	NATURAL	14	KEY B	21.00	28.10	10.50	26.00	

30 MICROINCH GOLD PLATING									
PART NO.	KAPTON TAPE	COLOR	CIRCUIT SIZE	KEY OPTION	DIM A	DIM B	DIM C	DIM D	PACKING SPEC
172299-1304	WITHOUT	BLACK	4	KEY A	3.50	10.60	1.75	8.50	PK-172299-9001
172299-1306	WITHOUT	BLACK	6	KEY A	7.00	14.10	3.50	12.00	
172299-1308	WITHOUT	BLACK	8	KEY A	10.50	17.60	5.25	15.50	
172299-1310	WITHOUT	BLACK	10	KEY A	14.00	21.10	7.00	19.00	
172299-1312	WITHOUT	BLACK	12	KEY A	17.50	24.60	8.75	22.50	
172299-1314	WITHOUT	BLACK	14	KEY A	21.00	28.10	10.50	26.00	
172299-1316	WITHOUT	BLACK	16	KEY A	24.50	31.60	12.25	29.50	
172299-2304	WITHOUT	NATURAL	4	KEY B	3.50	10.60	1.75	8.50	
172299-2306	WITHOUT	NATURAL	6	KEY B	7.00	14.10	3.50	12.00	
172299-2308	WITHOUT	NATURAL	8	KEY B	10.50	17.60	5.25	15.50	
172299-2310	WITHOUT	NATURAL	10	KEY B	14.00	21.10	7.00	19.00	
172299-2312	WITHOUT	NATURAL	12	KEY B	17.50	24.60	8.75	22.50	
172299-2314	WITHOUT	NATURAL	14	KEY B	21.00	28.10	10.50	26.00	
172299-2316	WITHOUT	NATURAL	16	KEY B	24.50	31.60	12.25	29.50	
172299-7310	WITHOUT	BLACK	10	KEY A	14.00	21.10	7.00	19.00	
172299-7314	WITHOUT	BLACK	14	KEY A	21.00	28.10	10.50	26.00	
172299-3304	WITH	BLACK	4	KEY A	3.50	10.60	1.75	8.50	
172299-3310	WITH	BLACK	10	KEY A	14.00	21.10	7.00	19.00	
172299-3314	WITH	BLACK	14	KEY A	21.00	28.10	10.50	26.00	
172299-4304	WITH	NATURAL	4	KEY B	3.50	10.60	1.75	8.50	
172299-4310	WITH	NATURAL	10	KEY B	14.00	21.10	7.00	19.00	
172299-4314	WITH	NATURAL	14	KEY B	21.00	28.10	10.50	26.00	
172299-8304	WITHOUT	BLACK	4	KEY A	3.50	10.60	1.75	8.50	
172299-8310	WITHOUT	BLACK	10	KEY A	14.00	21.10	7.00	19.00	
172299-8314	WITHOUT	BLACK	14	KEY A	21.00	28.10	10.50	26.00	
172299-9304	WITHOUT	NATURAL	4	KEY B	3.50	10.60	1.75	8.50	
172299-9310	WITHOUT	NATURAL	10	KEY B	14.00	21.10	7.00	19.00	
172299-9314	WITHOUT	NATURAL	14	KEY B	21.00	28.10	10.50	26.00	

15 MICROINCH GOLD PLATING									
PART NO.	KAPTON TAPE	COLOR	CIRCUIT SIZE	KEY OPTION	DIM A	DIM B	DIM C	DIM D	PACKING SPEC
172299-1204	WITHOUT	BLACK	4	KEY A	3.50	10.60	1.75	8.50	PK-172299-9001
172299-1206	WITHOUT	BLACK	6	KEY A	7.00	14.10	3.50	12.00	
172299-1208	WITHOUT	BLACK	8	KEY A	10.50	17.60	5.25	15.50	
172299-1210	WITHOUT	BLACK	10	KEY A	14.00	21.10	7.00	19.00	
172299-1212	WITHOUT	BLACK	12	KEY A	17.50	24.60	8.75	22.50	
172299-1214	WITHOUT	BLACK	14	KEY A	21.00	28.10	10.50	26.00	
172299-1216	WITHOUT	BLACK	16	KEY A	24.50	31.60	12.25	29.50	
172299-2204	WITHOUT	NATURAL	4	KEY B	3.50	10.60	1.75	8.50	
172299-2206	WITHOUT	NATURAL	6	KEY B	7.00	14.10	3.50	12.00	
172299-2208	WITHOUT	NATURAL	8	KEY B	10.50	17.60	5.25	15.50	
172299-2210	WITHOUT	NATURAL	10	KEY B	14.00	21.10	7.00	19.00	
172299-2212	WITHOUT	NATURAL	12	KEY B	17.50	24.60	8.75	22.50	
172299-2214	WITHOUT	NATURAL	14	KEY B	21.00	28.10	10.50	26.00	
172299-2216	WITHOUT	NATURAL	16	KEY B	24.50	31.60	12.25	29.50	
172299-3204	WITH	BLACK	4	KEY A	3.50	10.60	1.75	8.50	
172299-3210	WITH	BLACK	10	KEY A	14.00	21.10	7.00	19.00	
172299-3214	WITH	BLACK	14	KEY A	21.00	28.10	10.50	26.00	
172299-4204	WITH	NATURAL	4	KEY B	3.50	10.60	1.75	8.50	
172299-4210	WITH	NATURAL	10	KEY B	14.00	21.10	7.00	19.00	
172299-4214	WITH	NATURAL	14	KEY B	21.00	28.10	10.50	26.00	
172299-8204	WITHOUT	BLACK	4	KEY A	3.50	10.60	1.75	8.50	
172299-8210	WITHOUT	BLACK	10	KEY A	14.00	21.10	7.00	19.00	
172299-8214	WITHOUT	BLACK	14	KEY A	21.00	28.10	10.50	26.00	
172299-9204	WITHOUT	NATURAL	4	KEY B	3.50	10.60	1.75	8.50	
172299-9210	WITHOUT	NATURAL	10	KEY B	14.00	21.10	7.00	19.00	
172299-9214	WITHOUT	NATURAL	14	KEY B	21.00	28.10	10.50	26.00	

THIS DRAWING CONTAINS INFORMATION THAT IS PROPRIETARY TO MOLEX ELECTRONIC TECHNOLOGIES, LLC AND SHOULD NOT BE USED WITHOUT WRITTEN PERMISSION									
DIMENSION UNITS		SCALE		CURRENT REV DESC:					
mm		NTS							
GENERAL TOLERANCES (UNLESS SPECIFIED)									
ANGULAR TOL ± °									
4 PLACES ±				EC NO: 755556					
3 PLACES ±				DRWN: LEOW 2023/05/12					
2 PLACES ± 0.25				CHK'D: XQZHANG 2023/07/05					
1 PLACE ± 0.5				APPR: XQZHANG 2023/07/05					
0 PLACES ±				INITIAL REVISION:					
DRAFT WHERE APPLICABLE MUST REMAIN WITHIN DIMENSIONS				THIRD ANGLE PROJECTION		DRAWING		SERIES	
				D-SIZE		172299			
				MATERIAL NUMBER		CUSTOMER		SHEET NUMBER	
				SD-172299-1000		GENERAL MARKET		3 OF 3	

molex

ULTRA-FIT VERT HEADER
4-16 CKTS DUAL ROW WITH SOLDER CLIP

PRODUCT CUSTOMER DRAWING

DOCUMENT NUMBER: **SD-172299-1000** PSD 000 C2

DRWN: DROSCA 2014/03/04
APPR: JCOMERCI 2014/04/24