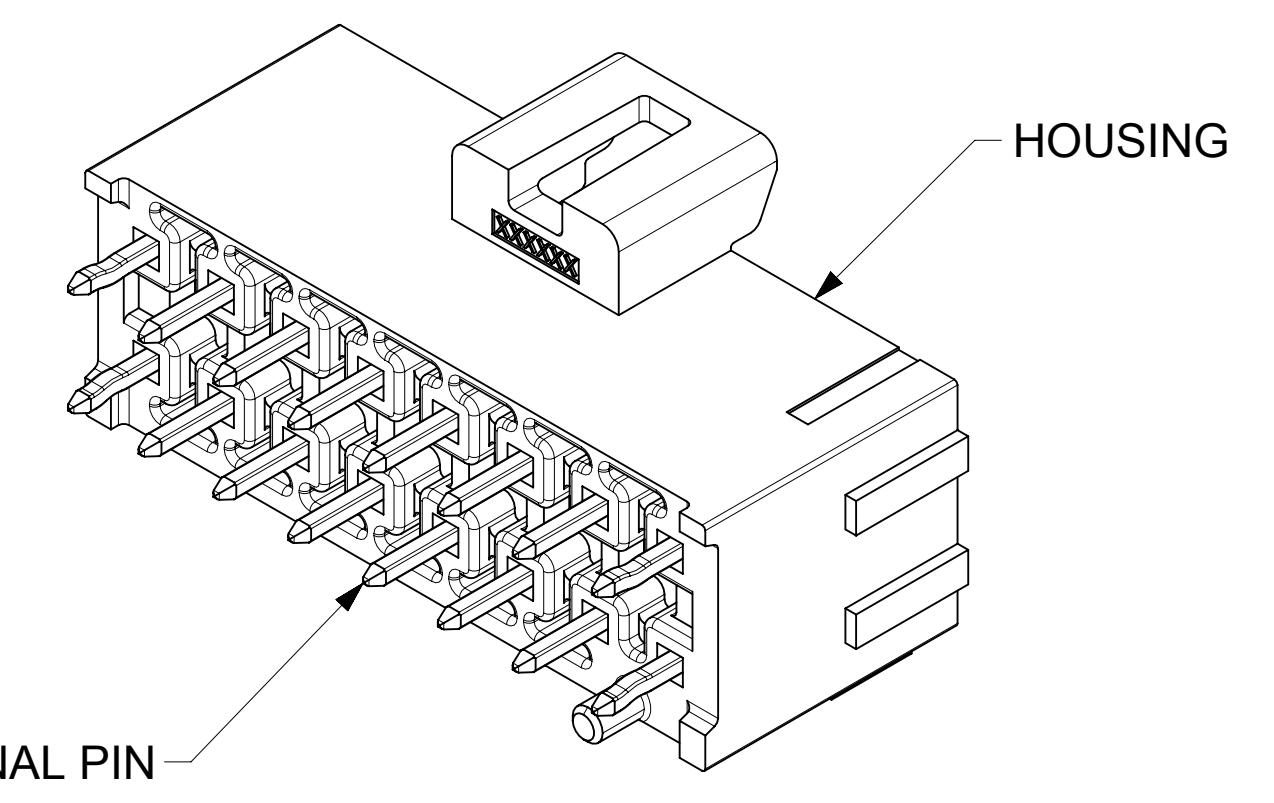
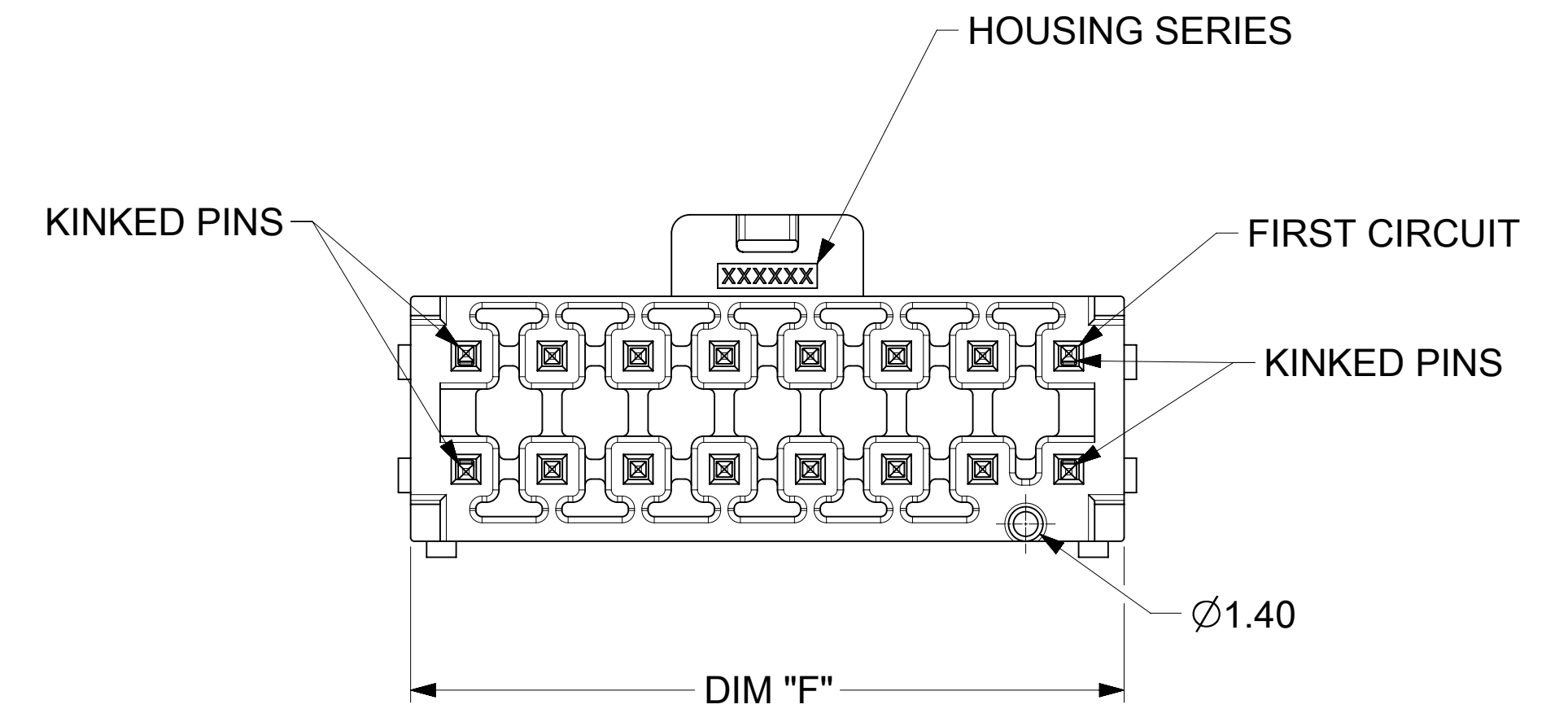
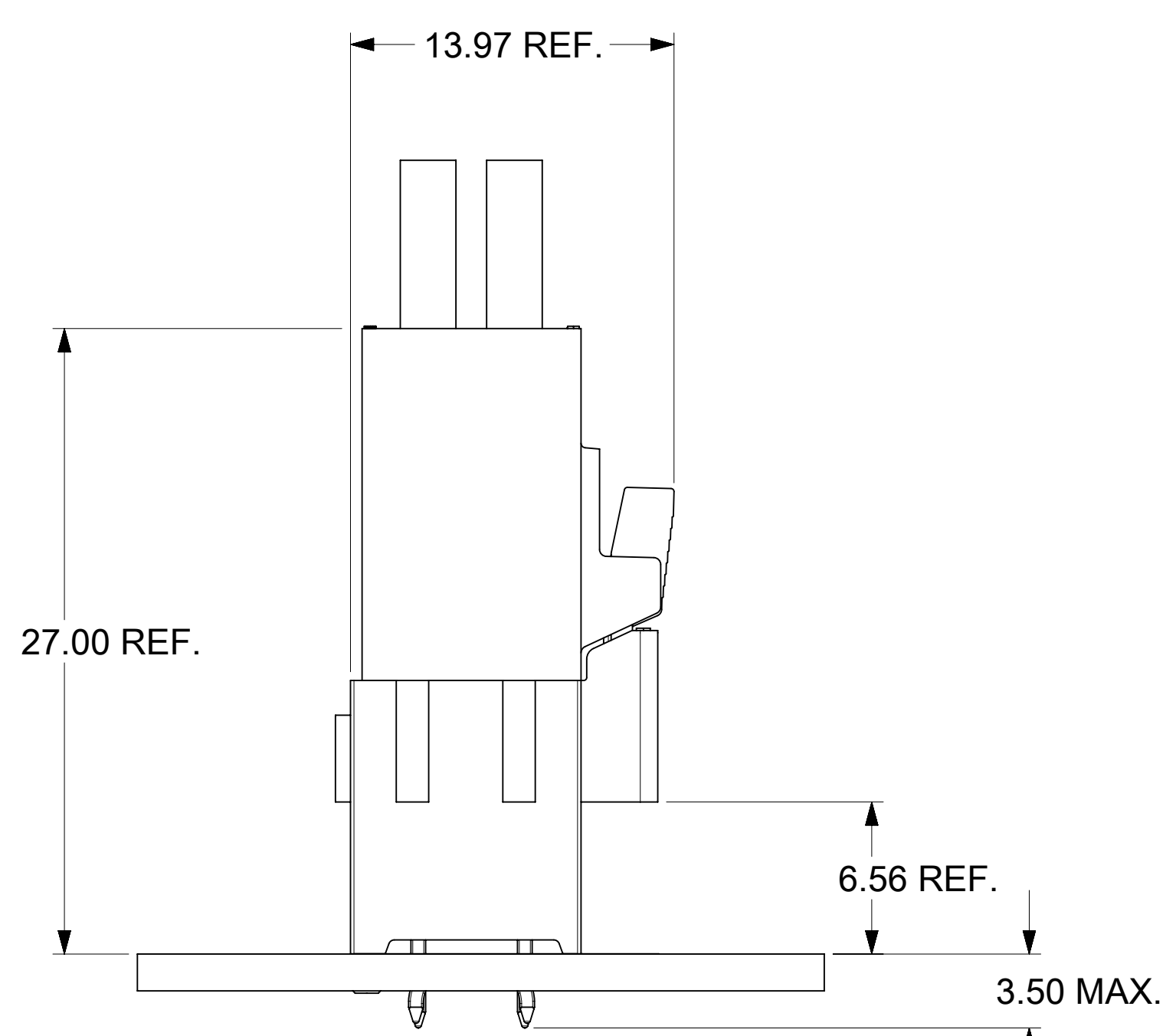


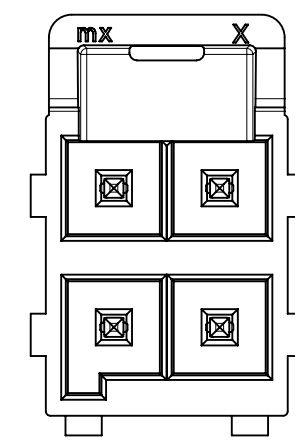
SECTION Y-Y
SCALE 8:1



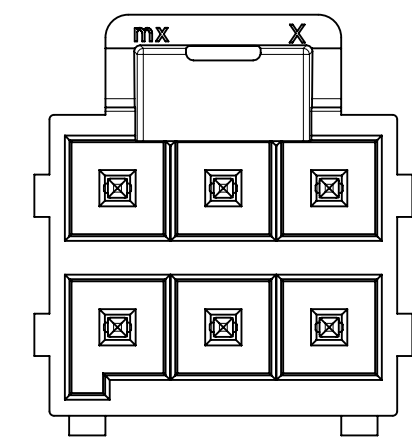
- NOTES:
- MATERIAL :
HOUSING
OPTION 1: LCP BLACK, UL94 V-0
OPTION 2: LCP NATURAL, UL94 V-0
TERMINAL: COPPER ALLOY
 - PLATING FINISH:
OPTION 1 - 1.52µm(60µin)-2.54µm(100µin) TIN OVER,
1.27µm(50µin)-2.54µm(100µin) NICKEL OVERALL,
OPTION 2 - 0.38µm(15µin) GOLD CONTACT AREA,
1.52µm(60µin)-2.54µm(100µin) TIN TAIL AREA OVER,
1.27µm(50µin)-2.54µm(100µin) NICKEL OVERALL.
OPTION 3 - 0.76µm(30µin) GOLD CONTACT AREA,
1.52µm(60µin)-2.54µm(100µin) TIN TAIL AREA OVER,
1.27µm(50µin)-2.54µm(100µin) NICKEL OVERALL.
 - PACKAGE SPECIFICATION REFER TO CHART IN SHEET 3.
 - PRODUCT SPECIFICATION PS-172323-0001.
 - PART MATES WITH MOLEX RECEPTACLE HOUSING 172258 AND 172262.
 - PART CONFORMS TO CLASS "C" REQUIREMENTS OF SPECIFICATION PS-45499-002 WITH 0.13 MM MAXIMUM FLASH ALLOWED IN CORE HOLES AND FRONT SURFACE.
 - DISCOLORATION IN THE BANDOLIER AREA OF THE PIN IS INHERENT TO THE PLATING PROCESS AND IS DUE TO THE MASKING EFFECT OF THE CARRIER. THIS DISCOLORATION IS IN A NON-FUNCTIONAL AREA OF THE PIN AND WILL NOT AFFECT THE PERFORMANCE OF THE HEADER ASSEMBLY.
 - APPLICATION SPECIFICATION: AS-172323-0001



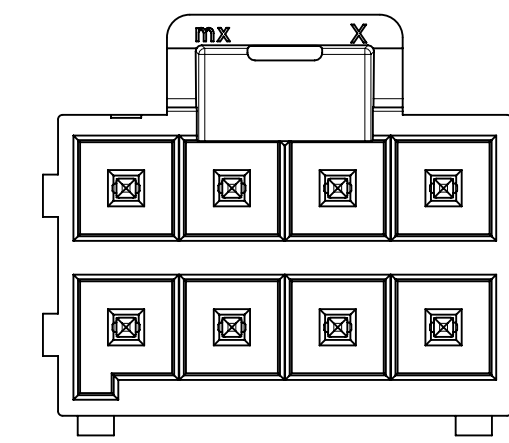
FUNCTIONAL SYMBOLS	THIS DRAWING CONTAINS INFORMATION THAT IS PROPRIETARY TO MOLEX ELECTRONIC TECHNOLOGIES, LLC AND SHOULD NOT BE USED WITHOUT WRITTEN PERMISSION		
	DIMENSION UNITS	SCALE	CURRENT REV DESC:
$F_A = 0$	mm	4:1	
$F_C = 0$	GENERAL TOLERANCES (UNLESS SPECIFIED)		
$F_D = 0$	ANGULAR TOL ± °		
DIVISIONAL SYMBOLS	4 PLACES	±	
	3 PLACES	±	
	2 PLACES	± 0.25	
	1 PLACE	± 0.5	
	0 PLACES	±	
DRAFT WHERE APPLICABLE MUST REMAIN WITHIN DIMENSIONS		THIRD ANGLE PROJECTION	DRAWING SERIES
			D-SIZE 172298
DOCUMENT NUMBER		DOC TYPE	DOC PART
SD-172298-1000		PSD	000
REVISION		REVISION	
D1		D1	
MATERIAL NUMBER		CUSTOMER	
GENERAL MARKET		SHEET NUMBER	
1 OF 3		1 OF 3	



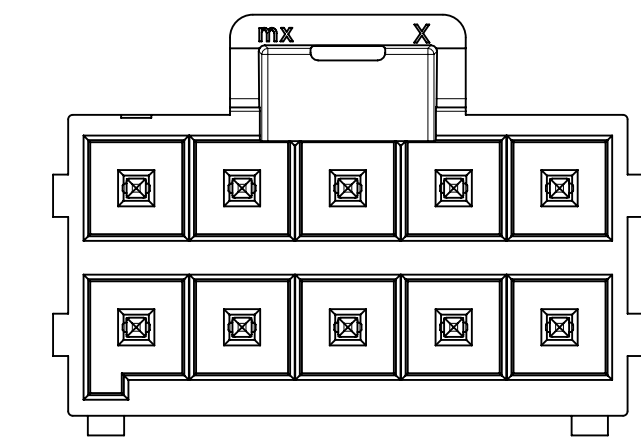
4 CKT



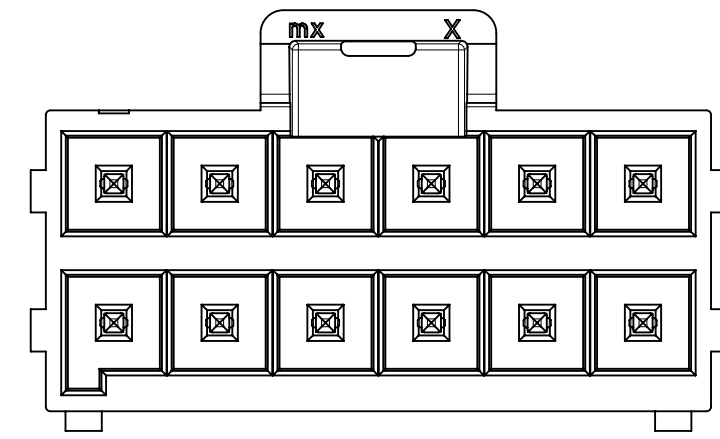
6 CKT



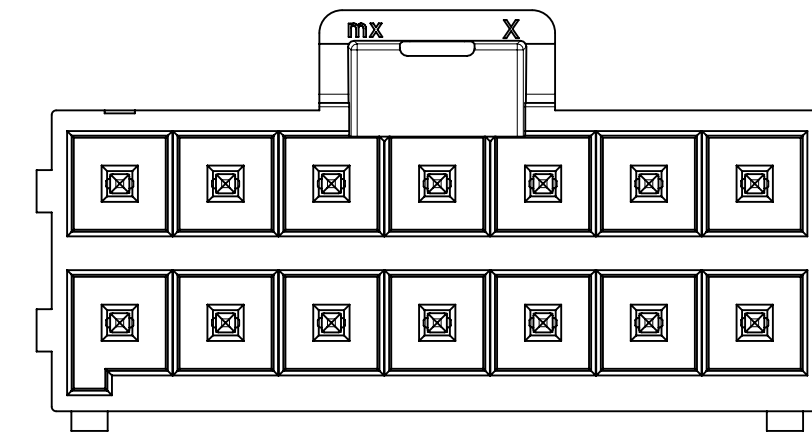
8 CKT



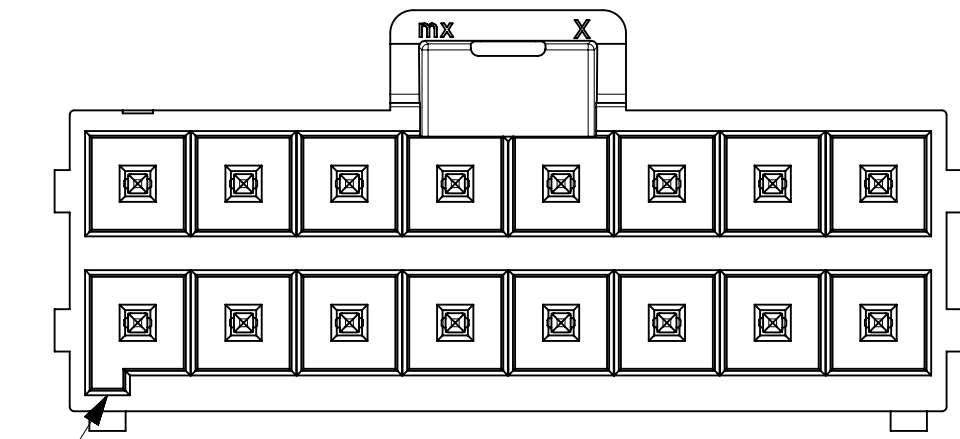
10 CKT



12 CKT

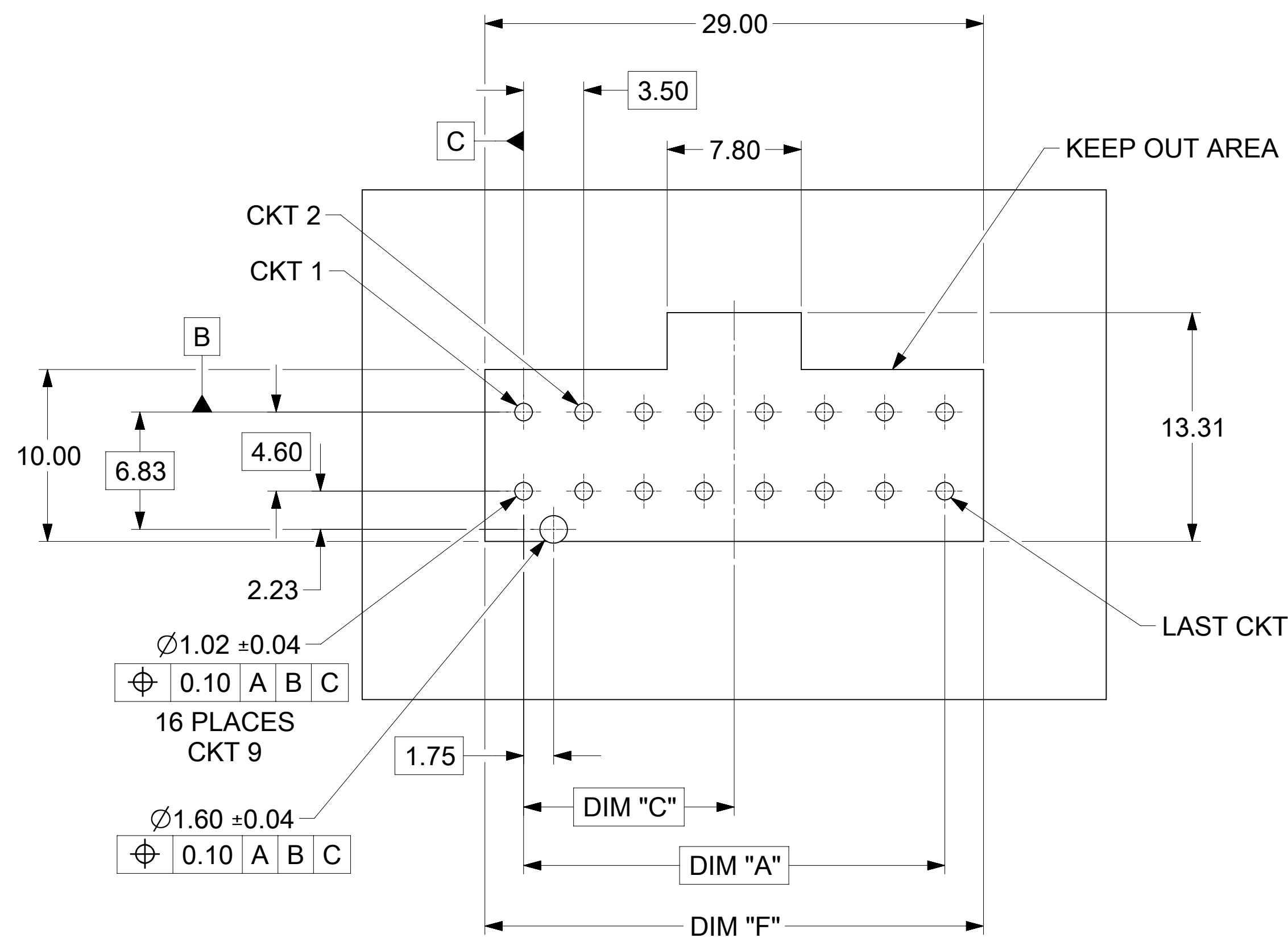


14 CKT



KEY A
(BLACK)

16 CKT



NOTE: DATUM -A- IS ON PCB COMPONENT SIDE

COLOR OPTION	 BLACK	 NATURAL
KAPTON OPTION	 WITHOUT KAPTON	 WITH KAPTON

FUNCTIONAL SYMBOLS FA = 0 FC = 0 FD = 0	THIS DRAWING CONTAINS INFORMATION THAT IS PROPRIETARY TO MOLEX ELECTRONIC TECHNOLOGIES, LLC AND SHOULD NOT BE USED WITHOUT WRITTEN PERMISSION		CURRENT REV DESC:		
	DIMENSION UNITS mm	SCALE 4:1	EC NO: 693485		
DIVISIONAL SYMBOLS	GENERAL TOLERANCES (UNLESS SPECIFIED)		DRWN: GLLI 2022/01/21		
	ANGULAR TOL ± °		CHK'D: XQZHANG 2022/01/26		
4 PLACES ±		APPR: XQZHANG 2022/01/26			
3 PLACES ±		INITIAL REVISION:			
2 PLACES ± 0.25		DRWN: DROSCA 2014/03/04			
1 PLACE ± 0.5		APPR: JCOMERCI 2014/04/24			
0 PLACES ±		DRAFT WHERE APPLICABLE MUST REMAIN WITHIN DIMENSIONS			
THIRD ANGLE PROJECTION		DRAWING D-SIZE	SERIES 172298	MATERIAL NUMBER CUSTOMER GENERAL MARKET	
DOCUMENT NUMBER SD-172298-1000		DOC TYPE PSD	DOC PART 000	REVISION D1	
SHEET NUMBER 2 OF 3		SHEET NUMBER 2 OF 3			

TIN PLATING								COLOR	PACKAGING SPEC.
PART NO.	KAPTON OPTION	CIRCUIT SIZE	KEY OPTION	DIM A	DIM F	DIM C			
172298-1104	WITHOUT	4	KEY A	3.50	8.00	1.75	BLACK	TRAY PK-172298-9001	
172298-1106	WITHOUT	6	KEY A	7.00	11.50	3.50			
172298-1108	WITHOUT	8	KEY A	10.50	15.00	5.25			
172298-1110	WITHOUT	10	KEY A	14.00	18.50	7.00			
172298-1112	WITHOUT	12	KEY A	17.50	22.00	8.75			
172298-1114	WITHOUT	14	KEY A	21.00	25.50	10.50			
172298-1116	WITHOUT	16	KEY A	24.50	29.00	12.25			
172298-2104	WITHOUT	4	KEY B	3.50	8.00	1.75			
172298-2106	WITHOUT	6	KEY B	7.00	11.50	3.50			
172298-2108	WITHOUT	8	KEY B	10.50	15.00	5.25			
172298-2110	WITHOUT	10	KEY B	14.00	18.50	7.00			
172298-2112	WITHOUT	12	KEY B	17.50	22.00	8.75			
172298-2114	WITHOUT	14	KEY B	21.00	25.50	10.50			
172298-2116	WITHOUT	16	KEY B	24.50	29.00	12.25			
172298-7104	WITH	4	KEY A	3.50	8.00	1.75	BLACK	TAPE REEL 1722981000-PK	
172298-7106	WITH	6	KEY A	7.00	11.50	3.50			
172298-7108	WITH	8	KEY A	10.50	15.00	5.25			
172298-7110	WITH	10	KEY A	14.00	18.50	7.00			
172298-7112	WITH	12	KEY A	17.50	22.00	8.75			
172298-7114	WITH	14	KEY A	21.00	25.50	10.50			
172298-7116	WITH	16	KEY A	24.50	29.00	12.25			
172298-8104	WITHOUT	4	KEY A	3.50	8.00	1.75			
172298-8106	WITHOUT	6	KEY A	7.00	11.50	3.50			
172298-8108	WITHOUT	8	KEY A	10.50	15.00	5.25			
172298-8110	WITHOUT	10	KEY A	14.00	18.50	7.00			
172298-8112	WITHOUT	12	KEY A	17.50	22.00	8.75			
172298-8114	WITHOUT	14	KEY A	21.00	25.50	10.50			
172298-8116	WITHOUT	16	KEY A	24.50	29.00	12.25			
172298-3104	WITH	4	KEY B	3.50	8.00	1.75	NATURAL		
172298-3106	WITH	6	KEY B	7.00	11.50	3.50			
172298-3108	WITH	8	KEY B	10.50	15.00	5.25			
172298-3110	WITH	10	KEY B	14.00	18.50	7.00			
172298-3112	WITH	12	KEY B	17.50	22.00	8.75			
172298-3114	WITH	14	KEY B	21.00	25.50	10.50			
172298-3116	WITH	16	KEY B	24.50	29.00	12.25			
172298-4104	WITHOUT	4	KEY B	3.50	8.00	1.75			
172298-4106	WITHOUT	6	KEY B	7.00	11.50	3.50			
172298-4108	WITHOUT	8	KEY B	10.50	15.00	5.25			
172298-4110	WITHOUT	10	KEY B	14.00	18.50	7.00			
172298-4112	WITHOUT	12	KEY B	17.50	22.00	8.75			
172298-4114	WITHOUT	14	KEY B	21.00	25.50	10.50			
172298-4116	WITHOUT	16	KEY B	24.50	29.00	12.25			

15 MICROINCH GOLD PLATING								COLOR	PACKAGING SPEC.
PART NO.	KAPTON OPTION	CIRCUIT SIZE	KEY OPTION	DIM A	DIM F	DIM C			
172298-1204	WITHOUT	4	KEY A	3.50	8.00	1.75	BLACK	TRAY PK-172298-9001	
172298-1206	WITHOUT	6	KEY A	7.00	11.50	3.50			
172298-1208	WITHOUT	8	KEY A	10.50	15.00	5.25			
172298-1210	WITHOUT	10	KEY A	14.00	18.50	7.00			
172298-1212	WITHOUT	12	KEY A	17.50	22.00	8.75			
172298-1214	WITHOUT	14	KEY A	21.00	25.50	10.50			
172298-1216	WITHOUT	16	KEY A	24.50	29.00	12.25			
172298-2204	WITHOUT	4	KEY B	3.50	8.00	1.75			
172298-2206	WITHOUT	6	KEY B	7.00	11.50	3.50			
172298-2208	WITHOUT	8	KEY B	10.50	15.00	5.25			
172298-2210	WITHOUT	10	KEY B	14.00	18.50	7.00			
172298-2212	WITHOUT	12	KEY B	17.50	22.00	8.75			
172298-2214	WITHOUT	14	KEY B	21.00	25.50	10.50			
172298-2216	WITHOUT	16	KEY B	24.50	29.00	12.25			
172298-7204	WITH	4	KEY A	3.50	8.00	1.75	BLACK	TAPE REEL 1722981000-PK	
172298-7206	WITH	6	KEY A	7.00	11.50	3.50			
172298-7208	WITH	8	KEY A	10.50	15.00	5.25			
172298-7210	WITH	10	KEY A	14.00	18.50	7.00			
172298-7212	WITH	12	KEY A	17.50	22.00	8.75			
172298-7214	WITH	14	KEY A	21.00	25.50	10.50			
172298-7216	WITH	16	KEY A	24.50	29.00	12.25			
172298-8204	WITHOUT	4	KEY A	3.50	8.00	1.75			
172298-8206	WITHOUT	6	KEY A	7.00	11.50	3.50			
172298-8208	WITHOUT	8	KEY A	10.50	15.00	5.25			
172298-8210	WITHOUT	10	KEY A	14.00	18.50	7.00			
172298-8212	WITHOUT	12	KEY A	17.50	22.00	8.75			
172298-8214	WITHOUT	14	KEY A	21.00	25.50	10.50			
172298-8216	WITHOUT	16	KEY A	24.50	29.00	12.25			
172298-3204	WITH	4	KEY B	3.50	8.00	1.75	NATURAL		
172298-3206	WITH	6	KEY B	7.00	11.50	3.50			
172298-3208	WITH	8	KEY B	10.50	15.00	5.25			
172298-3210	WITH	10	KEY B	14.00	18.50	7.00			
172298-3212	WITH	12	KEY B	17.50	22.00	8.75			
172298-3214	WITH	14	KEY B	21.00	25.50	10.50			
172298-3216	WITH	16	KEY B	24.50	29.00	12.25			
172298-4204	WITHOUT	4	KEY B	3.50	8.00	1.75			
172298-4206	WITHOUT	6	KEY B	7.00	11.50	3.50			
172298-4208	WITHOUT	8	KEY B	10.50	15.00	5.25			
172298-4210	WITHOUT	10	KEY B	14.00	18.50	7.00			
172298-4212	WITHOUT	12	KEY B	17.50	22.00	8.75			
172298-4214	WITHOUT	14	KEY B	21.00	25.50	10.50			
172298-4216	WITHOUT	16	KEY B	24.50	29.00	12.25			

30 MICROINCH GOLD PLATING								COLOR	PACKAGING SPEC.
PART NO.	KAPTON OPTION	CIRCUIT SIZE	KEY OPTION	DIM A	DIM F	DIM C			
172298-1304	WITHOUT	4	KEY A	3.50	8.00	1.75	BLACK	TRAY PK-172298-9001	
172298-1306	WITHOUT	6	KEY A	7.00	11.50	3.50			
172298-1308	WITHOUT	8	KEY A	10.50	15.00	5.25			
172298-1310	WITHOUT	10	KEY A	14.00	18.50	7.00			
172298-1312	WITHOUT	12	KEY A	17.50	22.00	8.75			
172298-1314	WITHOUT	14	KEY A	21.00	25.50	10.50			
172298-1316	WITHOUT	16	KEY A	24.50	29.00	12.25			
172298-2304	WITHOUT	4	KEY B	3.50	8.00	1.75			
172298-2306	WITHOUT	6	KEY B	7.00	11.50	3.50			
172298-2308	WITHOUT	8	KEY B	10.50	15.00	5.25			
172298-2310	WITHOUT	10	KEY B	14.00	18.50	7.00			
172298-2312	WITHOUT	12	KEY B	17.50	22.00	8.75			
172298-2314	WITHOUT	14	KEY B	21.00	25.50	10.50			
172298-2316	WITHOUT	16	KEY B	24.50	29.00	12.25			
172298-7304	WITH	4	KEY A	3.50	8.00	1.75	BLACK	TAPE REEL 1722981000-PK	
172298-7306	WITH	6	KEY A	7.00	11.50	3.50			
172298-7308	WITH	8	KEY A	10.50	15.00	5.25			
172298-7310	WITH	10	KEY A	14.00	18.50	7.00			
172298-7312	WITH	12	KEY A	17.50	22.00	8.75			
172298-7314	WITH	14	KEY A	21.00	25.50	10.50			
172298-7316	WITH	16	KEY A	24.50	29.00	12.25			
172298-8304	WITHOUT	4	KEY A	3.50	8.00	1.75			
172298-8306	WITHOUT	6	KEY A	7.00	11.50	3.50			
172298-8308	WITHOUT	8	KEY A	10.50	15.00	5.25			
172298-8310	WITHOUT	10	KEY A	14.00	18.50	7.00			
172298-8312	WITHOUT	12	KEY A	17.50	22.00	8.75			
172298-8314	WITHOUT	14	KEY A	21.00	25.50	10.50			
172298-8316	WITHOUT	16	KEY A	24.50	29.00	12.25			
172298-3304	WITH	4	KEY B	3.50	8.00	1.75	NATURAL		
172298-3306	WITH	6	KEY B	7.00	11.50	3.50			
172298-3308	WITH	8	KEY B	10.50	15.00	5.25			
172298-3310	WITH	10	KEY B	14.00	18.50	7.00			
172298-3312	WITH	12	KEY B	17.50	22.00	8.75			
172298-3314	WITH	14	KEY B	21.00	25.50	10.50			
172298-3316	WITH	16	KEY B	24.50	29.00	12.25			
172298-4304	WITHOUT	4	KEY B	3.50	8.00	1.75			
172298-4306	WITHOUT	6	KEY B	7.00	11.50	3.50			
172298-4308	WITHOUT	8	KEY B	10.50	15.00	5.25			
172298-4310	WITHOUT	10	KEY B	14.00	18.50	7.00			
172298-4312	WITHOUT	12	KEY B	17.50	22.00	8.75			
172298-4314	WITHOUT	14	KEY B	21.00	25.50	10.50			
172298-4316	WITHOUT	16	KEY B	24.50	29.00	12.25			

FUNCTIONAL SYMBOLS		THIS DRAWING CONTAINS INFORMATION THAT IS PROPRIETARY TO MOLEX ELECTRONIC TECHNOLOGIES, LLC AND SHOULD NOT BE USED WITHOUT WRITTEN PERMISSION													
$\frac{F}{A} = 0$	DIMENSION UNITS	mm	SCALE	1:1	CURRENT REV DESC:										
$\frac{F}{C} = 0$	GENERAL TOLERANCES (UNLESS SPECIFIED)				EC NO: 693485										
$\frac{F}{D} = 0$	ANGULAR TOL ± °				DRWN: GLLI 2022/01/21										
DIVISIONAL SYMBOLS		4 PLACES ±		CHK'D: XQZHANG 2022/01/26											
		3 PLACES ±		APPR: XQZHANG 2022/01/26											
		2 PLACES ± 0.25		INITIAL REVISION:											
		1 PLACE ± 0.5		DRWN: DROSCA 2014/03/04											
		0 PLACES ±		APPR: JCOMERCI 2014/04/24											
DRAFT WHERE APPLICABLE MUST REMAIN WITHIN DIMENSIONS			THIRD ANGLE PROJECTION		DRAWING		SERIES		MATERIAL NUMBER			CUSTOMER		SHEET NUMBER	
					D-SIZE		172298		SD-172298-1000			PSD 000 D1		GENERAL MARKET 3 OF 3	