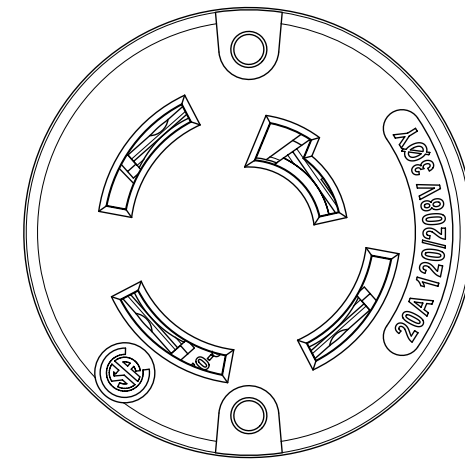
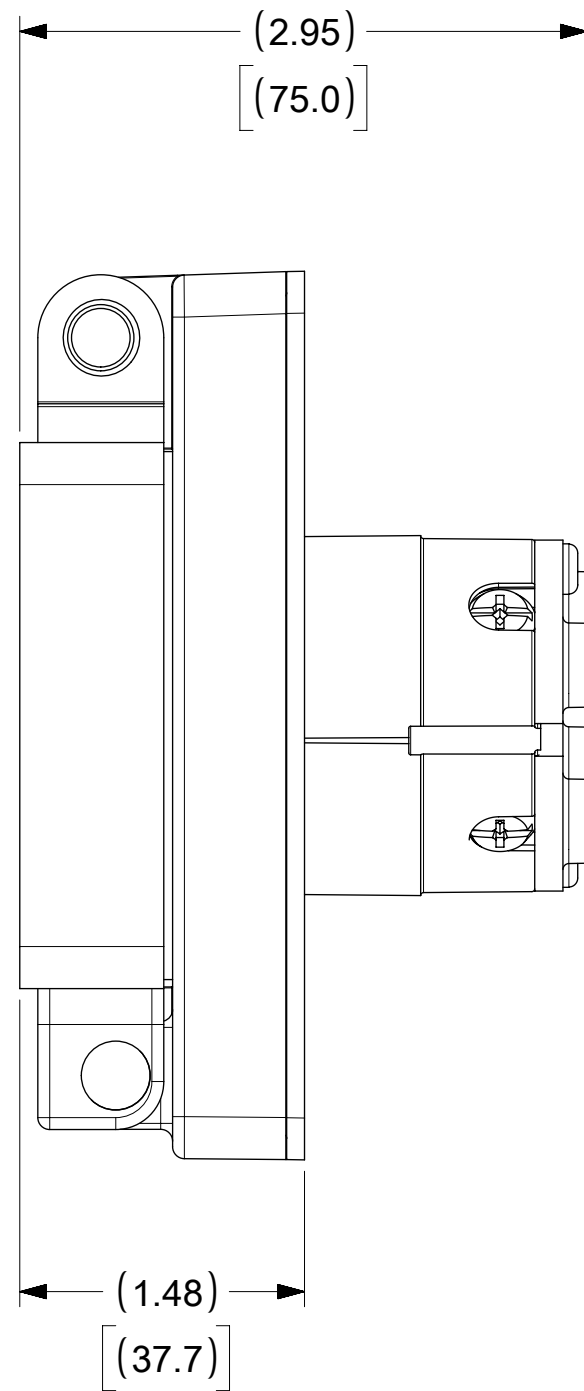
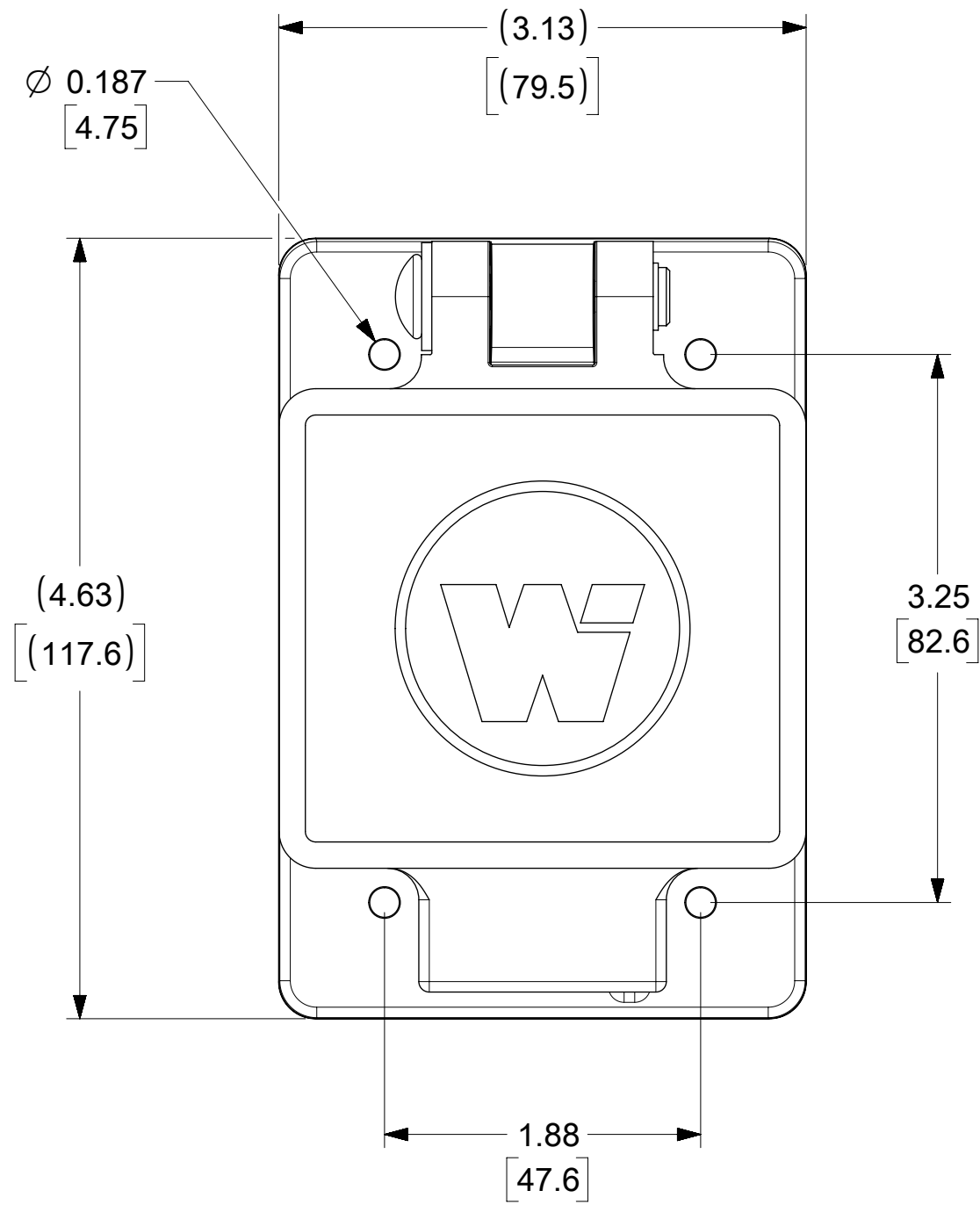
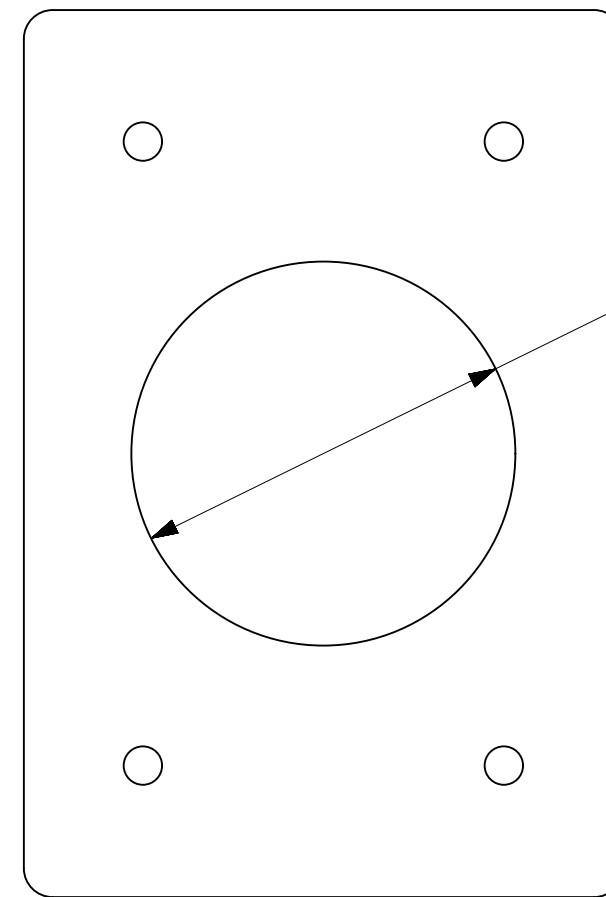
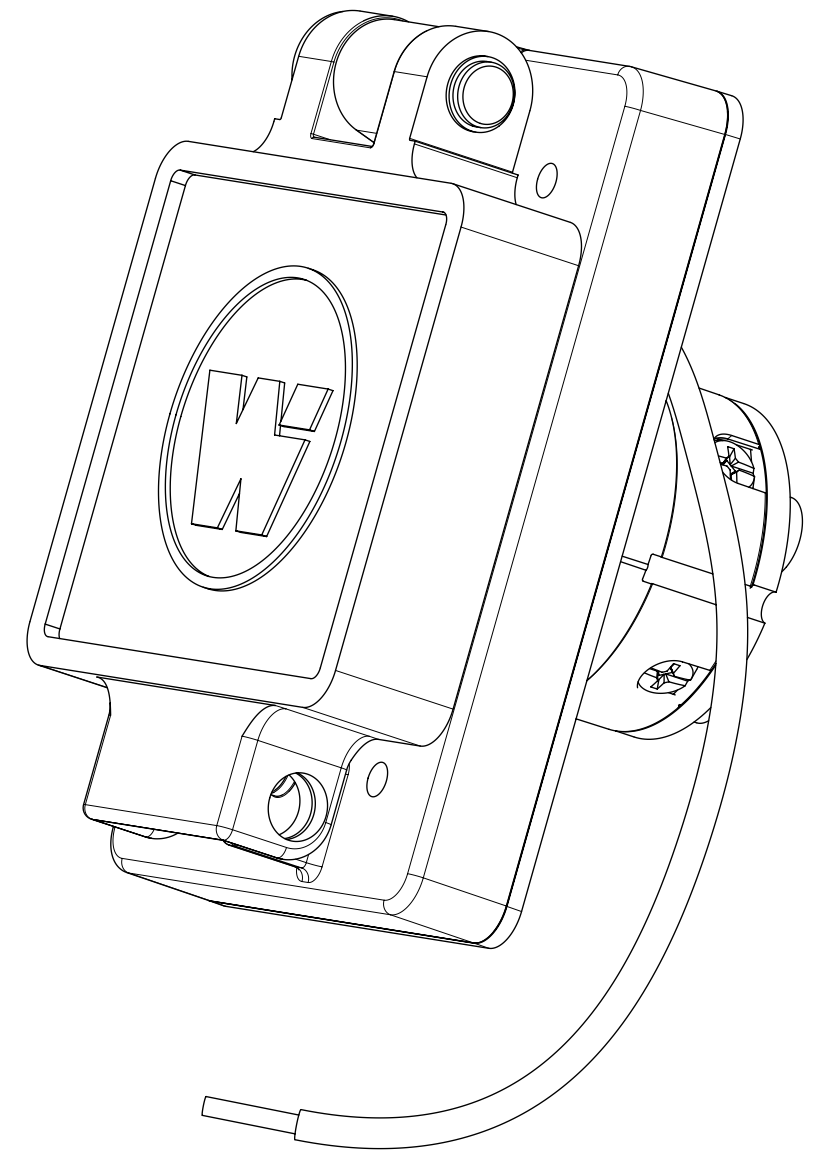


ORDER NO.	WOODHEAD NO.	COLOR
130147-0139	67W09	YELLOW



FACE VIEW



CLEARANCE HOLE  
(FOR PANEL MOUNT)

DESCRIPTION	MATERIAL	QTY.
BLADES	BRASS, NICKEL PLATED	3
RETAINING SCREWS	STAINLESS STEEL	3
CLAMP AND TERMINAL SCREW ASSY.	BRASS, ZINC PLATED	3
FEMALE INSERT	NYLON	1
TERMINAL COVER	POLYCARBONATE	1
COVER ASSEMBLY	POLYCARBONATE, STAINLESS STEEL, ALUMINUM	1
GASKET FLIP	NEOPRENE	1
SUPPORT PLATE	STAINLESS STEEL	1
SCREW (GROUND WIRE)	STAINLESS STEEL	1
JUMPER WIRE ASSY	COPPER, BRASS (TINNED FINISH)	1

THIS DRAWING CONTAINS INFORMATION THAT IS PROPRIETARY TO MOLEX ELECTRONIC TECHNOLOGIES, LLC AND SHOULD NOT BE USED WITHOUT WRITTEN PERMISSION									
SYMBOLS		DIMENSION UNITS		SCALE		CURRENT REV DESC: MIGRATE TO ECTR/NX			
▽ = 0		INCH[MM]		NTS		<b>molex</b> WATERTITE FS COVERPLATE 4P4W NON-NEMA			
▽ = 0		GENERAL TOLERANCES (UNLESS SPECIFIED)							
▽ = 0						EC NO: 613948 DRWN: SRPATIL 2018/12/27 CHK'D: DNGUYEN62 2019/03/19 APPR: HKNEELAND 2019/03/22			
▽ = 0		4 PLACES ±		MM		INCH		PRODUCT CUSTOMER DRAWING	
▽ = 0		3 PLACES ±						DOCUMENT NUMBER	
▽ = 0		2 PLACES ±						1301470139	
▽ = 0		1 PLACE ±						DOC TYPE	
▽ = 0		0 PLACES ±						PSD	
▽ = 0		ANGULAR TOL ± °						DOC PART	
▽ = 0		DRAFT WHERE APPLICABLE MUST REMAIN WITHIN DIMENSIONS		THIRD ANGLE PROJECTION		DRAWING		SERIES	
▽ = 0						C-SIZE		130147	
		MATERIAL NUMBER		CUSTOMER		SHEET NUMBER			
		SEE TABLE		GENERAL MARKET		1 OF 1			