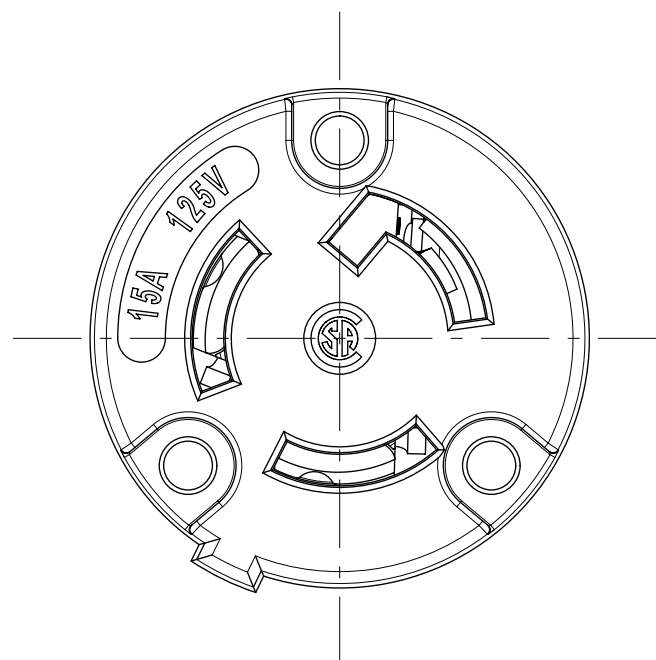
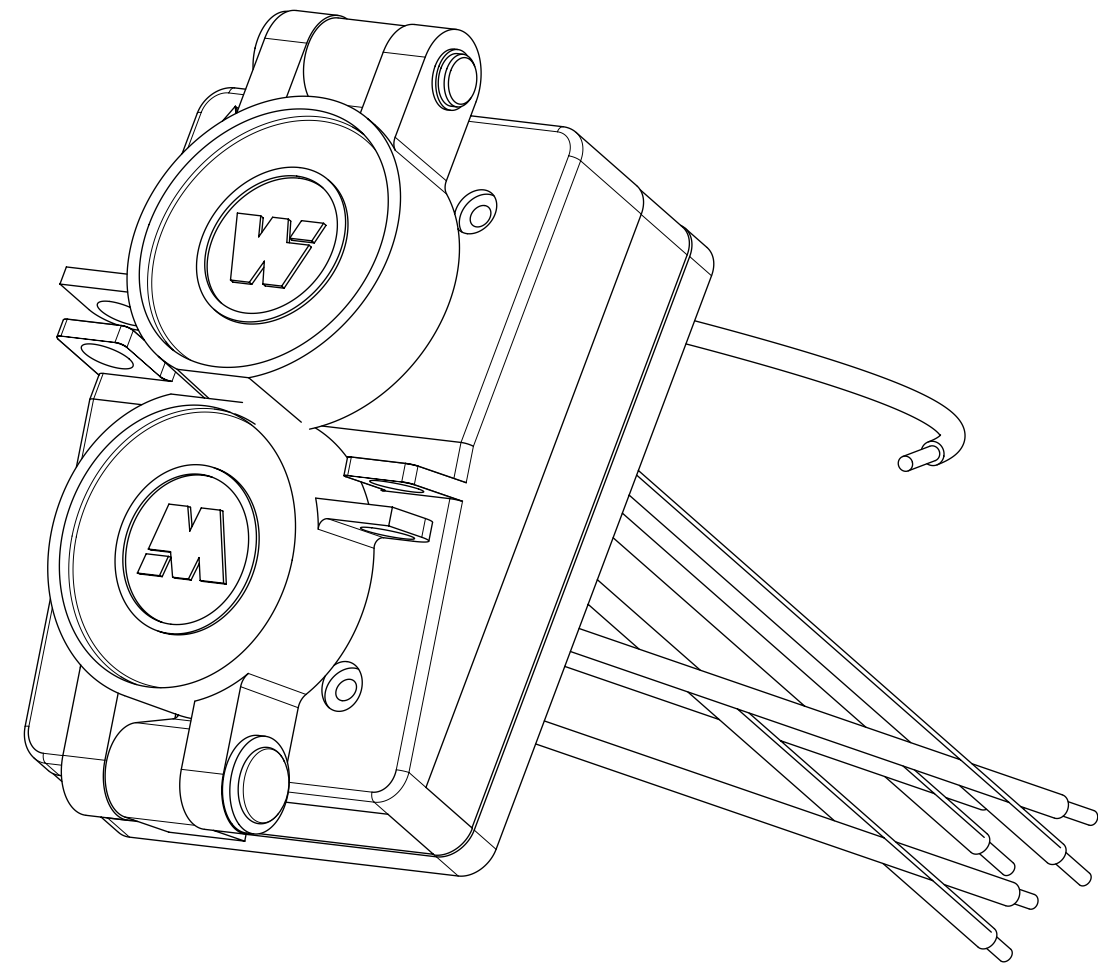
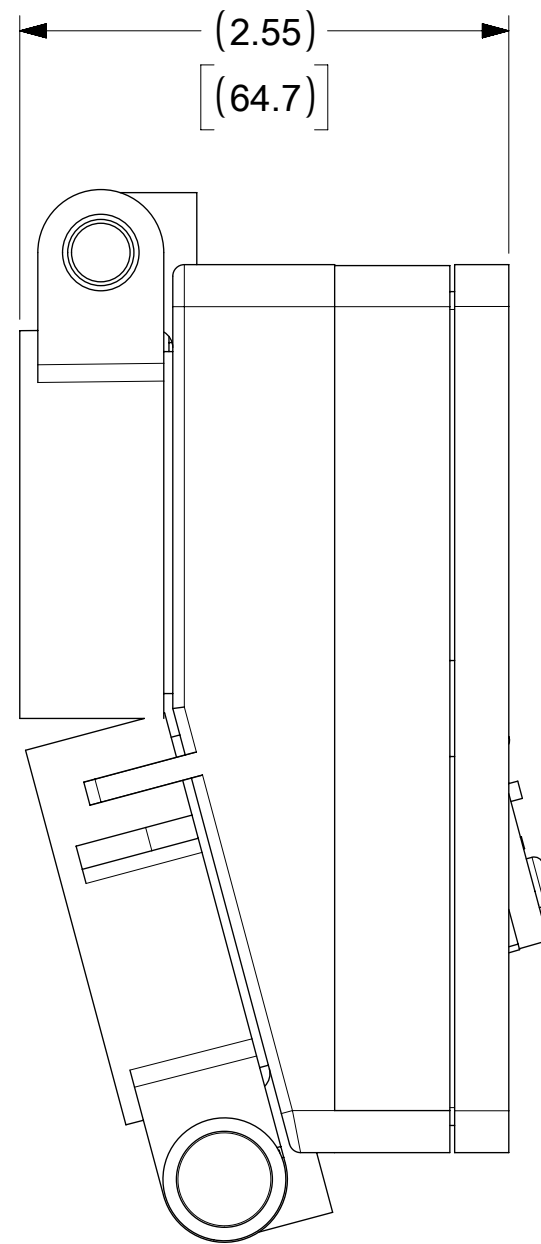
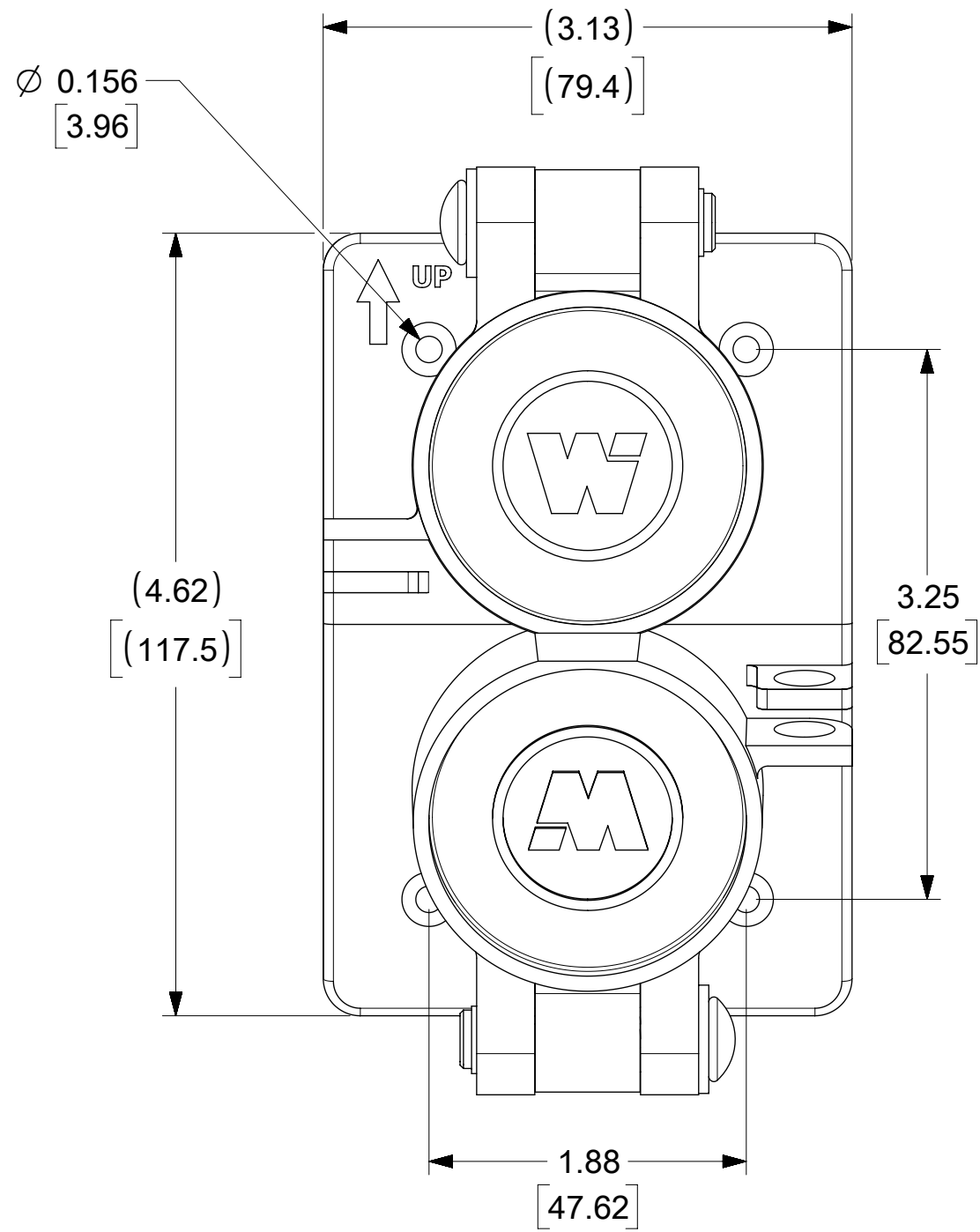
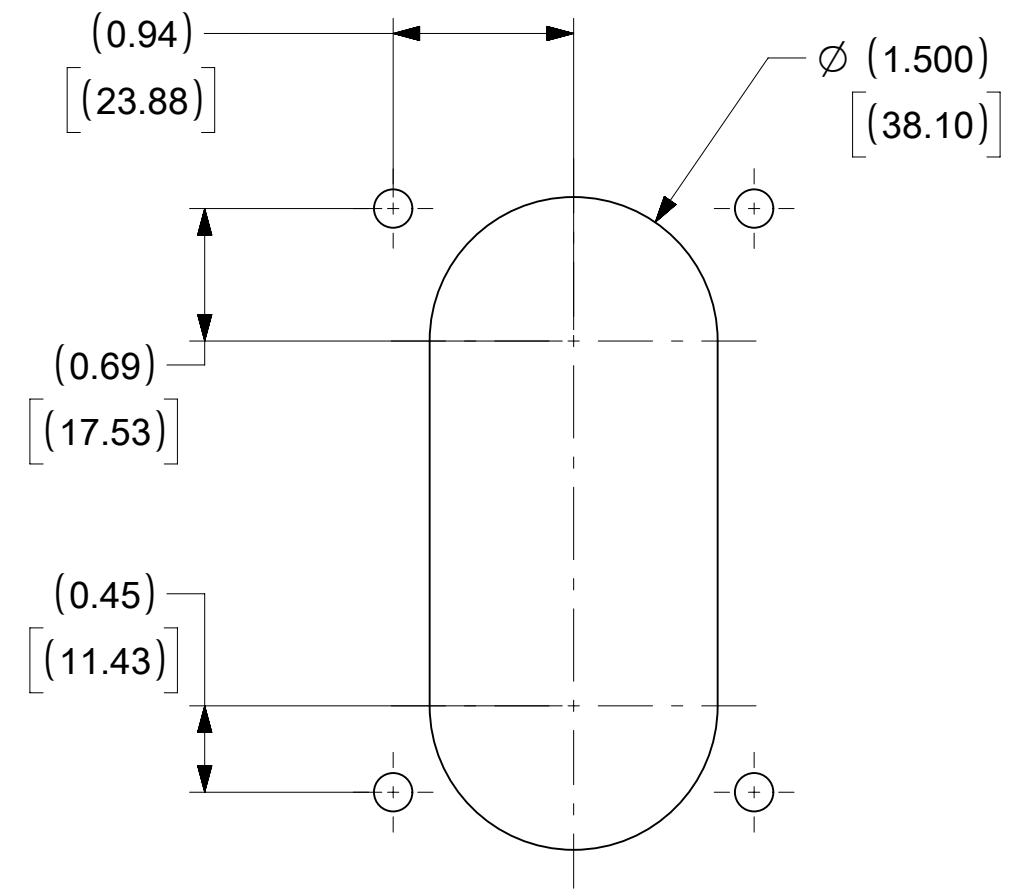


ORDER NO.	WOODHEAD NO.	COLOR
130146-0151	65W47DPLX	YELLOW



FACE VIEW



CLEARANCE HOLE (FOR PANEL MOUNT)

DESCRIPTION	MATERIAL	QTY.
RETAINING SCREWS	STAINLESS STEEL	6
INSERT ASSY	NYLON, BRASS, NICKEL & ZINC PLATED	2
GASKET	NEOPRENE	1
BASE PLATE	POLYCARBONATE	1
COVER FLIP LID	POLYCARBONATE	2
COVER PLATE	STAINLESS STEEL	1
SCREW (GROUND WIRE)	STAINLESS STEEL	1
FLAT WASHER	STAINLESS STEEL	2
RIVET	ALUMINUM	2
TORSION SPRING	STAINLESS STEEL WIRE	2
WASHER	STAINLESS STEEL	2
DOME PUSH CAP	STAINLESS STEEL	2
JUMPER WIRE ASSY	COPPER, BRASS (TINNED FINISH)	1
#12-1 BLACK WIRE	COPPER WIRE	2
#12-1 WHITE WIRE	COPPER WIRE	2
#12-1 GREEN WIRE	COPPER WIRE	2

THIS DRAWING CONTAINS INFORMATION THAT IS PROPRIETARY TO MOLEX ELECTRONIC TECHNOLOGIES, LLC AND SHOULD NOT BE USED WITHOUT WRITTEN PERMISSION									
SYMBOLS		DIMENSION UNITS		SCALE		CURRENT REV DESC: MIGRATE TO NX/ECTR			
▽ = 0		INCH[MM]		NTS		<b>molex</b> WATERTITE FD DOUBLE COVERPLATE 2P3W L5-15 PRODUCT CUSTOMER DRAWING			
▽ = 0		GENERAL TOLERANCES (UNLESS SPECIFIED)							
▽ = 0						EC NO: 613579 DRWN: SRPATIL 2019/01/08 CHK'D: DNGUYEN62 2019/03/14 APPR: HKNEELAND 2019/03/21			
▽ = 0		4 PLACES ±		MM		INCH		INITIAL REVISION:	
▽ = 0		3 PLACES ±						DRWN: SRPATIL 2019/01/08	
▽ = 0		2 PLACES ±						APPR: HKNEELAND 2019/03/21	
▽ = 0		1 PLACE ±						SERIES	
▽ = 0		0 PLACES ±						2019/03/21	
▽ = 0		ANGULAR TOL ± °						MATERIAL NUMBER	
▽ = 0		DRAFT WHERE APPLICABLE MUST REMAIN WITHIN DIMENSIONS		THIRD ANGLE PROJECTION		DRAWING		CUSTOMER	
▽ = 0				C-SIZE		130146		SHEET NUMBER	
▽ = 0								1 OF 1	

DOCUMENT STATUS	P1	RELEASE DATE	2019/03/21	15:23:31
-----------------	----	--------------	------------	----------