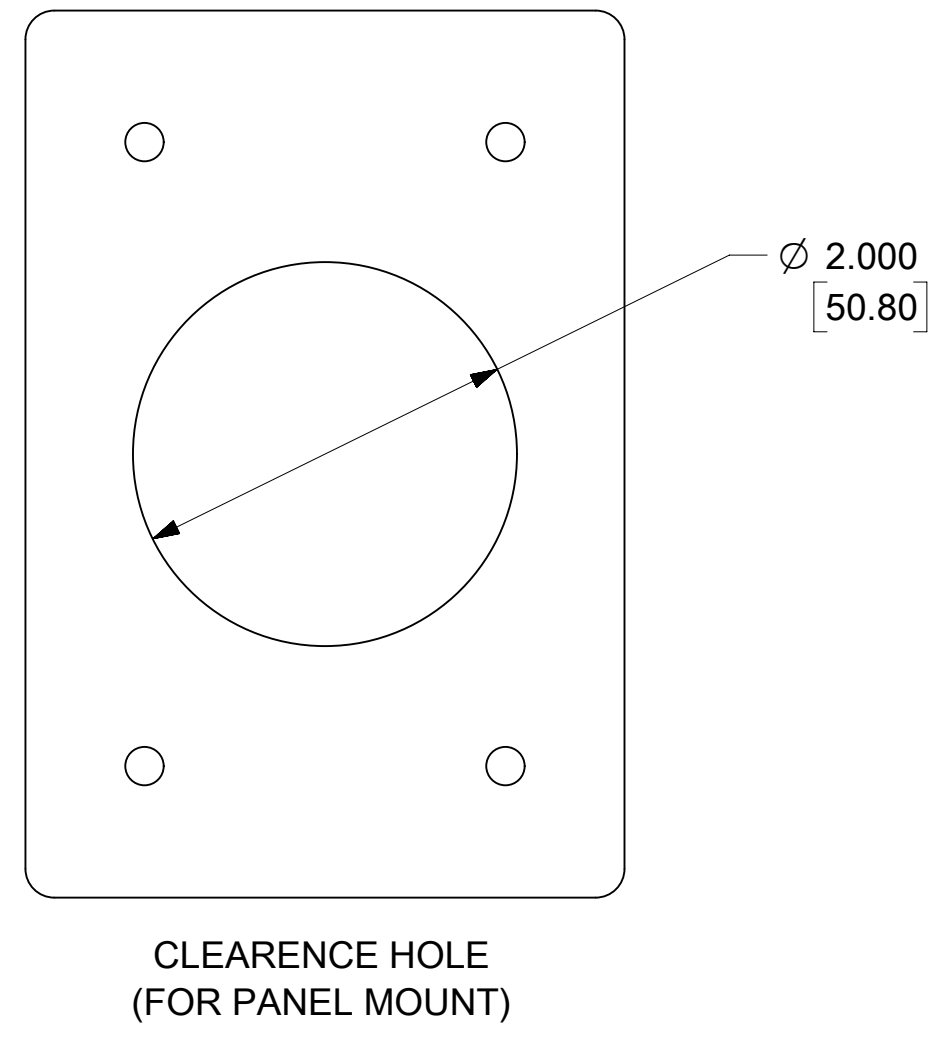
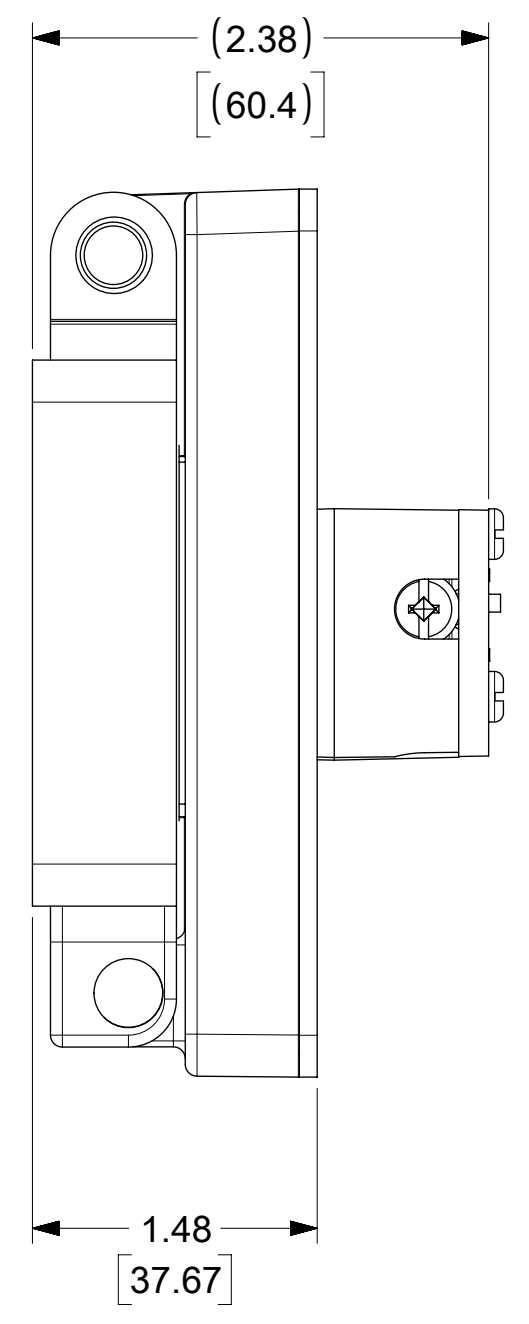
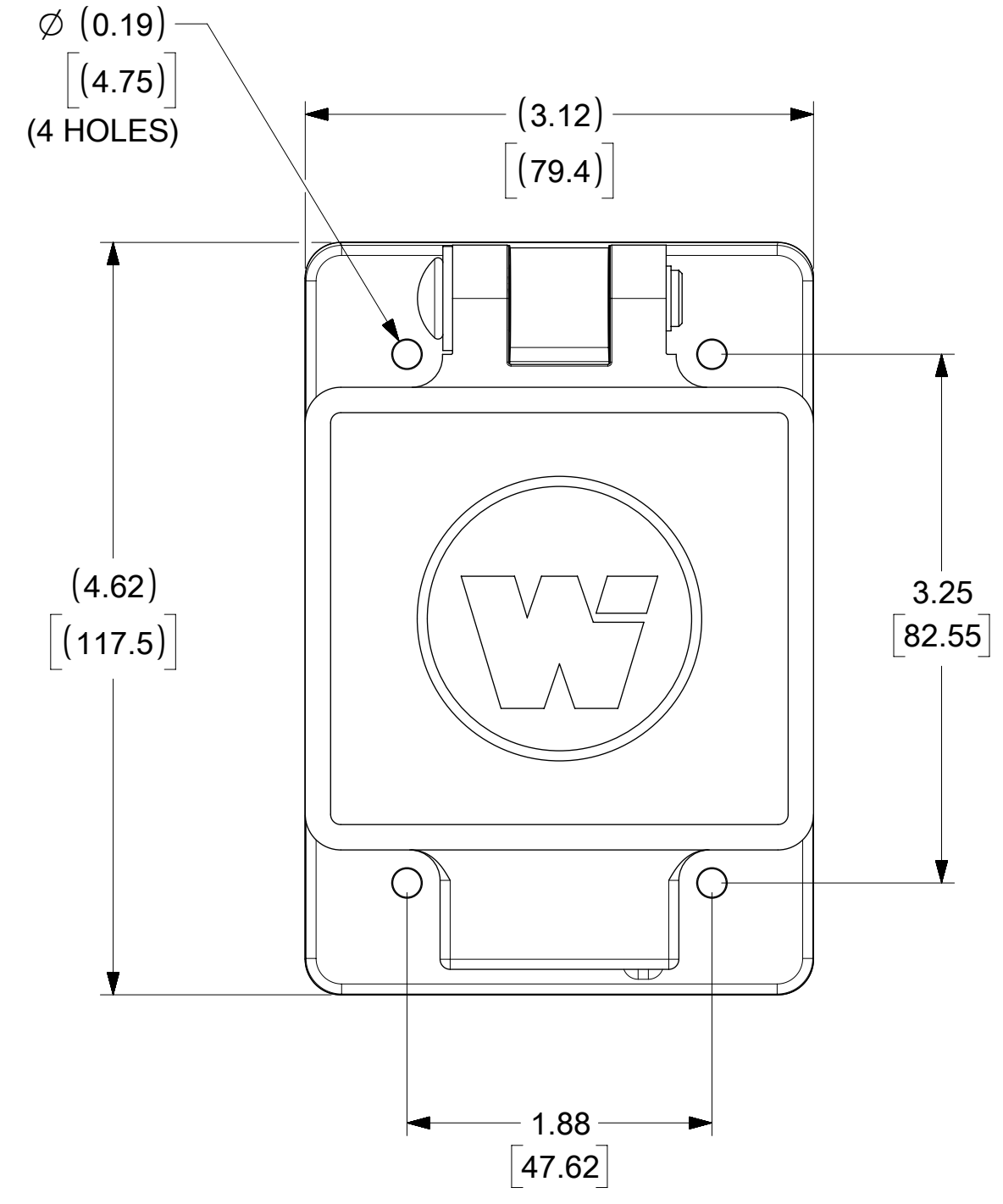
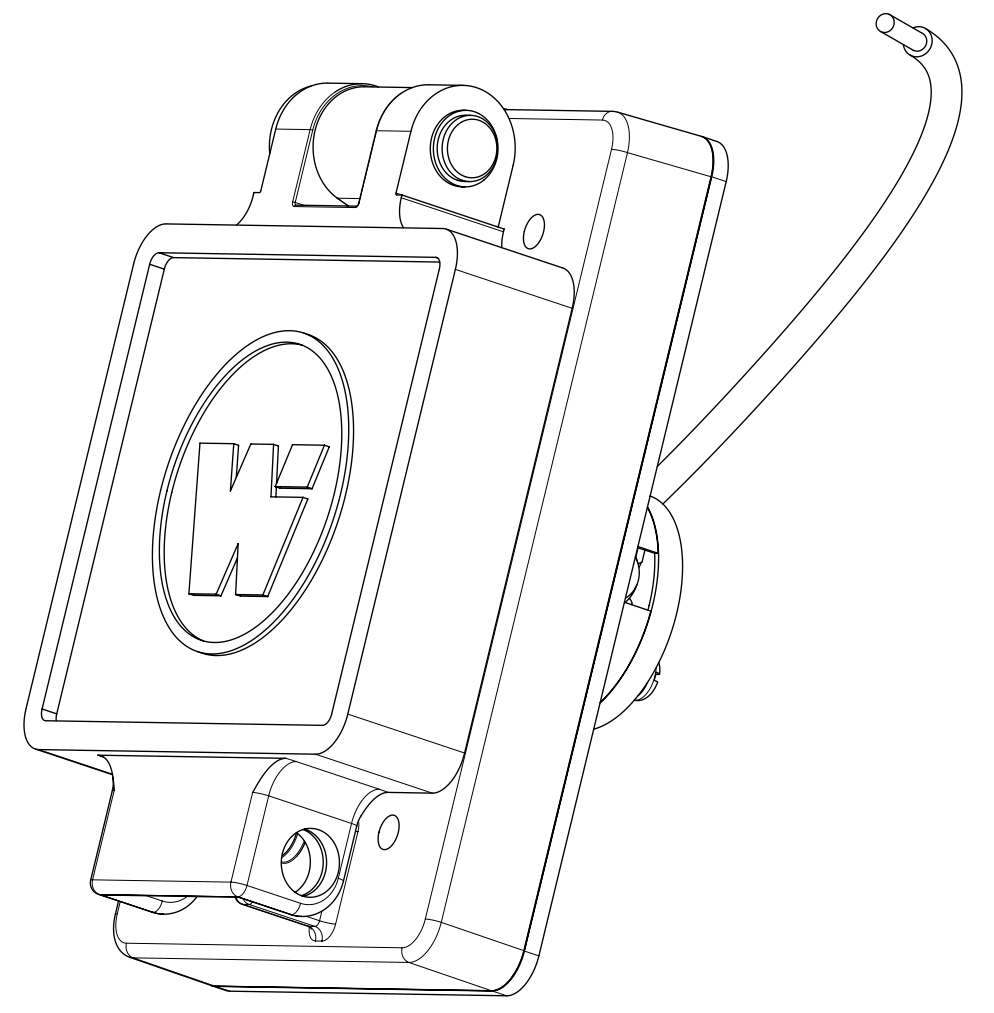
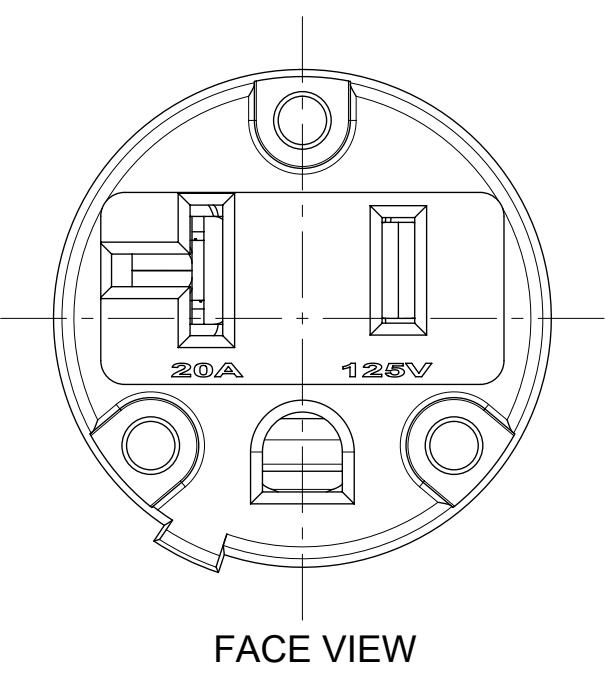


ORDER NO.	WOODHEAD NO.	COLOR
130146-0123	60W33	YELLOW



DESCRPTION	MATERIAL	QTY.
BLADES	BRASS, NICKEL PLATED	3
RETAINING SCREWS	STAINLESS STEEL	3
CLAMP AND TERMINAL SCREW ASSY.	BRASS, ZINC PLATED	3
FEMALE INSERT	NYLON	1
TERMINAL COVER	POLYCARBONATE	1
COVER ASSEMBLY	POLYCARBONATE, STAINLESS STEEL, ALUMINUM	1
GASKET FLIP	NEOPRENE	1
SUPPORT PLATE	STAINLESS STEEL	1
SCREW (GROUND WIRE)	STAINLESS STEEL	1
JUMPER WIRE ASSY	COPPER, BRASS (TINNED FINISH)	1

THIS DRAWING CONTAINS INFORMATION THAT IS PROPRIETARY TO MOLEX ELECTRONIC TECHNOLOGIES, LLC AND SHOULD NOT BE USED WITHOUT WRITTEN PERMISSION									
SYMBOLS		DIMENSION UNITS		SCALE		CURRENT REV DESC: MIGRATE TO ECTR/NX			
$\nabla$ = 0	INCH	[MM]	NTS						
$\nabla$ = 0	GENERAL TOLERANCES (UNLESS SPECIFIED)								
$\nabla$ = 0		MM	INCH						
$\nabla$ = 0	4 PLACES	±	±			EC NO: 613337			
$\nabla$ = 0	3 PLACES	±	±			DRWN: SRPATIL 2018/12/13			
$\nabla$ = 0	2 PLACES	±	±			CHK'D: DNGUYEN62 2019/03/12			
$\nabla$ = 0	1 PLACE	±	±			APPR: HKNEELAND 2019/03/18			
$\nabla$ = 0	0 PLACES	±	±			INITIAL REVISION:			
$\nabla$ = 0	ANGULAR TOL	±	°			DRWN: SRPATIL 2018/12/13			
$\nabla$ = 0	DRAFT WHERE APPLICABLE MUST REMAIN WITHIN DIMENSIONS			THIRD ANGLE PROJECTION		DRAWING		SERIES	
						C-SIZE	130146		
DOCUMENT STATUS		P1	RELEASE DATE	2019/03/18	22:50:35	MATERIAL NUMBER		CUSTOMER	
						SEE TABLE	GENERAL MARKET	SHEET NUMBER	
								1301460123	PSD 000 A
									1 OF 1