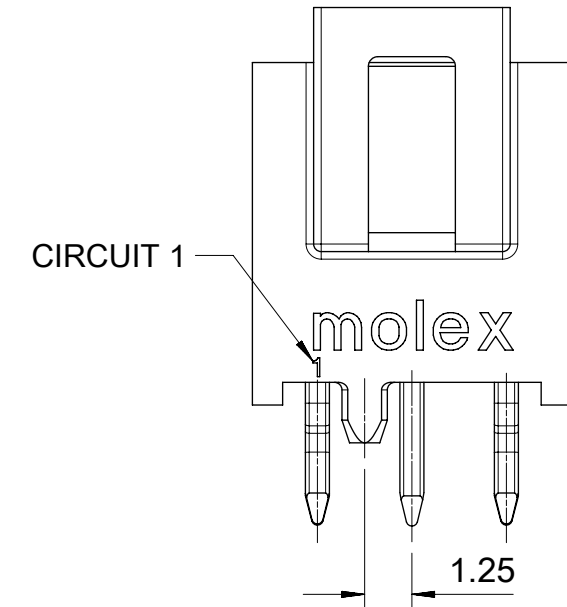
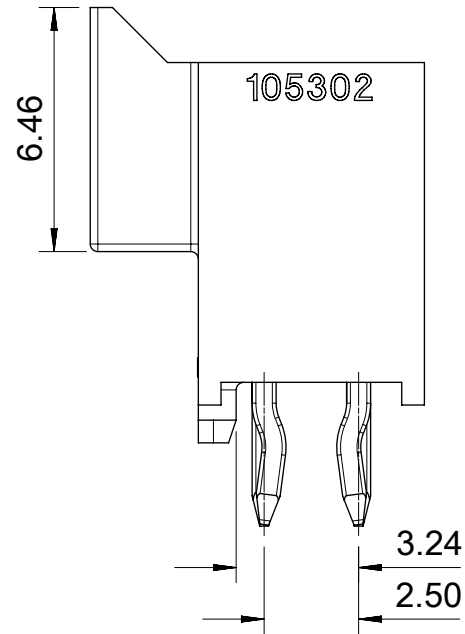
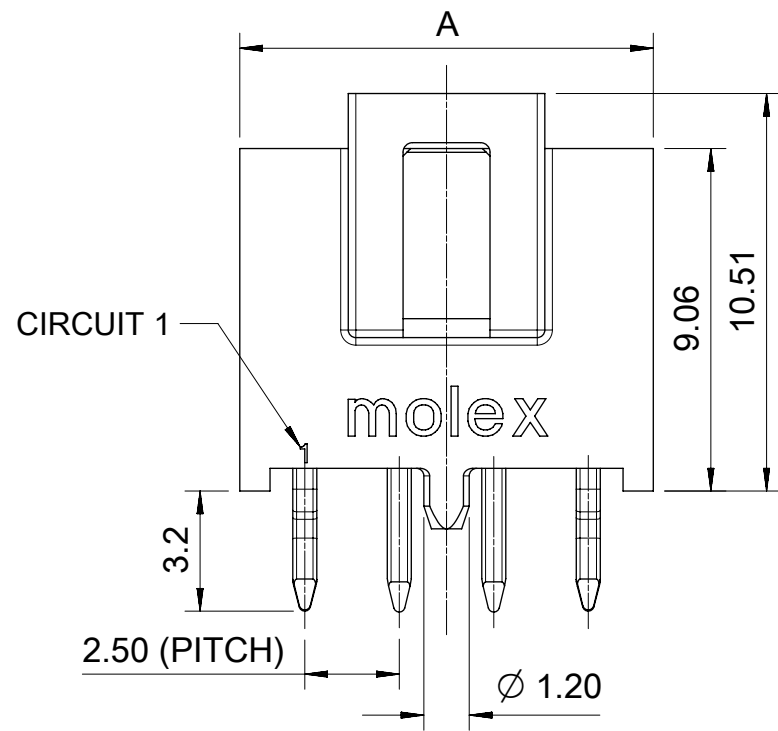
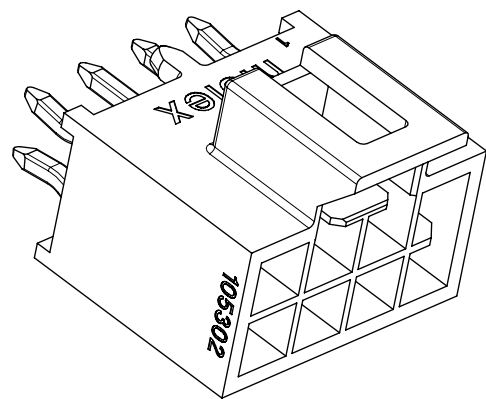


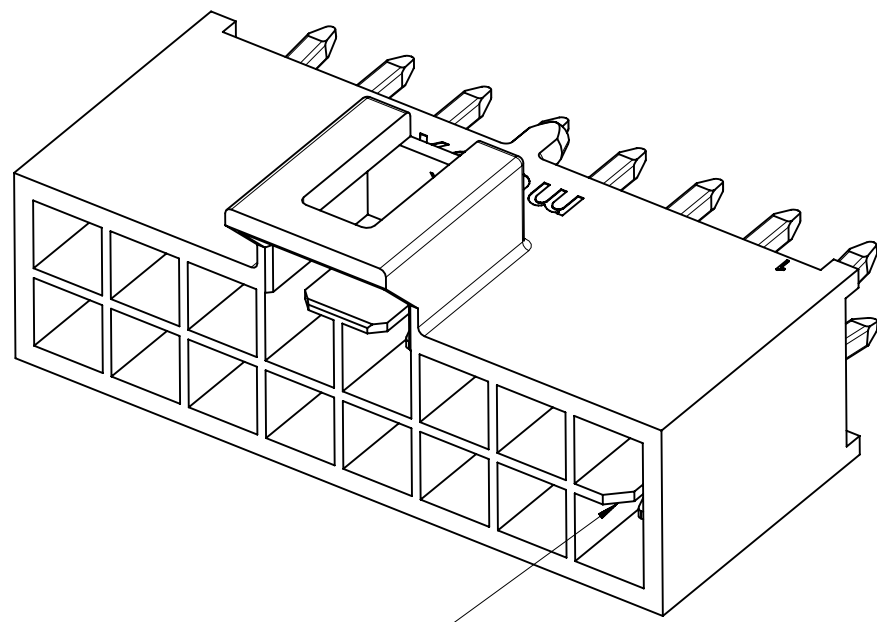
RECOMMENDED PCB(CONNECTOR SIDE VIEW)
THICKNESS=1.6 TO 2.4 MM



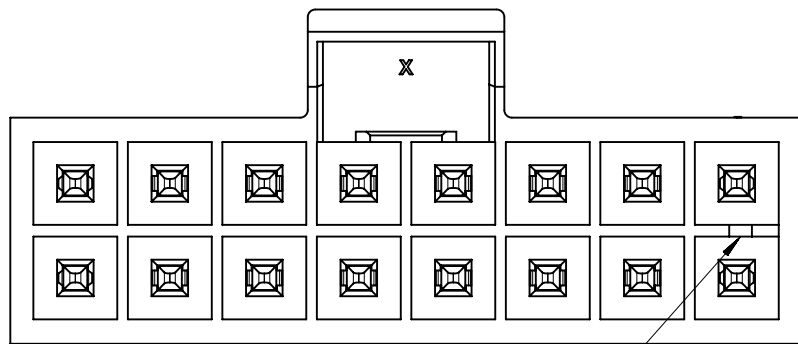
ONLY FOR CKT 6, 10, 14
OTHER DIMENSIONS REFER TO LEFT VIEWS.



| | | | | | | | | | |
|---|--|-------|--|---------------------------|--|---------|--|---|--|
| THIS DRAWING CONTAINS INFORMATION THAT IS PROPRIETARY TO MOLEX ELECTRONIC TECHNOLOGIES, LLC AND SHOULD NOT BE USED WITHOUT WRITTEN PERMISSION | | | | | | | | | |
| DIMENSION UNITS | | SCALE | | CURRENT REV DESC: | | | | | |
| mm | | 5:1 | | | | | | | |
| GENERAL TOLERANCES (UNLESS SPECIFIED) | | | | EC NO: 749038 | | | | HEADER OF NANO-FIT, D/R, KINK, VERTICAL POWER CONNECTOR | |
| ANGULAR TOL ± 3.0° | | | | DRWN: GLLI 2023/05/10 | | | | | |
| 4 PLACES ± | | | | CHK'D: XQZHANG 2023/05/25 | | | | PRODUCT CUSTOMER DRAWING | |
| 3 PLACES ± 0.1 | | | | APPR: XQZHANG 2023/05/25 | | | | | |
| 2 PLACES ± 0.2 | | | | INITIAL REVISION: | | | | DOCUMENT NUMBER SD-105310-100 | |
| 1 PLACE ± 0.3 | | | | DRWN: GLLI 2014/03/21 | | | | | |
| 0 PLACES ± | | | | APPR: AYIN 2015/04/08 | | | | DOC TYPE DOC PART REVISION PSD 000 H1 | |
| DRAFT WHERE APPLICABLE MUST REMAIN WITHIN DIMENSIONS | | | | THIRD ANGLE PROJECTION | | DRAWING | | | |
| | | | | A3-SIZE | | SERIES | | MATERIAL NUMBER | |
| | | | | | | 105310 | | CUSTOMER | |
| | | | | | | | | GENERAL MARKET | |
| | | | | | | | | 1 OF 5 | |

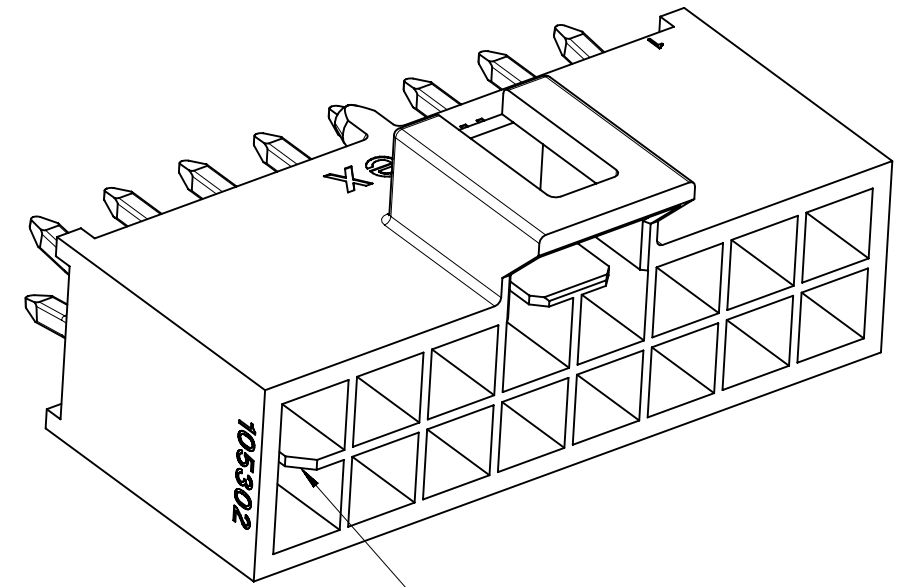


KEY A

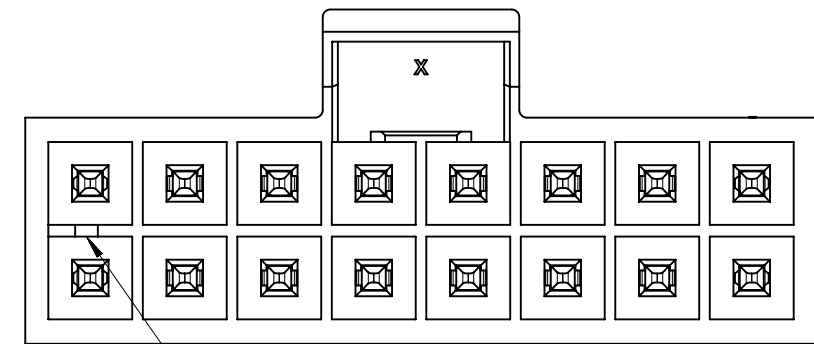


KEY A

BLACK



KEY B



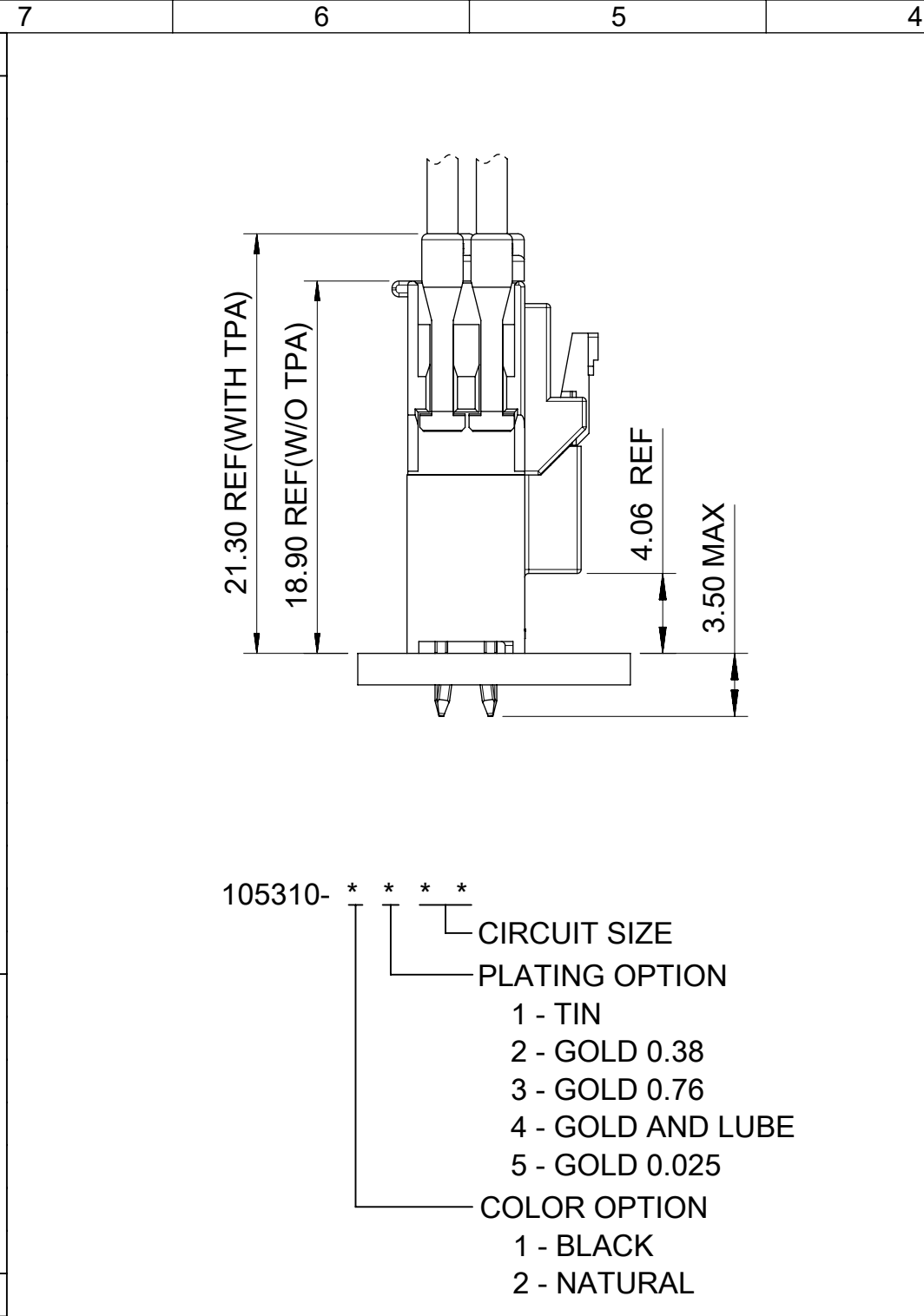
KEY B

NATURAL

COLOR OPTION

| | | | | | | | | | |
|---|---------|-------------------|--------|-----------------|----------------|-----------------|---|----------|----------|
| THIS DRAWING CONTAINS INFORMATION THAT IS PROPRIETARY TO MOLEX ELECTRONIC TECHNOLOGIES, LLC AND SHOULD NOT BE USED WITHOUT WRITTEN PERMISSION | | | | | | | | | |
| DIMENSION UNITS | SCALE | CURRENT REV DESC: | | | | | molex | | |
| mm | 5:1 | | | | | | | | |
| GENERAL TOLERANCES (UNLESS SPECIFIED) | | | | | | | HEADER OF NANO-FIT, D/R, KINK, VERTICAL POWER CONNECTOR | | |
| ANGULAR TOL | ± 3.0 ° | | | | | | PRODUCT CUSTOMER DRAWING | | |
| 4 PLACES | ± | EC NO: 749038 | | | 2023/05/10 | | | | |
| 3 PLACES | ± 0.1 | DRWN: GLLI | | | 2023/05/25 | | | | |
| 2 PLACES | ± 0.2 | CHK'D: XQZHANG | | | 2023/05/25 | | | | |
| 1 PLACE | ± 0.3 | APPR: XQZHANG | | | | | | | |
| 0 PLACES | ± | INITIAL REVISION: | | | | | | | |
| DRAFT WHERE APPLICABLE MUST REMAIN WITHIN DIMENSIONS | | DRWN: GLLI | | | 2014/03/21 | | | | |
| | | APPR: AYIN | | | 2015/04/08 | | | | |
| THIRD ANGLE PROJECTION | | DRAWING | SERIES | MATERIAL NUMBER | CUSTOMER | DOCUMENT NUMBER | DOC TYPE | DOC PART | REVISION |
| | | A3-SIZE | 105310 | | GENERAL MARKET | SD-105310-100 | PSD | 000 | H1 |
| | | | | | SHEET NUMBER | | 2 OF 5 | | |

| PART NUMBER | DIM 'A' | DIM 'B' | CKT SIZE | PLATING | LUBE |
|--------------|---------|---------|----------|-----------|------|
| 105310-1104 | 5.94 | 2.50 | 4 | TIN | |
| 105310-1106 | 8.44 | 5.00 | 6 | | |
| 105310-1108 | 10.94 | 7.50 | 8 | | |
| 105310-1110 | 13.44 | 10.00 | 10 | | |
| 105310-1112 | 15.94 | 12.50 | 12 | | |
| 105310-1114 | 18.44 | 15.00 | 14 | | |
| 105310-1116 | 20.94 | 17.50 | 16 | | |
| 105310-1204 | 5.94 | 2.50 | 4 | | |
| 105310-1206 | 8.44 | 5.00 | 6 | | |
| 105310-1208 | 10.94 | 7.50 | 8 | | |
| 105310-1210 | 13.44 | 10.00 | 10 | | |
| 105310-1212 | 15.94 | 12.50 | 12 | | |
| 105310-1214 | 18.44 | 15.00 | 14 | | |
| 105310-1216 | 20.94 | 17.50 | 16 | | |
| 105310-1304 | 5.94 | 2.50 | 4 | GOLD 0.76 | |
| 105310-1306 | 8.44 | 5.00 | 6 | | |
| 105310-1308 | 10.94 | 7.50 | 8 | | |
| 105310-1310 | 13.44 | 10.00 | 10 | | |
| 105310-1312 | 15.94 | 12.50 | 12 | | |
| 105310-1314 | 18.44 | 15.00 | 14 | | |
| 105310-1316 | 20.94 | 17.50 | 16 | | |
| 105310-1404 | 5.94 | 2.50 | 4 | | |
| 105310-1406 | 8.44 | 5.00 | 6 | | |
| 105310-1408 | 10.94 | 7.50 | 8 | | |
| 105310-1410 | 13.44 | 10.00 | 10 | | |
| 105310-1412 | 15.94 | 12.50 | 12 | | |
| 105310-1414 | 18.44 | 15.00 | 14 | | |
| 105310-1416 | 20.94 | 17.50 | 16 | | |
| COLOR: BLACK | | | | | |



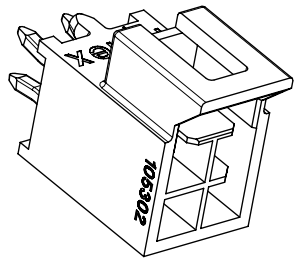
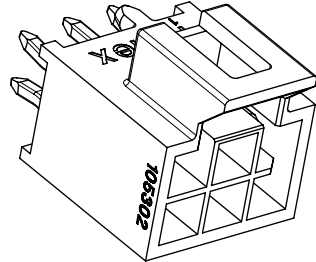
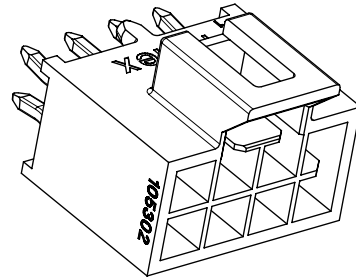
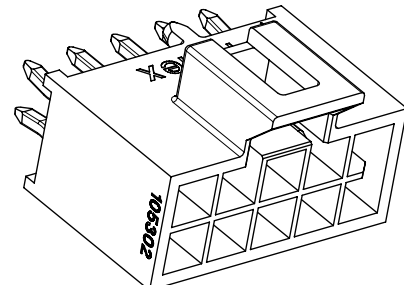
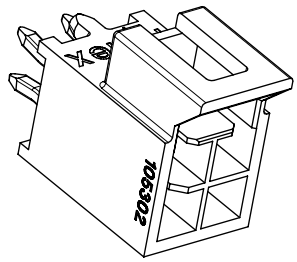
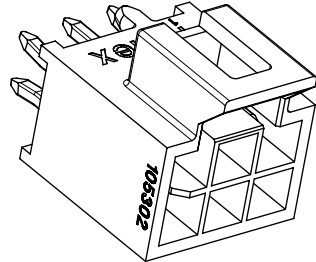
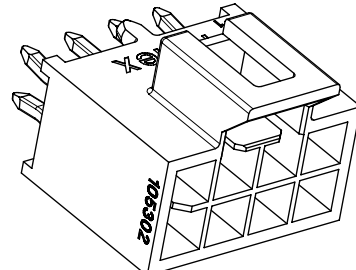
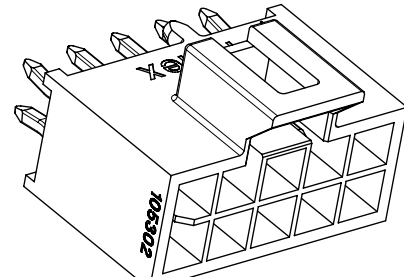
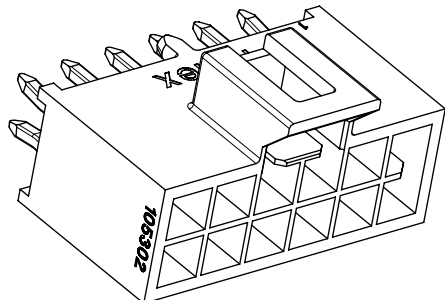
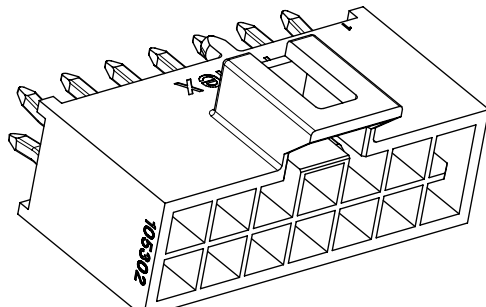
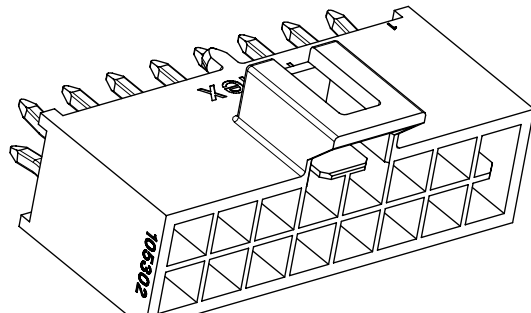
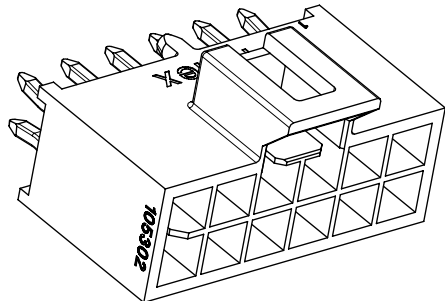
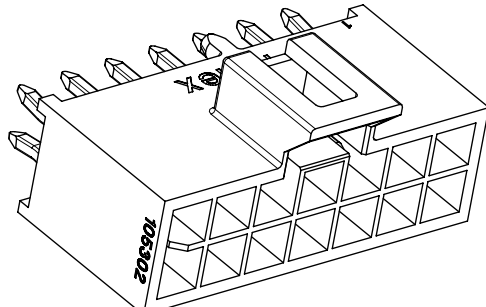
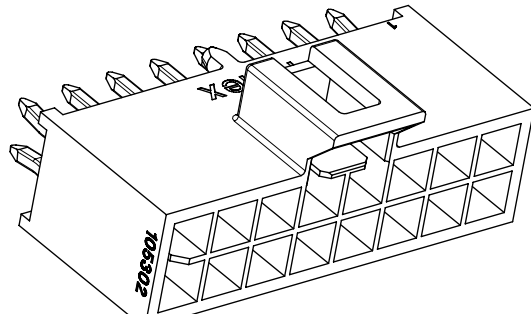
| PART NUMBER | DIM 'A' | DIM 'B' | CKT SIZE | PLATING | LUBE |
|----------------|---------|---------|----------|-----------|------|
| 105310-2104 | 5.94 | 2.50 | 4 | TIN | |
| 105310-2106 | 8.44 | 5.00 | 6 | | |
| 105310-2108 | 10.94 | 7.50 | 8 | | |
| 105310-2110 | 13.44 | 10.00 | 10 | | |
| 105310-2112 | 15.94 | 12.50 | 12 | | |
| 105310-2114 | 18.44 | 15.00 | 14 | | |
| 105310-2116 | 20.94 | 17.50 | 16 | | |
| 105310-2204 | 5.94 | 2.50 | 4 | | |
| 105310-2206 | 8.44 | 5.00 | 6 | | |
| 105310-2208 | 10.94 | 7.50 | 8 | | |
| 105310-2210 | 13.44 | 10.00 | 10 | | |
| 105310-2212 | 15.94 | 12.50 | 12 | | |
| 105310-2214 | 18.44 | 15.00 | 14 | | |
| 105310-2216 | 20.94 | 17.50 | 16 | | |
| 105310-2304 | 5.94 | 2.50 | 4 | GOLD 0.76 | |
| 105310-2306 | 8.44 | 5.00 | 6 | | |
| 105310-2308 | 10.94 | 7.50 | 8 | | |
| 105310-2310 | 13.44 | 10.00 | 10 | | |
| 105310-2312 | 15.94 | 12.50 | 12 | | |
| 105310-2314 | 18.44 | 15.00 | 14 | | |
| 105310-2316 | 20.94 | 17.50 | 16 | | |
| 105310-2404 | 5.94 | 2.50 | 4 | | |
| 105310-2406 | 8.44 | 5.00 | 6 | | |
| 105310-2408 | 10.94 | 7.50 | 8 | | |
| 105310-2410 | 13.44 | 10.00 | 10 | | |
| 105310-2412 | 15.94 | 12.50 | 12 | | |
| 105310-2414 | 18.44 | 15.00 | 14 | | |
| 105310-2416 | 20.94 | 17.50 | 16 | | |
| COLOR: NATURAL | | | | | |

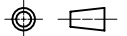
| PART NUMBER | DIM 'A' | DIM 'B' | CKT SIZE | PLATING | LUBE |
|--------------|---------|---------|----------|------------|------|
| 105310-1504 | 5.94 | 2.50 | 4 | GOLD 0.025 | NO |
| 105310-1506 | 8.44 | 5.00 | 6 | | |
| 105310-1508 | 10.94 | 7.50 | 8 | | |
| 105310-1510 | 13.44 | 10.00 | 10 | | |
| 105310-1512 | 15.94 | 12.50 | 12 | | |
| 105310-1514 | 18.44 | 15.00 | 14 | | |
| 105310-1516 | 20.94 | 17.50 | 16 | | |
| COLOR: BLACK | | | | | |

| PART NUMBER | DIM 'A' | DIM 'B' | CKT SIZE | PLATING | LUBE |
|----------------|---------|---------|----------|------------|------|
| 105310-2504 | 5.94 | 2.50 | 4 | GOLD 0.025 | NO |
| 105310-2506 | 8.44 | 5.00 | 6 | | |
| 105310-2508 | 10.94 | 7.50 | 8 | | |
| 105310-2510 | 13.44 | 10.00 | 10 | | |
| 105310-2512 | 15.94 | 12.50 | 12 | | |
| 105310-2514 | 18.44 | 15.00 | 14 | | |
| 105310-2516 | 20.94 | 17.50 | 16 | | |
| COLOR: NATURAL | | | | | |

THIS DRAWING CONTAINS INFORMATION THAT IS PROPRIETARY TO MOLEX ELECTRONIC TECHNOLOGIES, LLC AND SHOULD NOT BE USED WITHOUT WRITTEN PERMISSION

| | | | |
|--|------------|---|-----------------|
| DIMENSION UNITS: mm | SCALE: 5:1 | CURRENT REV DESC: | |
| GENERAL TOLERANCES (UNLESS SPECIFIED) | | HEADER OF NANO-FIT, D/R, KINK, VERTICAL POWER CONNECTOR PRODUCT CUSTOMER DRAWING | |
| ANGULAR TOL | ± 3.0° | | |
| 4 PLACES | ± | | |
| 3 PLACES | ± 0.1 | | |
| 2 PLACES | ± 0.2 | EC NO: 749038 | 2023/05/10 |
| 1 PLACE | ± 0.3 | DRWN: GLLI | 2023/05/25 |
| 0 PLACES | ± | CHK'D: XQZHANG | 2023/05/25 |
| DRAFT WHERE APPLICABLE MUST REMAIN WITHIN DIMENSIONS | | APPR: XQZHANG | 2023/05/25 |
| THIRD ANGLE PROJECTION | | INITIAL REVISION: | DOCUMENT NUMBER |
| DRAWING: A3-SIZE | | DRWN: GLLI | SD-105310-100 |
| SERIES: 105310 | | APPR: AYIN | DOC TYPE: PSD |
| MATERIAL NUMBER | | 2014/03/21 | DOC PART: 000 |
| CUSTOMER: GENERAL MARKET | | 2015/04/08 | REVISION: H1 |
| SHEET NUMBER: 3 OF 5 | | | |

| | | | | | |
|---|---------|--|---|---|---|
| | | 4 CKT | 6 CKT | 8 CKT | 10 CKT |
| F | BLACK |  |  |  |  |
| E | NATURAL |  |  |  |  |
| | | 12 CKT | 14 CKT | 16 CKT | |
| D | BLACK |  |  |  | |
| C | NATURAL |  |  |  | |

| | | | | | | | | | | | | |
|---|--|---|--|--|--|--------|--|---|--|----------|----------|--------------|
| THIS DRAWING CONTAINS INFORMATION THAT IS PROPRIETARY TO MOLEX ELECTRONIC TECHNOLOGIES, LLC AND SHOULD NOT BE USED WITHOUT WRITTEN PERMISSION | | | | | | | | | | | | |
| DIMENSION UNITS | | SCALE | | CURRENT REV DESC: | | | | molex | | | | |
| mm | | 3:1 | | | | | | | | | | |
| GENERAL TOLERANCES (UNLESS SPECIFIED) | | | | EC NO: 749038 DRWN: GLLI 2023/05/10 CHK'D: XQZHANG 2023/05/25 APPR: XQZHANG 2023/05/25 INITIAL REVISION: DRWN: GLLI 2014/03/21 APPR: AYIN 2015/04/08 | | | | HEADER OF NANO-FIT, D/R, KINK, VERTICAL POWER CONNECTOR | | | | |
| ANGULAR TOL ± 3.0° | | | | | | | | PRODUCT CUSTOMER DRAWING | | | | |
| 4 PLACES ± | | 3 PLACES ± 0.1 | | | | | | DOCUMENT NUMBER | | DOC TYPE | DOC PART | REVISION |
| 2 PLACES ± 0.2 | | 1 PLACE ± 0.3 | | | | | | SD-105310-100 | | PSD | 000 | H1 |
| 0 PLACES ± | | DRAFT WHERE APPLICABLE MUST REMAIN WITHIN DIMENSIONS | | | | | | MATERIAL NUMBER | | CUSTOMER | | SHEET NUMBER |
| | | THIRD ANGLE PROJECTION | | | | | | DRAWING | | SERIES | | |
| | |  | | A3-SIZE | | 105310 | | GENERAL MARKET | | | | |
| | | | | | | | | 4 OF 5 | | | | |

NOTES FOR ALL PARTS

1> MATERIAL:
 HOUSING: LCP, UL 94V-0; TERMINAL: BRASS.

2> PLATING FINISHED:
 TERMINAL:
 CONTACT AREA: a. REFLOWED MATTE TIN 1.5MICRONS MIN;
 b. GOLD 0.38 MICRONS MIN;
 c. GOLD 0.76 MICRONS MIN.
 d. GOLD 0.025 MICRONS MIN.

SOLDER AREA: TIN 1.5 MICRONS MIN, UNDER PLATING NICKEL 1.25 MICRONS MIN.

SOLDER CLIP: TIN 2.5 MICRONS MIN, UNDER PLATING NICKEL 1.25 MICRONS MIN.

3> PRODUCT SPECIFICATION: PS-105300-100.

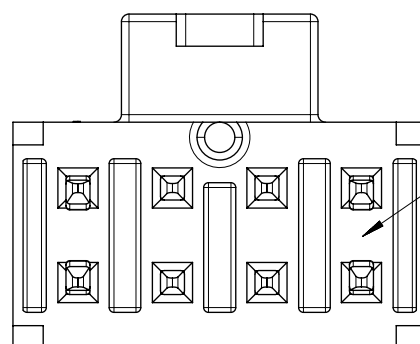
4> PACKAGE: TRAY, PK-105309-100.

5> ALL COMPONENTS AND PRODUCT COMPLIANT TO RoHS DIRECTIVE 2011/65/EU AND ELV DIRECTIVE 2000/53/EC.

6> PRODUCT MATE WITH SERIES OF 105308(RECEPTACLE), 105300(CRIMP TERMINAL).

7> PARTS CONFORM TO CLASS 'B'REQUIREMENTS OF COSMETIC SPECIFICATION PS-45499-002.

8> DISCOLORATION IN THE BANDOLIER PIN CARRIER AREA OF THE PIN IS INHERENT TO THE PLATING PROCESS AND IS DUE TO THE MASKING DEFECT OF THE CARRIER, THIS DISCOLORATION IS IN A NON-FUNCTION AREA OF THE PIN AND WILL NOT AFFECT THE PERFORMANCE OF THE HEADER ASSEMBLY.



IF ANY NUMBER MARK APPEARS ON THIS SURFACE, PLEASE DISREGARD IT, IT IS NO ANY FUCTION AND NO ANY RELATION TO PIN NUMBER, IT IS JUST FOR MOLDING IDENDIFICATION.

| | | | | | | | | | | |
|---|-------|---------------------------|--|---------|--------|---|--|----------------|----------|--------------|
| THIS DRAWING CONTAINS INFORMATION THAT IS PROPRIETARY TO MOLEX ELECTRONIC TECHNOLOGIES, LLC AND SHOULD NOT BE USED WITHOUT WRITTEN PERMISSION | | | | | | | | | | |
| DIMENSION UNITS | SCALE | CURRENT REV DESC: | | | | molex | | | | |
| mm | 1:1 | | | | | | | | | |
| GENERAL TOLERANCES (UNLESS SPECIFIED) | | EC NO: 749038 | | | | HEADER OF NANO-FIT, D/R, KINK, VERTICAL POWER CONNECTOR | | | | |
| ANGULAR TOL ± 3.0 ° | | DRWN: GLLI 2023/05/10 | | | | PRODUCT CUSTOMER DRAWING | | | | |
| 4 PLACES ± | | CHK'D: XQZHANG 2023/05/25 | | | | DOCUMENT NUMBER | | | | |
| 3 PLACES ± 0.1 | | APPR: XQZHANG 2023/05/25 | | | | SD-105310-100 | | DOC TYPE | DOC PART | REVISION |
| 2 PLACES ± 0.2 | | INITIAL REVISION: | | | | 2014/03/21 | | PSD 000 H1 | | |
| 1 PLACE ± 0.3 | | DRWN: GLLI 2015/04/08 | | | | MATERIAL NUMBER | | CUSTOMER | | SHEET NUMBER |
| 0 PLACES ± | | APPR: AYIN | | | | A3-SIZE | | GENERAL MARKET | | 5 OF 5 |
| DRAFT WHERE APPLICABLE MUST REMAIN WITHIN DIMENSIONS | | THIRD ANGLE PROJECTION | | DRAWING | SERIES | MATERIAL NUMBER | | CUSTOMER | | SHEET NUMBER |
| | | | | A3-SIZE | 105310 | | | GENERAL MARKET | | 5 OF 5 |