

注記  
NOTES

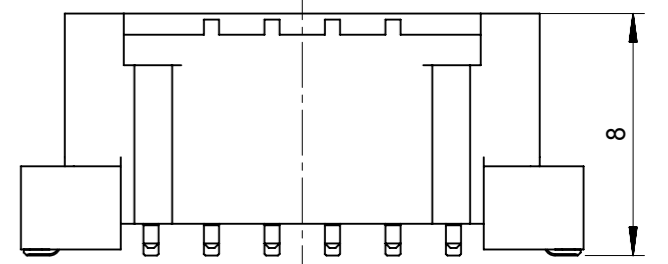
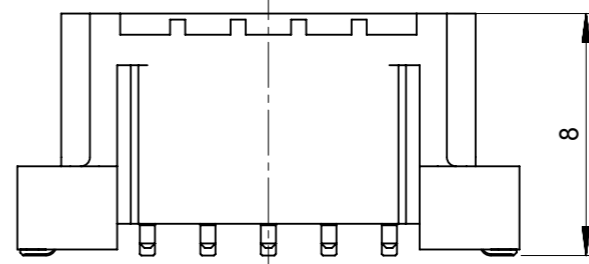
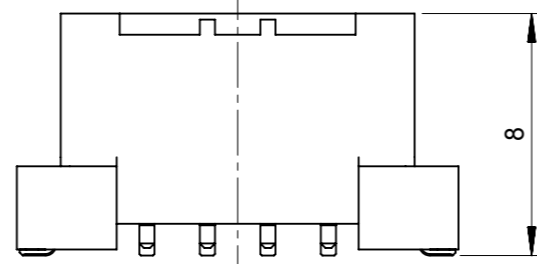
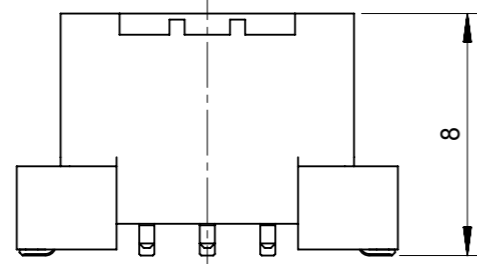
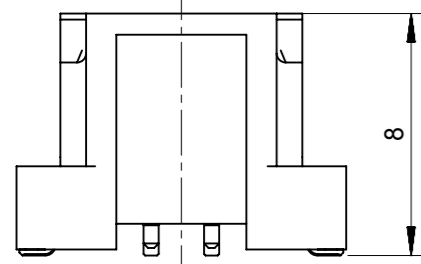
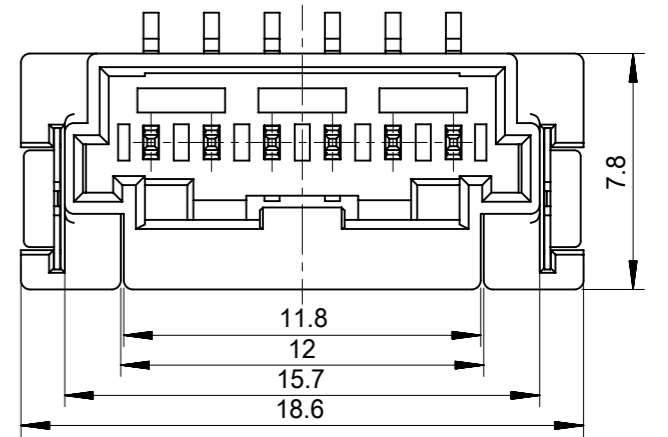
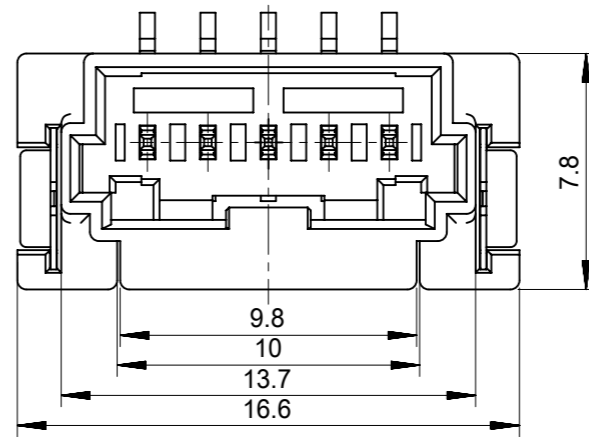
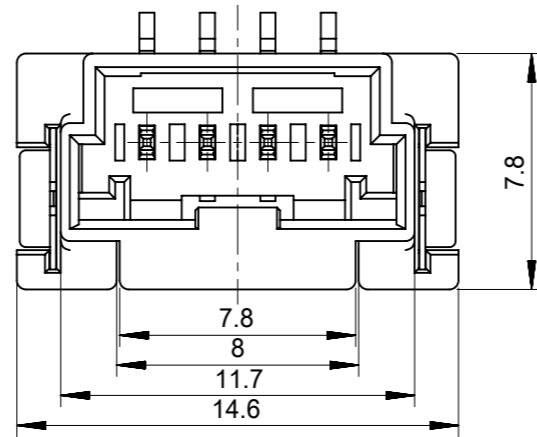
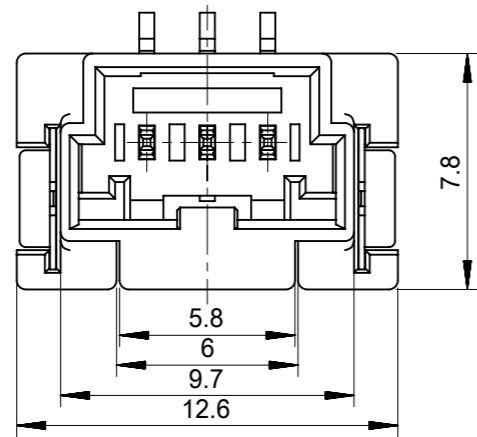
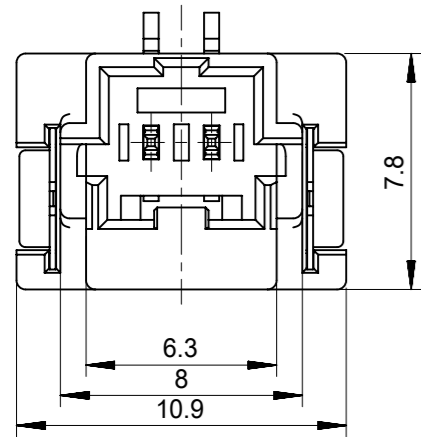
- 材質  
ウエハー: 耐熱性ナイロン UL94V-0  
ピン: 銅合金、ニッケル下地、錫メッキ、金メッキ  
フィッティングネール: 銅合金、ニッケル下地、錫メッキ  
MATERIAL  
WAFER: POLYAMIDE UL94V-0  
PIN: COPPER ALLOY, GOLD OR TIN OVER NICKEL PLATE.  
FINNTING NAIL: COPPER ALLOY, TIN OVER NICKEL PLATE.
- 色: ナチュラル、黒、赤、青  
COLOR: NATURAL, BLACK, RED, BLUE
- 嵌合相手:  
ハウジング: 502351-\*\*0\*  
錫メッキ端子: 50212-8\*00, 50372-8\*00, 560085-0101  
金メッキ端子: 56161-8\*81  
MATES WITH  
HOUSING: 502351-\*\*0\*  
SN PLATING TERMINAL: 50212-8\*00, 50372-8\*00, 560085-0101  
AU PLATING TERMINAL: 56161-8\*81

- インボス梱包品の詳細はSD-560020-002参照  
DETAILED TAPING PACKAGE, SEE SD-560020-002
- 半田付け面のコプラナリティ: 0.1mm MAX.  
CO-PLANARITY OF SOLDER TAILS TO BE 0.1mm MAX.
- 一般公差  
GENERAL TOLERANCES  
10 UNDER: ±0.2  
10 OVER 30 UNDER: ±0.25  
30 OVER: ±0.3  
ANGULAR: ±1°

INITIAL REVISION:

DRWN	SHSHIBATA	2009/02/18
CHECK	HKOMATSU	2009/02/18
APPR	AKANESHIGE	2009/02/18

FUNCTIONAL SYMBOLS	THIS DRAWING CONTAINS INFORMATION THAT IS PROPRIETARY TO MOLEX ELECTRONIC TECHNOLOGIES, LLC AND SHOULD NOT BE USED WITHOUT WRITTEN PERMISSION		CURRENT REV DESC:	
	FA = 0	mm	SCALE	5:1
DIVISIONAL SYMBOLS	GENERAL TOLERANCES (UNLESS SPECIFIED)		EC NO: 635305	
	FB = 0	MM	INCH	DRWN: MUNEMOTO 2020/04/02
FUNCTIONAL SYMBOLS	FC = 0	4 PLACES ±	3 PLACES ±	CHK'D: HIJIMA 2020/04/03
	FD = 0	2 PLACES ±	1 PLACE ±	APPR: TOSADA 2020/04/06
ANGULAR TOL ± °		INITIAL REVISION:		DOCUMENT NUMBER
DRAFT WHERE APPLICABLE MUST REMAIN WITHIN DIMENSIONS		THIRD ANGLE PROJECTION		SD-560020-001
DRAWING		SERIES		DOC TYPE
A3-SIZE		560020		PSD
MATERIAL NUMBER		CUSTOMER		DOC PART
GENERAL MARKET		GENERAL MARKET		001
SHEET NUMBER		1 OF 4		REVISION
				K



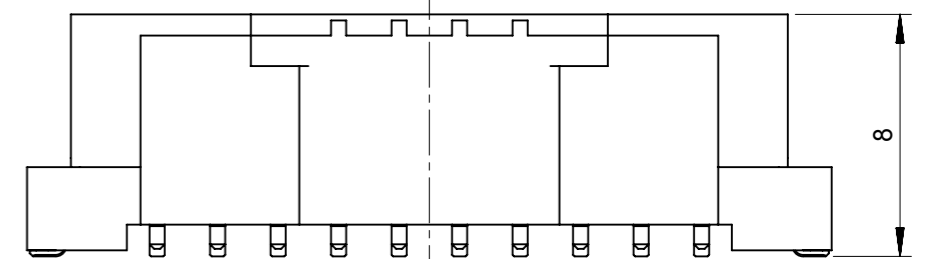
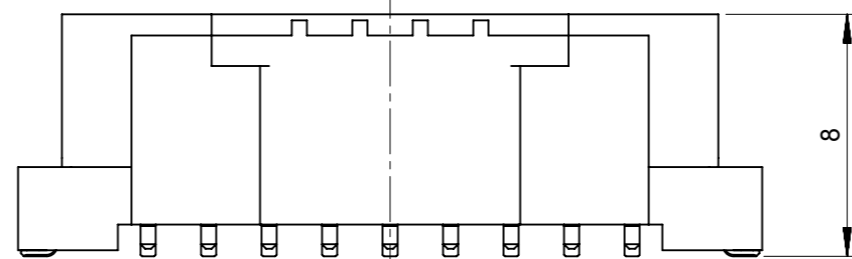
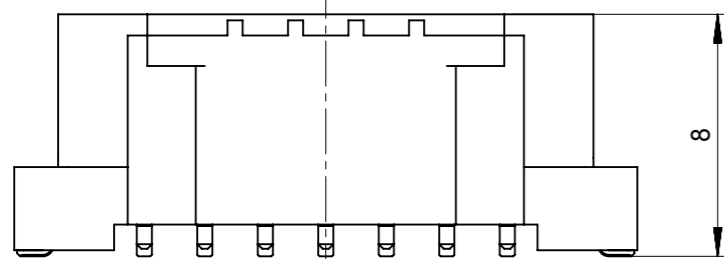
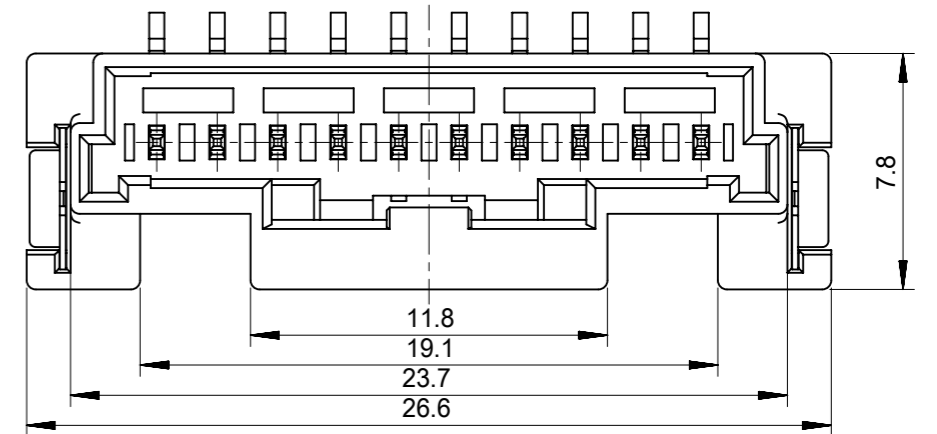
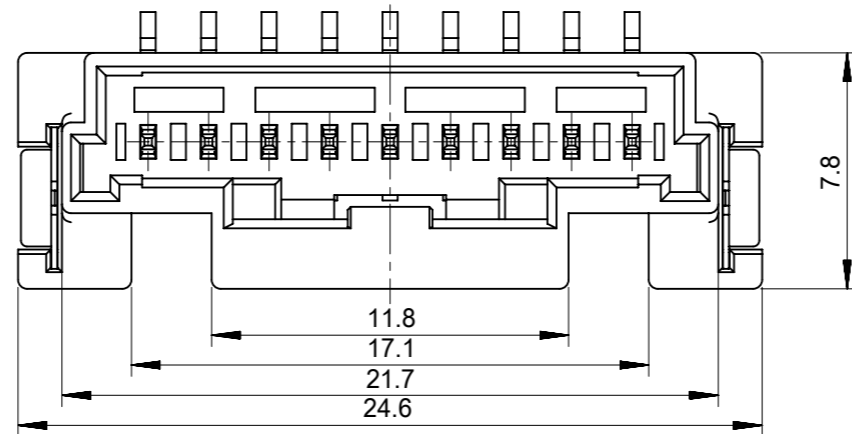
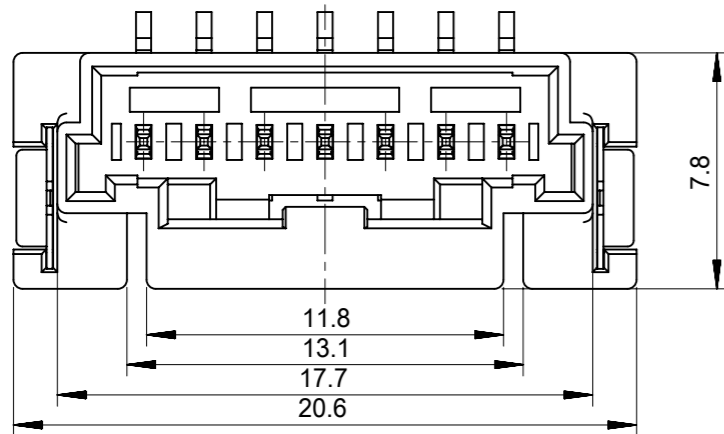
2CKTS

3CKTS

4CKTS

5CKTS

6CKTS



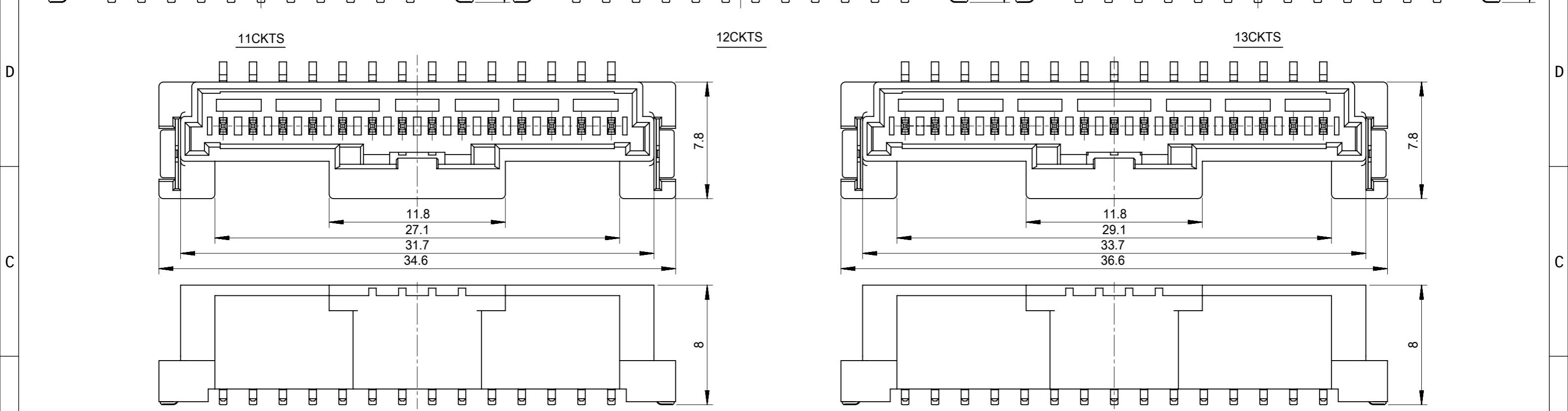
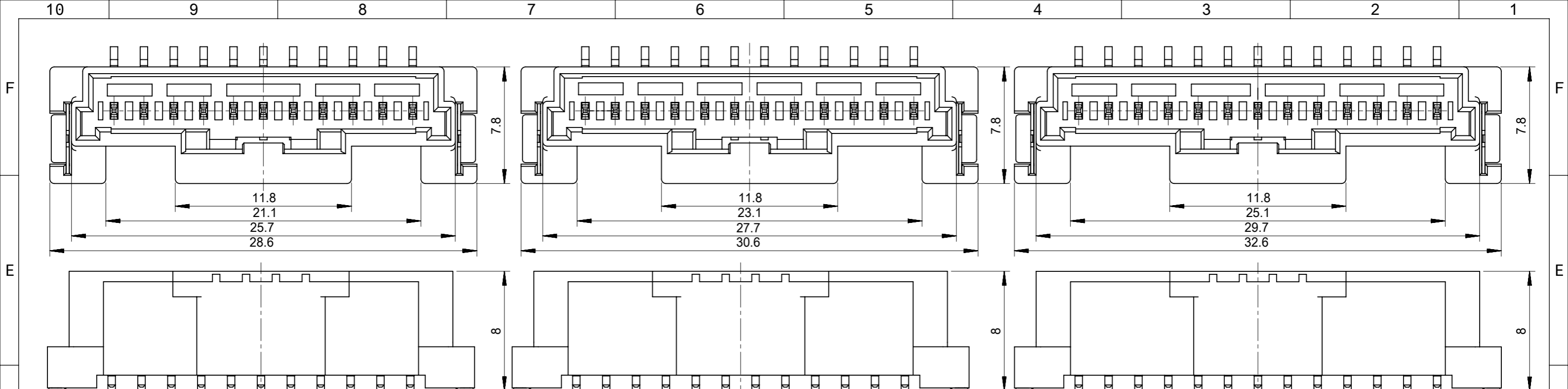
7CKTS

9CKTS

10CKTS

INITIAL REVISION:  
 DRWN SHSHIBATA 2009/02/18  
 CHECK HKOMATSU 2009/02/18  
 APPR AKANESHIGE 2009/02/18

FUNCTIONAL SYMBOLS FA = 0 FB = 0 FC = 0	THIS DRAWING CONTAINS INFORMATION THAT IS PROPRIETARY TO MOLEX ELECTRONIC TECHNOLOGIES, LLC AND SHOULD NOT BE USED WITHOUT WRITTEN PERMISSION		CURRENT REV DESC:										
	DIMENSION UNITS mm	SCALE 4:1	EC NO: 635305 DRWN: MUNEMOTO 2020/04/02 CHK'D: HIJIMA 2020/04/03 APPR: TOSADA 2020/04/06			2.0MM PITCH W/B CONN. WAFER ASSY ST. SMT							
DIVISIONAL SYMBOLS	GENERAL TOLERANCES (UNLESS SPECIFIED)		INITIAL REVISION:		PRODUCT CUSTOMER DRAWING								
	4 PLACES ±	3 PLACES ±	2 PLACES ±	1 PLACE ±	0 PLACES ±	<table border="1"> <tr> <td>DOCUMENT NUMBER</td> <td>DOC TYPE</td> <td>DOC PART</td> <td>REVISION</td> </tr> <tr> <td>SD-560020-001</td> <td>PSD</td> <td>001</td> <td>K</td> </tr> </table>	DOCUMENT NUMBER	DOC TYPE	DOC PART	REVISION	SD-560020-001	PSD	001
DOCUMENT NUMBER	DOC TYPE	DOC PART	REVISION										
SD-560020-001	PSD	001	K										
DRAFT WHERE APPLICABLE MUST REMAIN WITHIN DIMENSIONS		THIRD ANGLE PROJECTION	DRAWING A3-SIZE	SERIES 560020	<table border="1"> <tr> <td>MATERIAL NUMBER</td> <td>CUSTOMER</td> <td>SHEET NUMBER</td> </tr> <tr> <td></td> <td>GENERAL MARKET</td> <td>2 OF 4</td> </tr> </table>	MATERIAL NUMBER	CUSTOMER	SHEET NUMBER		GENERAL MARKET	2 OF 4		
MATERIAL NUMBER	CUSTOMER	SHEET NUMBER											
	GENERAL MARKET	2 OF 4											



INITIAL REVISION:  
 DRWN SHSHIBATA 2009/02/18  
 CHECK HKOMATSU 2009/02/18  
 APPR AKANESHIGE 2009/02/18

FUNCTIONAL SYMBOLS FA = 0 FB = 0 FP = 0	THIS DRAWING CONTAINS INFORMATION THAT IS PROPRIETARY TO MOLEX ELECTRONIC TECHNOLOGIES, LLC AND SHOULD NOT BE USED WITHOUT WRITTEN PERMISSION		CURRENT REV DESC:		
	DIMENSION UNITS: mm    SCALE: 4:1 GENERAL TOLERANCES (UNLESS SPECIFIED): 4 PLACES: ±    MM    INCH 3 PLACES: ±    MM    INCH 2 PLACES: ±    MM    INCH 1 PLACE: ±    MM    INCH 0 PLACES: ±    MM    INCH ANGULAR TOL: ± °		EC NO: 635305 DRWN: MUNEMOTO 2020/04/02 CHK'D: HIJIMA 2020/04/03 APPR: TOSADA 2020/04/06		
DIVISIONAL SYMBOLS	DRAFT WHERE APPLICABLE MUST REMAIN WITHIN DIMENSIONS		THIRD ANGLE PROJECTION	DRAWING: A3-SIZE	SERIES: 560020
DOCUMENT NUMBER: SD-560020-001 DOC TYPE: PSD DOC PART: 001 REVISION: K			MATERIAL NUMBER: 0099/99/99 CUSTOMER: GENERAL MARKET		SHEET NUMBER: 3 OF 4

Sn NATURAL	11.8	29.1	33.7	36.6	560020-1520	15
	11.8	27.1	31.7	34.6	560020-1420	14
	11.8	25.1	29.7	32.6	560020-1320	13
	11.8	23.1	27.7	30.6	560020-1220	12
	11.8	21.1	25.7	28.6	560020-1120	11
	11.8	19.1	23.7	26.6	560020-1020	10
	11.8	17.1	21.7	24.6	560020-0920	9
	11.8	15.1	19.7	22.6	560020-0820	8
	11.8	13.1	17.7	20.6	560020-0720	7
	11.8	12	15.7	18.6	560020-0620	6
	9.8	10	13.7	16.6	560020-0520	5
	7.8	8	11.7	14.6	560020-0420	4
	5.8	6	9.7	12.6	560020-0320	3
	6.3	/	8.0	10.9	560020-0220	2
PLATING COLOR	D	C	B	A	EMBOSSED PACKAGE ORDER NO.	CKTS
CONNECTOR SERIES NO. 560020-**08						

Au NATURAL	11.8	29.1	33.7	36.6	560020-1530	15
	11.8	27.1	31.7	34.6	560020-1430	14
	11.8	25.1	29.7	32.6	560020-1330	13
	11.8	23.1	27.7	30.6	560020-1230	12
	11.8	21.1	25.7	28.6	560020-1130	11
	11.8	19.1	23.7	26.6	560020-1030	10
	11.8	17.1	21.7	24.6	560020-0930	9
	11.8	15.1	19.7	22.6	560020-0830	8
	11.8	13.1	17.7	20.6	560020-0730	7
	11.8	12	15.7	18.6	560020-0630	6
	9.8	10	13.7	16.6	560020-0530	5
	7.8	8	11.7	14.6	560020-0430	4
	5.8	6	9.7	12.6	560020-0330	3
	6.3	/	8.0	10.9	560020-0230	2
PLATING COLOR	D	C	B	A	EMBOSSED PACKAGE ORDER NO.	CKTS
CONNECTOR SERIES NO. 560020-**18						

Sn BLACK	11.8	29.1	33.7	36.6	560020-1521	15
	11.8	27.1	31.7	34.6	560020-1421	14
	11.8	25.1	29.7	32.6	560020-1321	13
	11.8	23.1	27.7	30.6	560020-1221	12
	11.8	21.1	25.7	28.6	560020-1121	11
	11.8	19.1	23.7	26.6	560020-1021	10
	11.8	17.1	21.7	24.6	560020-0921	9
	11.8	15.1	19.7	22.6	560020-0821	8
	11.8	13.1	17.7	20.6	560020-0721	7
	11.8	12	15.7	18.6	560020-0621	6
	9.8	10	13.7	16.6	560020-0521	5
	7.8	8	11.7	14.6	560020-0421	4
	5.8	6	9.7	12.6	560020-0321	3
	6.3	/	8.0	10.9	560020-0221	2
PLATING COLOR	D	C	B	A	EMBOSSED PACKAGE ORDER NO.	CKTS
CONNECTOR SERIES NO. 560020-**28						

Sn RED	/	/	/	/	/	15
	/	/	/	/	/	14
	/	/	/	/	/	13
	/	/	/	/	/	12
	/	/	/	/	/	11
	/	/	/	/	/	10
	/	/	/	/	/	9
	11.8	15.1	19.7	22.6	560020-0822	8
	/	/	/	/	/	7
	11.8	12	15.7	18.6	560020-0622	6
	/	/	/	/	/	5
	7.8	8	11.7	14.6	560020-0422	4
	5.8	6	9.7	12.6	560020-0322	3
	6.3	/	8.0	10.9	560020-0222	2
PLATING COLOR	D	C	B	A	EMBOSSED PACKAGE ORDER NO.	CKTS
CONNECTOR SERIES NO. 560020-**48						

Sn BLUE	/	/	/	/	/	15
	/	/	/	/	/	14
	/	/	/	/	/	13
	/	/	/	/	/	12
	/	/	/	/	/	11
	/	/	/	/	/	10
	/	/	/	/	/	9
	11.8	15.1	19.7	22.6	560020-0823	8
	/	/	/	/	/	7
	11.8	12	15.7	18.6	560020-0623	6
	/	/	/	/	/	5
	7.8	8	11.7	14.6	560020-0423	4
	5.8	6	9.7	12.6	560020-0323	3
	6.3	/	8.0	10.9	560020-0223	2
PLATING COLOR	D	C	B	A	EMBOSSED PACKAGE ORDER NO.	CKTS
CONNECTOR SERIES NO. 560020-**68						

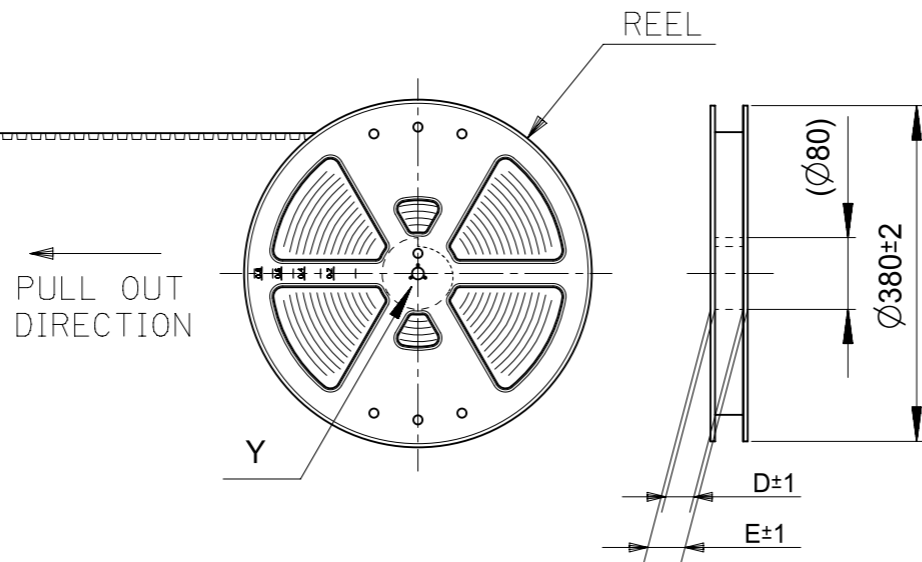
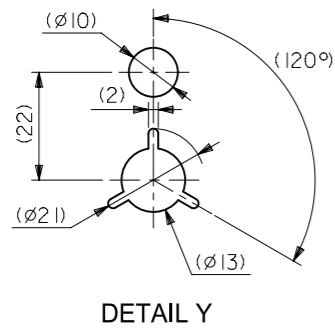
INITIAL REVISION:  
 DRWN SHSHIBATA 2009/02/18  
 CHECK HKOMATSU 2009/02/18  
 APPR AKANESHIGE 2009/02/18

FUNCTIONAL SYMBOLS		THIS DRAWING CONTAINS INFORMATION THAT IS PROPRIETARY TO MOLEX ELECTRONIC TECHNOLOGIES, LLC AND SHOULD NOT BE USED WITHOUT WRITTEN PERMISSION	
FA=0	mm	SCALE 1:1	CURRENT REV DESC:
FE=0	GENERAL TOLERANCES (UNLESS SPECIFIED)		
FP=0	MM INCH		
DIVISIONAL SYMBOLS		4 PLACES ±	EC NO: 635305
		3 PLACES ±	DRWN: MUNEMOTO 2020/04/02
		2 PLACES ±	CHK'D: HIJIMA 2020/04/03
		1 PLACE ±	APPR: TOSADA 2020/04/06
		0 PLACES ±	INITIAL REVISION:
		ANGULAR TOL ± °	DRWN: DRAWN BY 0099/99/99
DRAFT WHERE APPLICABLE MUST REMAIN WITHIN DIMENSIONS		THIRD ANGLE PROJECTION	APPR: APPR BY 0099/99/99
		DRAWING A3-SIZE	SERIES 560020
		MATERIAL NUMBER	CUSTOMER GENERAL MARKET
		DOCUMENT NUMBER SD-560020-001	DOC TYPE PSD
		DOC PART 001	REVISION K
		SHEET NUMBER 4 OF 4	



2.0MM PITCH W/B CONN.  
 WAFER ASSY ST. SMT

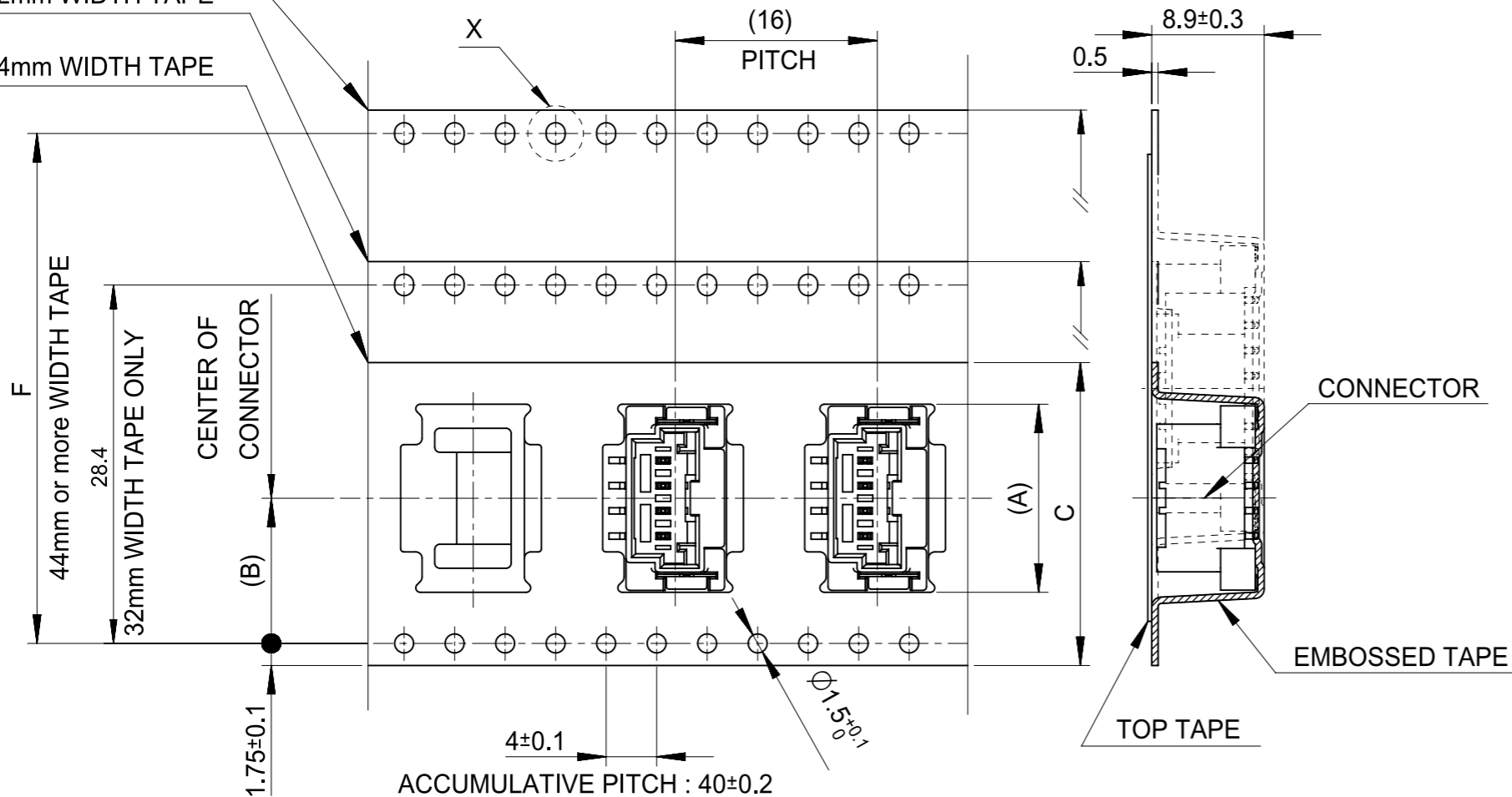
PRODUCT CUSTOMER DRAWING



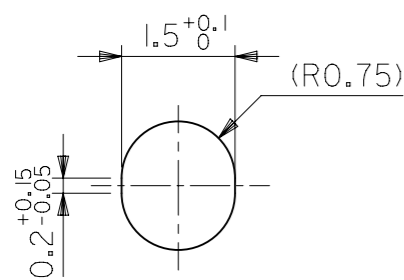
44mm or more  
WIDTH TAPE

32mm WIDTH TAPE

24mm WIDTH TAPE



PULL OUT DIRECTION  
DIRECTION OF CONNECTOR  
IN EMBOSSSED TAPE



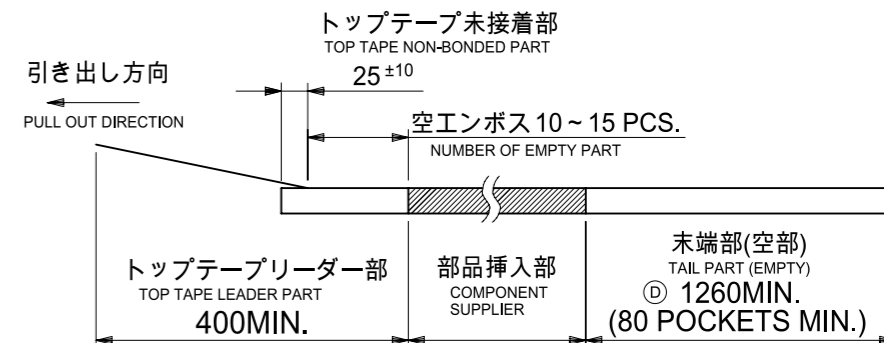
DETAIL X  
(SCALE 10:1)

NOTES

- 製品番号：  
 ナチュラル・錫めっき 560020-\*\*20  
 ナチュラル・金めっき 560020-\*\*30  
 黒・錫めっき 560020-\*\*21  
 赤・錫めっき 560020-\*\*22  
 青・錫めっき 560020-\*\*23  
 詳細寸法については、製品単体図面を参照ください。

- PART NO.  
 NATURAL・Sn Plating 560020-\*\*20  
 NATURAL・Au Plating 560020-\*\*30  
 BLACK・Sn Plating 560020-\*\*21  
 RED・Sn Plating 560020-\*\*22  
 BLUE・Sn Plating 560020-\*\*23  
 SEE SALES DRAWING FOR CONNECTOR

- 梱包数量： 650個/REEL  
 NUMBER OF CONNECTORS 650 PCS/REEL
- リードテープ長さ  
 LEAD TAPE LENGTH



- 材料  
 MATERIAL  
 キャリアテープ： ポリスチレン  
 CARRIER TAPE: POLYSTYRENE  
 トップテープ： PET, PE, PEF  
 TOP TAPE: PET, PE, PEF  
 リール： ポリスチレン  
 REEL: POLYSTYRENE

- 一般公差  
 GENERAL TOLERANCES  
 10 UNDER: ±0.2  
 10 OVER 30 UNDER: ±0.25  
 30 OVER: ±0.3  
 ANGULAR: ±1°

FUNCTIONAL SYMBOLS	THIS DRAWING CONTAINS INFORMATION THAT IS PROPRIETARY TO MOLEX ELECTRONIC TECHNOLOGIES, LLC AND SHOULD NOT BE USED WITHOUT WRITTEN PERMISSION		CURRENT REV DESC:		<b>molex</b>
	FA = 0	mm	SCALE	NTS	
DIVISIONAL SYMBOLS	FE = 0	GENERAL TOLERANCES (UNLESS SPECIFIED)		PHASE:	PRODUCT SALES DRAWING
	FP = 0	4 PLACES ±	MM	INCH	
		3 PLACES ±	CO NO:		DOC TYPE
		2 PLACES ±	DRWN: Hideo Yoneyama 2023-10-23		DOC PART
		1 PLACE ±	CHK'D: Hiromichi Komatsu 2023-10-23		REVISION
		0 PLACES ±	APPR: Takashi Iida 2023-10-24		
		ANGULAR TOL ± 0.5°	INITIAL REVISION:		
			DRWN: YTAMAKI 2014/05/23		
			APPR: MAYAMAMOTO 2014/06/30		
DRAFT WHERE APPLICABLE MUST REMAIN WITHIN DIMENSIONS		THIRD ANGLE PROJECTION	DRAWING	SERIES	MATERIAL NUMBER
			A3-SIZE	560020	CUSTOMER
			SEE CHART	GENERAL MARKET	SHEET NUMBER
					1 OF 2

Sn NATURAL	52.4	61.4	57.4	56	26.2	36.9	560020-1520	15				
						34.9	560020-1420	14				
						32.9	560020-1320	13				
	40.4	49.4	45.4	44	20.2	30.9	560020-1220	12				
						28.9	560020-1120	11				
						26.9	560020-1020	10				
						24.9	560020-0920	09				
						22.9	560020-0820	08				
						20.9	560020-0720	07				
						18.9	560020-0620	06				
	28.4	37.4	33.4	32	14.2	16.9	560020-0520	05				
						14.9	560020-0420	04				
						29.4	25.4	24	11.5	12.9	560020-0320	03
										11.2	560020-0220	02
										PLATING COLOR		F

Au NATURAL	52.4	61.4	57.4	56	26.2	36.9	560020-1530	15				
						34.9	560020-1430	14				
						32.9	560020-1330	13				
	40.4	49.4	45.4	44	20.2	30.9	560020-1230	12				
						28.9	560020-1130	11				
						26.9	560020-1030	10				
						24.9	560020-0930	09				
						22.9	560020-0830	08				
						20.9	560020-0730	07				
						18.9	560020-0630	06				
	28.4	37.4	33.4	32	14.2	16.9	560020-0530	05				
						14.9	560020-0430	04				
						29.4	25.4	24	11.5	12.9	560020-0330	03
										11.2	560020-0230	02
										PLATING COLOR		F

Sn BLACK	52.4	61.4	57.4	56	26.2	36.9	560020-1521	15				
						34.9	560020-1421	14				
						32.9	560020-1321	13				
	40.4	49.4	45.4	44	20.2	30.9	560020-1221	12				
						28.9	560020-1121	11				
						26.9	560020-1021	10				
						24.9	560020-0921	09				
						22.9	560020-0821	08				
						20.9	560020-0721	07				
						18.9	560020-0621	06				
	28.4	37.4	33.4	32	14.2	16.9	560020-0521	05				
						14.9	560020-0421	04				
						29.4	25.4	24	11.5	12.9	560020-0321	03
										11.2	560020-0221	02
										PLATING COLOR		F

Sn RED	52.4	61.4	57.4	56	26.2	36.9	560020-1521	15				
						34.9	560020-1421	14				
						32.9	560020-1321	13				
	40.4	49.4	45.4	44	20.2	30.9	560020-1221	12				
						28.9	560020-1121	11				
						26.9	560020-1021	10				
						24.9	560020-0921	09				
						22.9	560020-0822	08				
						20.9	560020-0721	07				
						18.9	560020-0622	06				
	28.4	37.4	33.4	32	14.2	16.9	560020-0521	05				
						14.9	560020-0422	04				
						29.4	25.4	24	11.5	12.9	560020-0322	03
										11.2	560020-0222	02
										PLATING COLOR		F

Sn BLUE	52.4	61.4	57.4	56	26.2	36.9	560020-1521	15				
						34.9	560020-1421	14				
						32.9	560020-1321	13				
	40.4	49.4	45.4	44	20.2	30.9	560020-1221	12				
						28.9	560020-1121	11				
						26.9	560020-1021	10				
						24.9	560020-0921	09				
						22.9	560020-0823	08				
						20.9	560020-0721	07				
						18.9	560020-0623	06				
	28.4	37.4	33.4	32	14.2	16.9	560020-0521	05				
						14.9	560020-0423	04				
						29.4	25.4	24	11.5	12.9	560020-0323	03
										11.2	560020-0223	02
										PLATING COLOR		F

FUNCTIONAL SYMBOLS	THIS DRAWING CONTAINS INFORMATION THAT IS PROPRIETARY TO MOLEX ELECTRONIC TECHNOLOGIES, LLC AND SHOULD NOT BE USED WITHOUT WRITTEN PERMISSION		CURRENT REV DESC:		<b>molex</b>																		
$\nabla_A = 0$ $\nabla_F = 0$ $\nabla_P = 0$	DIMENSION UNITS	SCALE	PHASE:			2.0MM PITCH W/B ST. WAFER ASSY EMBOSSED TAPE PACKAGE																	
DIVISIONAL SYMBOLS	mm	NTS	CO NO:		PRODUCT SALES DRAWING																		
	GENERAL TOLERANCES (UNLESS SPECIFIED)		DRWN: Hideo Yoneyama 2023-10-23		DOCUMENT NUMBER																		
	<table border="1"> <tr> <th></th> <th>MM</th> <th>INCH</th> </tr> <tr> <td>4 PLACES</td> <td>±</td> <td>±</td> </tr> <tr> <td>3 PLACES</td> <td>±</td> <td>±</td> </tr> <tr> <td>2 PLACES</td> <td>±</td> <td>±</td> </tr> <tr> <td>1 PLACE</td> <td>±</td> <td>±</td> </tr> <tr> <td>0 PLACES</td> <td>±</td> <td>±</td> </tr> </table>			MM	INCH	4 PLACES	±	±	3 PLACES	±	±	2 PLACES	±	±	1 PLACE	±	±	0 PLACES	±	±	CHK'D: Hiromichi Komatsu 2023-10-23		DOC TYPE   DOC PART   REVISION
	MM	INCH																					
4 PLACES	±	±																					
3 PLACES	±	±																					
2 PLACES	±	±																					
1 PLACE	±	±																					
0 PLACES	±	±																					
	ANGULAR TOL ± 0.5°		APPR: Takashi Iida 2023-10-24		SD-560020-003																		
	DRAFT WHERE APPLICABLE MUST REMAIN WITHIN DIMENSIONS		INITIAL REVISION:		SEE CHART																		
	THIRD ANGLE PROJECTION		DRWN: YTAMAKI 2014/05/23		GENERAL MARKET																		
	DRAWING		APPR: MAYAMAMOTO 2014/06/30		2 OF 2																		
	SERIES		MATERIAL NUMBER																				
	A3-SIZE		560020																				