

△4 キャビティ番号および金型番号
CAVITY & MOLD NUMBER

△4 トレードマーク
TRADE MARK

回路番号N
CIRCUIT N

回路番号1
CIRCUIT 1

回路番号1マーク
CIRCUIT 1 MARK

注記:

NOTES:

△1 材質: TABLE 1参照
MATERIAL: SEE TABLE 1

△2 偶数極に適用
APPLY TO EVEN CIRCUIT

△3 製品仕様書、コネクタ取扱説明書、適合嵌合相手、
適合端子はSHEET 2をご参照ください。
PLEASE REFER TO SHEET 2 FOR PRODUCT SPECIFICATION,
APPLICATION SPECIFICATION, MATE WITH
AND APPLICABLE TERMINAL.

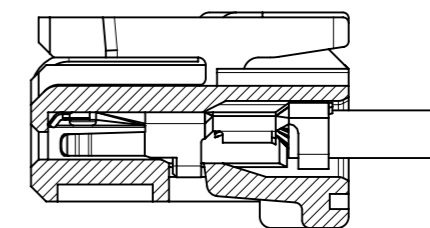
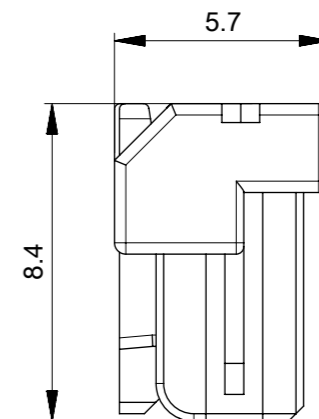
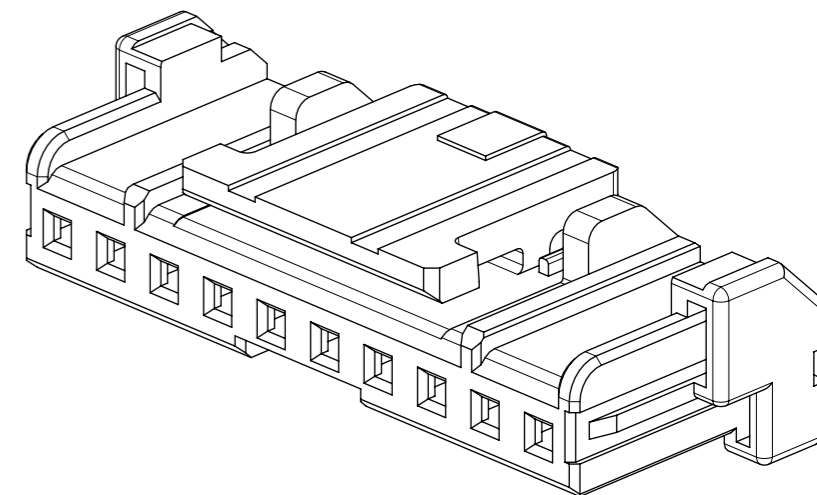
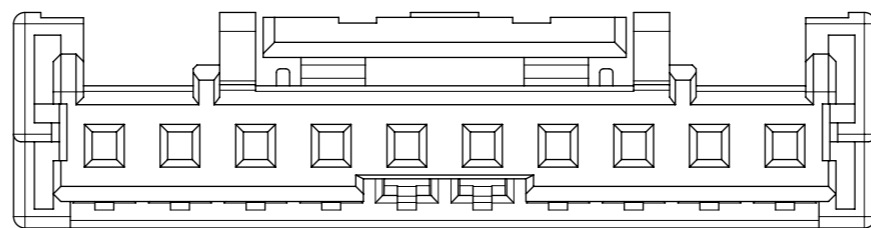
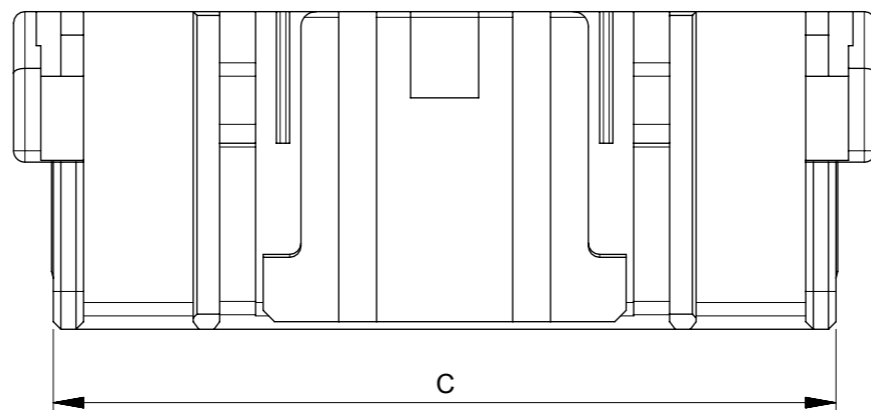
△4 トレードマーク: MXLにて表示。
キャビティ暗号: 1桁から2桁の数字にて表示。
金型番号: アルファベット1文字にて表示。
TRADE MARK IS FORMED BY MXL.
AND BY 1-2 DIGIT NUMBER (TO CAVITY NUMBER)
AND BY LETTER OF ALPHABET (TO MOLD NUMBER)

△5 発注番号: SHEET 2参照
ORDER NUMBER: PLEASE REFER TO SHEET 2

505570**0*

極数
CIRCUIT SIZE

番号 NO.	ハウジングカラー HOUSING COLOR
0	ナチュラル(白) NATURAL (WHITE)
1	黒 BLACK



ターミナル装着図
TERMINAL ASSEMBLY DRAWING

32.7	30	34.8	16
30.7	28	32.8	15
28.7	26	30.8	14
26.7	24	28.8	13
24.7	22	26.8	12
22.7	20	24.8	11
20.7	18	22.8	10
18.7	16	20.8	9
16.7	14	18.8	8
14.7	12	16.8	7
12.7	10	14.8	6
10.7	8	12.8	5
8.7	6	10.8	4
6.7	4	8.8	3
4.7	2	6.8	2
C	B	A	極数 CIRCUIT SIZE

△4 TABLE 1

部品 PART	材質 MATERIAL
ハウジング HOUSING	ポリエステル(PBT), UL94 V-0, 色: SHEET 2参照 POLYESTER(PBT), UL94 V-0, COLOR: SEE SHEET 2

DOCUMENT STATUS	P1	RELEASE DATE	2023/08/04	04:03:57
-----------------	----	--------------	------------	----------

DIMENSION UNITS		SCALE	CURRENT REV DESC: REVISED		
mm		NTS			
GENERAL TOLERANCES (UNLESS SPECIFIED)					
ANGULAR TOL ± 3.0°					
4 PLACES	±	EC NO: 718854			
3 PLACES	±	DRWN: SOKUMURA01		2022/07/28	
2 PLACES	±	CHK'D: SAKIYAMA		2023/08/04	
1 PLACE	± 0.2	APPR: MARAI		2023/08/04	
0 PLACES	± 0.2	INITIAL REVISION:			
DRAFT WHERE APPLICABLE MUST REMAIN WITHIN DIMENSIONS		THIRD ANGLE PROJECTION	DRAWING	SERIES	MATERIAL NUMBER
			A3-SIZE	505570	SEE SHEET 3
CUSTOMER			SHEET NUMBER		
GENERAL			1 OF 2		

molex

MICRO-LOCK PLUS 2.0
SINGLE ROW RECEPTACLE HOUSING

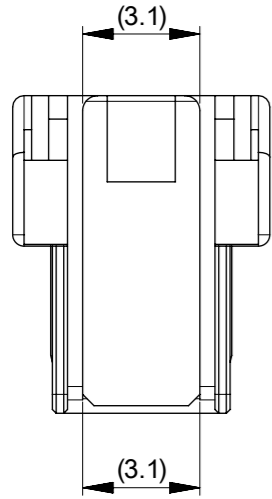
PRODUCT CUSTOMER DRAWING

DOCUMENT NUMBER DOC TYPE DOC PART REVISION

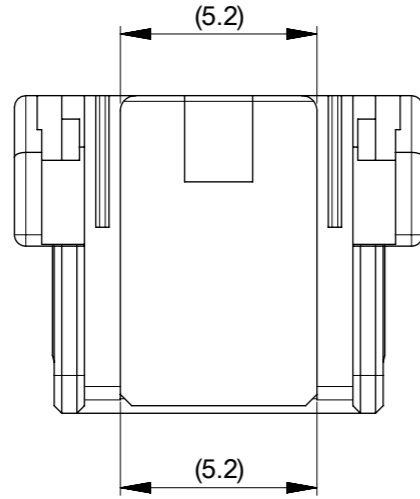
5055700001

PSD 000 C

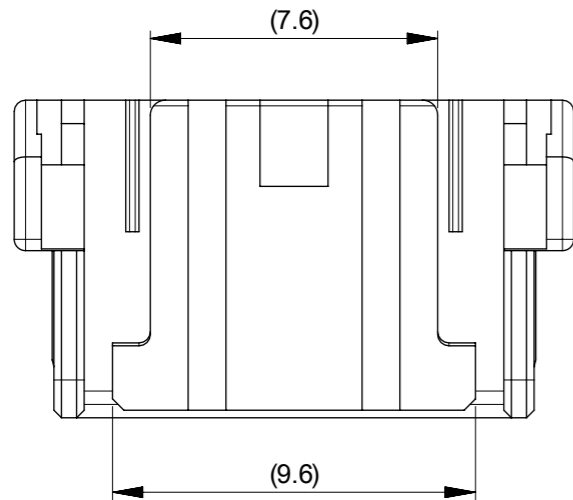
製品形状
PRODUCT SHAPE



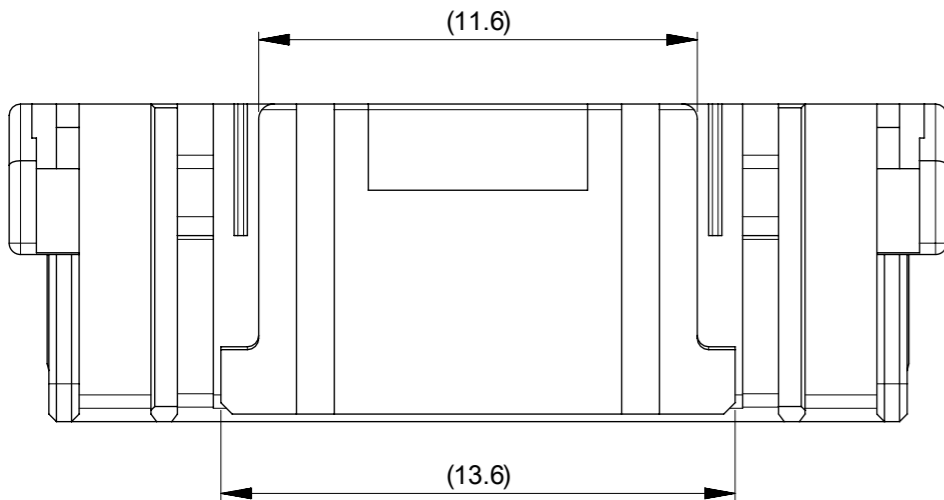
2-3極
2-3 CIRCUIT



4-5極
4-5 CIRCUIT



6-10極
6-10 CIRCUIT



11-16極
11-16 CIRCUIT

3 適合製品及び各種仕様書 APPLICABLE PRODUCTS AND VARIOUS SPECIFICATIONS

梱包仕様書 PACKAGING SPECIFICATION	PART NUMBER	SPECIFICATION NUMBER			
	505570**0*	5055709200 PS 200			
適合端子 APPLICABLE TERMINAL	PART NUMBER	PLATING TYPE		WIRE SIZE(AWG)	
	5055721000	TIN		#22-26	
	5055721*00 1, 2, 3 ↑	GOLD		#22-26	
適合嵌合相手 MATE WITH	タイプ TYPE	WIRE TO BOARD			WIRE TO WIRE
		TIN PLATING		GOLD PLATING	
	VERTICAL	RIGHT ANGLE	VERTICAL	RIGHT ANGLE	-
	505575**** 7, 8 ↑	505578**7*	505575**** 2, 3, 4, 5, 6, 9 ↑	505578**** 2, 4, 6 ↑	2137192***
製品仕様書 PRODUCT SPECIFICATION	5055700001 PS 000		5055700002-PS PS 000		5055700003-PS PS 000
コネクタ取扱説明書 APPLICATION SPECIFICATION	5055700001 PS A03				

製品嵌合図は各適合嵌合相手図面を参照のこと
MATING VIEW : REFER TO EACH "MATE WITH" PART DRAWING.

5 505570**0* 発注番号一覧 ORDER NUMBER LIST

BLACK	NATURAL (WHITE)	HOUSING COLOR
5055701601	5055701600	16
5055701501	5055701500	15
5055701401	5055701400	14
5055701301	5055701300	13
5055701201	5055701200	12
5055701101	5055701100	11
5055701001	5055701000	10
5055700901	5055700900	9
5055700801	5055700800	8
5055700701	5055700700	7
5055700601	5055700600	6
5055700501	5055700500	5
5055700401	5055700400	4
5055700301	5055700300	3
5055700201	5055700200	2
発注番号 ORDER NUMBER	極数 CIRCUIT SIZE	
梱包形態 : ポリ袋 PACKAGING : POLYBAG PACKAGE		

THIS DRAWING CONTAINS INFORMATION THAT IS PROPRIETARY TO MOLEX ELECTRONIC TECHNOLOGIES, LLC AND SHOULD NOT BE USED WITHOUT WRITTEN PERMISSION									
DIMENSION UNITS	SCALE	CURRENT REV DESC: REVISED							
mm	NTS								
GENERAL TOLERANCES (UNLESS SPECIFIED)									
ANGULAR TOL	± 3.0 °	MICRO-LOCK PLUS 2.0 SINGLE ROW RECEPTACLE HOUSING							
GENERAL TOLERANCES (UNLESS SPECIFIED)									
4 PLACES	±	EC NO: 718854 DRWN: SOKUMURA01 2022/07/28 CHK'D: SAKIYAMA 2023/08/04 APPR: MARAI 2023/08/04							
3 PLACES	±								
2 PLACES	±	PRODUCT CUSTOMER DRAWING							
1 PLACE	± 0.2								
0 PLACES	± 0.2	INITIAL REVISION: DRWN: TENAGASE 2016/03/29 APPR: TKANEKO 2016/04/18							
DRAFT WHERE APPLICABLE MUST REMAIN WITHIN DIMENSIONS									
THIRD ANGLE PROJECTION	DRAWING	SERIES	MATERIAL NUMBER	CUSTOMER	DOCUMENT NUMBER	DOC TYPE	DOC PART	REVISION	SHEET NUMBER
	A3-SIZE	505570	SEE SHEET 3	GENERAL	5055700001	PSD	000	C	2 OF 2