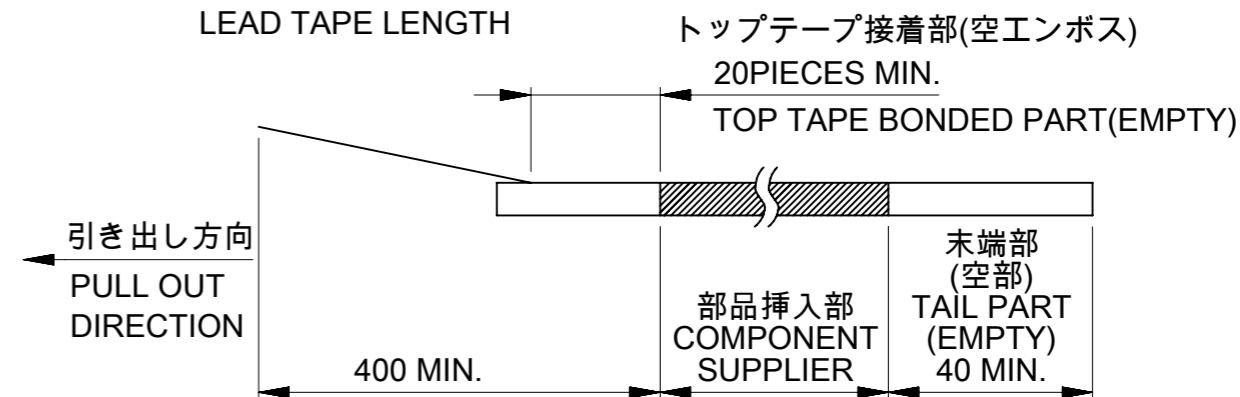


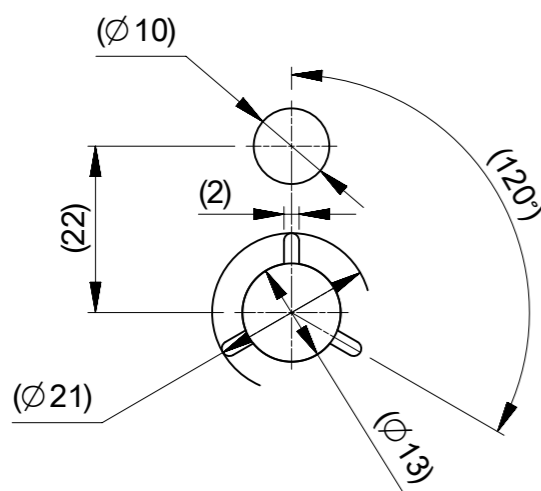
NOTES

- 製品詳細寸法は製品単体図面を参照して下さい。
FOR DETAIL OF CONNECTOR DIMENSIONS, PLEASE SEE THE DRAWING OF CONNECTOR ITSELF (NOT PACKAGED).
- 梱包数量 : 1300個 / リール
NUMBER OF CONNECTORS : 1300PIECES/REEL
- リードテープ長さ
LEAD TAPE LENGTH



4.材料

MATERIAL
 キャリアテープ : ポリスチレン(PS)
 CARRIER TAPE : POLYSTYRENE
 トップテープ : ポリエステル(PET)、その他
 TOP TAPE: POLYESTER(PET), OTHER
 リール : ポリスチレン(PS) <リサイクル材を含む>
 REEL : POLYSTYRENE <RECYCLE MATERIAL CONTAINED>

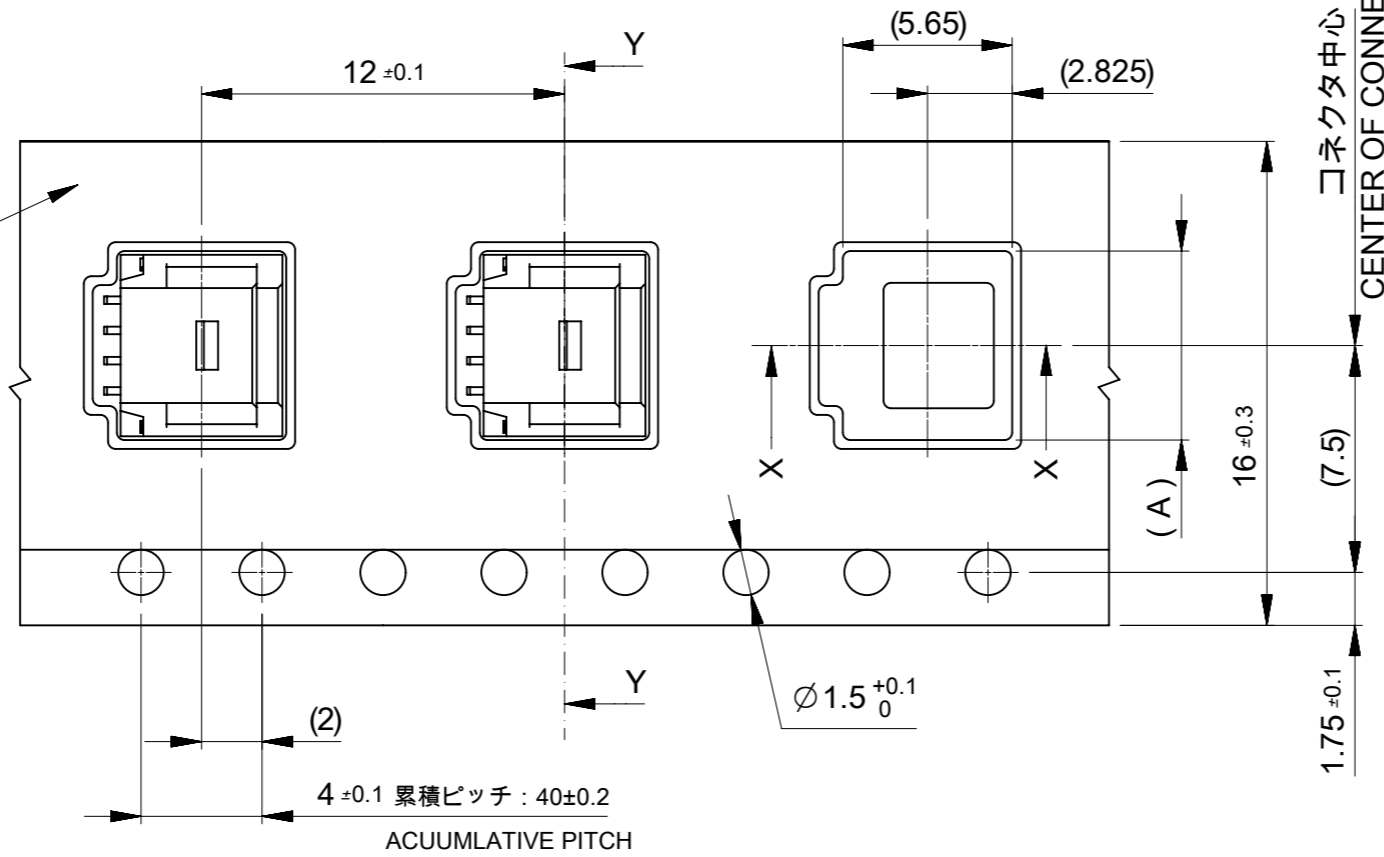


DETAIL B

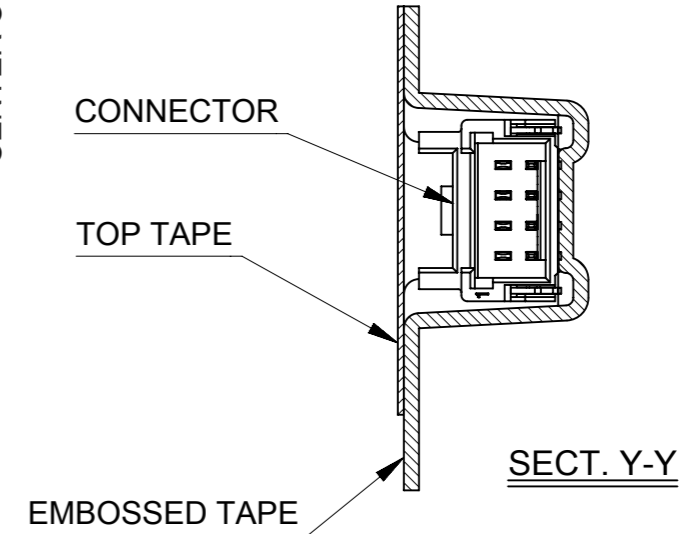
THIS DRAWING CONTAINS INFORMATION THAT IS PROPRIETARY TO MOLEX ELECTRONIC TECHNOLOGIES, LLC AND SHOULD NOT BE USED WITHOUT WRITTEN PERMISSION

EC NO: 168346 DRWN: KYAMADA02 CHK'D: SAKIYAMA APPR: TKANEKO	2017/11/27 2017/11/30 2017/12/01	GENERAL TOLERANCES (UNLESS SPECIFIED) ANGULAR TOL $\pm 3.0^\circ$	DIMENSION UNITS: mm SCALE: NTS			
	4 PLACES ± 0.2 3 PLACES ± 0.2 2 PLACES ± 0.2 1 PLACE ± 0.2 0 PLACES ± 0.2	DRWN BY: KYAMADA02 DATE: 2017/11/27	PICO-CLASP 1.0W/B SINGLE-ROW R/A OUTER LOCK EMBSTP PKG(GOLD VERSION 0.1)			
	DRAFT WHERE APPLICABLE MUST REMAIN WITHIN DIMENSIONS	CHK'D BY: SAKIYAMA DATE: 2017/11/30	PRODUCT CUSTOMER DRAWING			
	A3 THIRD ANGLE PROJECTION	APPR BY: TKANEKO DATE: 2017/12/01	SERIES: 501953 MATERIAL NUMBER: SEE CHART CUSTOMER: GENERAL	DOCUMENT NUMBER: 5019530305-SD DOC TYPE: PSD DOC PART: 000 SHEET NUMBER: 1 OF 2		

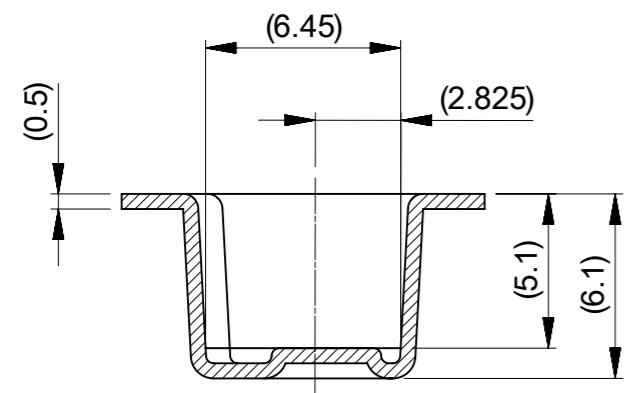
16幅テープ
16 WIDTH TAPE



コネクタ中心
CENTER OF CONNECTOR



SECT. Y-Y

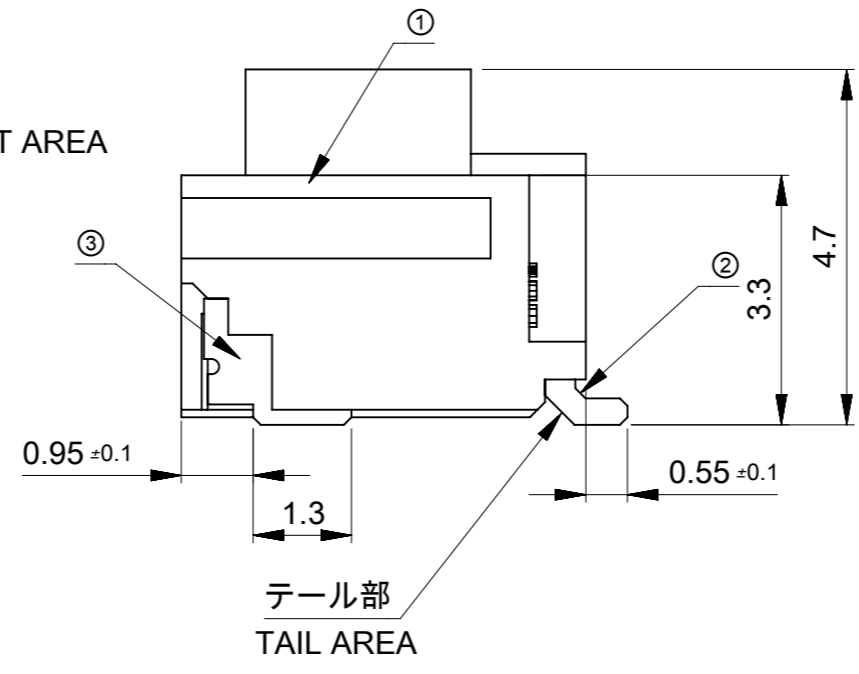
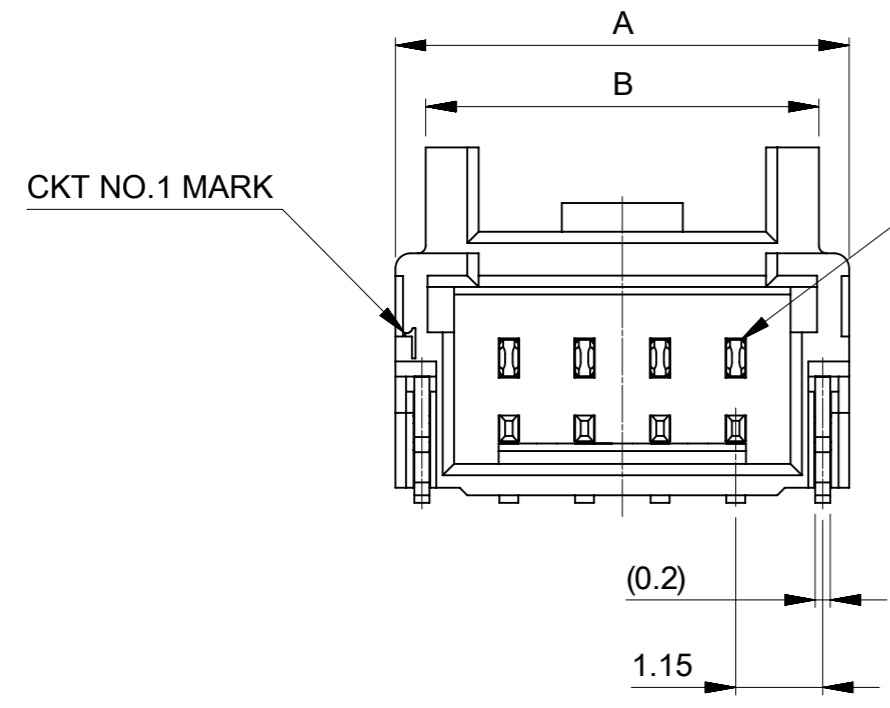
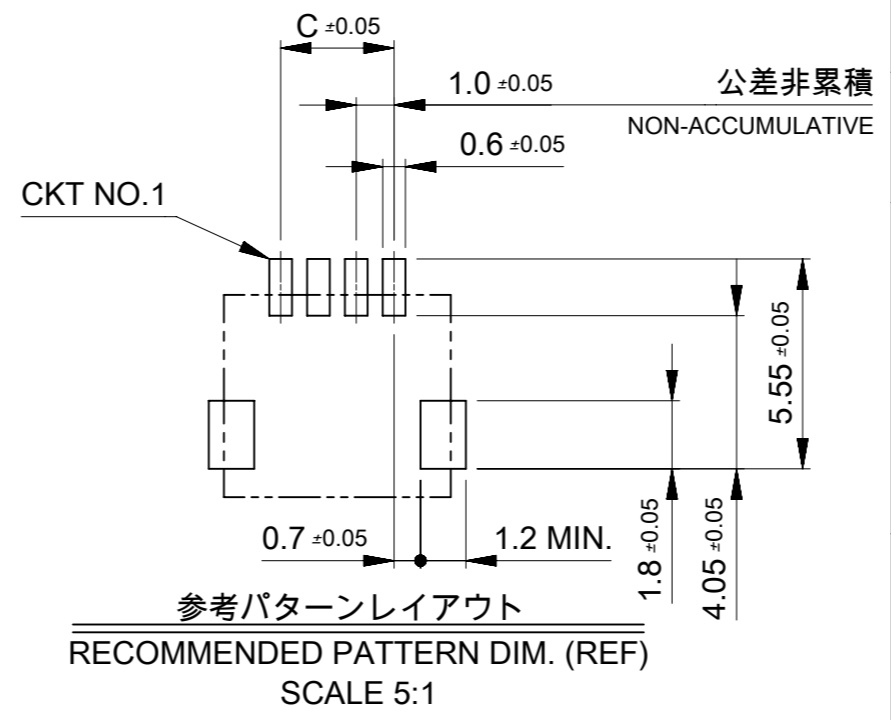
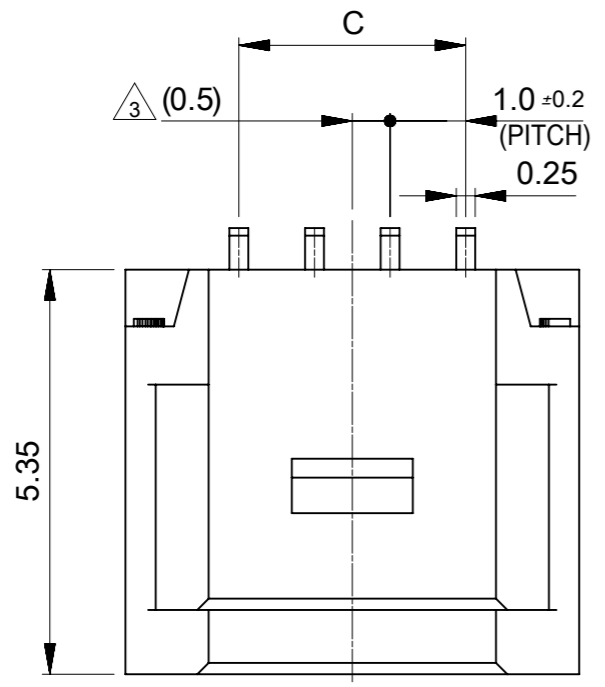


SECT. X-X

7.3	5019530505	5
6.3	5019530405	4
5.3	5019530305	3
(A)	EMBOSSED PACKAGE	極数
	オーダー番号 ORDER NO.	CIRCUITS
CONNECTOR SERIES NO. 501953**06		

THIS DRAWING CONTAINS INFORMATION THAT IS PROPRIETARY TO MOLEX ELECTRONIC TECHNOLOGIES, LLC AND SHOULD NOT BE USED WITHOUT WRITTEN PERMISSION

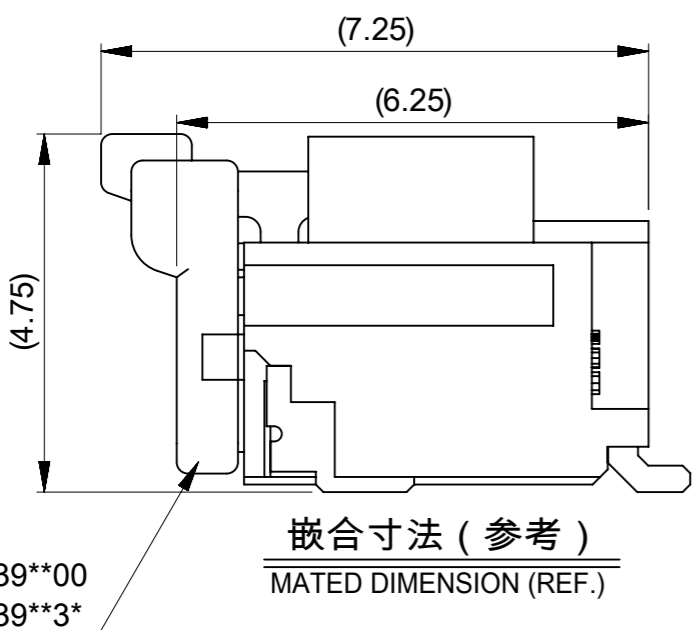
EC NO: 168346 DRWN: KYAMADA02 CHK'D: SAKIYAMA APPR: TKANEKO	2017/11/27 2017/11/30 2017/12/01	GENERAL TOLERANCES (UNLESS SPECIFIED) ANGULAR TOL ± 3.0 ° 4 PLACES ± 0.2 3 PLACES ± 0.2 2 PLACES ± 0.2 1 PLACE ± 0.2 0 PLACES ± 0.2	DIMENSION UNITS: mm SCALE: NTS DRWN BY: KYAMADA02 DATE: 2017/11/27 CHK'D BY: SAKIYAMA DATE: 2017/11/30 APPR BY: TKANEKO DATE: 2017/12/01	<p>PICO-CLASP 1.0W/B SINGLE-ROW R/A OUTER LOCK EMBSTP PKG(GOLD VERSION 0.1)</p> <p>PRODUCT CUSTOMER DRAWING</p>
	DRAFT WHERE APPLICABLE MUST REMAIN WITHIN DIMENSIONS	DRAWING SIZE: A3 THIRD ANGLE PROJECTION	SERIES: 501953 MATERIAL NUMBER: SEE CHART CUSTOMER: GENERAL	
	RELEASE STATUS: P1 RELEASE DATE: 01.12.2017 05:25:28	DOCUMENT NUMBER: 5019530305-SD DOC TYPE: PSD DOC PART: 000 SHEET NUMBER: 2 OF 2		



番号 NO.	部品 PART	材質 MATERIAL
①	ウエハー WAFER	ポリアミド UL94V-0 色 : 自然色 POLYAMIDE, UL94V-0, COLOR:NATURAL
②	ソルダーピン SOLDER PIN	りん青銅 PHOSPHOR BRONZE 金めっき(接触部) : 0.1 MICRO METER MIN. GOLD PLATING (CONTACT AREA) 金めっき(テール部):0.05 MICRO METER MINIMUM. GOLD PLATING (TAIL AREA) ニッケルめっき(下地):1.0 MICRO METER MIN. NICKEL(UNDER PLATING)
③	ネイル NAIL	黄銅 BRASS 錫めっき:1.0 MICRO METER MIN. TIN ニッケルめっき(下地):1.0 MICRO METER MIN. NICKEL(UNDER PLATING)

NOTES.
 1. 嵌合相手 : 501939****
 MATE WITH :501939****
 2. ソルダーピン及びネイル平坦度は、0.1MAX.
 SOLDER PIN AND NAIL COPLANARITY TO BE 0.1MAX.
 ③ 極数 = 偶数に適用
 APPLY FOR CKT SIZE=EVEN

4.0	5.2	7.0	5019530505	5
3.0		6.0	5019530405	4
2.0	4.2	5.0	5019530305	3
C	B	A	EMBOSSED PACKAGE	極数
			オーダー番号 ORDER NO.	CIRCUITS
CONNECTOR SERIES NO. 501953**06				



THIS DRAWING CONTAINS INFORMATION THAT IS PROPRIETARY TO MOLEX ELECTRONIC TECHNOLOGIES, LLC AND SHOULD NOT BE USED WITHOUT WRITTEN PERMISSION

EC NO: 168346 DRWN: KYAMADA02 CHK'D: SAKIYAMA APPR: TKANEKO	2017/11/27	2017/11/30	2017/12/01	GENERAL TOLERANCES (UNLESS SPECIFIED)	DIMENSION UNITS	SCALE	 PICO-CLASP 1.0W/B SINGLE-ROW RA OUTER LOCK WAFER ASSY(GOLD VERSION 0.1)
				ANGULAR TOL ± 3.0 °	mm	10:1	
	4 PLACES	± 0.2			DRWN BY	DATE	
	3 PLACES	± 0.2			KYAMADA02	2017/11/27	
	2 PLACES	± 0.2			CHK'D BY	DATE	
1 PLACE	± 0.2			SAKIYAMA	2017/11/30		
0 PLACES	± 0.2			APPR BY	DATE		
				TKANEKO	2017/12/01		
				DRAFT WHERE APPLICABLE MUST REMAIN WITHIN DIMENSIONS	DRAWING SIZE	THIRD ANGLE PROJECTION	PRODUCT CUSTOMER DRAWING
					A3		SERIES
							501953
							MATERIAL NUMBER
							SEE TABLE
							CUSTOMER
							GENERAL
							DOCUMENT NUMBER
							5019530306-SD
							DOC TYPE
							PSD
							DOC PART
							000
							SHEET NUMBER
							1 OF 1