


PART NUMBER	CKTS	QUANTITY PER BAG	BAGS PER CARTON	PARTS PER CARTON (SPQ)	MOISTURIZATION METHOD 	PANEL LOCK
215922-02*1	2	3000	4	12000	NO MOISTURIZATION	WITHOUT
215922-04*1	4	2600	4	10400		
215922-06*1	6	2000	4	8000		
215922-08*1	8	1700	4	6800		
215922-10*1	10	1400	4	5600		
215922-12*1	12	1000	4	4000		
215922-1401	14	800	4	3200		
215922-1601	16	800	4	3200		
215922-1801	18	600	4	2400		
215922-2001	20	600	4	2400		
215922-2201	22	600	4	2400		
215922-2401	24	450	4	1800		
215922-02*0	2	2000	4	8000	SEE SHEET 2	WITH
215922-04*0	4	1800	4	7200		
215922-06*0	6	1600	4	6400		
215922-08*0	8	1100	4	4400		
215922-10*0	10	1000	4	4000		
215922-12*0	12	900	4	3600		
215922-1400	14	800	4	3200		
215922-1600	16	700	4	2800		
215922-1800	18	600	4	2400		
215922-2000	20	600	4	2400		
215922-2200	22	400	4	1600		
215922-2400	24	350	4	1400		

TBD: NO PRODUCTION, TO BE ADDED AFTER BEING PRODUCED.

LEGEND


206461 - X X X X

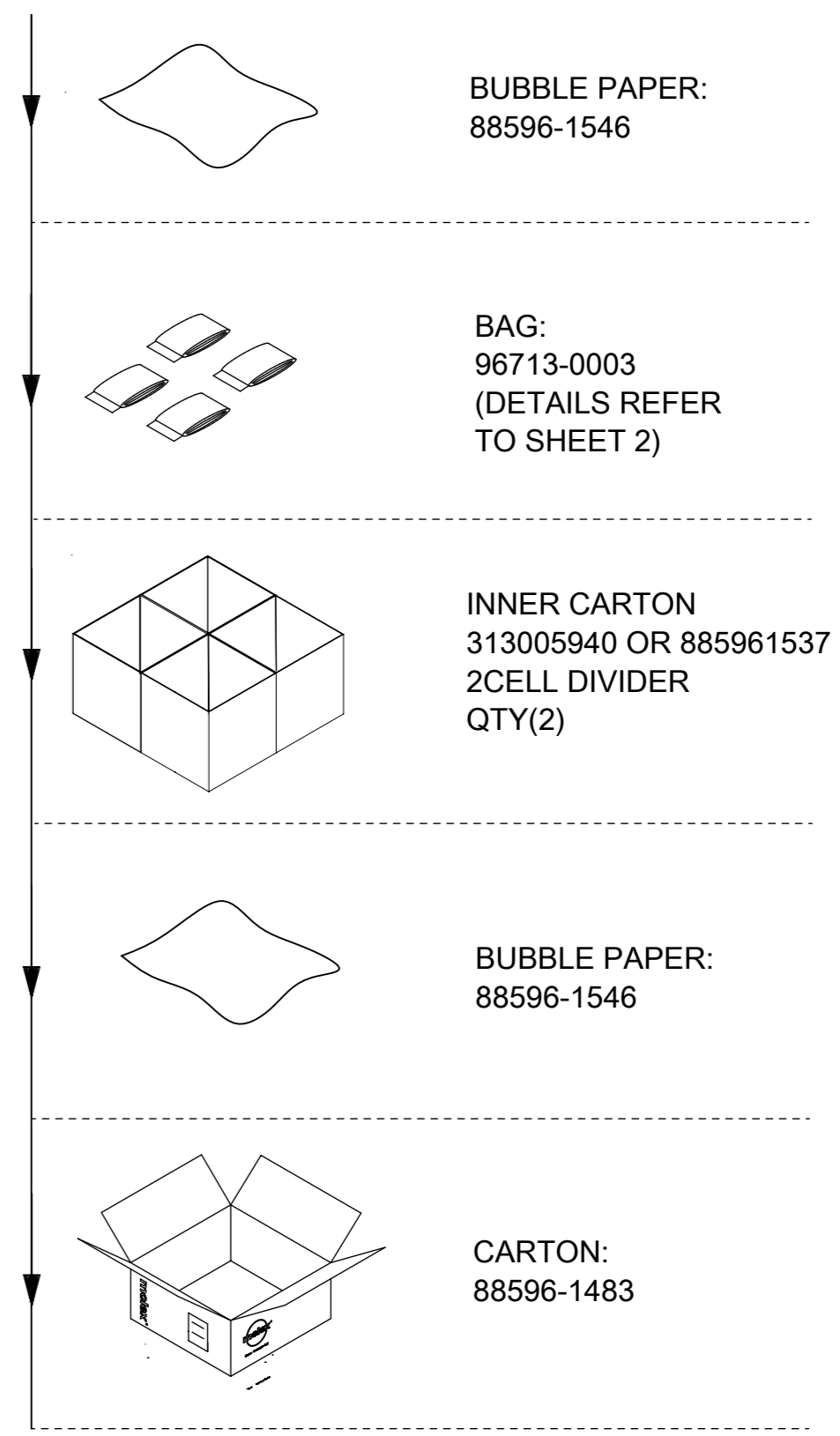
0 - PANEL MOUNT
1 - FREE HANGING

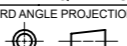
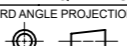
POLARIZATION / COLOR
0- BLACK
1 - NATURAL
2 - RED
3 - BLUE
4- YELLOW

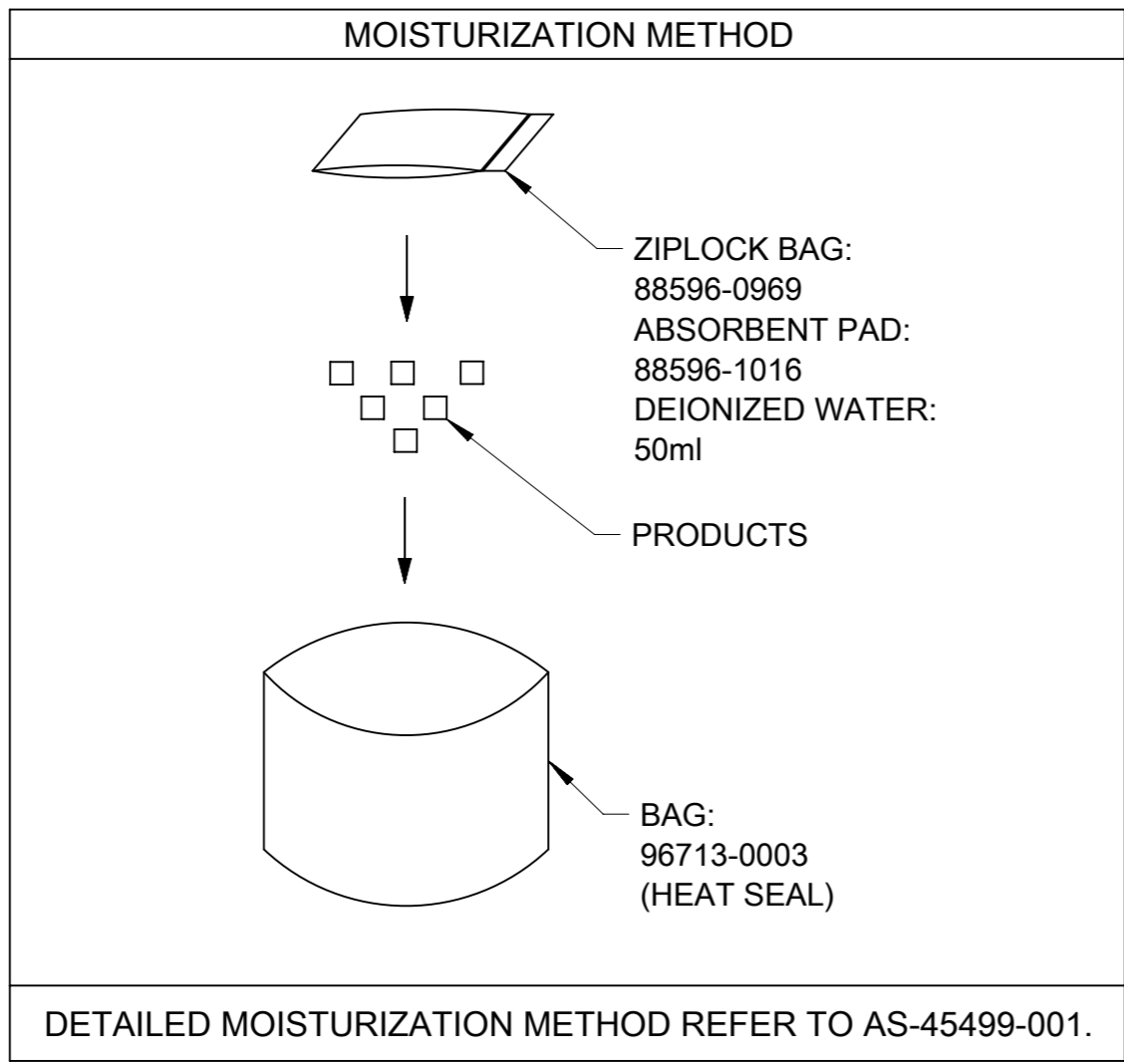
CKT SIZE 02-24

NOTES:

-  MOISTURIZATION METHOD DESCRIPTIONS REFER TO SHEET 2.
- STANDARD PACKAGE QUANTITY (SPQ) SEE ABOVE CHART.
- PACKAGE WAY FOLLOW RIGHT ILLUSTRATION.
- ALL PACKAGE MATERIAL AND PRODUCT COMPLIANT TO RoHS DIRECTIVE 2011/65/EU AND ELV DIRECTIVE 2000/53/EC.

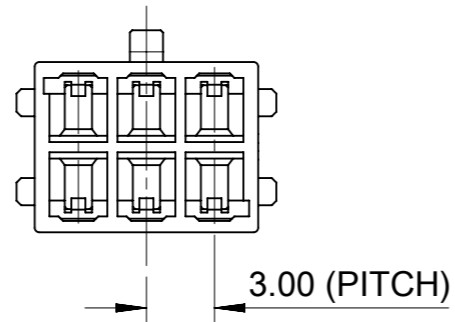
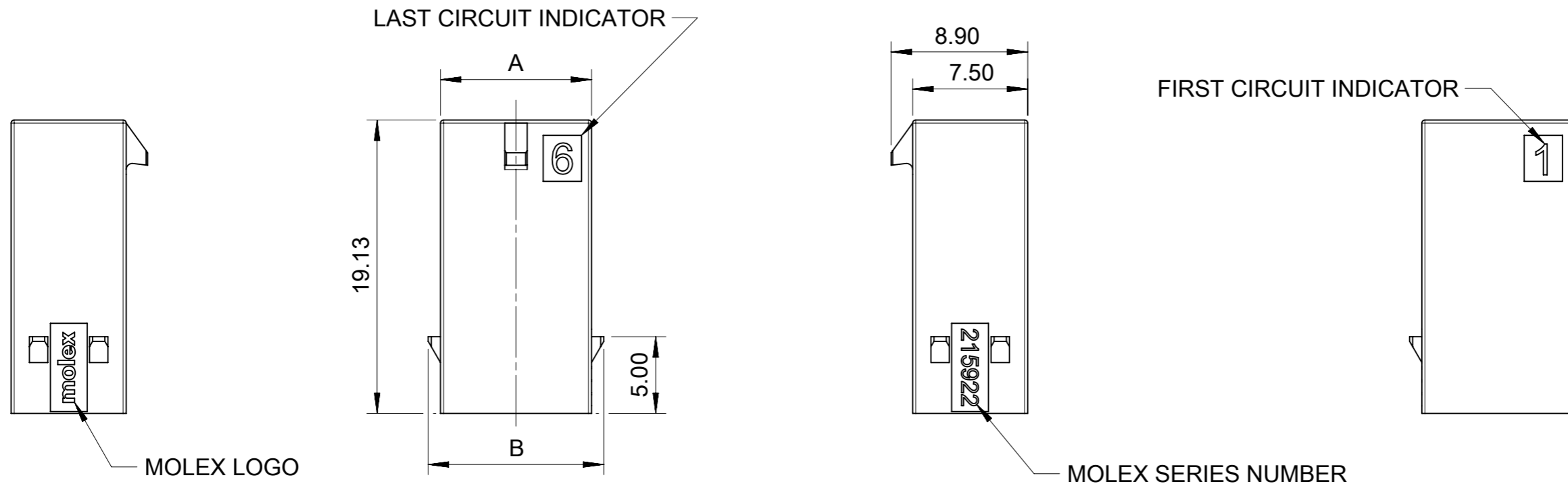


FUNCTIONAL SYMBOLS	THIS DRAWING CONTAINS INFORMATION THAT IS PROPRIETARY TO MOLEX ELECTRONIC TECHNOLOGIES, LLC AND SHOULD NOT BE USED WITHOUT WRITTEN PERMISSION		CURRENT REV DESC:		
	△/A = 0	mm	SCALE 1:1		
DIVISIONAL SYMBOLS	GENERAL TOLERANCES (UNLESS SPECIFIED)		EC NO: 736922		PACKING SPEC FOR MICRO-FIT PLUS WTW HSG
	△/E = 0	ANGULAR TOL ± °		DRWN: VENKAS5 2023/01/18	
DIVISIONAL SYMBOLS	△/F = 0	4 PLACES ±		CHK'D: VENKAS5 2023/02/03	PRODUCT CUSTOMER DRAWING
		3 PLACES ± 0.1		APPR: MRAMAKRISHNA 2023/02/03	
		2 PLACES ± 0.3		INITIAL REVISION:	DOCUMENT NUMBER
		1 PLACE ± 0.5		DRWN: GLLI 2021/10/28	2159220000-PK
	0 PLACES ±		APPR: XQZHANG 2021/11/15	DOC TYPE	
DRAFT WHERE APPLICABLE MUST REMAIN WITHIN DIMENSIONS		THIRD ANGLE PROJECTION	DRAWING	SERIES	DOC PART
			A3-SIZE	215922	PSD
					000
					C
					REVISION
					1 OF 2



FUNCTIONAL SYMBOLS	THIS DRAWING CONTAINS INFORMATION THAT IS PROPRIETARY TO MOLEX ELECTRONIC TECHNOLOGIES, LLC AND SHOULD NOT BE USED WITHOUT WRITTEN PERMISSION		molex						
	$\nabla_A = 0$ $\nabla_F = 0$ $\nabla_P = 0$	DIMENSION UNITS mm				SCALE 1:1	PACKING SPEC FOR MICRO-FIT PLUS WTW HSG PRODUCT CUSTOMER DRAWING		
DIVISIONAL SYMBOLS	GENERAL TOLERANCES (UNLESS SPECIFIED)		CURRENT REV DESC:						
	ANGULAR TOL ± °		EC NO: 736922						
	4 PLACES ±		DRWN: VENKAS5 2023/01/18						
	3 PLACES ± 0.1		CHK'D: VENKAS5 2023/02/03						
	2 PLACES ± 0.3		APPR: MRAMAKRISHNA 2023/02/03						
1 PLACE ± 0.5		INITIAL REVISION:							
0 PLACES ±		DRWN: GLLI 2021/10/28							
DRAFT WHERE APPLICABLE MUST REMAIN WITHIN DIMENSIONS		THIRD ANGLE PROJECTION		DRAWING	SERIES	DOCUMENT NUMBER	DOC TYPE	DOC PART	REVISION
				A3-SIZE	215922	2159220000-PK	PSD	000	C
									SHEET NUMBER
									2 OF 2

FREE HANGING PLUG PARTS



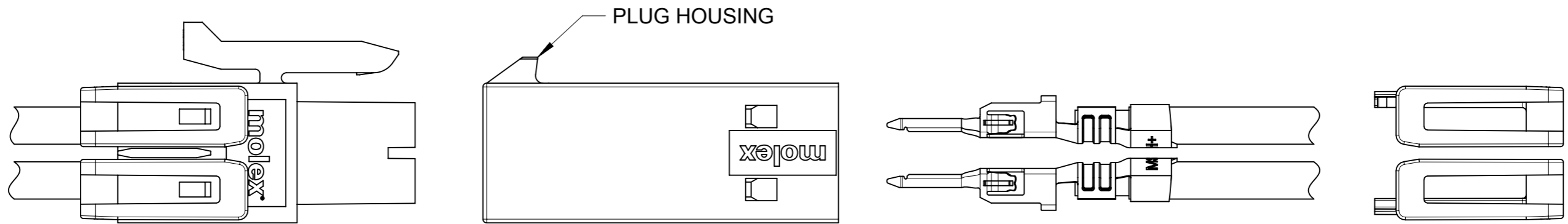
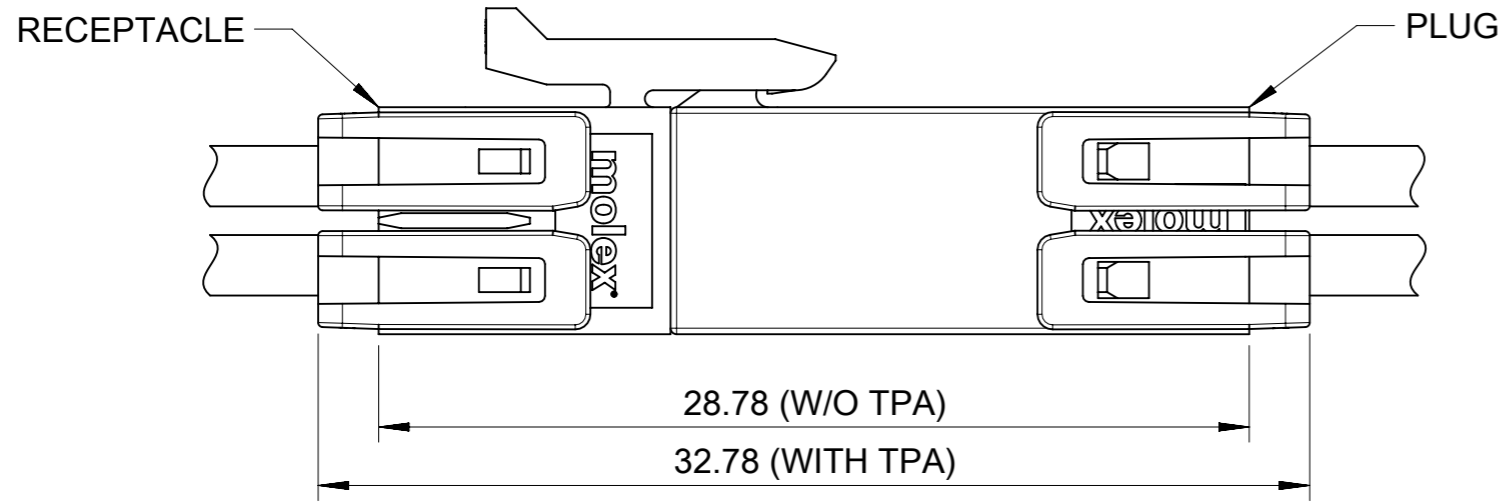
DIM'A'	DIM'B'	CKT SIZE
3.85	5.45	2
6.85	8.45	4
9.85	11.45	6
12.85	14.45	8
15.85	17.45	10
18.85	20.45	12
21.85	23.45	14
24.85	26.45	16
27.85	29.45	18
30.85	32.45	20
33.85	35.45	22
36.85	38.45	24

NOTES:

1. MATERIAL: PA66, 94V-0, COLOR : SEE TABLE IN SHEET 5
2. PRODUCT SPECIFICATION: 2159530000-PS.
3. PACKAGE SPECIFICATION: 2159220000-PK.
4. TO USE WITH TERMINAL OF 2015953-****.
5. TO USE WITH TPA OF 206462-****.
6. TO MATE WITH RECEPTACLE OF 206461-****.
7. PARTS CONFORM TO CLASS 'B' REQUIREMENTS OF COSMETIC SPECIFICATION PS-45499-002.

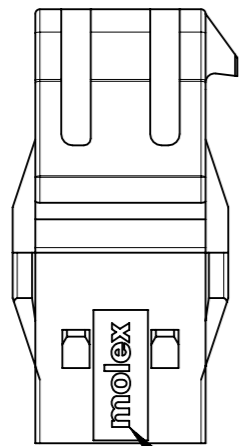
FUNCTIONAL SYMBOLS	THIS DRAWING CONTAINS INFORMATION THAT IS PROPRIETARY TO MOLEX ELECTRONIC TECHNOLOGIES, LLC AND SHOULD NOT BE USED WITHOUT WRITTEN PERMISSION		CURRENT REV DESC:		molex
	△/A = 0	mm			
DIVISIONAL SYMBOLS	GENERAL TOLERANCES (UNLESS SPECIFIED)		EC NO: 760703		PLUG HOUSING OF MICRO-FIT PLUS WTW DR POWER CONNECTOR
	△/E = 0	ANGULAR TOL ± °		DRWN: VENKAS5 2023/02/28	
DIVISIONAL SYMBOLS	△/F = 0	4 PLACES ±	CHK'D: VENKAS5 2023/08/24		PRODUCT CUSTOMER DRAWING
		3 PLACES ±	APPR: MRAMAKRISHNA 2023/08/24		
		2 PLACES ± 0.2	INITIAL REVISION:		DOCUMENT NUMBER
		1 PLACE ± 0.3	DRWN: GLLI 2021/01/29		DOC TYPE
	0 PLACES ±	APPR: XQZHANG 2021/11/15		DOC PART	
DRAFT WHERE APPLICABLE MUST REMAIN WITHIN DIMENSIONS		THIRD ANGLE PROJECTION	DRAWING	SERIES	REVISION
			A3-SIZE	215922	2159220000-SD
					PSD 000 B
					GENERAL MARKET 1 OF 6

FREE HANGING PLUG PARTS

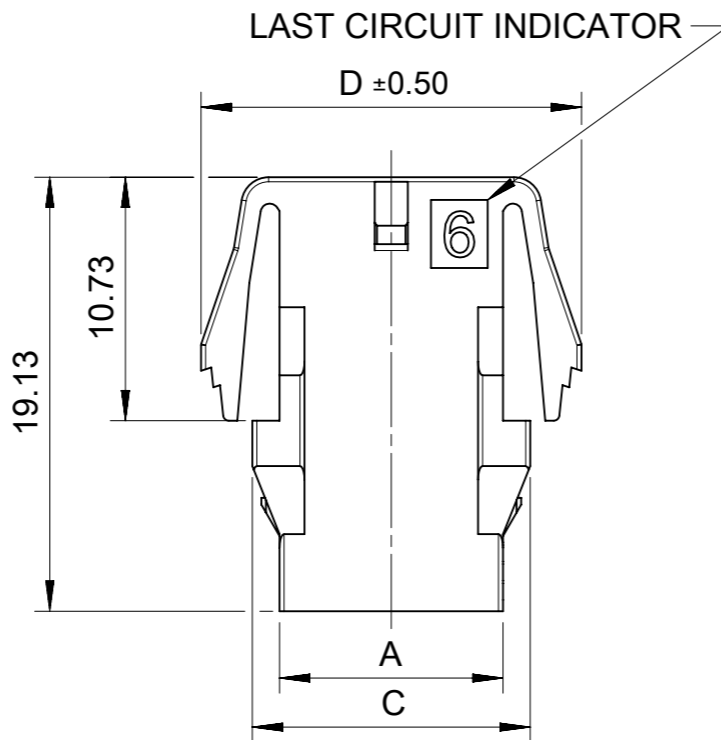


FUNCTIONAL SYMBOLS	THIS DRAWING CONTAINS INFORMATION THAT IS PROPRIETARY TO MOLEX ELECTRONIC TECHNOLOGIES, LLC AND SHOULD NOT BE USED WITHOUT WRITTEN PERMISSION		CURRENT REV DESC:		molex				
	△/A = 0	mm						SCALE 1:1	
DIVISIONAL SYMBOLS	GENERAL TOLERANCES (UNLESS SPECIFIED)		EC NO: 760703 DRWN: VENKAS5 CHK'D: VENKAS5 APPR: MRAMAKRISHNA INITIAL REVISION: DRWN: GLLI APPR: XQZHANG		PLUG HOUSING OF MICRO-FIT PLUS WTW DR POWER CONNECTOR				
	ANGULAR TOL ± °				PRODUCT CUSTOMER DRAWING				
	4 PLACES ±				DOCUMENT NUMBER		DOC TYPE	DOC PART	REVISION
	3 PLACES ±				2159220000-SD		PSD	000	B
	2 PLACES ± 0.2				MATERIAL NUMBER		CUSTOMER		SHEET NUMBER
1 PLACE ± 0.3		A3-SIZE		GENERAL MARKET		2 OF 6			
0 PLACES ±		SERIES 215922							
DRAFT WHERE APPLICABLE MUST REMAIN WITHIN DIMENSIONS		THIRD ANGLE PROJECTION	DRAWING						

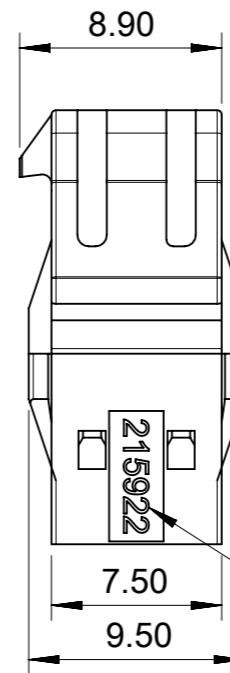
PANEL MOUNT PLUG PARTS



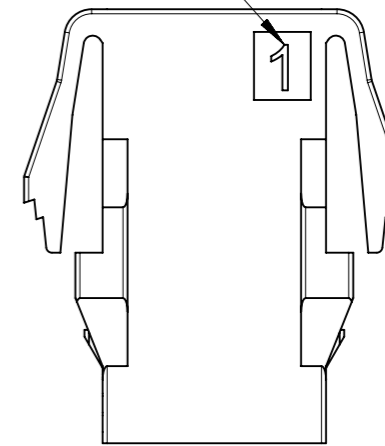
MOLEX LOGO



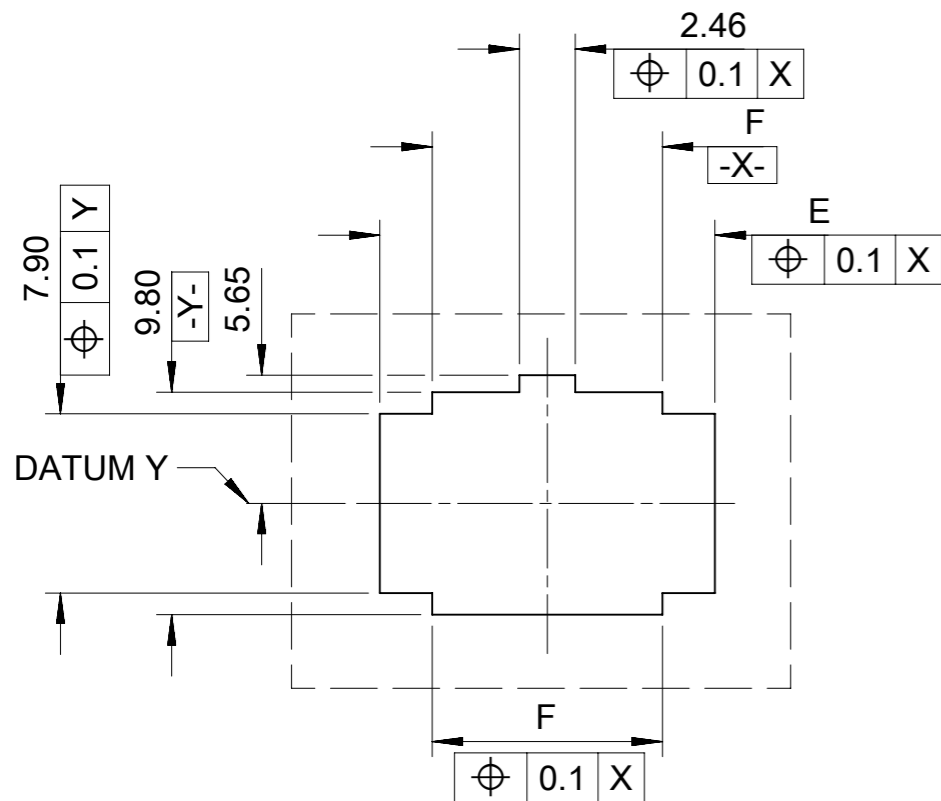
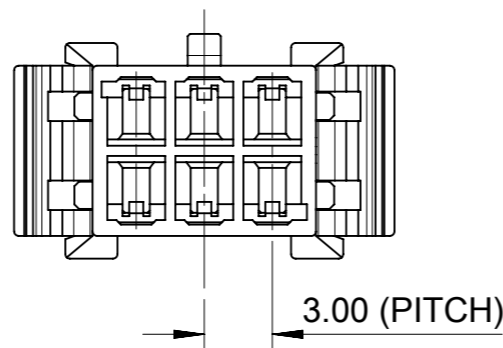
LAST CIRCUIT INDICATOR



FIRST CIRCUIT INDICATOR



MOLEX SERIES NUMBER

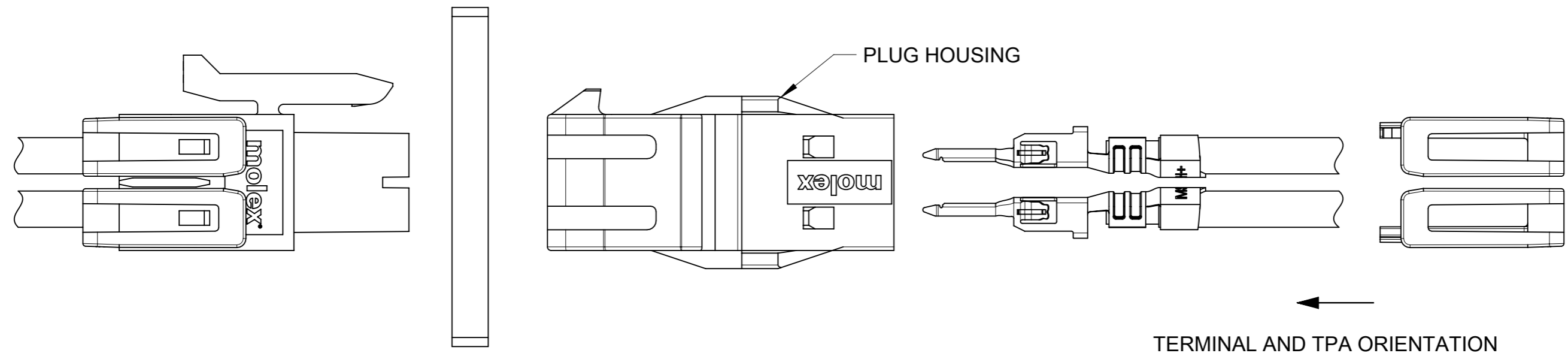
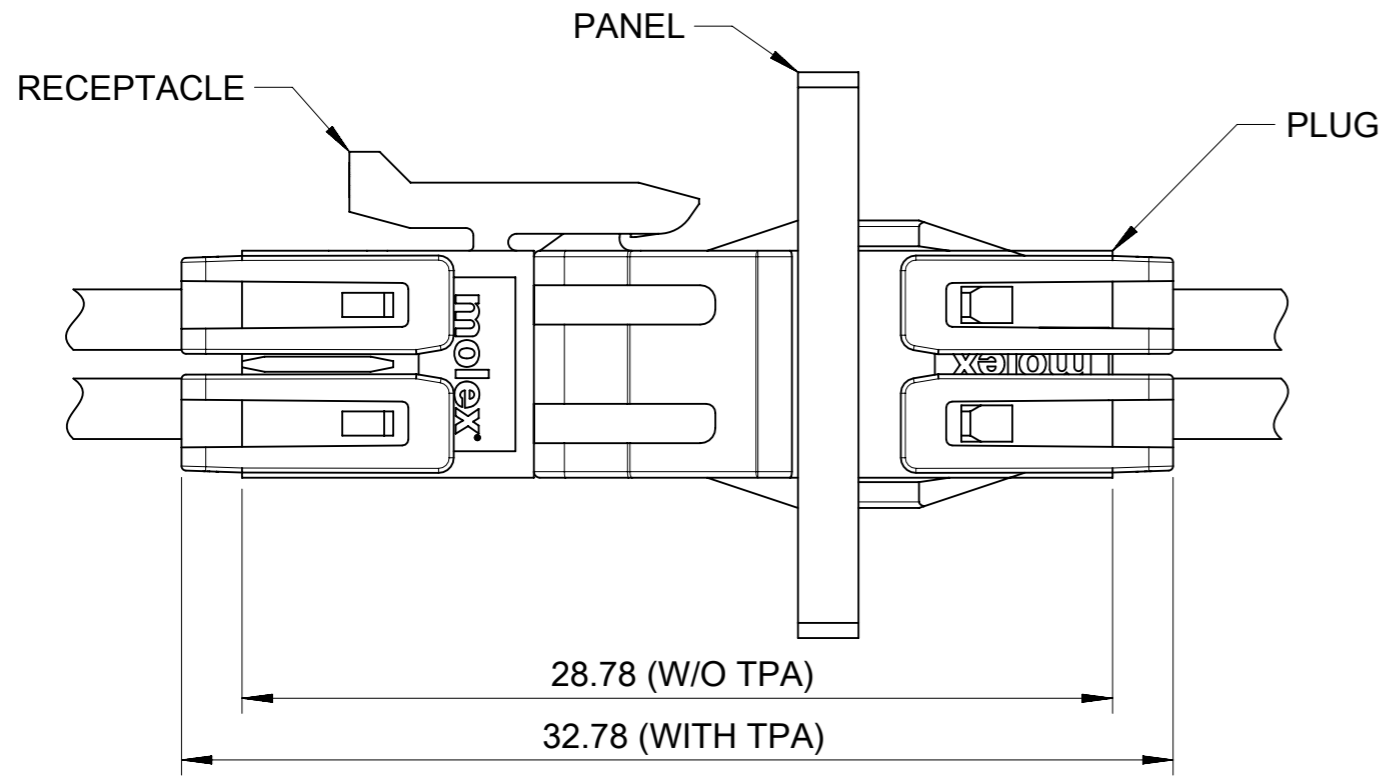


RECOMMENDED PANEL CUT OUT
(TOLERANCE +/-0.05 THICKNESS=1.2~2.2MM)

DIM 'A'	DIM 'C'	DIM 'D'	DIM 'E'	DIM 'F'	CKT SIZE
3.85	6.25	10.77	8.77	4.15	2
6.85	9.25	13.77	11.77	7.15	4
9.85	12.25	16.77	14.77	10.15	6
12.85	15.25	19.77	17.77	13.15	8
15.85	18.25	22.77	20.77	16.15	10
18.85	21.25	25.77	23.77	19.15	12
21.85	24.25	28.77	26.77	22.15	14
24.85	27.25	31.77	29.77	25.15	16
27.85	30.25	34.77	32.77	28.15	18
30.85	33.25	37.77	35.77	31.15	20
33.85	36.25	40.77	38.77	34.15	22
36.85	39.25	43.77	41.77	37.15	24

FUNCTIONAL SYMBOLS $\nabla_A = 0$ $\nabla_E = 0$ $\nabla_F = 0$	THIS DRAWING CONTAINS INFORMATION THAT IS PROPRIETARY TO MOLEX ELECTRONIC TECHNOLOGIES, LLC AND SHOULD NOT BE USED WITHOUT WRITTEN PERMISSION	CURRENT REV DESC:				
	DIMENSION UNITS: mm	SCALE: 1:1	GENERAL TOLERANCES (UNLESS SPECIFIED)			
	DIVISIONAL SYMBOLS	ANGULAR TOL ± °	4 PLACES ±	EC NO: 760703	PLUG HOUSING OF MICRO-FIT PLUS WTW DR POWER CONNECTOR	
	3 PLACES ±	DRWN: VENKAS5	2023/02/28	PRODUCT CUSTOMER DRAWING		
2 PLACES ± 0.2	CHK'D: VENKAS5	2023/08/24	DOCUMENT NUMBER			
1 PLACE ± 0.3	APPR: MRAMAKRISHNA	2023/08/24	DOC TYPE			
0 PLACES ±	INITIAL REVISION:		DOC PART			
DRAFT WHERE APPLICABLE MUST REMAIN WITHIN DIMENSIONS	DRWN: GLLI	2021/01/29	REVISION			
THIRD ANGLE PROJECTION	APPR: XQZHANG	2021/11/15	2159220000-SD			
DRAWING	SERIES		PSD 000 B			
A3-SIZE	215922		GENERAL MARKET			
			SHEET NUMBER			
			3 OF 6			

PANEL MOUNT PLUG PARTS



←
TERMINAL AND TPA ORIENTATION

FUNCTIONAL SYMBOLS	THIS DRAWING CONTAINS INFORMATION THAT IS PROPRIETARY TO MOLEX ELECTRONIC TECHNOLOGIES, LLC AND SHOULD NOT BE USED WITHOUT WRITTEN PERMISSION		<div style="text-align: center;">molex</div>			
	$\nabla_A = 0$ $\nabla_E = 0$ $\nabla_P = 0$	DIMENSION UNITS: mm SCALE: 1:1				
DIVISIONAL SYMBOLS	GENERAL TOLERANCES (UNLESS SPECIFIED)		PRODUCT CUSTOMER DRAWING			
	ANGULAR TOL ± °		DOCUMENT NUMBER			
	4 PLACES ±	EC NO: 760703	2021/01/29		2021/11/15	
	3 PLACES ±	DRWN: VENKAS5	2021/01/29		2021/11/15	
2 PLACES ± 0.2	APPR: MRAMAKRISHNA	2021/01/29		2021/11/15		
1 PLACE ± 0.3	INITIAL REVISION:	2021/01/29		2021/11/15		
0 PLACES ±	DRWN: GLLI	2021/01/29		2021/11/15		
DRAFT WHERE APPLICABLE MUST REMAIN WITHIN DIMENSIONS		THIRD ANGLE PROJECTION	DRAWING	SERIES	MATERIAL NUMBER	CUSTOMER
			A3-SIZE	215922	2159220000-SD	GENERAL MARKET
						SHEET NUMBER
						4 OF 6

FREE HANGING				PANEL MOUNT			
PART NUMBER	CKT	POLARIZATION	COLOR	PART NUMBER	CKT	POLARIZATION	COLOR
215922-0201	2	A	BLACK	215922-0200	2	A	BLACK
215922-0211		B	NATURAL	2159220210		B	NATURAL
215922-0221		C	RED	2159220220		C	RED
215922-0231		D	BLUE	2159220230		D	BLUE
215922-0241		E	YELLOW	2159220240		E	YELLOW
215922-0401	4	A	BLACK	215922-0400	4	A	BLACK
215922-0411		B	NATURAL	2159220410		B	NATURAL
215922-0421		C	RED	2159220420		C	RED
215922-0431		D	BLUE	2159220430		D	BLUE
215922-0441		E	YELLOW	2159220440		E	YELLOW
215922-0601	6	A	BLACK	215922-0600	6	A	BLACK
215922-0611		B	NATURAL	2159220610		B	NATURAL
215922-0621		C	RED	2159220620		C	RED
215922-0631		D	BLUE	2159220630		D	BLUE
215922-0641		E	YELLOW	2159220640		E	YELLOW
215922-0801	8	A	BLACK	215922-0800	8	A	BLACK
215922-0811		B	NATURAL	2159220810		B	NATURAL
215922-0821		C	RED	2159220820		C	RED
215922-0831		D	BLUE	2159220830		D	BLUE
215922-0841		E	YELLOW	2159220840		E	YELLOW
215922-1001	10	A	BLACK	215922-1000	10	A	BLACK
215922-1011		B	NATURAL	2159221010		B	NATURAL
215922-1021		C	RED	2159221020		C	RED
215922-1031		D	BLUE	2159221030		D	BLUE
215922-1041		E	YELLOW	2159221040		E	YELLOW
215922-1201	12	A	BLACK	215922-1200	12	A	BLACK
215922-1211		B	NATURAL	2159221210		B	NATURAL
215922-1221		C	RED	2159221220		C	RED
215922-1231		D	BLUE	2159221230		D	BLUE
215922-1241		E	YELLOW	2159221240		E	YELLOW
215922-1401	14	A	BLACK	215922-1400	14	A	BLACK
215922-1601	16	A	BLACK	215922-1600	16	A	BLACK
215922-1801	18	A	BLACK	215922-1800	18	A	BLACK
215922-2001	20	A	BLACK	215922-2000	20	A	BLACK
215922-2201	22	A	BLACK	215922-2200	22	A	BLACK
215922-2401	24	A	BLACK	215922-2400	24	A	BLACK

FUNCTIONAL SYMBOLS	THIS DRAWING CONTAINS INFORMATION THAT IS PROPRIETARY TO MOLEX ELECTRONIC TECHNOLOGIES, LLC AND SHOULD NOT BE USED WITHOUT WRITTEN PERMISSION		CURRENT REV DESC:	molex
	$\nabla_A = 0$ $\nabla_E = 0$ $\nabla_P = 0$	DIMENSION UNITS: mm SCALE: 1:1		
DIVISIONAL SYMBOLS	DRAFT WHERE APPLICABLE MUST REMAIN WITHIN DIMENSIONS		INITIAL REVISION: DRWN: GLLI 2021/01/29 APPR: XQZHANG 2021/11/15	PRODUCT CUSTOMER DRAWING
DOCUMENT STATUS: P1		RELEASE DATE: 2023/08/24 11:19:06	THIRD ANGLE PROJECTION 	DRAWING: A3-SIZE SERIES: 215922
DOCUMENT NUMBER: 2159220000-SD		DOC TYPE: PSD	DOC PART: 000	REVISION: B
MATERIAL NUMBER: GENERAL MARKET		CUSTOMER: GENERAL MARKET	SHEET NUMBER: 5 OF 6	

CKT	POLARIZATION "A" - BLACK	POLARIZATION "B" - NATURAL	POLARIZATION "C" - RED	POLARIZATION "D" - BLUE	POLARIZATION "E" - YELLOW
2					
4					
6					
8					
10					
12					

CKT	POLARIZATION "A" - BLACK
14	
16	
18	
20	
22	
24	

FUNCTIONAL SYMBOLS		THIS DRAWING CONTAINS INFORMATION THAT IS PROPRIETARY TO MOLEX ELECTRONIC TECHNOLOGIES, LLC AND SHOULD NOT BE USED WITHOUT WRITTEN PERMISSION		CURRENT REV DESC:	
$\frac{F}{A} = 0$	DIMENSION UNITS	SCALE	EC NO: 760703		
$\frac{F}{C} = 0$	mm	3:1	DRWN: VENKAS5	2023/02/28	 PLUG HOUSING OF MICRO-FIT PLUS WTW DR POWER CONNECTOR
$\frac{F}{P} = 0$	GENERAL TOLERANCES (UNLESS SPECIFIED)		CHK'D: VENKAS5	2023/08/24	
DIVISIONAL SYMBOLS		ANGULAR TOL	APPR: MRAMAKRISHNA	2023/08/24	PRODUCT CUSTOMER DRAWING
		4 PLACES ±	INITIAL REVISION:		DOCUMENT NUMBER
		3 PLACES ±	DRWN: GLLI	2021/01/29	2159220000-SD
		2 PLACES ± 0.2	APPR: XQZHANG	2021/11/15	DOC TYPE
		1 PLACE ± 0.3	THIRD ANGLE PROJECTION		DOC PART
		0 PLACES ±	DRAWING	SERIES	REVISION
DRAFT WHERE APPLICABLE MUST REMAIN WITHIN DIMENSIONS		A2-SIZE		215922	B
		SEE CHART IN LAST SHEET		MATERIAL NUMBER	CUSTOMER
		GENERAL MARKET		SHEET NUMBER	
		6 OF 6			