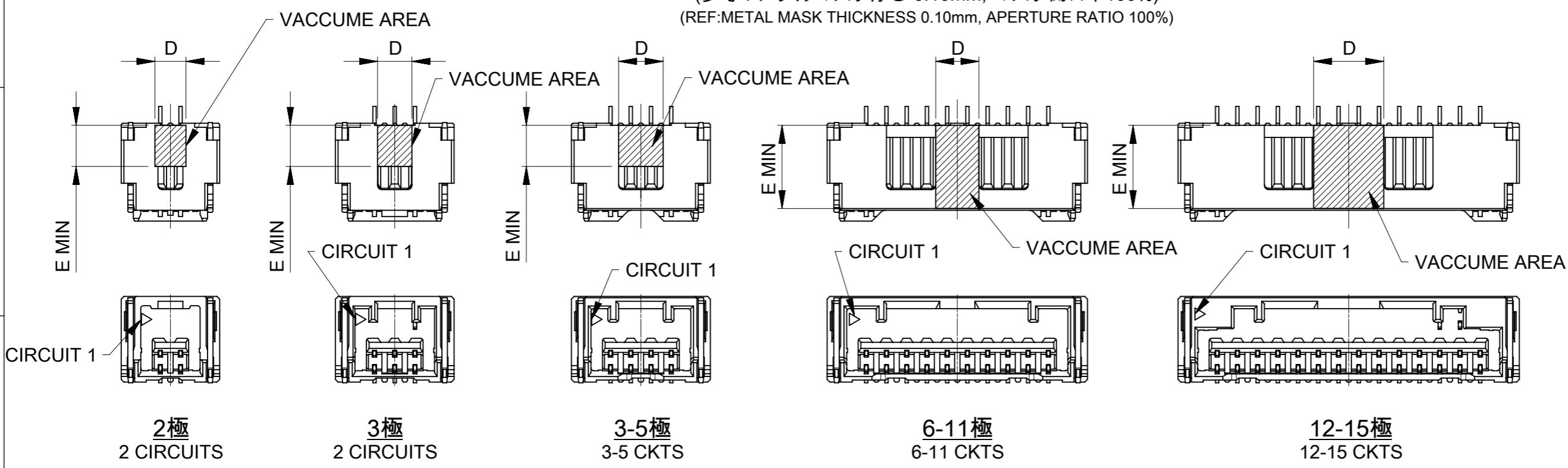


パターン非推奨エリア
 パターンを引き回す際は、製品機能に影響がないことをご確認ください。
 PATTERN IS NOT RECCOMENDED ON THE HATCHED AREA.
 PLEASE CHECK NOT TO HAVE PROBLEM FOR PRODUCT FUNCTION
 WHEN SETTING PATTERN ON THE HATCHED AREA.

基板パターンレイアウト(参考)
 RECCOMENDED PCB PATTERN LAYOUT (REF.)
 (参考：メタルマスク厚さ 0.10mm, マスク開口率100%)
 (REF:METAL MASK THICKNESS 0.10mm, APERTURE RATIO 100%)



ロック形状および吸着エリア
 LOCK SHAPE AND VACCUME AREA

| | | |
|-----|-----|---------|
| 6 | 5.2 | 15 |
| | | 14 |
| | | 13 |
| | | 12 |
| | | 11 |
| 2.9 | 3.2 | 10 |
| | | 9 |
| | | 8 |
| | | 7 |
| | | 6 |
| E | D | CKT NO. |
| | | 2.3 |
| | | 3.6 |
| | | 3.3 |
| | | 2.55 |
| | 2.3 | 2 |

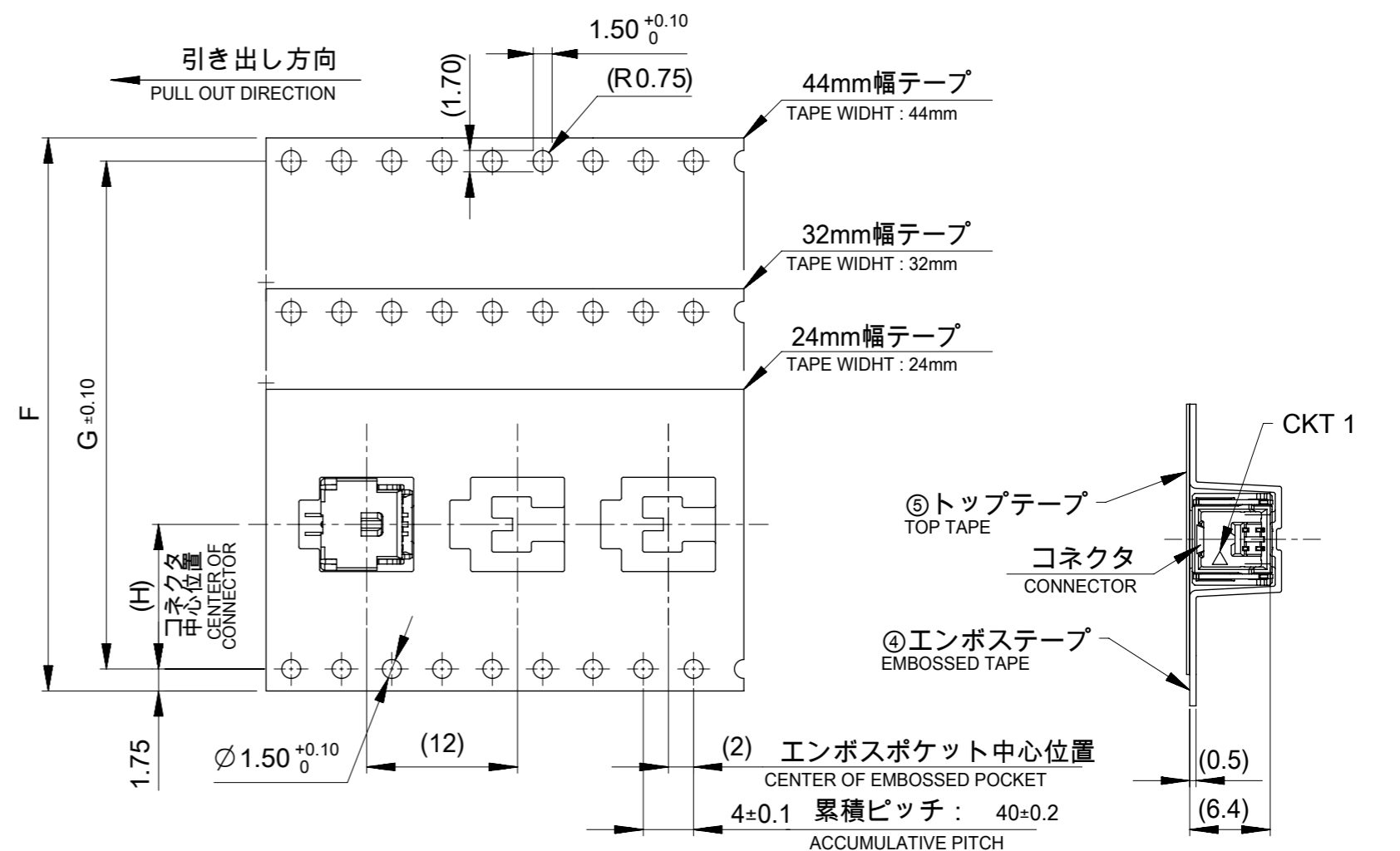
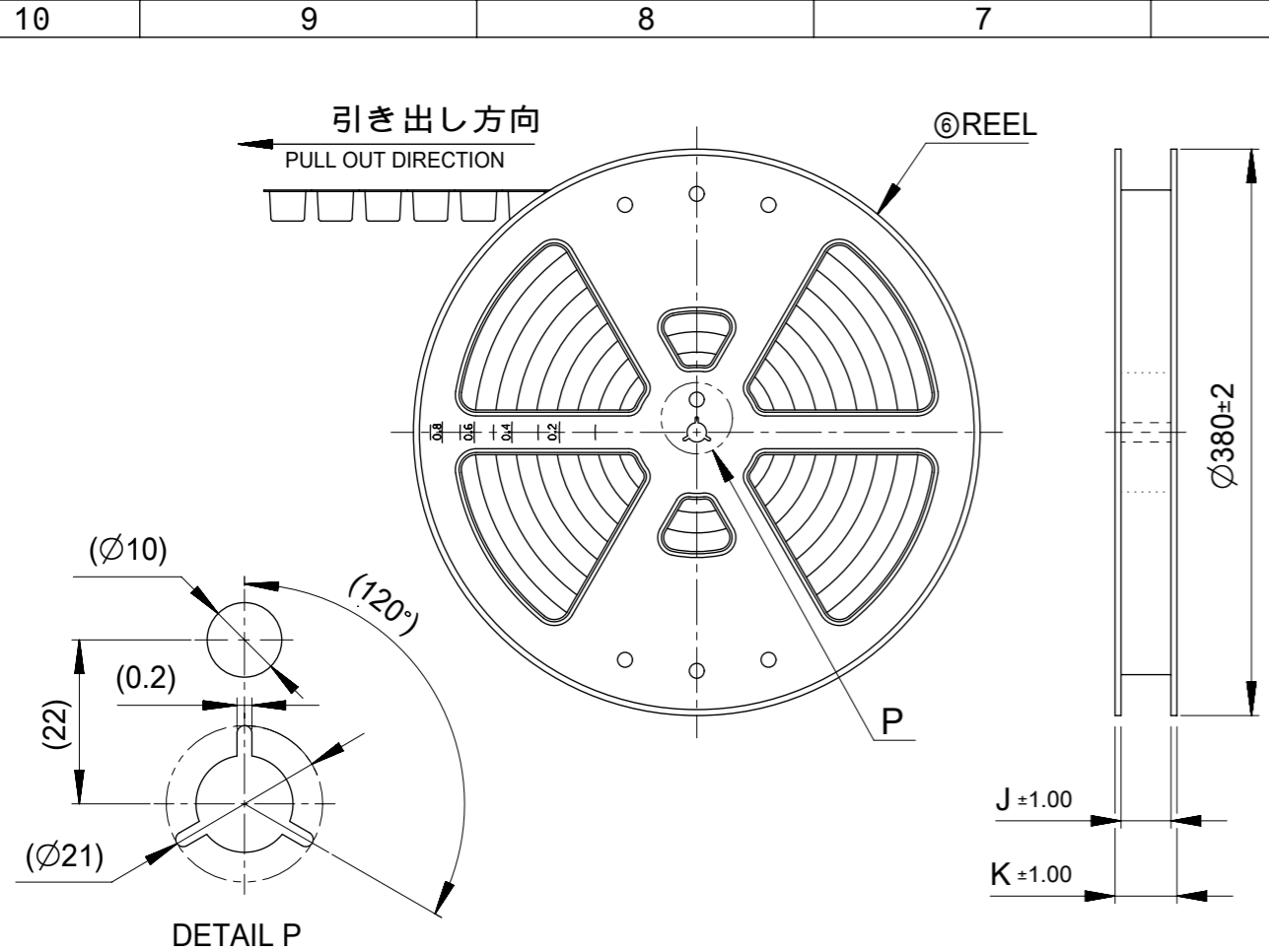
THIS DRAWING CONTAINS INFORMATION THAT IS PROPRIETARY TO MOLEX ELECTRONIC TECHNOLOGIES, LLC AND SHOULD NOT BE USED WITHOUT WRITTEN PERMISSION

| | | | |
|--|---------|-------------------|------------|
| DIMENSION UNITS | SCALE | CURRENT REV DESC: | |
| mm | NTS | | |
| GENERAL TOLERANCES (UNLESS SPECIFIED) | | | |
| ANGULAR TOL | ± 3.0 ° | | |
| 4 PLACES | ± 0.2 | EC NO: 742719 | |
| 3 PLACES | ± 0.2 | DRWN: MIKEDA01 | 2023/06/23 |
| 2 PLACES | ± 0.2 | CHK'D: SAKIYAMA | 2023/06/23 |
| 1 PLACE | ± 0.2 | APPR: AIDA | 2023/06/23 |
| 0 PLACES | ± 0.2 | INITIAL REVISION: | |
| DRAFT WHERE APPLICABLE MUST REMAIN WITHIN DIMENSIONS | | DRWN: MIKEDA01 | 2019/10/01 |
| THIRD ANGLE PROJECTION | | APPR: KOMURAKAMI | 2019/11/20 |
| DRAWING | SERIES | MATERIAL NUMBER | CUSTOMER |
| A3-SIZE | 213226 | 2132260000-SD | GENERAL |

molex
 CLIK-MATE 1.5
 SINGLE ROW SMT R/A TYPE REC ASSY GOLD PLATING

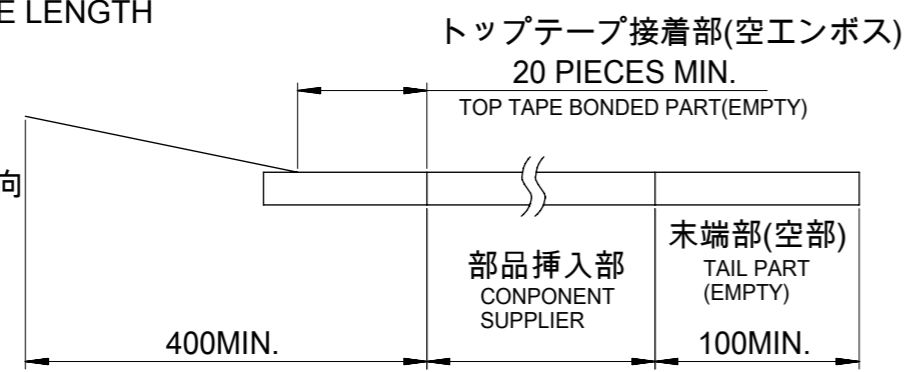
PRODUCT CUSTOMER DRAWING

| | | | |
|-----------------|----------|----------|----------|
| DOCUMENT NUMBER | DOC TYPE | DOC PART | REVISION |
| 2132260000-SD | PSD | 000 | E |
| SHEET NUMBER | | 2 OF 5 | |



NOTES

- 5. 梱包数量 : 1,000個/リール
NUMBER OF CONNECTORS: 1,000 PIECES/REEL
- 6. リードテープ長さ
LEAD TAPE LENGTH
- 7. トップテープの剥離強度はJIS C0806-3に準拠
TOP TAPE PEELING FORCE IS DIFINED BY JIS C0806-3.
- 8. 本製品は乾燥剤入り、ハイバリア梱包による納入である
THIS PRODUCT IS DELIVERED IN A HIGH-BARRIER PACKAGE WITH DESICCANT



| | | | | | |
|------|------|------|------|------------------------------------|----------------|
| 49.4 | 45.4 | 20.2 | 40.4 | 44±0.3 | 15 |
| | | | | | 14 |
| | | | | | 13 |
| | | | | | 12 |
| | | | | | 11 |
| | | | | | 10 |
| 37.4 | 33.4 | 14.2 | 28.4 | 32±0.3 | 9 |
| | | | | | 8 |
| | | | | | 7 |
| | | | | | 6 |
| 29.4 | 25.4 | 11.5 | - | 24 ^{+0.3} _{-0.1} | 5 |
| | | | | | 4 |
| | | | | | 3 |
| | | | | | 2 |
| K | J | H | G | エンボステープ幅F WIDTH OF TAPE | 極数 CKT. NO. |

| 番号 No. | 部品 PART | 材質 MATERIAL |
|-----------|---------------------------|--|
| ④ | エンボステープ EMBOSSSED TAPE | ポリスチレン(PS) POLYSTYLENE |
| ⑤ | トップテープ TOP TAPE | ポリエチレン、ポリエチレンテレフタレート POLYETHYLENE (PE), POLYETHYLENE TELEPHTHALATE(PET) |
| ⑥ | リール REEL | ポリスチレン (リサイクル材を含む) POLYSTYLENE (CONTAINED RECYCLED MATERIAL) |

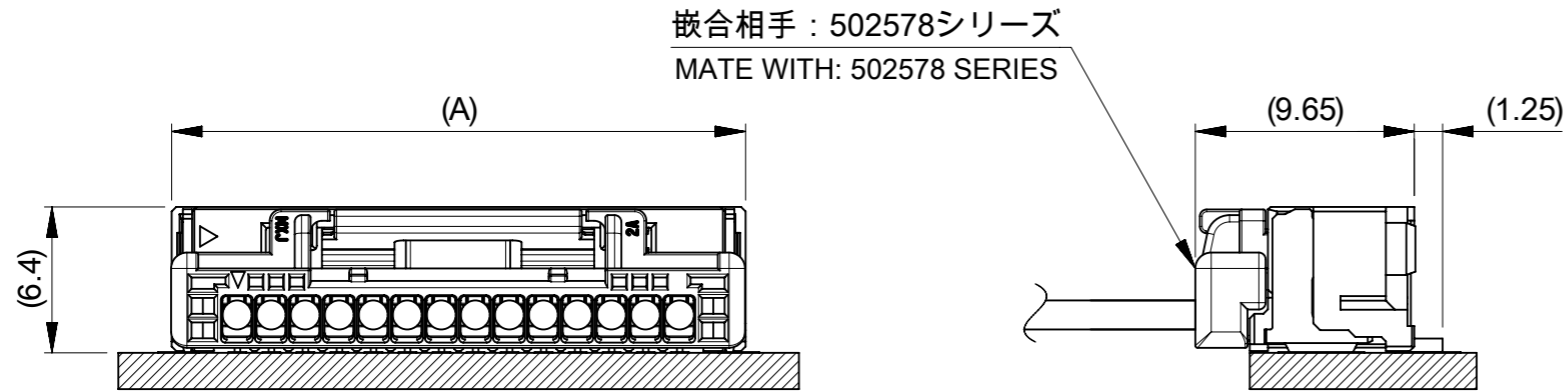
THIS DRAWING CONTAINS INFORMATION THAT IS PROPRIETARY TO MOLEX ELECTRONIC TECHNOLOGIES, LLC AND SHOULD NOT BE USED WITHOUT WRITTEN PERMISSION

| | | | | | | |
|--|----------------|-------------------|------------|--------------------------|----------|----------|
| DIMENSION UNITS mm | SCALE NTS | CURRENT REV DESC: | | molex | | |
| GENERAL TOLERANCES (UNLESS SPECIFIED) | | EC NO: 742719 | | | | |
| ANGULAR TOL ± 3.0° | 4 PLACES ± 0.2 | DRWN: MIKEDA01 | 2023/06/23 | PRODUCT CUSTOMER DRAWING | | |
| 3 PLACES ± 0.2 | 2 PLACES ± 0.2 | CHK'D: SAKIYAMA | 2023/06/23 | DOCUMENT NUMBER | | |
| 1 PLACE ± 0.2 | 0 PLACES ± 0.2 | APPR: AIDA | 2023/06/23 | 2132260000-SD | | |
| DRAFT WHERE APPLICABLE MUST REMAIN WITHIN DIMENSIONS | | INITIAL REVISION: | | DOC TYPE | DOC PART | REVISION |
| THIRD ANGLE PROJECTION | | DRWN: MIKEDA01 | 2019/10/01 | PSD | 000 | E |
| DRAWING | | APPR: KOMURAKAMI | 2019/11/20 | SHEET NUMBER | | |
| A3-SIZE | | SERIES | 213226 | GENERAL | | |
| MATERIAL NUMBER | | CUSTOMER | | 3 OF 5 | | |

△ 3 適用製品及び各種仕様書
 APPLICABLE PRODUCTS AND VARIOUS SPECIFICATIONS

| | | |
|----------------------------------|-------------|-----------------|
| 梱包仕様書 PACKAGING SPECIFICATION | PART NUMBER | DOCUMENT NUMBER |
| | 213226 **** | 2132269200-SPK |

| | | | | |
|--|--|-------------------------|-------------|-------------|
| 適用嵌合相手 MATE WITH | HOUSING 502578 **** | TERMINAL (GOLD PLATING) | | |
| 製品番号 PRODUCT NUMBER | | PLATING THK | #24-28 | #28-30 |
| | | 0.1 micro-meters | 213028 1*00 | 213029 1*00 |
| | 0.38 micro-meters | 213028 3*00 | 213029 3*00 | |
| 製品仕様書 PRODUCT SPECIFICATION | 5025780004-PS | | | |
| アプリケーション仕様書 APPLICATION SPECIFICATION | AS-502578-00* (*: 1...JAPANESE, 2...ENGLISH) | | | |



嵌合図
MATED CONNECTORS

| | | | | | | | | | |
|---|-----------------------------|---------------------------|---------|--------------------------|--|---------|-----|-----|--------|
| THIS DRAWING CONTAINS INFORMATION THAT IS PROPRIETARY TO MOLEX ELECTRONIC TECHNOLOGIES, LLC AND SHOULD NOT BE USED WITHOUT WRITTEN PERMISSION | | | | | | | | | |
| DIMENSION UNITS | SCALE | CURRENT REV DESC: | | | molex | | | | |
| mm | NTS | | | | | | | | |
| GENERAL TOLERANCES (UNLESS SPECIFIED) | | EC NO: 742719 | | | CLIK-MATE 1.5 SINGLE ROW SMT R/A TYPE REC ASSY GOLD PLATING | | | | |
| ANGULAR TOL ± 3.0 ° | | DRWN: MIKEDA01 2023/06/23 | | | | | | | |
| 4 PLACES ± 0.2 | CHK'D: SAKIYAMA 2023/06/23 | | | PRODUCT CUSTOMER DRAWING | | | | | |
| 3 PLACES ± 0.2 | APPR: AIDA 2023/06/23 | | | | | | | | |
| 2 PLACES ± 0.2 | INITIAL REVISION: | | | DOCUMENT NUMBER | | | | | |
| 1 PLACE ± 0.2 | DRWN: MIKEDA01 2019/10/01 | | | | | | | | |
| 0 PLACES ± 0.2 | APPR: KOMURAKAMI 2019/11/20 | | | 2132260000-SD | | | | | |
| DRAFT WHERE APPLICABLE MUST REMAIN WITHIN DIMENSIONS | | THIRD ANGLE PROJECTION | DRAWING | | | | | | SERIES |
| | | | A3-SIZE | 213226 | | GENERAL | PSD | 000 | E |

4 製品一覧
PRODUCTS LIST

| 黒 BLACK | ナチュラル NATURAL | HOUSING COLOR | |
|-----------------|---------------|---------------|---|
| 213226 1511 | 213226 1510 | 15 | 213226 **1* (GOLD PLATING THICKNESS: 0.1 micro-meters MIN) |
| 213226 1411 | 213226 1410 | 14 | |
| 213226 1311 | 213226 1310 | 13 | |
| 213226 1211 | 213226 1210 | 12 | |
| 213226 1111 | 213226 1110 | 11 | |
| 213226 1011 | 213226 1010 | 10 | |
| 213226 0911 | 213226 0910 | 9 | |
| 213226 0811 | 213226 0810 | 8 | |
| 213226 0711 | 213226 0710 | 7 | |
| 213226 0611 | 213226 0610 | 6 | |
| 213226 0511 | 213226 0510 | 5 | |
| 213226 0411 | 213226 0410 | 4 | |
| 213226 0311 | 213226 0310 | 3 | |
| 213226 0211 | 213226 0210 | 2 | |
| オーダー番号 ORDER No | | 極数 CKT | |

| 黒 BLACK | ナチュラル NATURAL | HOUSING COLOR | |
|-----------------|---------------|---------------|--|
| 213226 1531 | 213226 1530 | 15 | 213226 **3* (GOLD PLATING THICKNESS: 0.38 micro-meters MIN) |
| 213226 1431 | 213226 1430 | 14 | |
| 213226 1331 | 213226 1330 | 13 | |
| 213226 1231 | 213226 1230 | 12 | |
| 213226 1131 | 213226 1130 | 11 | |
| 213226 1031 | 213226 1030 | 10 | |
| 213226 0931 | 213226 0930 | 9 | |
| 213226 0831 | 213226 0830 | 8 | |
| 213226 0731 | 213226 0730 | 7 | |
| 213226 0631 | 213226 0630 | 6 | |
| 213226 0531 | 213226 0530 | 5 | |
| 213226 0431 | 213226 0430 | 4 | |
| 213226 0331 | 213226 0330 | 3 | |
| 213226 0231 | 213226 0230 | 2 | |
| オーダー番号 ORDER No | | 極数 CKT | |

| 黒 BLACK | ナチュラル NATURAL | HOUSING COLOR | |
|-----------------|---------------|---------------|--|
| 213226 1571 | 213226 1570 | 15 | 213226 **7* (GOLD PLATING THICKNESS: 0.76 micro-meters MIN) |
| 213226 1471 | 213226 1470 | 14 | |
| 213226 1371 | 213226 1370 | 13 | |
| 213226 1271 | 213226 1270 | 12 | |
| 213226 1171 | 213226 1170 | 11 | |
| 213226 1071 | 213226 1070 | 10 | |
| 213226 0971 | 213226 0970 | 9 | |
| 213226 0871 | 213226 0870 | 8 | |
| 213226 0771 | 213226 0770 | 7 | |
| 213226 0671 | 213226 0670 | 6 | |
| 213226 0571 | 213226 0570 | 5 | |
| 213226 0471 | 213226 0470 | 4 | |
| 213226 0371 | 213226 0370 | 3 | |
| 213226 0271 | 213226 0270 | 2 | |
| オーダー番号 ORDER No | | 極数 CKT | |

| | | | | | | | | | | | | |
|---|--|-------|--|--|--|---------|--|---|--|----------|----------|--------------|
| THIS DRAWING CONTAINS INFORMATION THAT IS PROPRIETARY TO MOLEX ELECTRONIC TECHNOLOGIES, LLC AND SHOULD NOT BE USED WITHOUT WRITTEN PERMISSION | | | | | | | | | | | | |
| DIMENSION UNITS | | SCALE | | CURRENT REV DESC: | | | | molex | | | | |
| mm | | NTS | | | | | | | | | | |
| GENERAL TOLERANCES (UNLESS SPECIFIED) | | | | EC NO: 742719 DRWN: MIKEDA01 2023/06/23 CHK'D: SAKIYAMA 2023/06/23 APPR: AIDA 2023/06/23 INITIAL REVISION: DRWN: MIKEDA01 2019/10/01 APPR: KOMURAKAMI 2019/11/20 | | | | SINGLE ROW SMT R/A TYPE REC ASSY GOLD PLATING | | | | |
| ANGULAR TOL ± 3.0 ° | | | | | | | | PRODUCT CUSTOMER DRAWING | | | | |
| 4 PLACES ± 0.2 | | | | | | | | DOCUMENT NUMBER | | DOC TYPE | DOC PART | REVISION |
| 3 PLACES ± 0.2 | | | | | | | | 2132260000-SD | | PSD | 000 | E |
| 2 PLACES ± 0.2 | | | | | | | | MATERIAL NUMBER | | CUSTOMER | | SHEET NUMBER |
| 1 PLACE ± 0.2 | | | | A3-SIZE | | GENERAL | | 5 OF 5 | | | | |
| 0 PLACES ± 0.2 | | | | SERIES | | | | | | | | |
| DRAFT WHERE APPLICABLE MUST REMAIN WITHIN DIMENSIONS | | | | THIRD ANGLE PROJECTION | | | | | | | | |