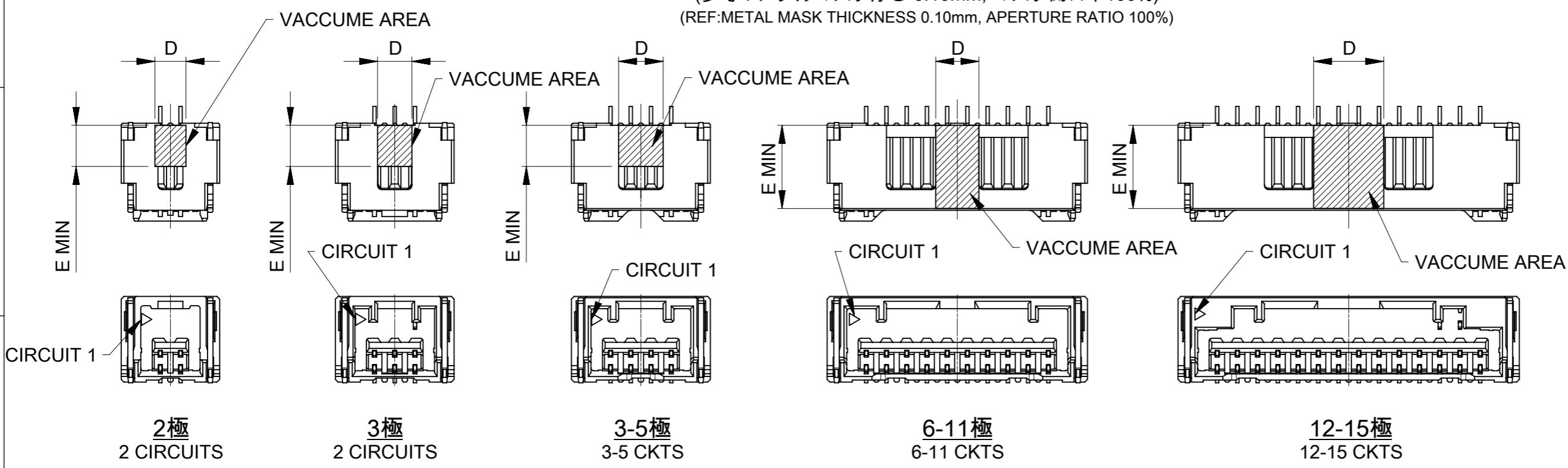


**パターン非推奨エリア**   
 パターンを引き回す際は、製品機能に影響がないことをご確認ください。  
 PATTERN IS NOT RECCOMENDED ON THE HATCHED AREA.  
 PLEASE CHECK NOT TO HAVE PROBLEM FOR PRODUCT FUNCTION  
 WHEN SETTING PATTERN ON THE HATCHED AREA.

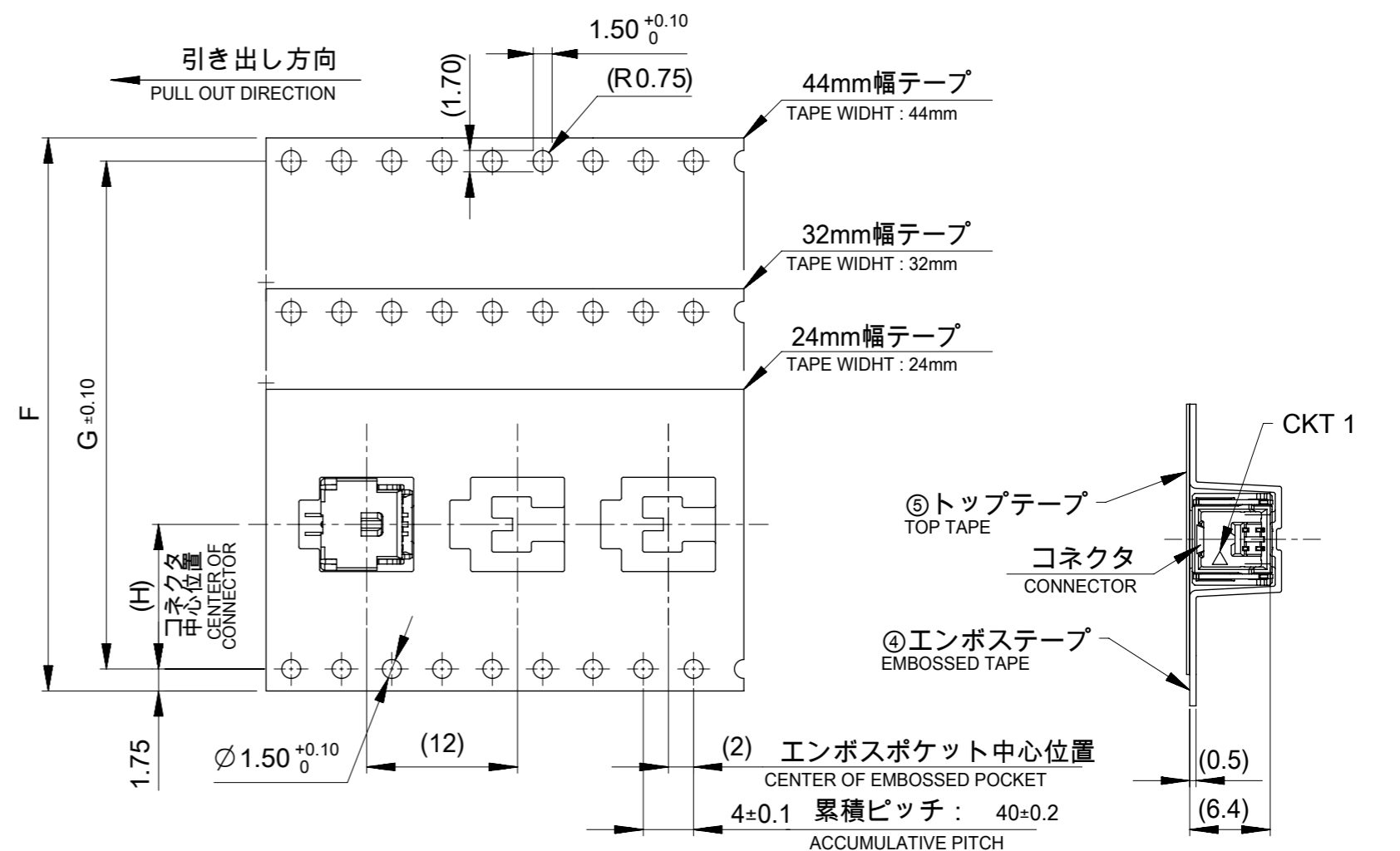
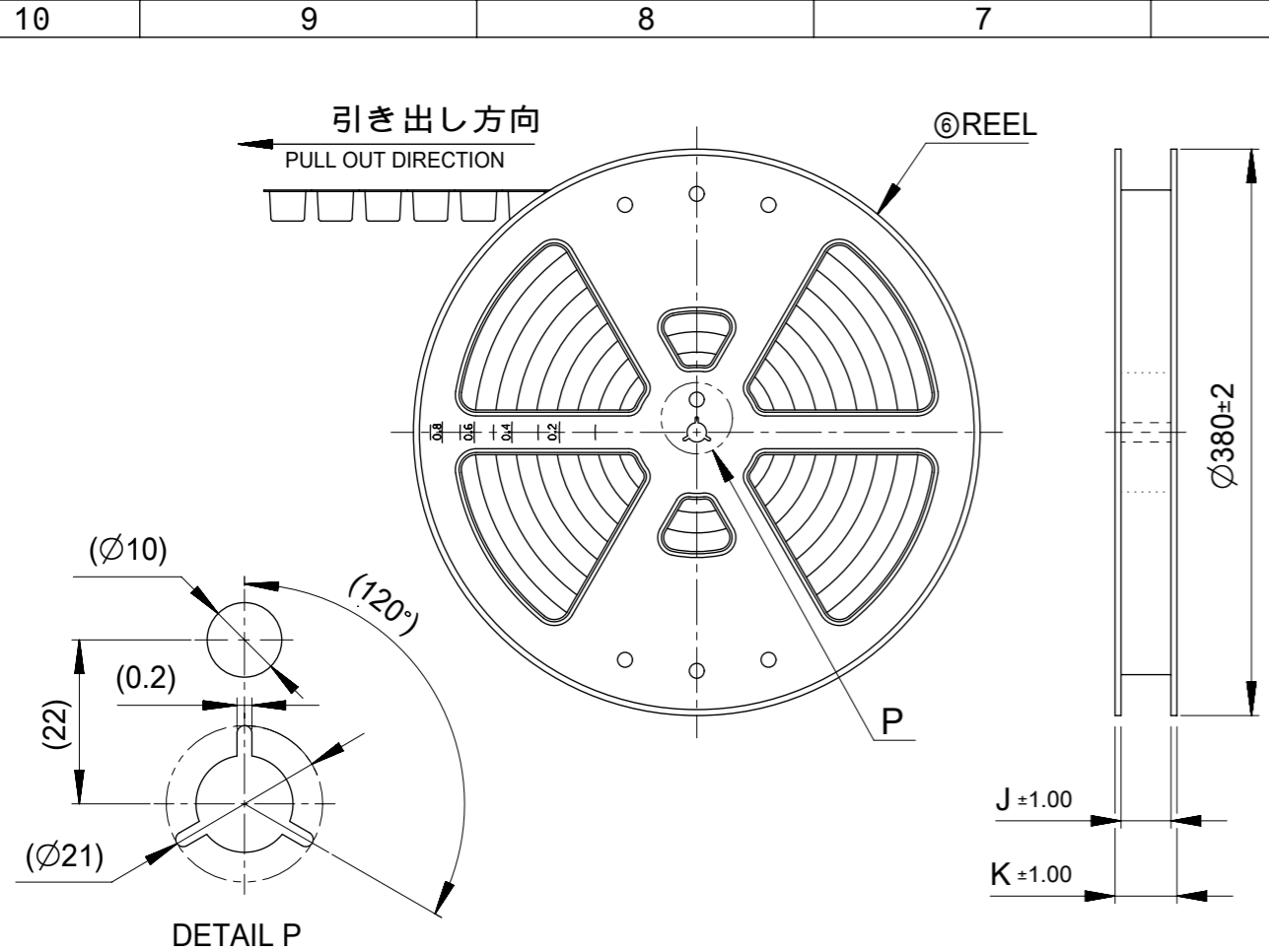
**基板パターンレイアウト(参考)**  
 RECCOMENDED PCB PATTERN LAYOUT (REF.)  
 (参考：メタルマスク厚さ 0.10mm, マスク開口率100%)  
 (REF:METAL MASK THICKNESS 0.10mm, APERTURE RATIO 100%)



**ロック形状および吸着エリア**  
 LOCK SHAPE AND VACCUME AREA

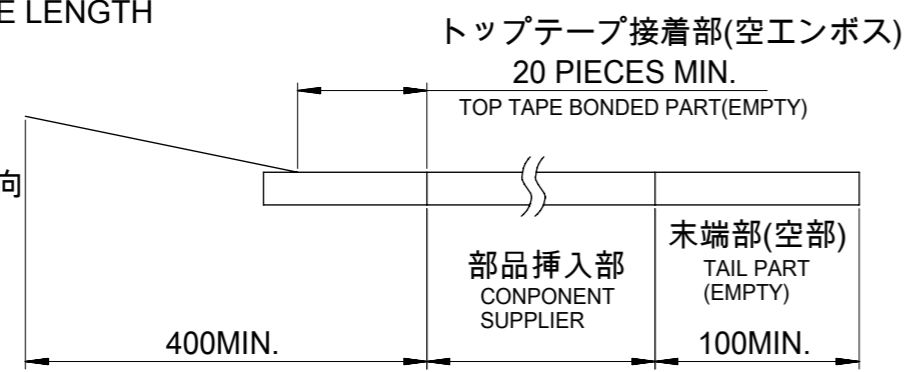
6	5.2	15
		14
		13
		12
		11
2.9	3.2	10
		9
	2.5	8
		7
		6
2.3	3.6	5
		4
	2.55	3
		2.3
E	D	CKT NO.

THIS DRAWING CONTAINS INFORMATION THAT IS PROPRIETARY TO MOLEX ELECTRONIC TECHNOLOGIES, LLC AND SHOULD NOT BE USED WITHOUT WRITTEN PERMISSION		CURRENT REV DESC:		<b>molex</b>	
DIMENSION UNITS	SCALE				
mm	NTS			CLIK-MATE 1.5 SINGLE ROW SMT R/A TYPE REC ASSY GOLD PLATING	
GENERAL TOLERANCES (UNLESS SPECIFIED)				PRODUCT CUSTOMER DRAWING	
ANGULAR TOL	± 3.0 °			DOCUMENT NUMBER	
4 PLACES	± 0.2	EC NO: 742719		2132260000-SD	
3 PLACES	± 0.2	DRWN: MIKEDA01		DOC TYPE	
2 PLACES	± 0.2	CHK'D: SAKIYAMA		PSD	
1 PLACE	± 0.2	APPR: AIDA		DOC PART	
0 PLACES	± 0.2	INITIAL REVISION:		000	
DRAFT WHERE APPLICABLE MUST REMAIN WITHIN DIMENSIONS		DRWN: MIKEDA01		REVISION	
THIRD ANGLE PROJECTION		APPR: KOMURAKAMI		E	
DRAWING		SERIES		SHEET NUMBER	
A3-SIZE		213226		2 OF 5	



**NOTES**

- 5. 梱包数量 : 1,000個/リール  
NUMBER OF CONNECTORS: 1,000 PIECES/REEL
- 6. リードテープ長さ  
LEAD TAPE LENGTH
- 7. トップテープの剥離強度はJIS C0806-3に準拠  
TOP TAPE PEELING FORCE IS DIFINED BY JIS C0806-3.
- 8. 本製品は乾燥剤入り、ハイバリア梱包による納入である  
THIS PRODUCT IS DELIVERED IN A HIGH-BARRIER PACKAGE WITH DESICCANT



49.4	45.4	20.2	40.4	44±0.3	15
					14
					13
					12
					11
					10
37.4	33.4	14.2	28.4	32±0.3	9
					8
					7
					6
29.4	25.4	11.5	-	24 <sup>+0.3</sup> <sub>-0.1</sub>	5
					4
					3
					2
K	J	H	G	エンボステープ幅F WIDTH OF TAPE	極数 CKT. NO.

番号 No.	部品 PART	材質 MATERIAL
④	エンボステープ EMBOSSSED TAPE	ポリスチレン(PS) POLYSTYLENE
⑤	トップテープ TOP TAPE	ポリエチレン、ポリエチレンテレフタレート POLYETHYLENE (PE), POLYETHYLENE TELEPHTHALATE(PET)
⑥	リール REEL	ポリスチレン (リサイクル材を含む) POLYSTYLENE (CONTAINED RECYCLED MATERIAL)

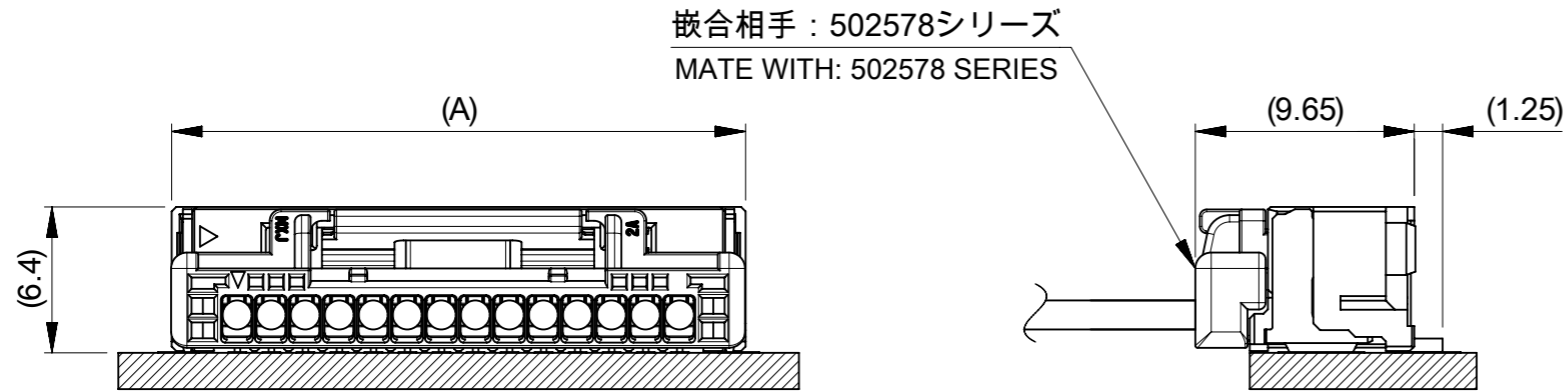
THIS DRAWING CONTAINS INFORMATION THAT IS PROPRIETARY TO MOLEX ELECTRONIC TECHNOLOGIES, LLC AND SHOULD NOT BE USED WITHOUT WRITTEN PERMISSION

DIMENSION UNITS	SCALE	CURRENT REV DESC:	<b>molex</b>		
mm	NTS				
GENERAL TOLERANCES (UNLESS SPECIFIED)			CLIK-MATE 1.5 SINGLE ROW SMT R/A TYPE REC ASSY GOLD PLATING		
ANGULAR TOL	± 3.0 °	EC NO: 742719	PRODUCT CUSTOMER DRAWING		
4 PLACES	± 0.2	DRWN: MIKEDA01 2023/06/23	DOCUMENT NUMBER		
3 PLACES	± 0.2	CHK'D: SAKIYAMA 2023/06/23	DOC TYPE		
2 PLACES	± 0.2	APPR: AIDA 2023/06/23	DOC PART		
1 PLACE	± 0.2	INITIAL REVISION:	REVISION		
0 PLACES	± 0.2	DRWN: MIKEDA01 2019/10/01	2132260000-SD		
DRAFT WHERE APPLICABLE MUST REMAIN WITHIN DIMENSIONS			PSD 000 E		
THIRD ANGLE PROJECTION			MATERIAL NUMBER		
DRAWING			CUSTOMER		
SERIES			SHEET NUMBER		
A3-SIZE			GENERAL		
213226			3 OF 5		

△ 3 適用製品及び各種仕様書  
 APPLICABLE PRODUCTS AND VARIOUS SPECIFICATIONS

梱包仕様書 PACKAGING SPECIFICATION	PART NUMBER	DOCUMENT NUMBER
	213226 ****	2132269200-SPK

適用嵌合相手 MATE WITH	HOUSING  502578 ****	TERMINAL (GOLD PLATING)		
製品番号 PRODUCT NUMBER		PLATING THK	#24-28	#28-30
		0.1 micro-meters	213028 1*00	213029 1*00
	0.38 micro-meters	213028 3*00	213029 3*00	
製品仕様書 PRODUCT SPECIFICATION	5025780004-PS			
アプリケーション仕様書 APPLICATION SPECIFICATION	AS-502578-00* (*: 1...JAPANESE, 2...ENGLISH)			



嵌合相手 : 502578シリーズ  
 MATE WITH: 502578 SERIES

嵌合図  
 MATED CONNECTORS

THIS DRAWING CONTAINS INFORMATION THAT IS PROPRIETARY TO MOLEX ELECTRONIC TECHNOLOGIES, LLC AND SHOULD NOT BE USED WITHOUT WRITTEN PERMISSION									
DIMENSION UNITS	SCALE	CURRENT REV DESC:			<b>molex</b>				
mm	NTS								
GENERAL TOLERANCES (UNLESS SPECIFIED)		EC NO: 742719			CLIK-MATE 1.5 SINGLE ROW SMT R/A TYPE REC ASSY GOLD PLATING				
ANGULAR TOL ± 3.0 °		DRWN: MIKEDA01 2023/06/23							
4 PLACES ± 0.2	CHK'D: SAKIYAMA 2023/06/23			PRODUCT CUSTOMER DRAWING					
3 PLACES ± 0.2	APPR: AIDA 2023/06/23								
2 PLACES ± 0.2	INITIAL REVISION:			DOCUMENT NUMBER					
1 PLACE ± 0.2	DRWN: MIKEDA01 2019/10/01								
0 PLACES ± 0.2	APPR: KOMURAKAMI 2019/11/20			2132260000-SD					
DRAFT WHERE APPLICABLE MUST REMAIN WITHIN DIMENSIONS		THIRD ANGLE PROJECTION	DRAWING						SERIES
			A3-SIZE	213226		GENERAL	PSD	000	E

4 製品一覧  
PRODUCTS LIST

黒 BLACK	ナチュラル NATURAL	HOUSING COLOR	
213226 1511	213226 1510	15	213226 **1* (GOLD PLATING THICKNESS: 0.1 micro-meters MIN)
213226 1411	213226 1410	14	
213226 1311	213226 1310	13	
213226 1211	213226 1210	12	
213226 1111	213226 1110	11	
213226 1011	213226 1010	10	
213226 0911	213226 0910	9	
213226 0811	213226 0810	8	
213226 0711	213226 0710	7	
213226 0611	213226 0610	6	
213226 0511	213226 0510	5	
213226 0411	213226 0410	4	
213226 0311	213226 0310	3	
213226 0211	213226 0210	2	
オーダー番号 ORDER No		極数 CKT	

黒 BLACK	ナチュラル NATURAL	HOUSING COLOR	
213226 1531	213226 1530	15	213226 **3* (GOLD PLATING THICKNESS: 0.38 micro-meters MIN)
213226 1431	213226 1430	14	
213226 1331	213226 1330	13	
213226 1231	213226 1230	12	
213226 1131	213226 1130	11	
213226 1031	213226 1030	10	
213226 0931	213226 0930	9	
213226 0831	213226 0830	8	
213226 0731	213226 0730	7	
213226 0631	213226 0630	6	
213226 0531	213226 0530	5	
213226 0431	213226 0430	4	
213226 0331	213226 0330	3	
213226 0231	213226 0230	2	
オーダー番号 ORDER No		極数 CKT	

黒 BLACK	ナチュラル NATURAL	HOUSING COLOR	
213226 1571	213226 1570	15	213226 **7* (GOLD PLATING THICKNESS: 0.76 micro-meters MIN)
213226 1471	213226 1470	14	
213226 1371	213226 1370	13	
213226 1271	213226 1270	12	
213226 1171	213226 1170	11	
213226 1071	213226 1070	10	
213226 0971	213226 0970	9	
213226 0871	213226 0870	8	
213226 0771	213226 0770	7	
213226 0671	213226 0670	6	
213226 0571	213226 0570	5	
213226 0471	213226 0470	4	
213226 0371	213226 0370	3	
213226 0271	213226 0270	2	
オーダー番号 ORDER No		極数 CKT	

THIS DRAWING CONTAINS INFORMATION THAT IS PROPRIETARY TO MOLEX ELECTRONIC TECHNOLOGIES, LLC AND SHOULD NOT BE USED WITHOUT WRITTEN PERMISSION												
DIMENSION UNITS		SCALE		CURRENT REV DESC:				<b>molex</b>				
mm		NTS										
GENERAL TOLERANCES (UNLESS SPECIFIED)				EC NO: 742719 DRWN: MIKEDA01 2023/06/23 CHK'D: SAKIYAMA 2023/06/23 APPR: AIDA 2023/06/23 INITIAL REVISION: DRWN: MIKEDA01 2019/10/01 APPR: KOMURAKAMI 2019/11/20				SINGLE ROW SMT R/A TYPE REC ASSY GOLD PLATING				
ANGULAR TOL ± 3.0 °								PRODUCT CUSTOMER DRAWING				
4 PLACES ± 0.2								DOCUMENT NUMBER		DOC TYPE	DOC PART	REVISION
3 PLACES ± 0.2								2132260000-SD		PSD	000	E
2 PLACES ± 0.2								MATERIAL NUMBER		CUSTOMER		SHEET NUMBER
1 PLACE ± 0.2				A3-SIZE		GENERAL		5 OF 5				
0 PLACES ± 0.2				SERIES								
DRAFT WHERE APPLICABLE MUST REMAIN WITHIN DIMENSIONS				THIRD ANGLE PROJECTION								