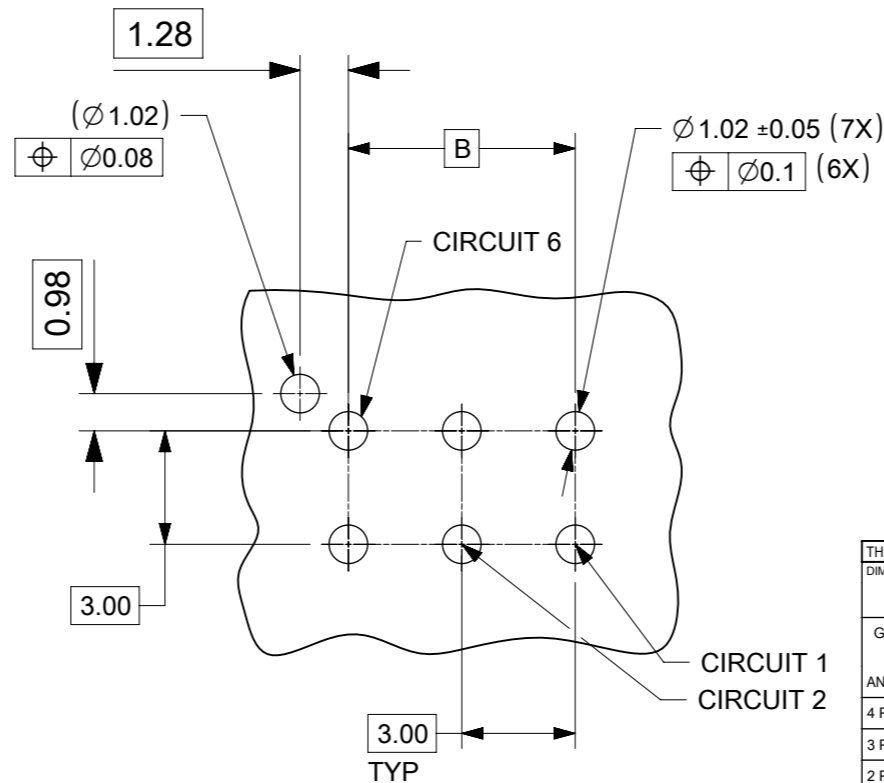
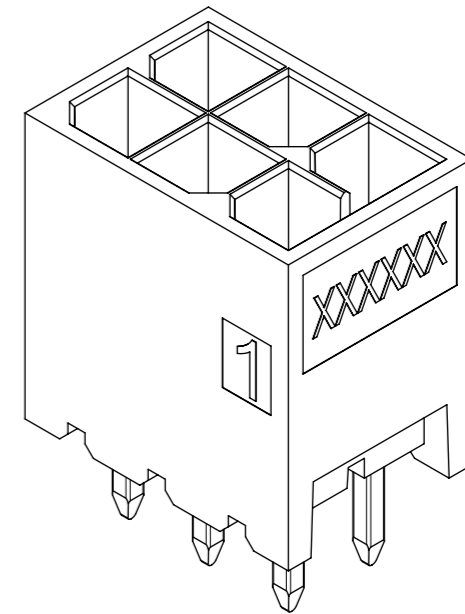
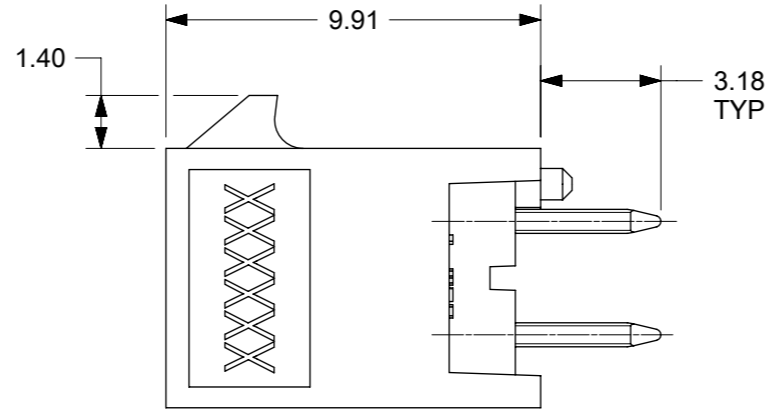
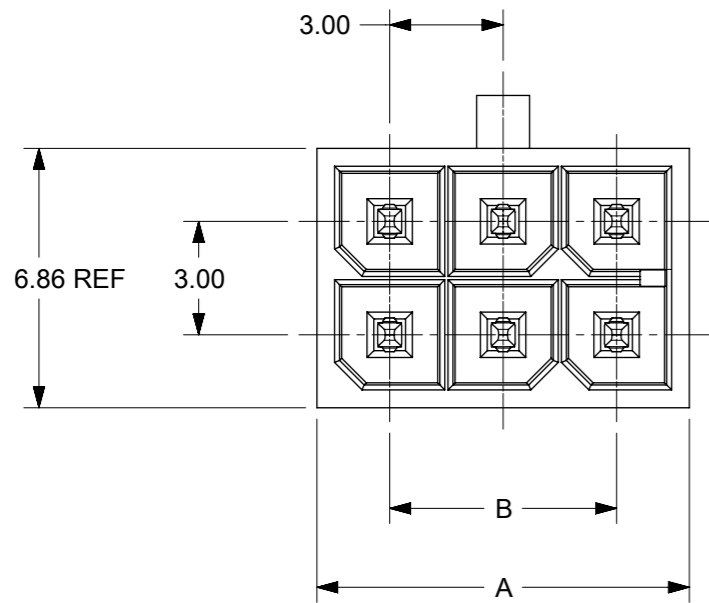
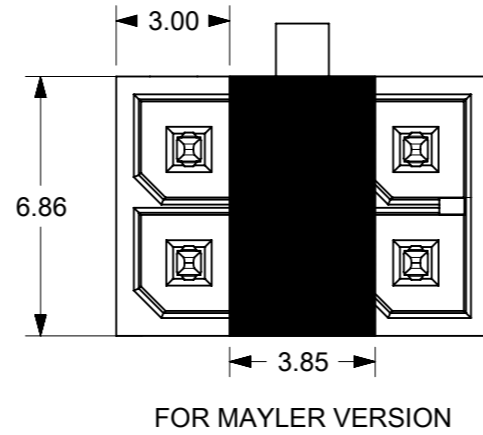
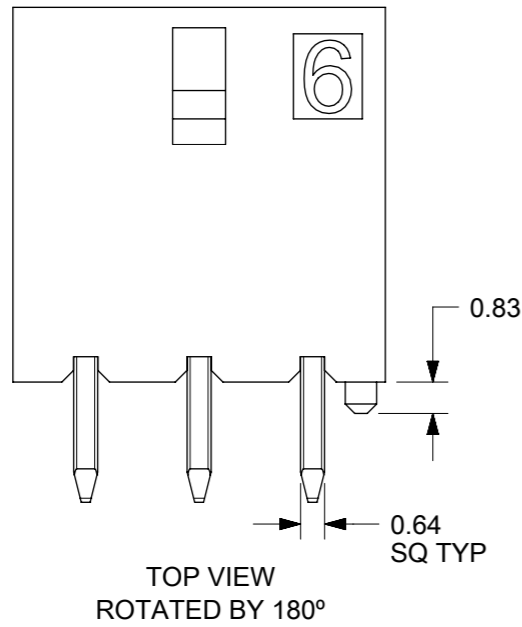


CKT	A	B
2	3.85	NA
4	6.85	3
6	9.85	6
8	12.85	9
10	15.85	12
12	18.85	15
14	21.85	18
16	24.85	21
18	27.85	24
20	30.85	27
22	33.85	30
24	36.85	33



PCB LAYOUT: COMPONENT SIDE  
RECOMENDED PCB THICKNESS: .062/1.57 Max.

NOTES:

- HOSING MATERIAL: GLASS FILLED LIQUID CRYSTAL POLYMER, UL 94V-0, COLOR: BLACK  
TERMINAL MATERIAL: HIGH COPPER ALLOY
- FINISH:  
OPTION 1: TIN OVER NICKEL OVERALL  
OPTION 2: SELECT 15MICROINCH GOLD AND SELECT MATTE TIN OVER NICKEL.  
OPTION 3: SELECT 30MICROINCH GOLD AND SELECT MATTE TIN OVER NICKEL.
- PRODUCT SPECIFICATION : 2064600000-PS
- TRAY PACK : 2068320000-PK  
TAPE REEL PACK : 2068320001-PK
- MATE WITH RECEPTACLE 206461
- THIS PART CONFORMS TO CLASS 'B' REQUIREMENTS OF COSMETIC SPECIFICATION PS-45499-002.

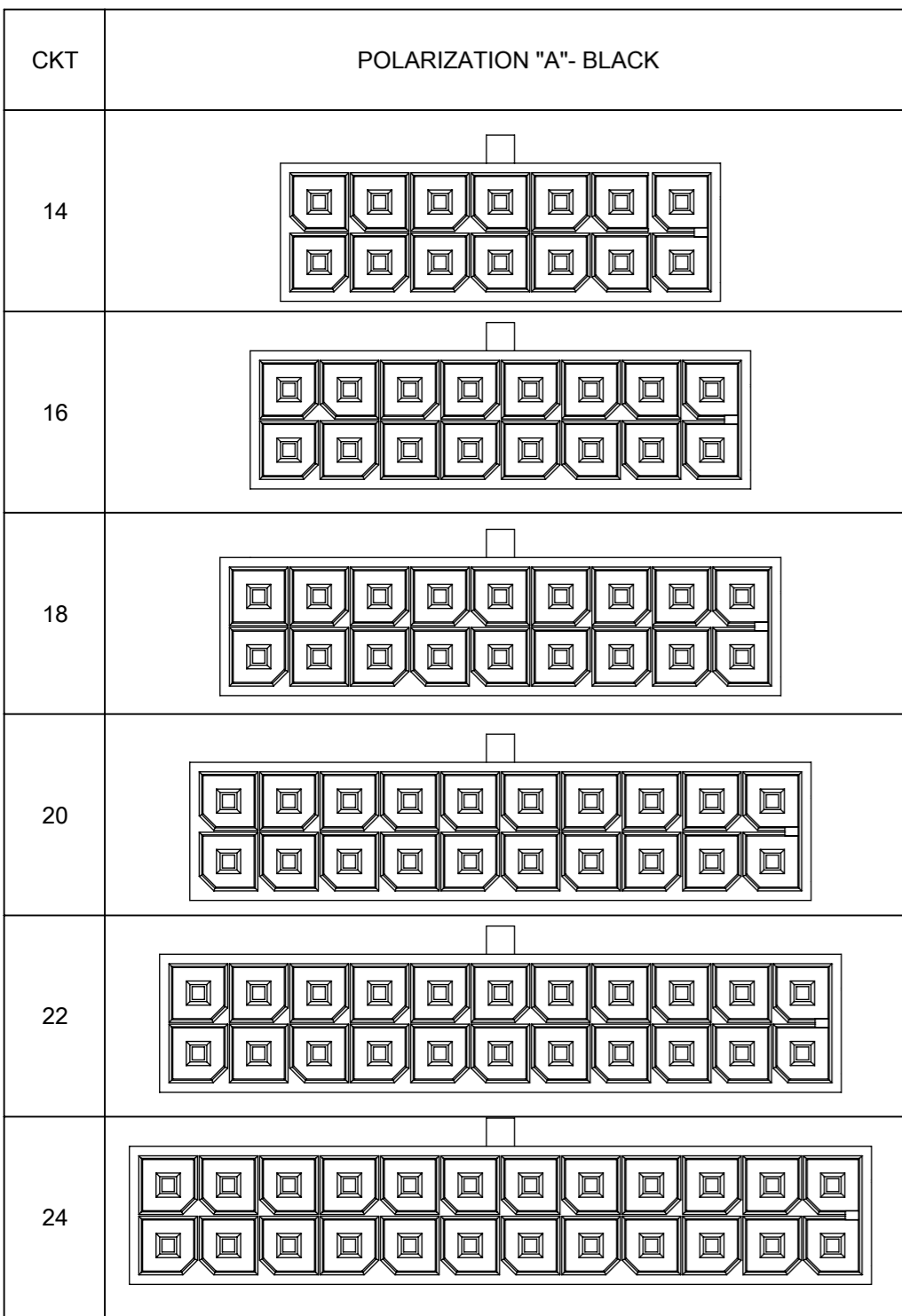
DIMENSION UNITS		SCALE	CURRENT REV DESC:		
mm		5:1	EC NO: 760703		
GENERAL TOLERANCES (UNLESS SPECIFIED)			DRWN: VENKAS5 2023/03/30		
ANGULAR TOL $\pm$ 0.5°			CHK'D: VENKAS5 2023/08/24		
4 PLACES $\pm$			APPR: MRAMAKRISHNA 2023/08/24		
3 PLACES $\pm$			INITIAL REVISION:		
2 PLACES $\pm$ 0.25			DRWN: SMAHAJANSHET 2018/05/08		
1 PLACE $\pm$ 0.36			APPR: NCSR 2019/04/02		
0 PLACES $\pm$			DOCUMENT NUMBER		
DRAFT WHERE APPLICABLE MUST REMAIN WITHIN DIMENSIONS			2068320000-SD		
THIRD ANGLE PROJECTION		DRAWING	SERIES	MATERIAL NUMBER	CUSTOMER
		A3-SIZE	206832	SEE TABLE	GENERAL MARKET
			DOC TYPE	DOC PART	REVISION
			PSD	000	C
			SHEET NUMBER		
			1 OF 4		

TIN PLATING				30 MICROINCH GOLD				15 MICROINCH GOLD				TIN PLATING						
TRAY PACKAGING -2068320000-PK				TRAY PACKAGING -2068320000-PK				TRAY PACKAGING -2068320000-PK				T&R PACKAGING -2068320001-PK						
CKT	VRT HDR ASSY PN	POLARIZATION	COLOR	CKT	VRT HDR ASSY PN	POLARIZATION	COLOR	CKT	VRT HDR ASSY PN	POLARIZATION	COLOR	CKT	VRT HDR ASSY PN	POLARIZATION	COLOR			
F	2068320201	A	BLACK	2	2068320203	A	BLACK	2	2068320202	A	BLACK	C	C	A	BLACK			
	2242460210	B	NATURAL		2242460212	B	NATURAL		2242460211	B	NATURAL							
	2242460220	C	RED		2242460222	C	RED		2242460221	C	RED							
	2242460230	D	BLUE		2242460232	D	BLUE		2242460231	D	BLUE							
	2242460240	E	YELLOW		2242460242	E	YELLOW		2242460241	E	YELLOW							
4	2068320401	A	BLACK	4	2068320403	A	BLACK	4	2068320402	A	BLACK							
	2242460410	B	NATURAL		2242460412	B	NATURAL		2242460411	B	NATURAL							
	2242460420	C	RED		2242460422	C	RED		2242460421	C	RED							
	2242460430	D	BLUE		2242460432	D	BLUE		2242460431	D	BLUE							
	2242460440	E	YELLOW		2242460442	E	YELLOW		2242460441	E	YELLOW							
E	2068320601	A	BLACK	6	2068320603	A	BLACK	6	2068320602	A	BLACK							
	2242460610	B	NATURAL		2242460612	B	NATURAL		2242460611	B	NATURAL							
	2242460620	C	RED		2242460622	C	RED		2242460621	C	RED							
	2242460630	D	BLUE		2242460632	D	BLUE		2242460631	D	BLUE							
	2242460640	E	YELLOW		2242460642	E	YELLOW		2242460641	E	YELLOW							
8	2068320801	A	BLACK	8	2068320803	A	BLACK	8	2068320802	A	BLACK							
	2242460810	B	NATURAL		2242460812	B	NATURAL		2242460811	B	NATURAL							
	2242460820	C	RED		2242460822	C	RED		2242460821	C	RED							
	2242460830	D	BLUE		2242460832	D	BLUE		2242460831	D	BLUE							
	2242460840	E	YELLOW		2242460842	E	YELLOW		2242460841	E	YELLOW							
D	2068321001	A	BLACK	10	2068321003	A	BLACK	10	2068321002	A	BLACK							
	2242461010	B	NATURAL		2242461012	B	NATURAL		2242461011	B	NATURAL							
	2242461020	C	RED		2242461022	C	RED		2242461021	C	RED							
	2242461030	D	BLUE		2242461032	D	BLUE		2242461031	D	BLUE							
	2242461040	E	YELLOW		2242461042	E	YELLOW		2242461041	E	YELLOW							
12	2068321201	A	BLACK	12	2068321203	A	BLACK	12	2068321202	A	BLACK							
	2242461210	B	NATURAL		2242461212	B	NATURAL		2242461211	B	NATURAL							
	2242461220	C	RED		2242461222	C	RED		2242461221	C	RED							
	2242461230	D	BLUE		2242461232	D	BLUE		2242461231	D	BLUE							
	2242461240	E	YELLOW		2242461242	E	YELLOW		2242461241	E	YELLOW							
14	2068321401	A	BLACK	14	2068321403	A	BLACK	14	2068321402	A	BLACK	D	A	BLACK				
16	2068321601	A	BLACK	16	2068321603	A	BLACK	16	2068321602	A	BLACK							
18	2068321801	A	BLACK	18	2068321803	A	BLACK	18	2068321802	A	BLACK							
20	2068322001	A	BLACK	20	2068322003	A	BLACK	20	2068322002	A	BLACK							
22	2068322201	A	BLACK	22	2068322203	A	BLACK	22	2068322202	A	BLACK							
24	206832-2401	A	BLACK	24	206832-2403	A	BLACK	24	206832-2402	A	BLACK							
15 MICROINCH GOLD				T&R PACKAGING -2068320001-PK				15 MICROINCH GOLD							T&R PACKAGING -2068320001-PK			
CKT	VRT HDR ASSY PN	POLARIZATION	COLOR	CKT	VRT HDR ASSY PN	POLARIZATION	COLOR	CKT	VRT HDR ASSY PN	POLARIZATION	COLOR				CKT	VRT HDR ASSY PN	POLARIZATION	COLOR
2	206832-0221			2	206832-0222			2	206832-0222						2	206832-0222		
4	206832-0421			4	206832-0422			4	206832-0422						4	206832-0422		
6	206832-0621			6	206832-0622			6	206832-0622						6	206832-0622		
8	206832-0821			8	206832-0822			8	206832-0822						8	206832-0822		
10	206832-1021			10	206832-1022			10	206832-1022			10	206832-1022					
12	206832-1221			12	206832-1222			12	206832-1222			12	206832-1222					
14	206832-1421			14	206832-1422			14	206832-1422			14	206832-1422					
16	206832-1621			16	206832-1622			16	206832-1622			16	206832-1622					
18	206832-1821			18	206832-1822			18	206832-1822			18	206832-1822					
20	206832-2021			20	206832-2022			20	206832-2022			20	206832-2022					
22	206832-2221			22	206832-2222			22	206832-2222			22	206832-2222					
24	206832-2421			24	206832-2422			24	206832-2422			24	206832-2422					
30 MICROINCH GOLD				T&R PACKAGING -2068320001-PK				30 MICROINCH GOLD				T&R PACKAGING -2068320001-PK						
CKT	VRT HDR ASSY PN	POLARIZATION	COLOR	CKT	VRT HDR ASSY PN	POLARIZATION	COLOR	CKT	VRT HDR ASSY PN	POLARIZATION	COLOR	CKT	VRT HDR ASSY PN	POLARIZATION	COLOR			
2	206832-0223			2	206832-0223			2	206832-0223			2	206832-0223					
4	206832-0423			4	206832-0423			4	206832-0423			4	206832-0423					
6	206832-0623			6	206832-0623			6	206832-0623			6	206832-0623					
8	206832-0823			8	206832-0823			8	206832-0823			8	206832-0823					
10	206832-1023			10	206832-1023			10	206832-1023			10	206832-1023					
12	206832-1223			12	206832-1223			12	206832-1223			12	206832-1223					
14	206832-1423			14	206832-1423			14	206832-1423			14	206832-1423					
16	206832-1623			16	206832-1623			16	206832-1623			16	206832-1623					
18	206832-1823			18	206832-1823			18	206832-1823			18	206832-1823					
20	206832-2023			20	206832-2023			20	206832-2023			20	206832-2023					
22	206832-2223			22	206832-2223			22	206832-2223			22	206832-2223					
24	206832-2423			24	206832-2423			24	206832-2423			24	206832-2423					

DOCUMENT STATUS				P1	RELEASE DATE	2023/03/06	08:44:47
-----------------	--	--	--	----	--------------	------------	----------

THIS DRAWING CONTAINS INFORMATION THAT IS PROPRIETARY TO MOLEX ELECTRONIC TECHNOLOGIES, LLC AND SHOULD NOT BE USED WITHOUT WRITTEN PERMISSION		CURRENT REV DESC:		<b>molex</b>	
DIMENSION UNITS	SCALE	EC NO: 760703			
mm	1:1	DRWN: VENKASS 2023/03/30		V HDR ASSY BANDO MICRO-FIT + SOLUTION	
GENERAL TOLERANCES (UNLESS SPECIFIED)		CHK'D: VENKASS 2023/08/24			
ANGULAR TOL	± 0.5°	APPR: MRAMAKRISHNA 2023/08/24		PRODUCT CUSTOMER DRAWING	
4 PLACES	±	INITIAL REVISION:		DOCUMENT NUMBER	
3 PLACES	±	DRWN: SMAHAJANSHET 2018/05/08		2068320000-SD	
2 PLACES	± 0.25	APPR: NCSR 2019/04/02		DOC TYPE	DOC PART
1 PLACE	± 0.36	THIRD ANGLE PROJECTION		PSD	000
0 PLACES	±	DRAWING		REVISION	
DRAFT WHERE APPLICABLE MUST REMAIN WITHIN DIMENSIONS		A3-SIZE	SERIES	SHEET NUMBER	
		206832	206832	2 OF 4	





FUNCTIONAL SYMBOLS	THIS DRAWING CONTAINS INFORMATION THAT IS PROPRIETARY TO MOLEX ELECTRONIC TECHNOLOGIES, LLC AND SHOULD NOT BE USED WITHOUT WRITTEN PERMISSION					
	$\nabla_A = 0$ $\nabla_F = 0$ $\nabla_V = 0$	DIMENSION UNITS: <b>mm</b> SCALE: <b>1:1</b>				
DIVISIONAL SYMBOLS	GENERAL TOLERANCES (UNLESS SPECIFIED)		PRODUCT CUSTOMER DRAWING			
	ANGULAR TOL $\pm 0.5^\circ$		DOCUMENT NUMBER: 2068320000-SD			
	4 PLACES $\pm$		DOC TYPE: PSD			
	3 PLACES $\pm$		DOC PART: 000			
	2 PLACES $\pm 0.13$		REVISION: C			
1 PLACE $\pm 0.25$		INITIAL REVISION:		MATERIAL NUMBER: 206832		
0 PLACES $\pm$		DRWN: SMAHAJANSHET		CUSTOMER: GENERAL MARKET		
DRAFT WHERE APPLICABLE MUST REMAIN WITHIN DIMENSIONS		THIRD ANGLE PROJECTION		SHEET NUMBER: 4 OF 4		