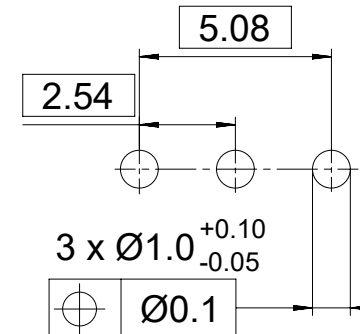
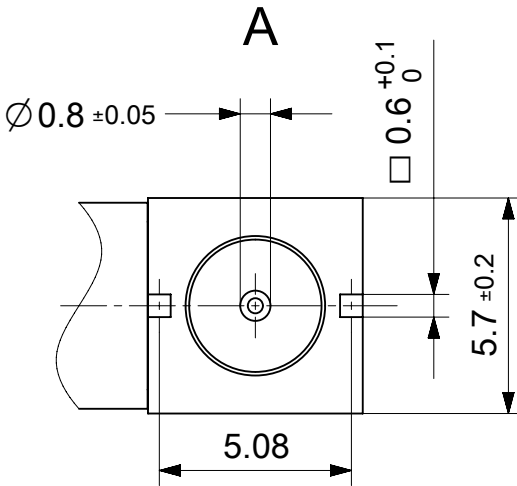
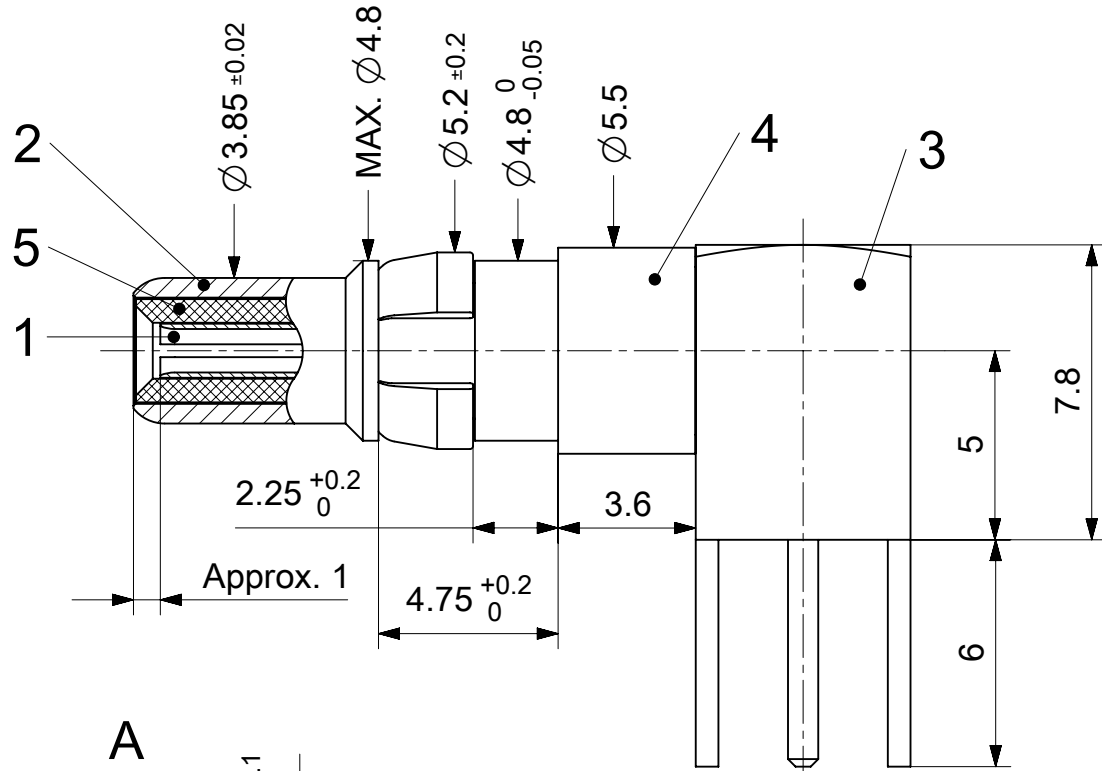


2:1

PCB-Layout



| | | |
|-----------------|-----------------|--------------------------------------|
| 1731120823 | FME008P101 | 101 |
| 1727040129 | FME008P102 | 102 |
| 1731140044 | FME008P128 | 128 |
| 1731121072 | FME008P202 | 202 |
| Material Number | FCT Part Number | Material + Finish See extra sheet |



RoHS compliant
by exemption

| | | | | | | | |
|---|---------------------------------------|------------------------|---|--|-----------------|----------------|--------------|
| UNLESS OTHERWISE SPECIFIED DIMENSIONS FOR REFERENCE ONLY | | | | REPLACEMENT FOR DOCUMENT NUMBER: FME008P | | | |
| THIS DRAWING CONTAINS INFORMATION THAT IS PROPRIETARY TO MOLEX ELECTRONIC TECHNOLOGIES, LLC AND SHOULD NOT BE USED WITHOUT WRITTEN PERMISSION | | | | | | | |
| FUNCTIONAL SYMBOLS | DIMENSION UNITS | SCALE | CURRENT REV DESC: | | | | |
| $\frac{F}{A} = 0$ | mm | 5:1 | EC NO: 710158 DRWN: VLOKESHA 2021/04/16 CHK'D: FVETTER 2022/06/13 APPR: FVETTER 2022/06/13 INITIAL REVISION: DRWN: VLOKESHA 2021/04/16 APPR: FVETTER 2022/06/13 | | | | |
| $\frac{F}{E} = 0$ | GENERAL TOLERANCES (UNLESS SPECIFIED) | | | | | | |
| $\frac{F}{P} = 0$ | ANGULAR TOL ± ° | | | | | | |
| DIVISIONAL SYMBOLS | 4 PLACES | ± | | | | | |
| | 3 PLACES | ± | | | | | |
| | 2 PLACES | ± | DOCUMENT NUMBER: 1731120823 DOC TYPE: PSD DOC PART: 000 REVISION: A | | | | |
| | 1 PLACE | ± | | | | | |
| | 0 PLACES | ± | | | | | |
| DRAFT WHERE APPLICABLE MUST REMAIN WITHIN DIMENSIONS | | FIRST ANGLE PROJECTION | DRAWING | SERIES | MATERIAL NUMBER | CUSTOMER | SHEET NUMBER |
| | | | A4-SIZE | 173112 | SEE TABLE | GENERAL MARKET | 1 OF 1 |