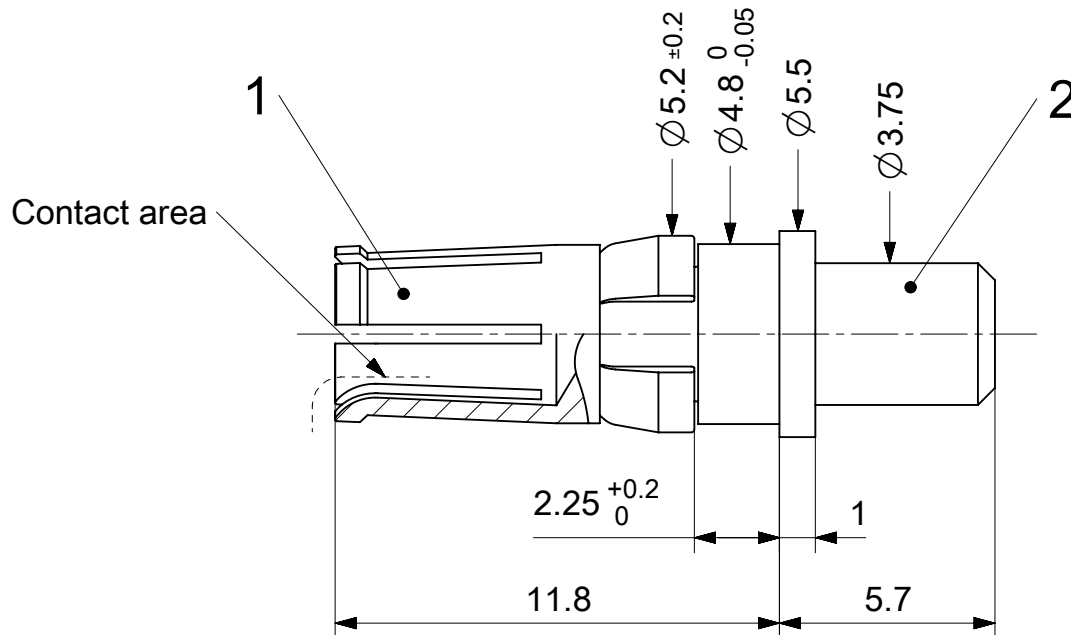


2:1



RoHS compliant  
by exemption

1731120086	FMP016S104	104
1731120607	FMP016S105	105
1731120159	FMP016S203	203
Material Number	FCT Part Number	Material + Finish See extra sheet

UNLESS OTHERWISE SPECIFIED DIMENSIONS FOR REFERENCE ONLY      REPLACEMENT FOR DOCUMENT NUMBER: FMP016S

FUNCTIONAL SYMBOLS $\frac{F}{A} = 0$ $\frac{F}{E} = 0$ $\frac{F}{P} = 0$ DIVISIONAL SYMBOLS	THIS DRAWING CONTAINS INFORMATION THAT IS PROPRIETARY TO MOLEX ELECTRONIC TECHNOLOGIES, LLC AND SHOULD NOT BE USED WITHOUT WRITTEN PERMISSION	CURRENT REV DESC:		<h1 style="text-align: center;">molex</h1> <p style="text-align: center;">FCT 40A HIGH POWER CONTACT FOR D-SUB</p> <p style="text-align: center;">PRODUCT CUSTOMER DRAWING</p>	
	DIMENSION UNITS: <b>mm</b> SCALE: <b>5:1</b>	EC NO: 686935 DRWN: FVETTER      2021/11/29 CHK'D: MTEUBEL      2021/11/30 APPR: MTEUBEL      2021/11/30			
	GENERAL TOLERANCES (UNLESS SPECIFIED) ANGULAR TOL ± °	INITIAL REVISION: DRWN: VLOKESHA      2021/04/01 APPR: MTEUBEL      2021/11/25			DOCUMENT NUMBER: <b>1731120086</b>
	4 PLACES ± 3 PLACES ± 2 PLACES ± 1 PLACE ± 0 PLACES ±	FIRST ANGLE PROJECTION			DOC TYPE: PSD      DOC PART: 000      REVISION: A1
DRAFT WHERE APPLICABLE MUST REMAIN WITHIN DIMENSIONS		DRAWING: A4-SIZE	SERIES: 173112	MATERIAL NUMBER: SEE TABLE      CUSTOMER: GENERAL MARKET      SHEET NUMBER: 1 OF 1	

DOCUMENT STATUS	P1	RELEASE DATE	2021/11/30	09:45:11
-----------------	----	--------------	------------	----------