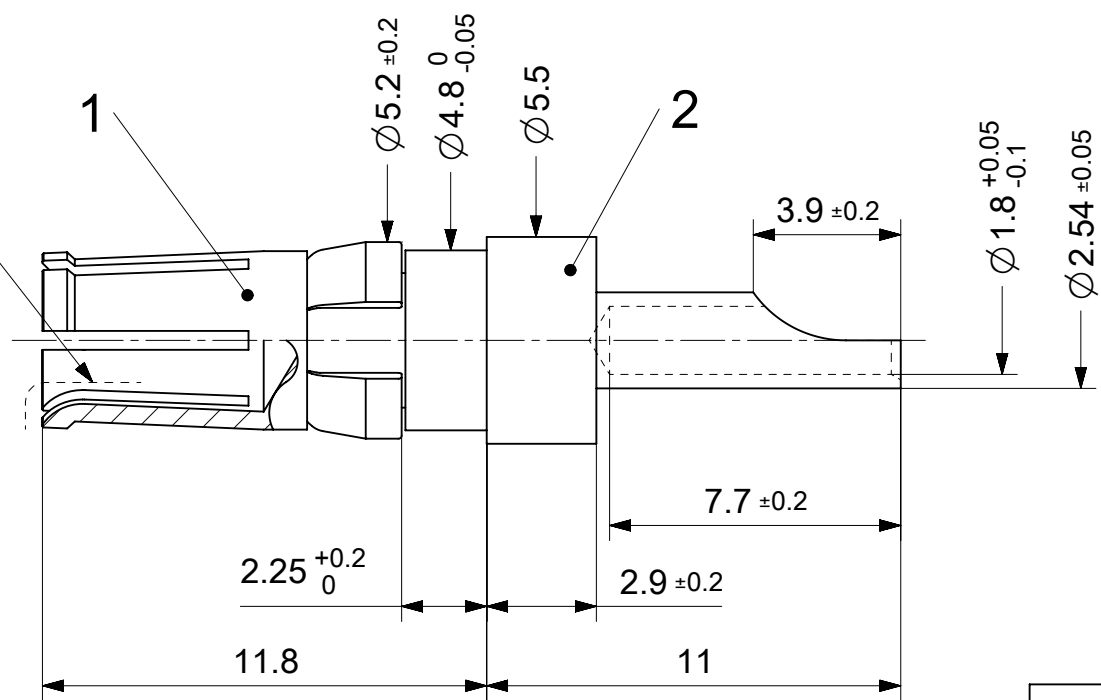


2:1

Contact area



RoHS compliant
by exemption

1727040154	FMP005S103	103
1731120308	FMP005S105	105
1731120039	FMP005S203	203
Material Number	FCT Part Number	Material + Finish See extra sheet

UNLESS OTHERWISE SPECIFIED DIMENSIONS FOR REFERENCE ONLY				REPLACEMENT FOR DOCUMENT NUMBER: FMP005S			
THIS DRAWING CONTAINS INFORMATION THAT IS PROPRIETARY TO MOLEX ELECTRONIC TECHNOLOGIES, LLC AND SHOULD NOT BE USED WITHOUT WRITTEN PERMISSION							
FUNCTIONAL SYMBOLS		DIMENSION UNITS		SCALE		CURRENT REV DESC:	
FA = 0		mm		5:1		EC NO: 686935	
FE = 0		GENERAL TOLERANCES (UNLESS SPECIFIED)		4 PLACES ±		DRWN: FVETTER 2021/11/29	
FP = 0		ANGULAR TOL ± °		3 PLACES ±		CHK'D: MTEUBEL 2021/11/30	
DIVISIONAL SYMBOLS		4 PLACES ±		2 PLACES ±		APPR: MTEUBEL 2021/11/30	
		3 PLACES ±		1 PLACE ±		INITIAL REVISION:	
		2 PLACES ±		0 PLACES ±		DRWN: VLOKESHA 2021/03/30	
		1 PLACE ±		0 PLACES ±		APPR: MTEUBEL 2021/11/25	
		0 PLACES ±		DRAFT WHERE APPLICABLE MUST REMAIN WITHIN DIMENSIONS		FIRST ANGLE PROJECTION	
						DRAWING	
						SERIES	
						MATERIAL NUMBER	
						CUSTOMER	
						SHEET NUMBER	
						172704	
						SEE TABLE	
						GENERAL MARKET	
						1 OF 1	
						1727040154	
						PSD	
						000	
						A1	

DOCUMENT STATUS	P1	RELEASE DATE	2021/11/30	09:44:56
-----------------	----	--------------	------------	----------