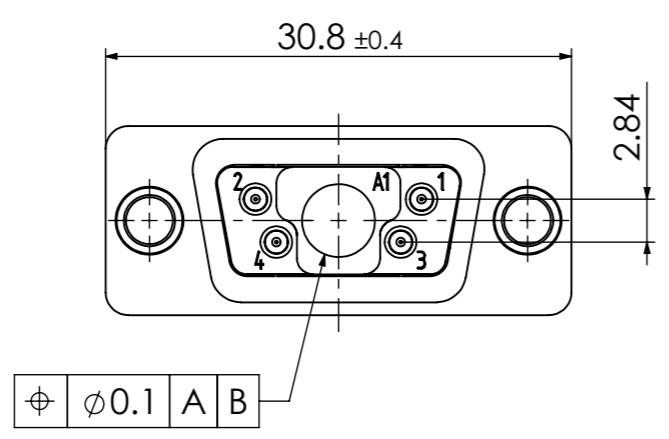
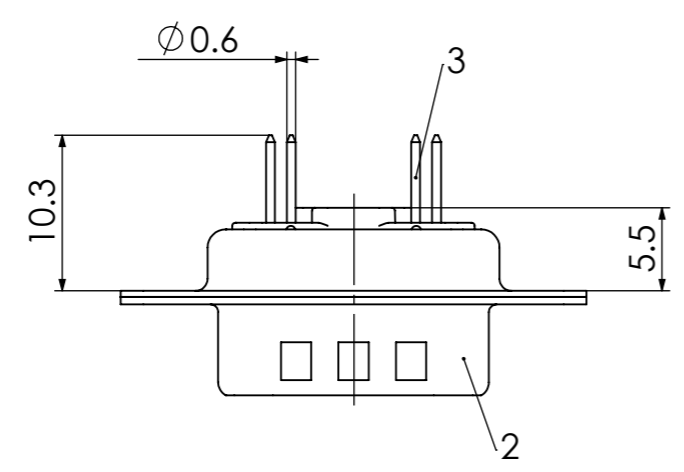
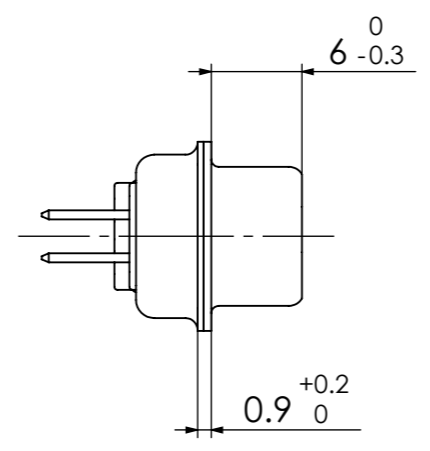
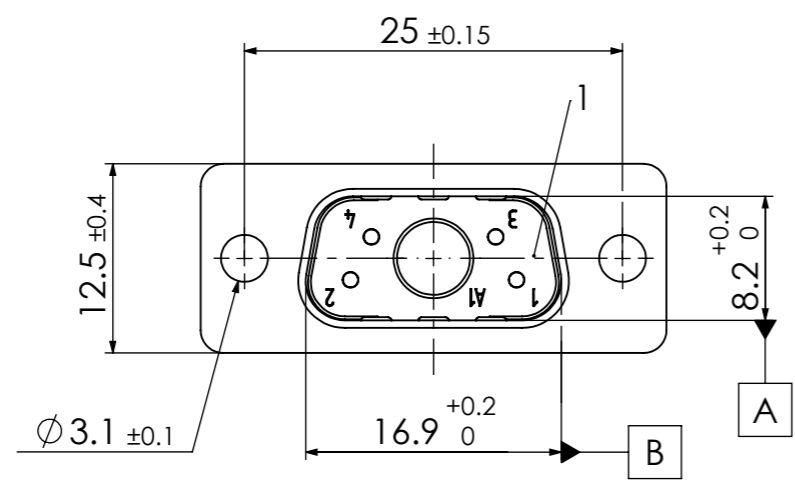
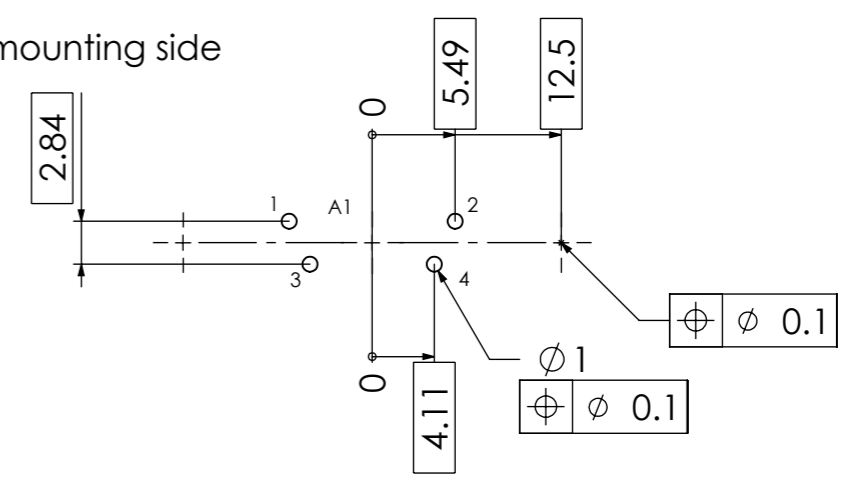


RoHS compliant
by exemption



PCB hole pattern, mounting side



COMMENT:
ALL RIGHTS ARE RESERVED BY US FOR THIS DRAWING. WITHOUT OUR PRIOR CONSENT,
IT MAY NEITHER BE DUPLICATED NOR MADE AVAILABLE TO A THIRD PARTY.
AND IT ALSO MAY NOT BE IMPROPERLY USED BY THE RECEIVER, OR A THIRD PARTY.

3	4	Signal contact	P1 / Brass	0.8µm Au
2	1	Shell	Steel	tin plated
1	1	Insulator	PBT (-55°C to +130°C) acc. UL94V-0	green
No.	St.	Part	Type Description/Material	Surface plating/Colour/Class

FUNCTIONAL SYMBOLS					THIS DRAWING CONTAINS INFORMATION THAT IS PROPRIETARY TO MOLEX ELECTRONIC TECHNOLOGIES, LLC AND SHOULD NOT BE USED WITHOUT WRITTEN PERMISSION							
▽ = 0	mm	SCALE	2:1		MEASUREMENTS WITHOUT TOLERANCE ACC. TO ISO 2768-mK		molex					
▽ = 0										CURRENT REVISION		
▽ = 0							DRWN: DRAWN BY	mteubel	09-01-2024	FCT D-Sub Mixed-Layout Connector		
							APPR: APPR BY	msteinbrueck	12-01-2024			
							INITIAL REVISION		PRODUCT CUSTOMER DRAWING			
							DRWN: DRAWN BY	sschref	13-12-2004	MATERIAL NUMBER	REVISION	
							APPR: APPR BY	aschiekofer	18-01-2005	1731071298	3	
							REPLACEMENT FOR:	FRIST ANGLE PROJECTION	DRAWING	DOCUMENT NUMBER	CUSTOMER	SHEET NUMBER
							1731071298_Rev.A1		A3-SIZE	FM5W1P1-K120	GENERAL MARKET	1 OF 1