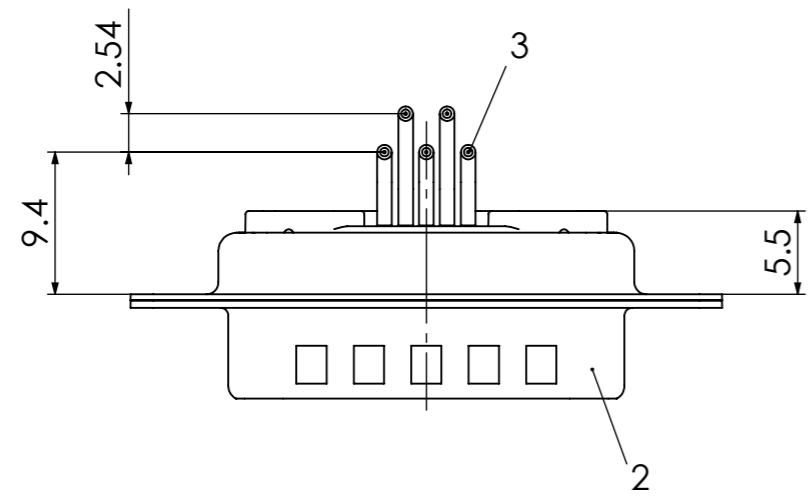
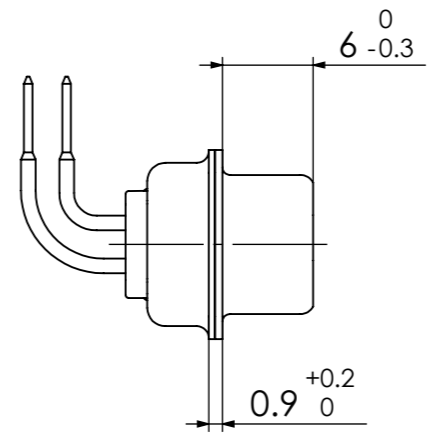
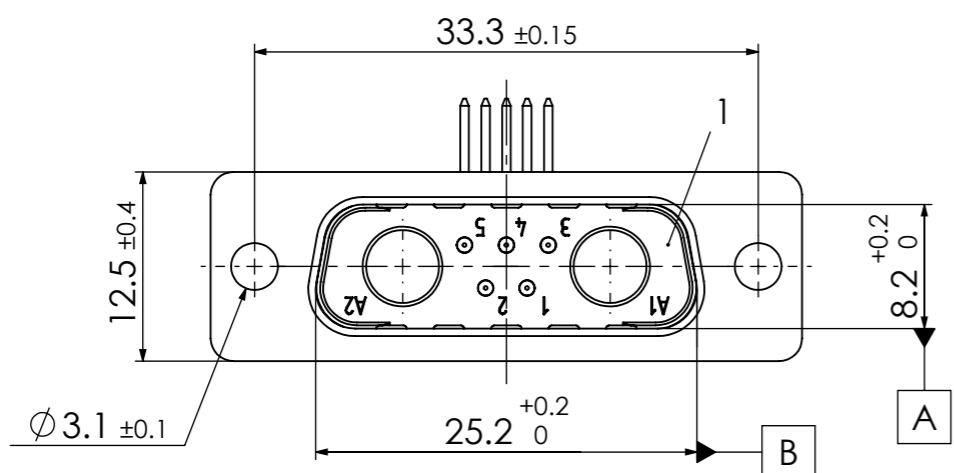
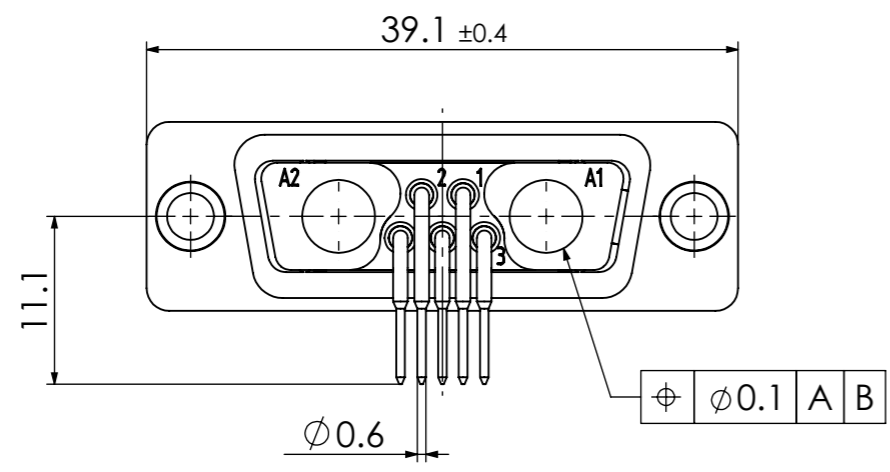
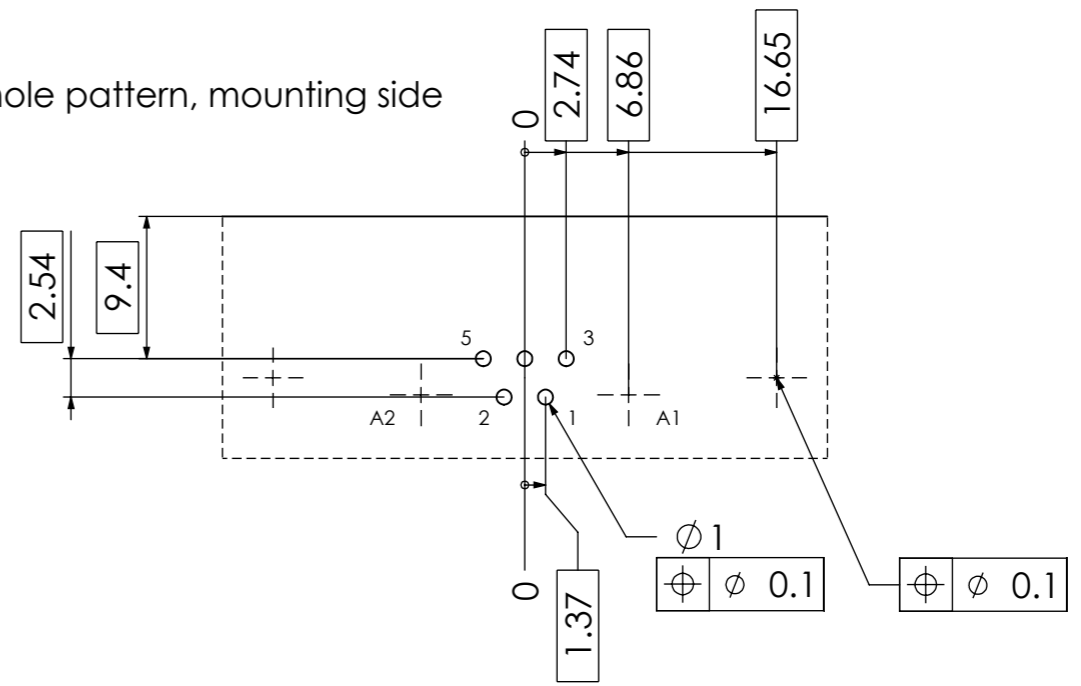


RoHS compliant
by exemption



PCB hole pattern, mounting side



COMMENT: ALL RIGHTS ARE RESERVED BY US FOR THIS DRAWING. WITHOUT OUR PRIOR CONSENT, IT MAY NEITHER BE DUPLICATED NOR MADE AVAILABLE TO A THIRD PARTY. AND IT ALSO MAY NOT BE IMPROPERLY USED BY THE RECEIVER, OR A THIRD PARTY.

3	5	Signal contact	P5 / Brass	AuroPur
2	1	Shell	Steel	tin plated
1	1	Insulator	PBT (-55°C to +130°C) acc. UL94V-0	green
No.	St.	Part	Type Description/Material	Surface plating/Colour/Class

FUNCTIONAL SYMBOLS ▽ = 0 ▽ = 0 ▽ = 0					THIS DRAWING CONTAINS INFORMATION THAT IS PROPRIETARY TO MOLEX ELECTRONIC TECHNOLOGIES, LLC AND SHOULD NOT BE USED WITHOUT WRITTEN PERMISSION												
DIMENSION UNITS		SCALE		MEASUREMENTS WITHOUT TOLERANCE ACC. TO ISO 2768-m					CURRENT REVISION								
mm		2:1							DRWN: DRAWN BY msteinbrueck 17-08-2023 APPR: APPR BY fvetter 22-08-2023								
3		24410							INITIAL REVISION DRWN: DRAWN BY tschneider01 18-10-2018 APPR: APPR BY mteubel 19-10-2018								
2		24130							PRODUCT CUSTOMER DRAWING MATERIAL NUMBER 1731071283								
1									REVISION 3								
REV.		CH.-NO.		REPLACEMENT FOR:					FRIST ANGLE PROJECTION		DRAWING		DOCUMENT NUMBER		CUSTOMER		SHEET NUMBER
				1731071283_Rev. A1							A3-SIZE		FM7W2P5A-K120		GENERAL MARKET		1 OF 1