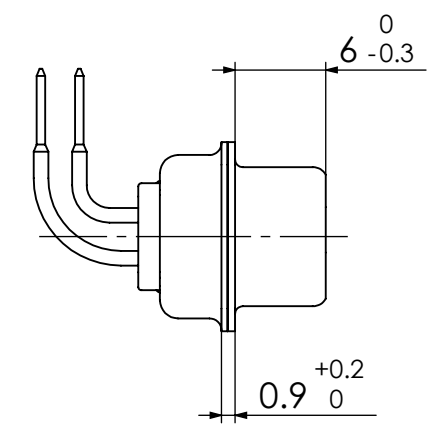
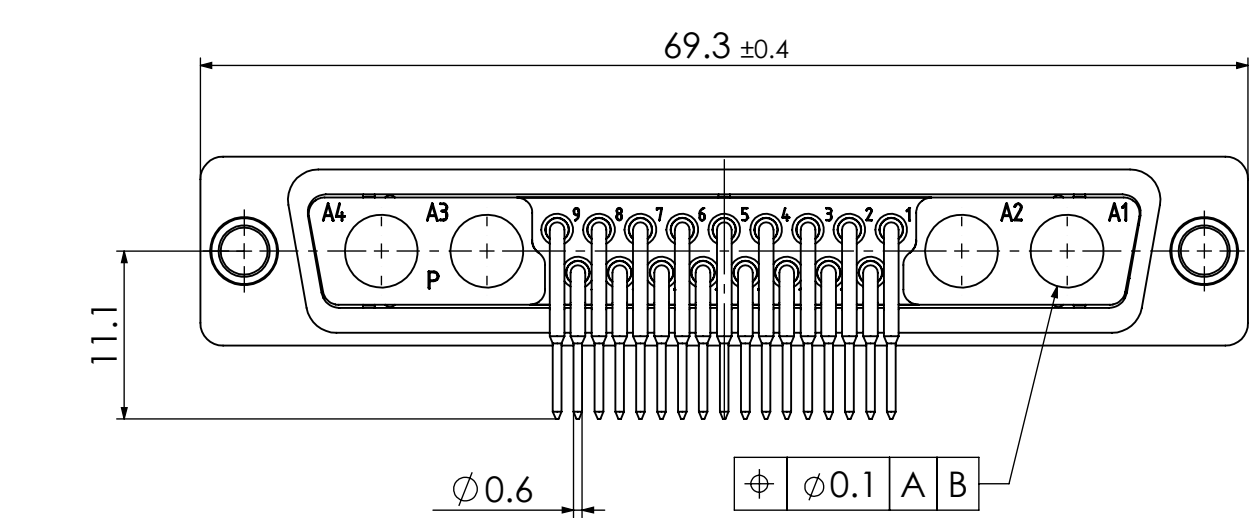
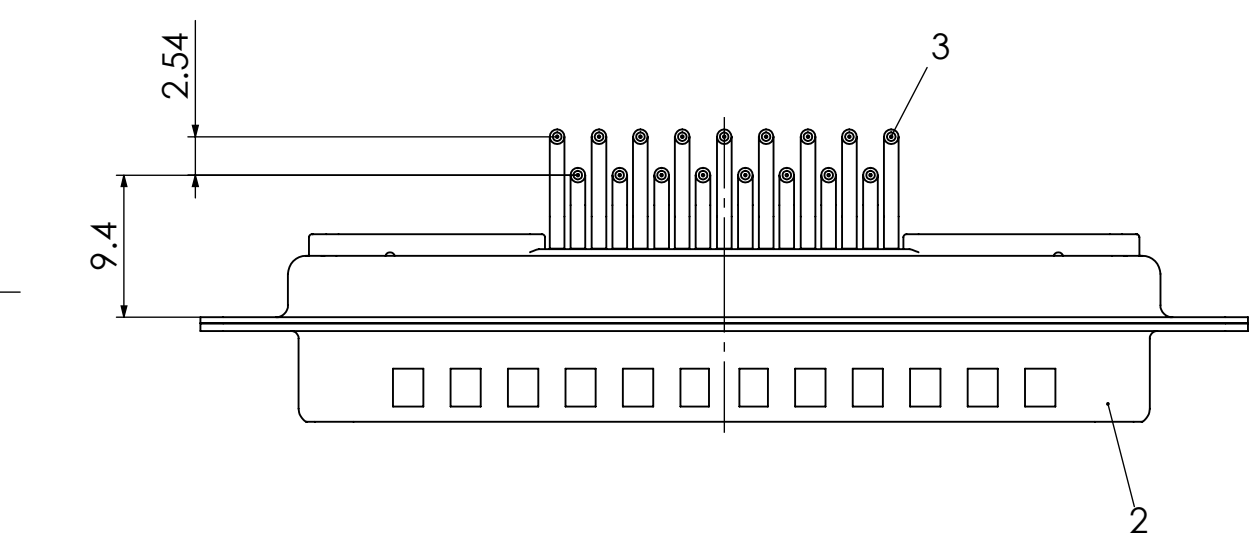
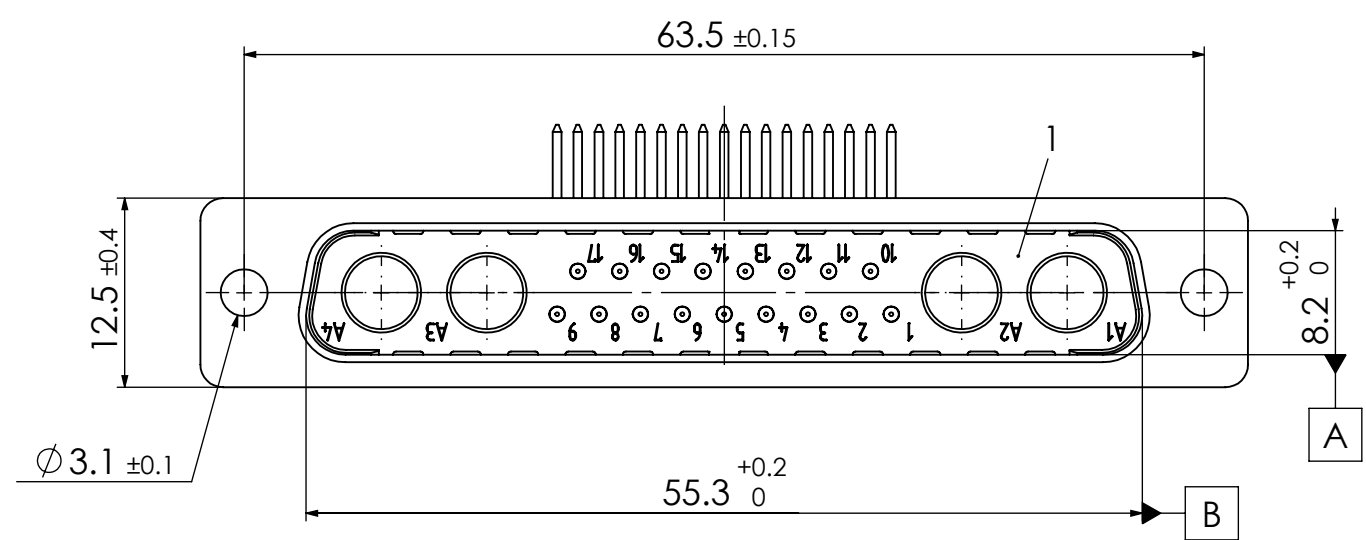
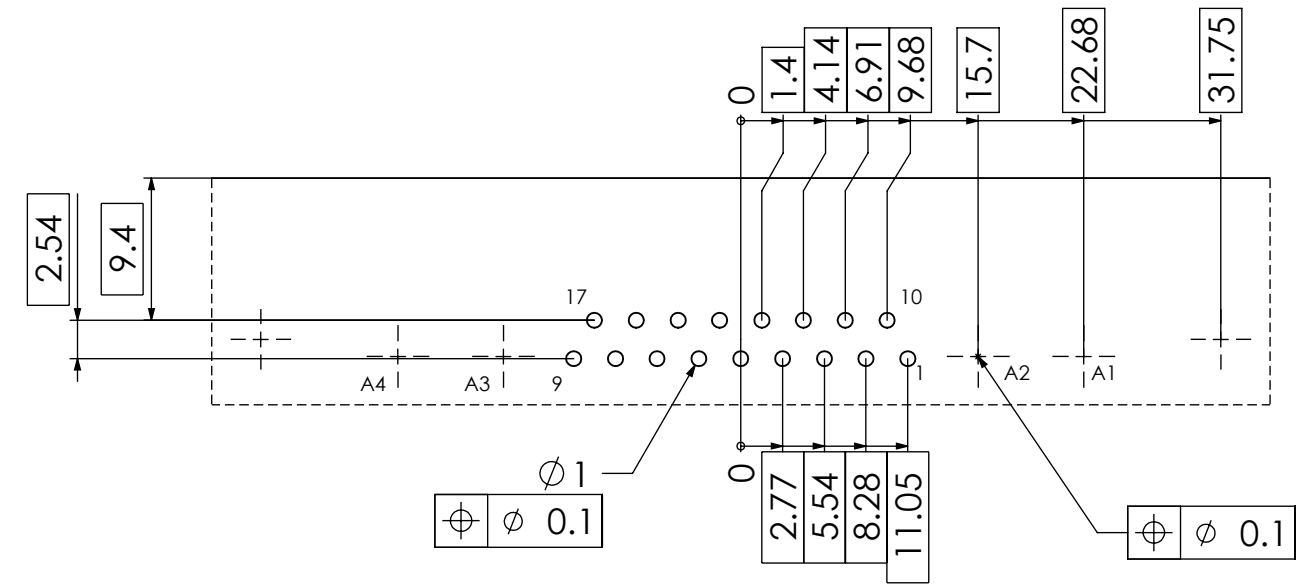


RoHS compliant  
by exemption



PCB hole pattern, mounting side



No.	St.	Part	Type	Description/Material	Surface plating/Colour/Class
3	17	Signal contact	P5 / Brass		0.8µm Au
2	1	Shell	Steel		tin plated
1	1	Insulator	PBT (-55°C to +130°C) acc. UL94V-0		green

FUNCTIONAL SYMBOLS						THIS DRAWING CONTAINS INFORMATION THAT IS PROPRIETARY TO MOLEX ELECTRONIC TECHNOLOGIES, LLC AND SHOULD NOT BE USED WITHOUT WRITTEN PERMISSION					
▽ = 0	▽ = 0	▽ = 0	DIMENSION UNITS	SCALE	MEASUREMENTS WITHOUT TOLERANCE ACC. TO	<div style="text-align: center;"><b>molex</b></div> <p>FCT D-Sub Mixed-Layout Connector</p> <p>PRODUCT CUSTOMER DRAWING</p>					
			mm	2:1	ISO 2768-m						
					CURRENT REVISION						
					DRWN: DRAWN BY msteinbrueck 17-11-2022 APPR: APPR BY fvetter 12-04-2023						
					INITIAL REVISION	MATERIAL NUMBER					
					DRWN: DRAWN BY ssschref 24-08-2005 APPR: APPR BY ADenzinger 24-08-2005	1731070604					
			REVISION	CH.-NO.		DOCUMENT NUMBER					
						FM21WA4P5-K120					
			REPLACEMENT FOR:	FRIST ANGLE PROJECTION	DRAWING	CUSTOMER					
					A3-SIZE	GENERAL MARKET					
						SHEET NUMBER					
						1 OF 1					

COMMENT: ALL RIGHTS ARE RESERVED BY US FOR THIS DRAWING. WITHOUT OUR PRIOR CONSENT, IT MAY NEITHER BE DUBLICATED NOR MADE AVAILABLE TO A THIRD PARTY. AND IT ALSO MAY NOT BE IMPROPERLY USED BY THE RECEIVER, OR A THIRD PARTY.