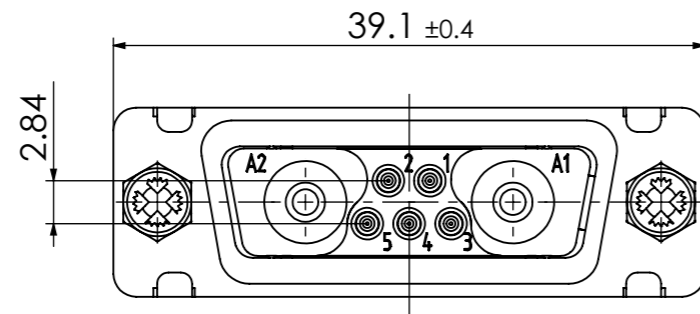
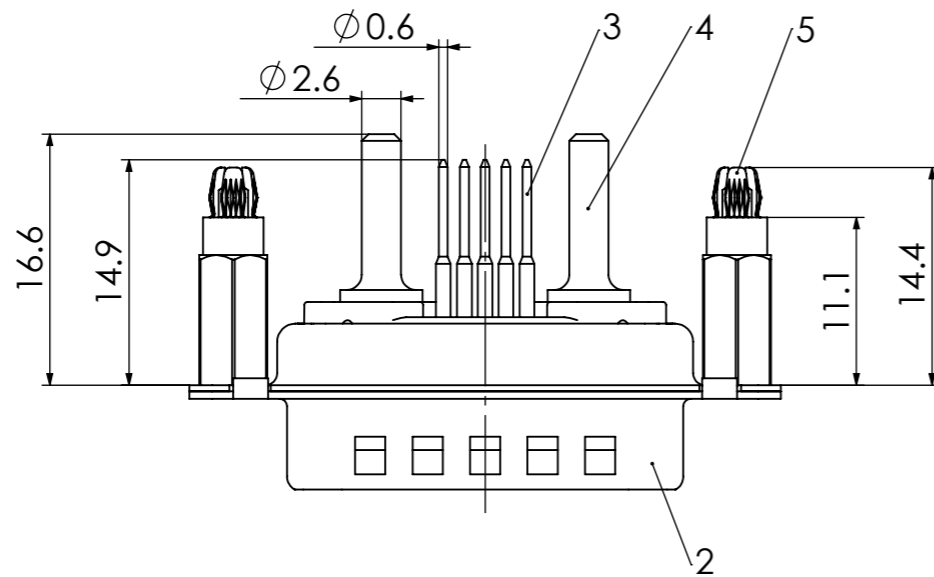
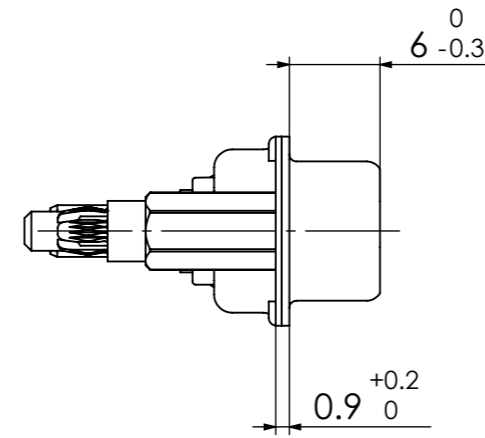
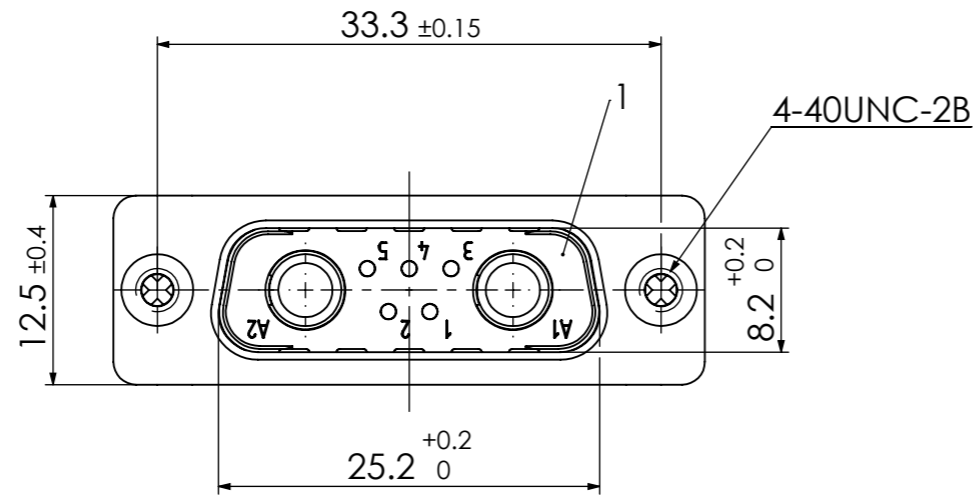
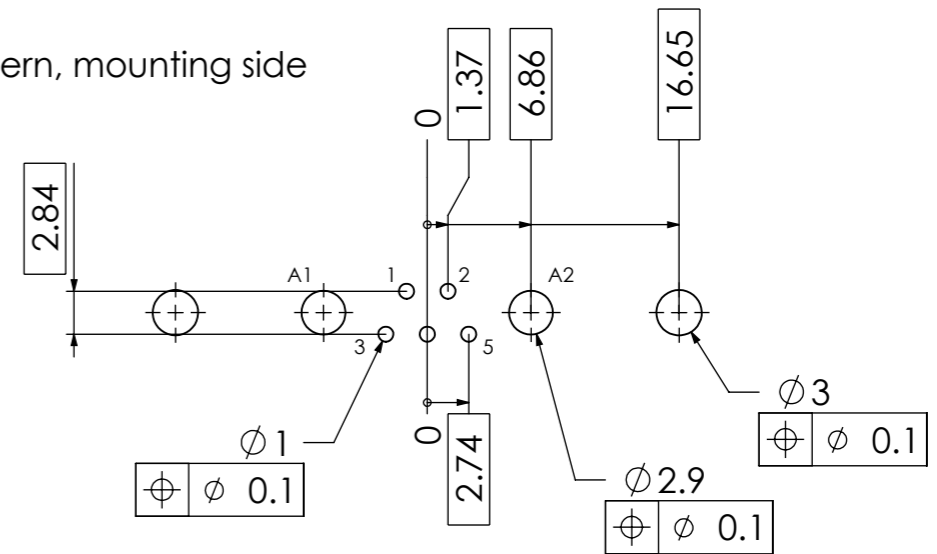


RoHS compliant  
by exemption



PCB hole pattern, mounting side



No.	St.	Part	Type Description/Material	Surface plating/Colour/Class
5	2	Snap-in bolt	PCB 1.6mm / Brass	tin plated
4	2	High power contact	FMP116P104	20A
3	5	Signal contact	P26 / Brass	0.8µm Au
2	1	Shell	Steel	tin plated
1	1	Insulator	PBT (-55°C to +130°C) acc. UL94V-0	green

FUNCTIONAL SYMBOLS					THIS DRAWING CONTAINS INFORMATION THAT IS PROPRIETARY TO MOLEX ELECTRONIC TECHNOLOGIES, LLC AND SHOULD NOT BE USED WITHOUT WRITTEN PERMISSION				
▽ = 0	mm	SCALE	2:1	MEASUREMENTS WITHOUT TOLERANCE ACC. TO	<b>molex</b>				
▽ = 0				ISO 2768-m					
▽ = 0				CURRENT REVISION	FCT D-Sub Mixed-Layout Connector				
				DRWN: DRAWN BY msteinbrueck 05-09-2023					
				APPR: APPR BY mteubel 15-09-2023	PRODUCT CUSTOMER DRAWING				
				INITIAL REVISION	MATERIAL NUMBER				
				DRWN: DRAWN BY sschref 02-07-2007	1731070371				
				APPR: APPR BY skusber 02-07-2007	REVISION				
				REPLACEMENT FOR: 1731070371_Rev. A1	2				
				FRIST ANGLE PROJECTION	DOCUMENT NUMBER				
				DRAWING A3-SIZE	FM7W2P26-3456				
					CUSTOMER				
					GENERAL MARKET				
					SHEET NUMBER				
					1 OF 1				

COMMENT: ALL RIGHTS ARE RESERVED BY US FOR THIS DRAWING. WITHOUT OUR PRIOR CONSENT, IT MAY NEITHER BE DUPLICATED NOR MADE AVAILABLE TO A THIRD PARTY. AND IT ALSO MAY NOT BE IMPROPERLY USED BY THE RECEIVER, OR A THIRD PARTY.