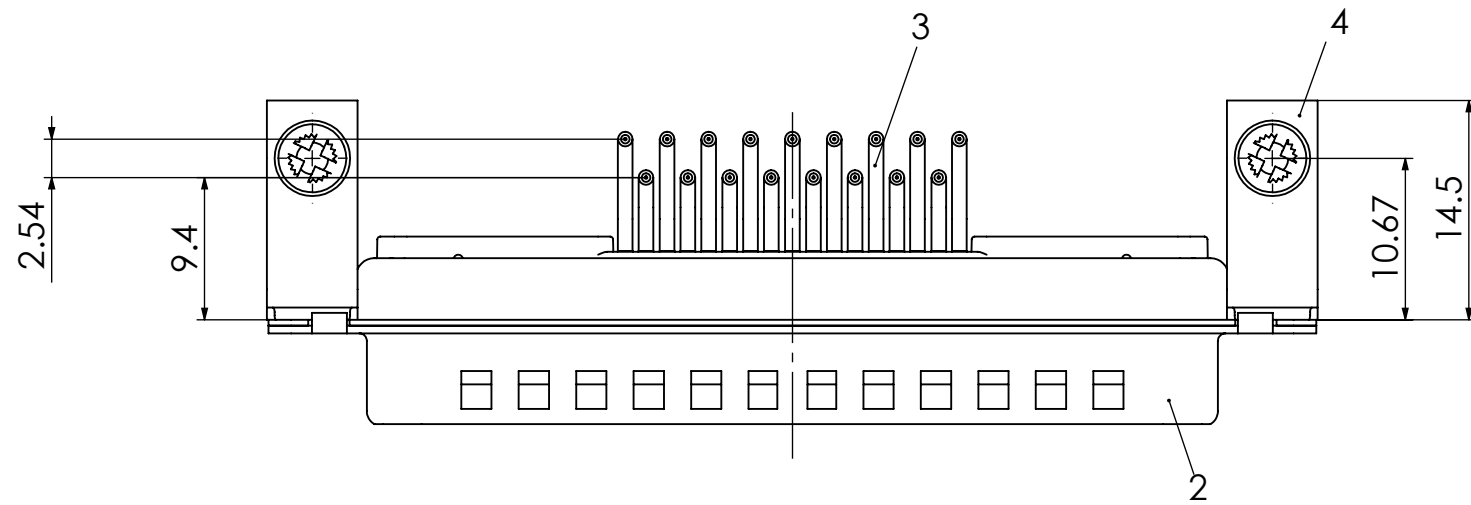
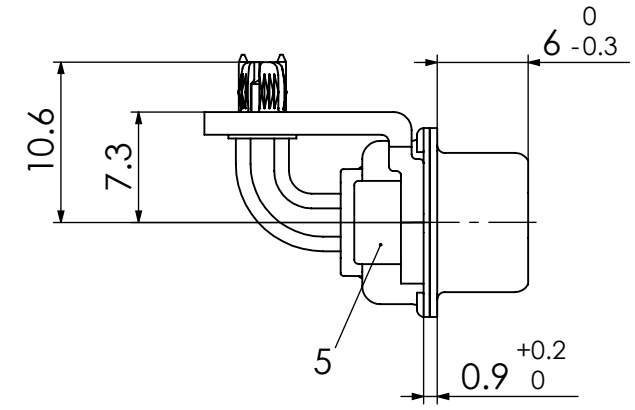
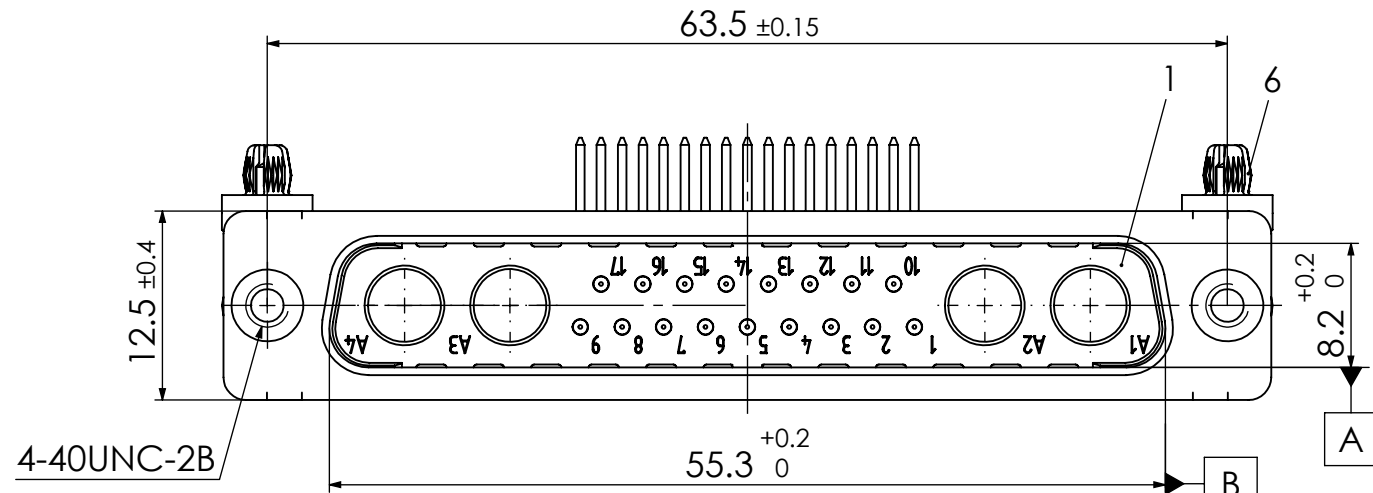
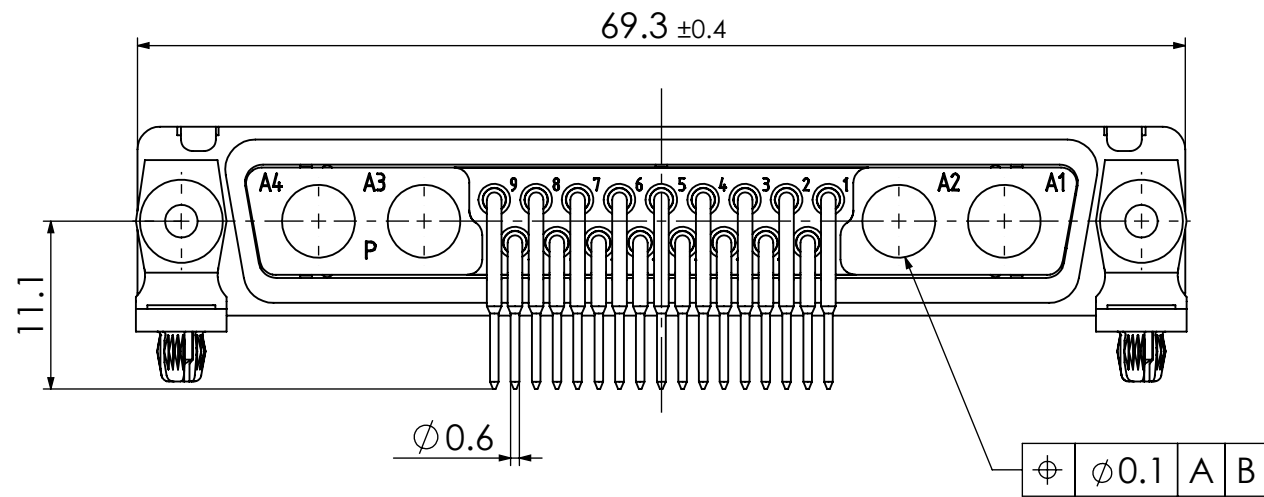
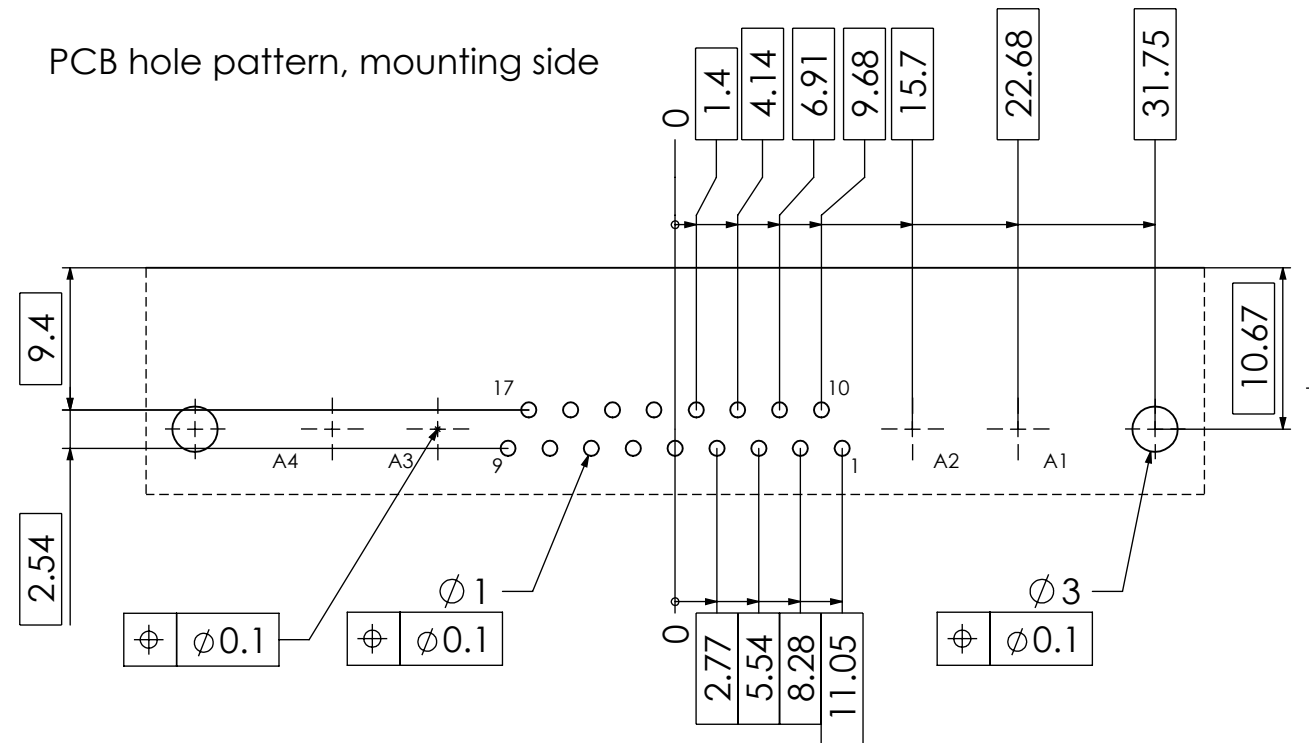


RoHS compliant
by exemption



PCB hole pattern, mounting side



6	2	Snap-in rivet	PCB 1.6mm / Brass	tin plated
5	2	Clinch nut	MW 4-40 / Steel	tin plated
4	2	Bracket	F1080-13B / Steel	tin plated
3	17	Signal contact	P5 / Brass	0.8µm Au
2	1	Shell	Steel	tin plated
1	1	Insulator	PBT (-55°C to +130°C) acc. UL94V-0	green
No.	St.	Part	Type Description/Material	Surface plating/Colour/Class

FUNCTIONAL SYMBOLS ▽ = 0 ▽ = 0 ▽ = 0					THIS DRAWING CONTAINS INFORMATION THAT IS PROPRIETARY TO MOLEX ELECTRONIC TECHNOLOGIES, LLC AND SHOULD NOT BE USED WITHOUT WRITTEN PERMISSION				
DIMENSION UNITS		SCALE		MEASUREMENTS WITHOUT TOLERANCE ACC. TO ISO 2768-m					
mm		2:1							
CURRENT REVISION					molex FCT D-Sub Mixed-Layout Connector				
DRWN: DRAWN BY		msteinbrueck		17-11-2022					
APPR: APPR BY		fvetter		12-04-2023					
INITIAL REVISION					PRODUCT CUSTOMER DRAWING				
DRWN: DRAWN BY		Birgit.Rinder		20-02-2007		MATERIAL NUMBER		REVISION	
APPR: APPR BY		ADenzinger		20-02-2007		1731070337		2	
REV.		CH.-NO.		REPLACEMENT FOR:		DOCUMENT NUMBER		CUSTOMER	
						FM21WA4P5-1002		GENERAL MARKET	
				FRIST ANGLE PROJECTION		DRAWING		SHEET NUMBER	
				A3-SIZE				1 OF 1	

COMMENT: ALL RIGHTS ARE RESERVED BY US FOR THIS DRAWING. WITHOUT OUR PRIOR CONSENT, IT MAY NEITHER BE DUPLICATED NOR MADE AVAILABLE TO A THIRD PARTY. AND IT ALSO MAY NOT BE IMPROPERLY USED BY THE RECEIVER, OR A THIRD PARTY.