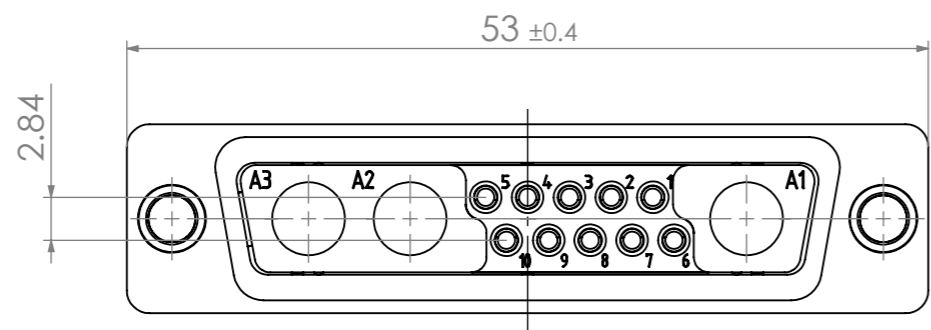
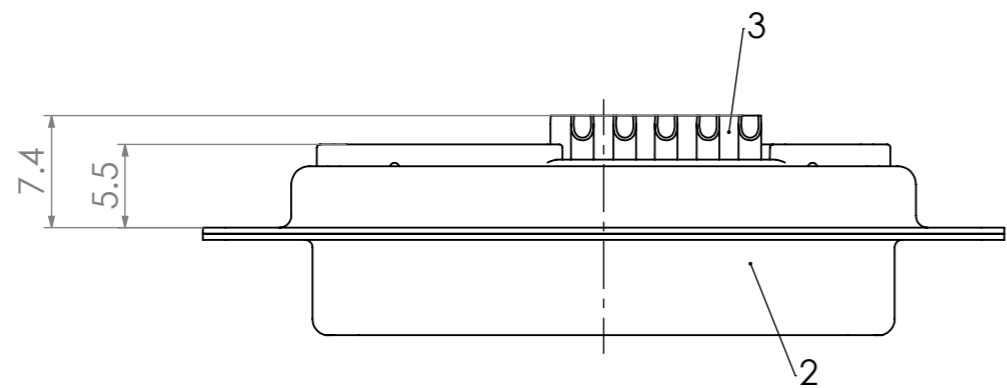
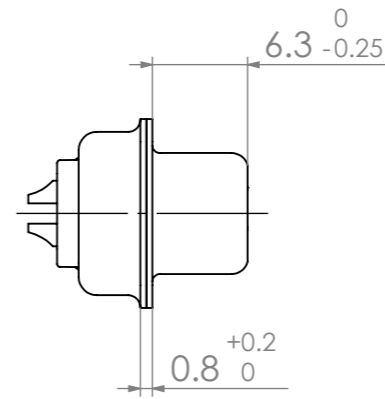
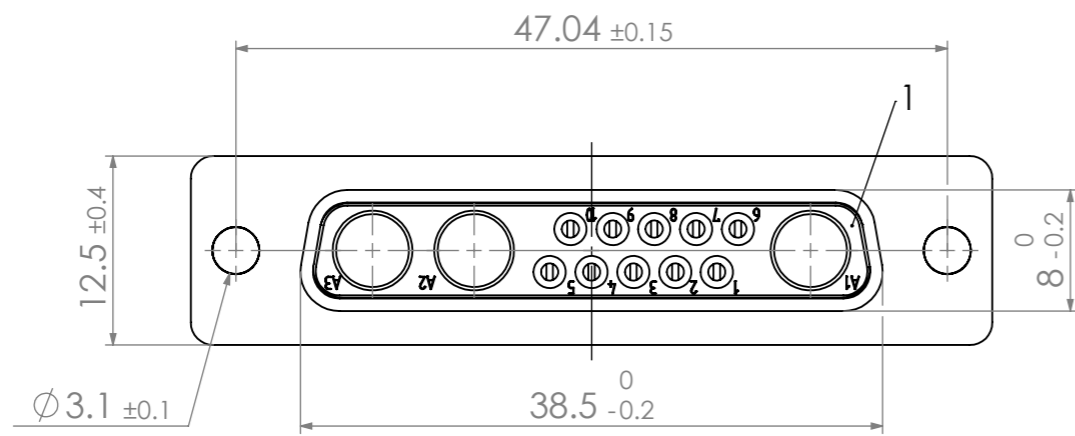


RoHS compliant
by exemption



3	10	Signal contact	SO / Brass	0.8µm Au / AWG 20
2	1	Shell	Steel	tin plated
1	1	Insulator	PBT (-55°C to +130°C) acc. UL94V-0	green
No.	St.	Part	Type Description/Material	Surface plating/Colour/Class

FUNCTIONAL SYMBOLS $\nabla_F = 0$ $\nabla_{F'} = 0$ $\nabla_{F''} = 0$					THIS DRAWING CONTAINS INFORMATION THAT IS PROPRIETARY TO MOLEX ELECTRONIC TECHNOLOGIES, LLC AND SHOULD NOT BE USED WITHOUT WRITTEN PERMISSION				
DIMENSION UNITS		SCALE		MEASUREMENTS WITHOUT TOLERANCE ACC. TO					
mm		2:1		ISO 2768-m					
CURRENT REVISION							PRODUCT CUSTOMER DRAWING		
DRWN: DRAWN BY		msteinbrueck		31-01-2019		FCT-D-Sub Miniature Connector			
APPR: APPR BY		MTeubel		04-02-2019		MATERIAL NUMBER			
2		24130		INITIAL REVISION		1731070064			
1		21-01-2004		DRWN: DRAWN BY		Denzinger		REVISION	
REV.		CH.-NO.		21-01-2004		ASCHIEKOEFER		2	
REPLACEMENT FOR:			FIRST ANGLE PROJECTION		DRAWING		DOCUMENT NUMBER		
					A3-SIZE		FM13W3S-K121		
							CUSTOMER		SHEET NUMBER
							GENERAL MARKET		1 OF 1

COMMENT: ALL RIGHTS ARE RESERVED BY US FOR THIS DRAWING. WITHOUT OUR PRIOR CONSENT, IT MAY NEITHER BE DUPLICATED NOR MADE AVAILABLE TO A THIRD PARTY. AND IT ALSO MAY NOT BE IMPROPERLY USED BY THE RECEIVER, OR A THIRD PARTY.