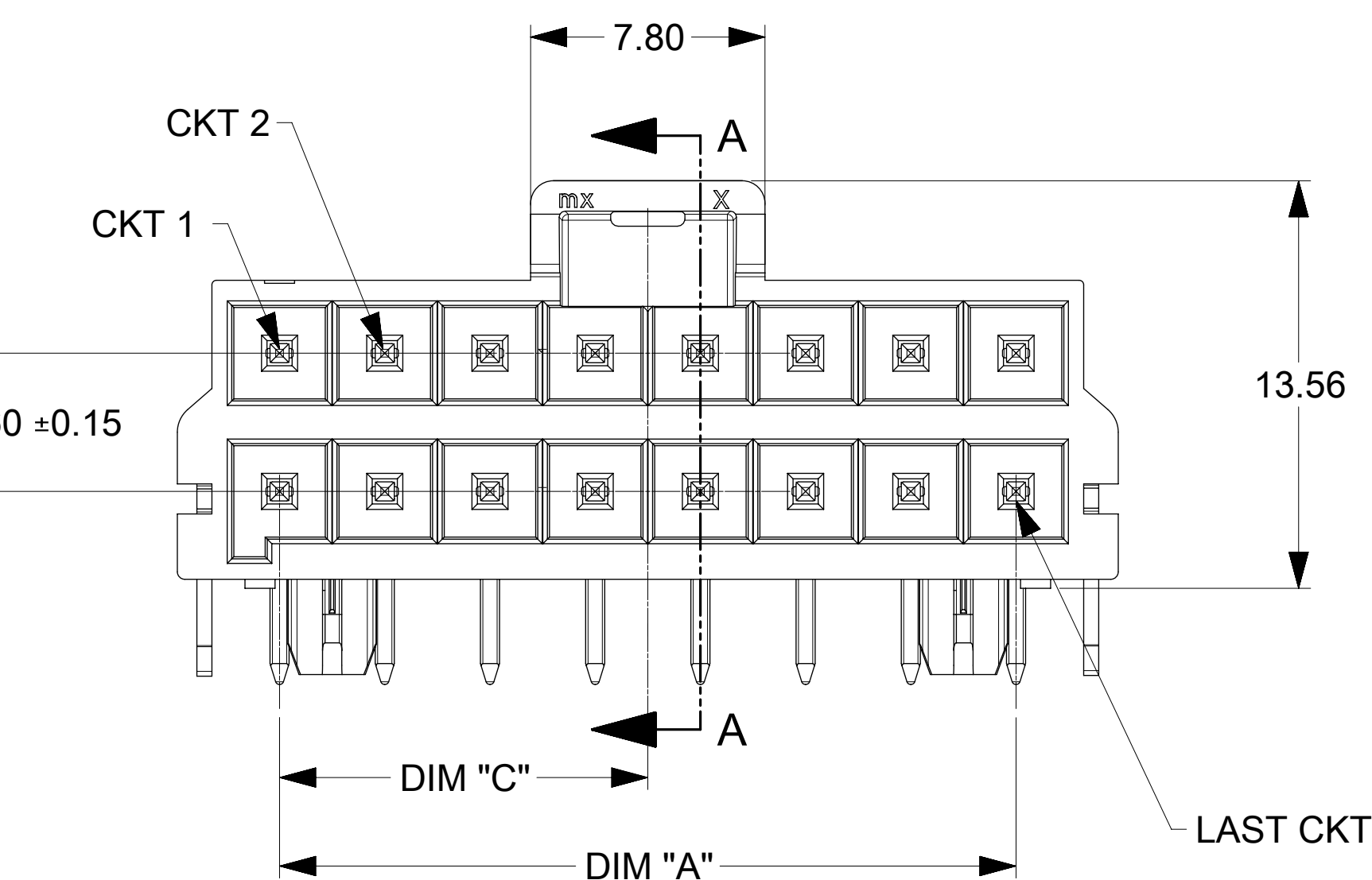
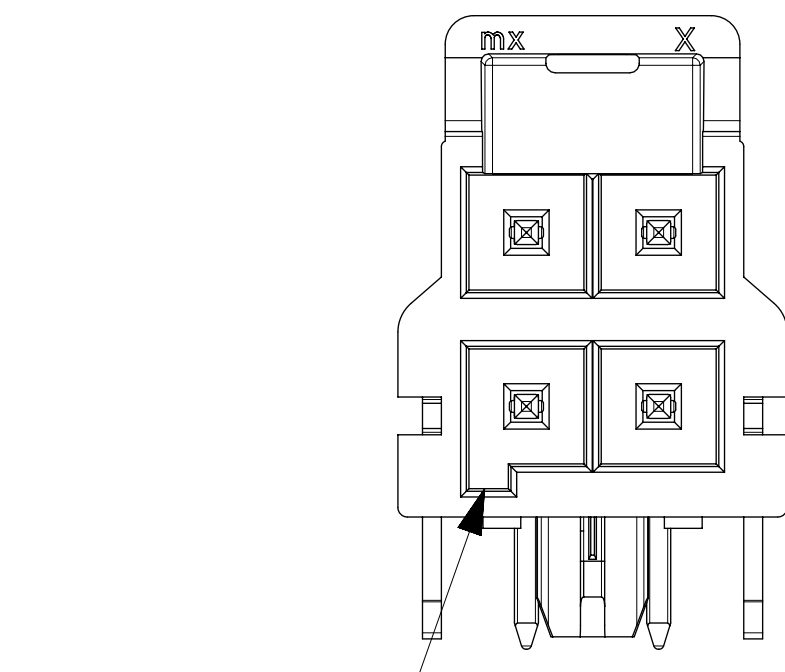


OPTION 1: LATCH FLUSH WITH PCB EDGE
 OPTION 2: HOUSING BODY FLUSH WITH PCB EDGE



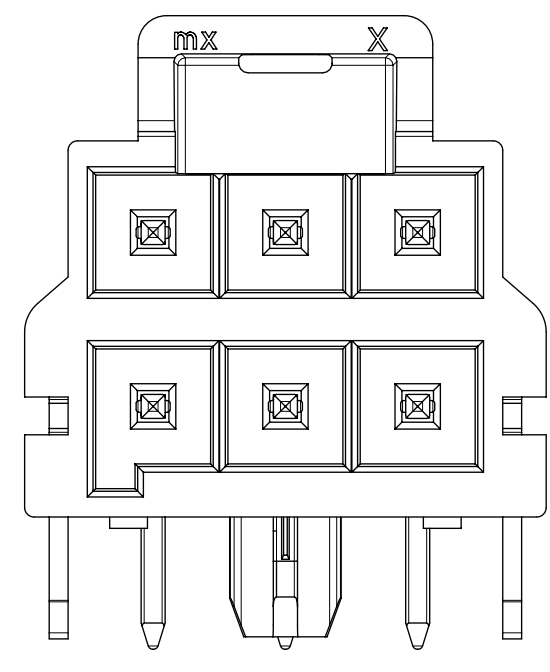
- NOTES:
- MATERIAL :
 HOUSING:
 OPTION 1: LCP BLACK, UL94V-0
 OPTION 2: LCP NATURAL, UL94V-0
 TERMINAL: COPPER ALLOY
 - PLATING FINISH:
 OPTION 1 - 1.5µm(60µin)-2.5µm(100µin) REFLOW MATTE TIN OVER
 1.25µm(50µin)-2.5µm(100µin) NICKEL OVERALL
 OPTION 2 - 0.35µm(15µin) GOLD CONTACT AREA,
 1.5µm(60µin)-2.5µm(100µin) MATTE TIN OVER
 1.25µm(50µin)-2.5µm(100µin) NICKEL OVERALL
 OPTION 3 - 0.70µm(30µin) GOLD CONTACT AREA,
 1.5µm(60µin)-2.5µm(100µin) MATTE TIN OVER
 1.25µm(50µin)-2.5µm(100µin) NICKEL OVERALL
 - PARTS TO BE PACKAGED PER 172316-1114-PK
 - PRODUCT SPECIFICATION PS-172323-0001
 - PART MATES WITH MOLEX RECEPTACLE HOUSING 172258 AND 172262
 - PART CONFORMS TO CLASS "C" REQUIREMENTS OF MOLEX COSMETIC SPECIFICATION.
 PS-45499-002 WITH 0.13 MM MAXIMUM FLASH ALLOWED IN CORE HOLES AND FRONT SURFACE.
 - LASER MARK CODE IN A FORMAT DDD
 - PARTS ARE NOT DESIGNED FOR CURRENT SHARING.

SYMBOLS	THIS DRAWING CONTAINS INFORMATION THAT IS PROPRIETARY TO MOLEX ELECTRONIC TECHNOLOGIES, LLC AND SHOULD NOT BE USED WITHOUT WRITTEN PERMISSION		CURRENT REV DESC:		molex
	DIMENSION UNITS	SCALE			
▽ = 0	mm	5:1			ULTRA-FIT DR R/A HEAD SN ASSY
▽ = 0	GENERAL TOLERANCES (UNLESS SPECIFIED)				PRODUCT CUSTOMER DRAWING
▽ = 0	ANGULAR TOL	± °			DOCUMENT NUMBER
▽ = 0	4 PLACES	±	EC NO: 762168	2023/09/06	1723162000
▽ = 0	3 PLACES	±	DRWN: LEOW	2024/02/20	PSD 000 E
▽ = 0	2 PLACES	± 0.13	CHK'D: XQZHANG	2016/06/21	DOC TYPE
▽ = 0	1 PLACE	± 0.25	APPR: XQZHANG	2016/06/21	DOC PART
▽ = 0	0 PLACES	±	INITIAL REVISION:		REVISION
☒ = 0	DRAFT WHERE APPLICABLE MUST REMAIN WITHIN DIMENSIONS		DRWN: PPEREZ03	2016/02/22	
▽ = 0	THIRD ANGLE PROJECTION		APPR: RHODGE	2016/06/21	
	DRAWING		SERIES	MATERIAL NUMBER	CUSTOMER
	D-SIZE		172316		SHEET NUMBER
					1 OF 3

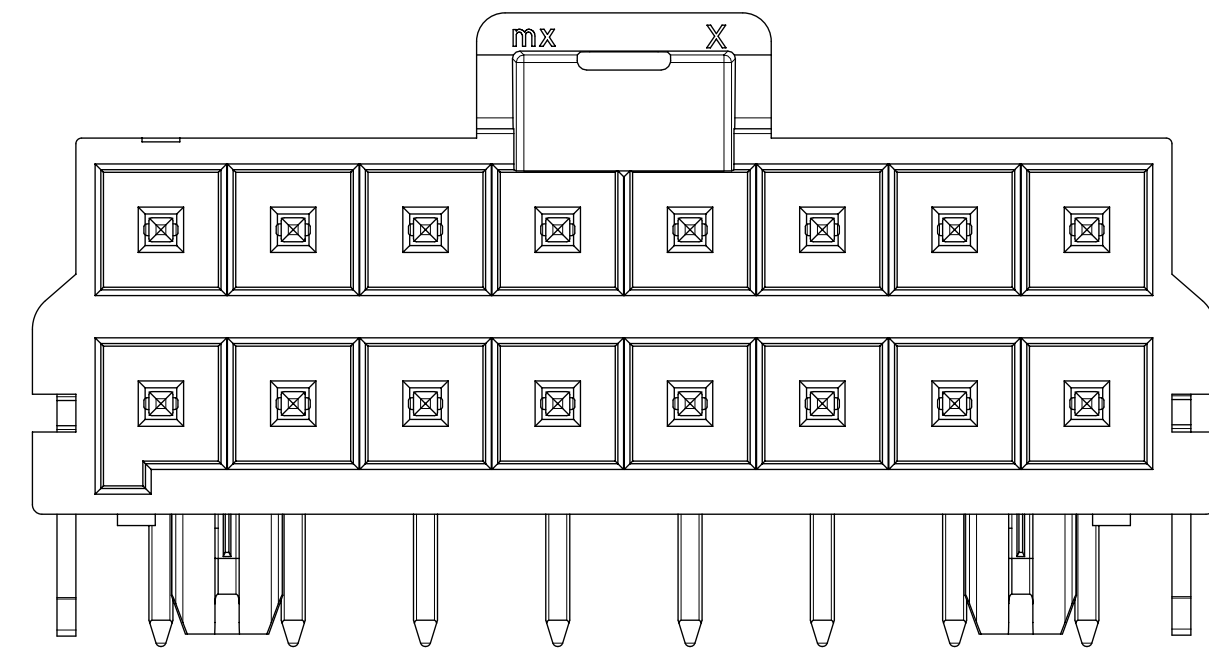
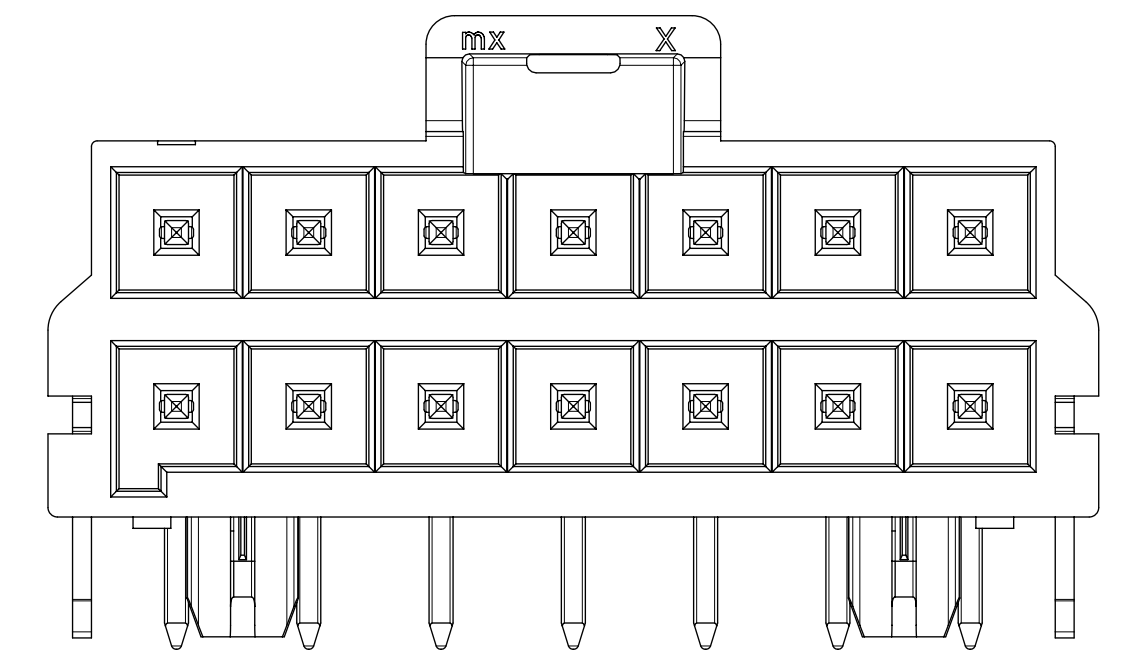
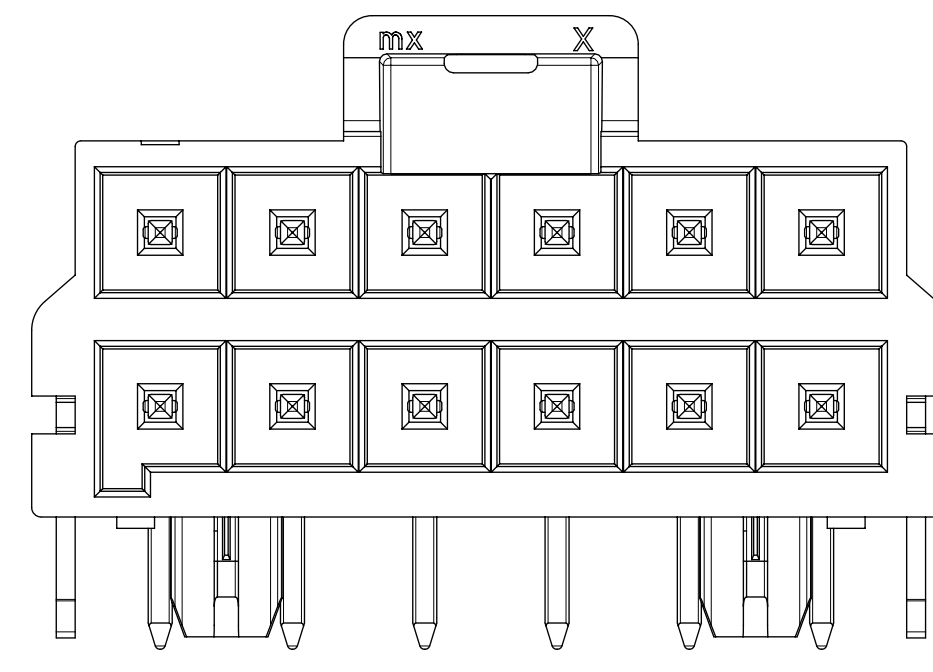
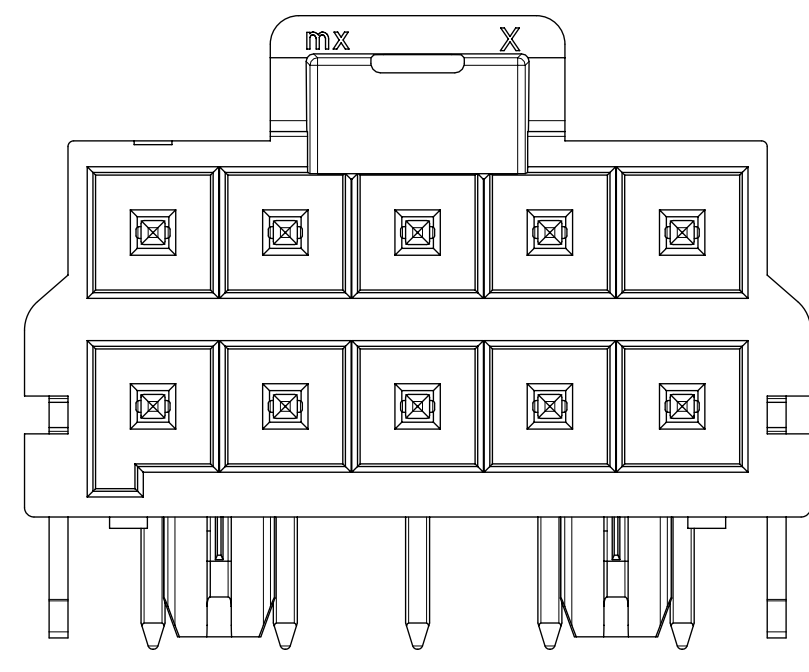
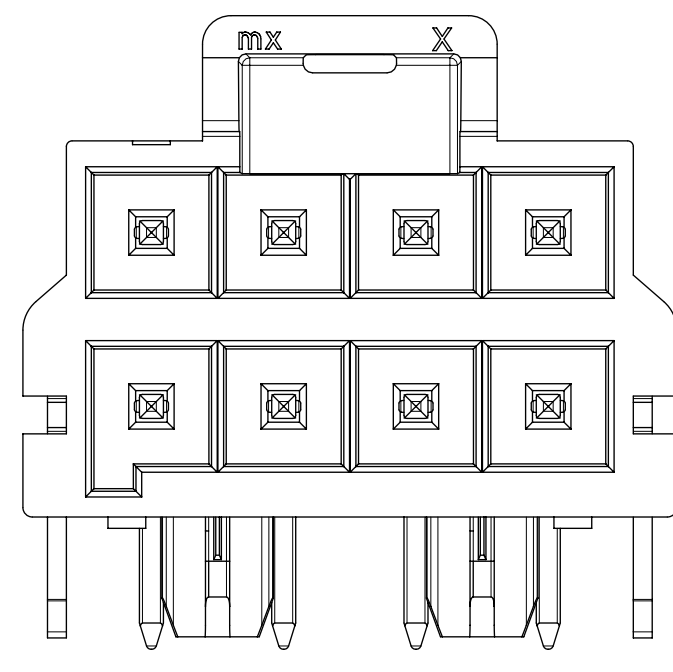


4CKT

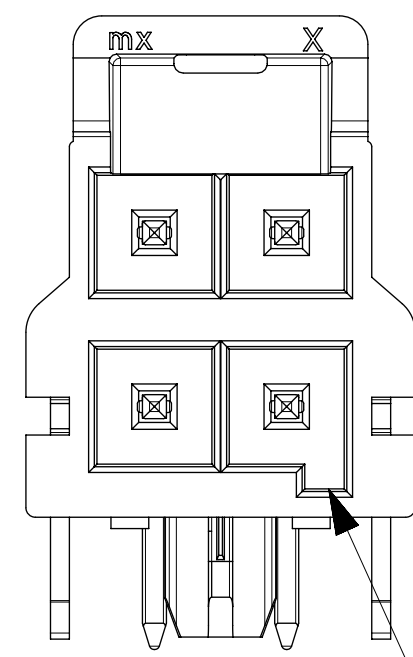
KEY A (BLACK)



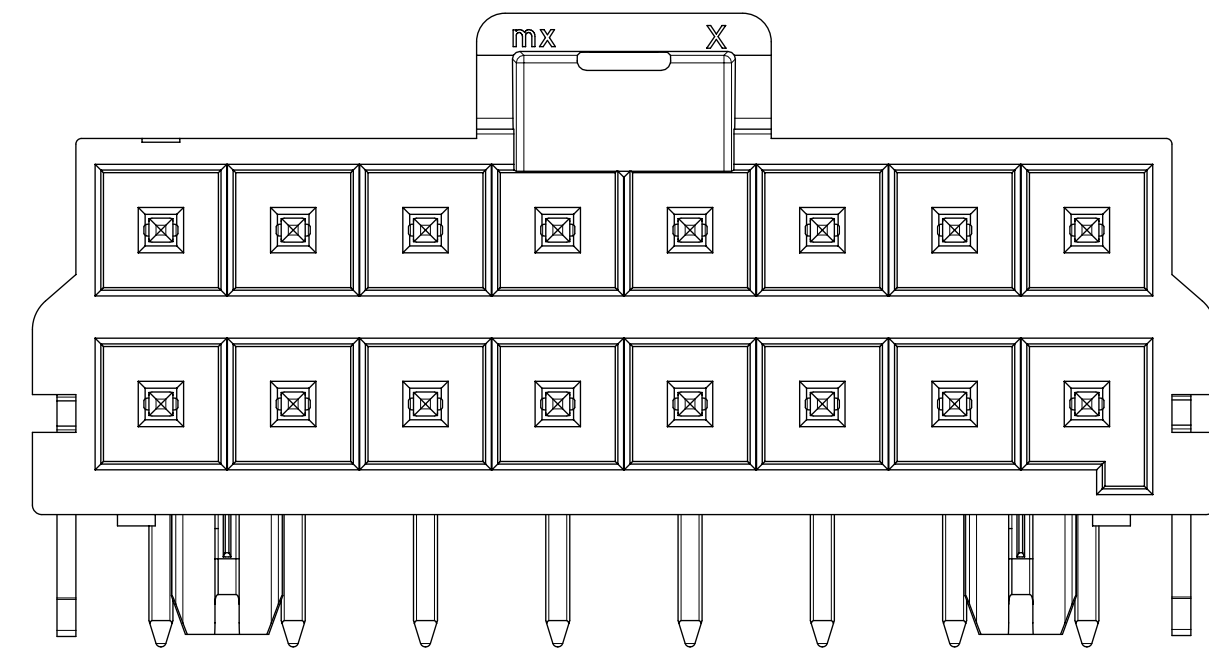
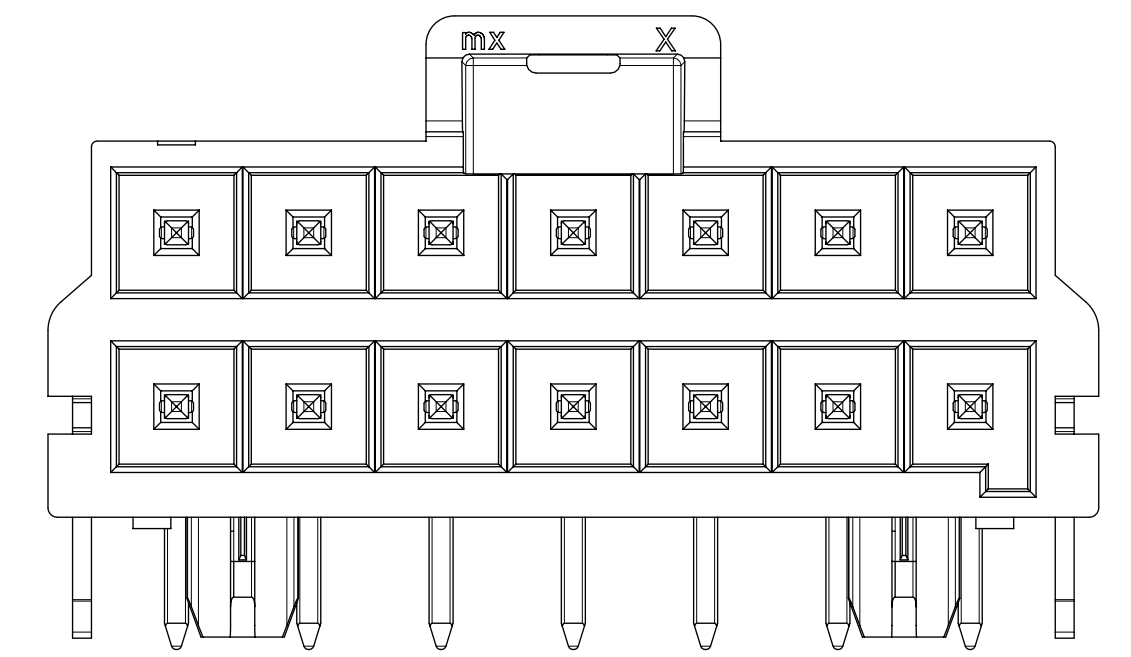
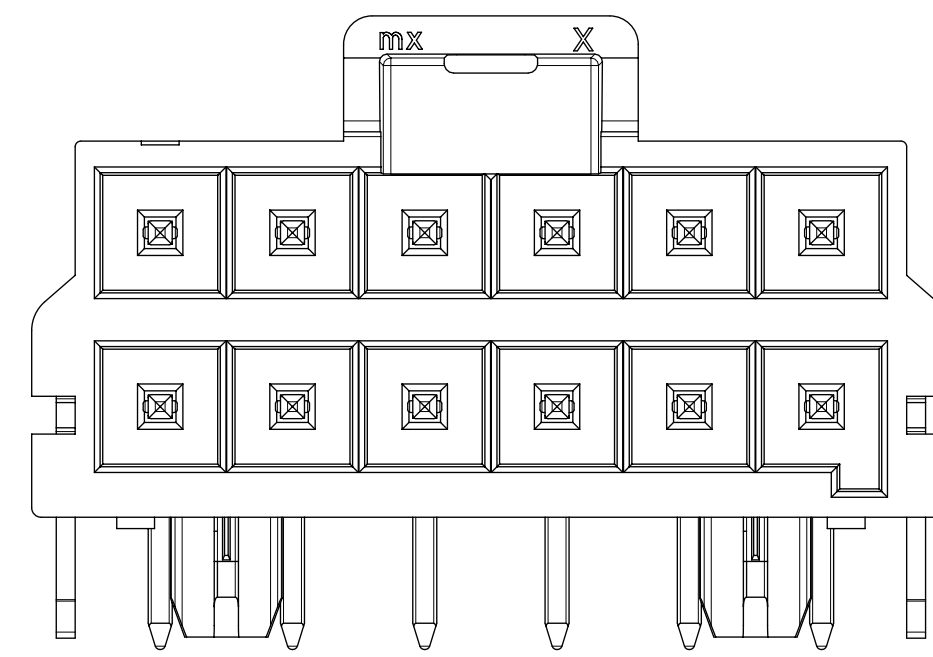
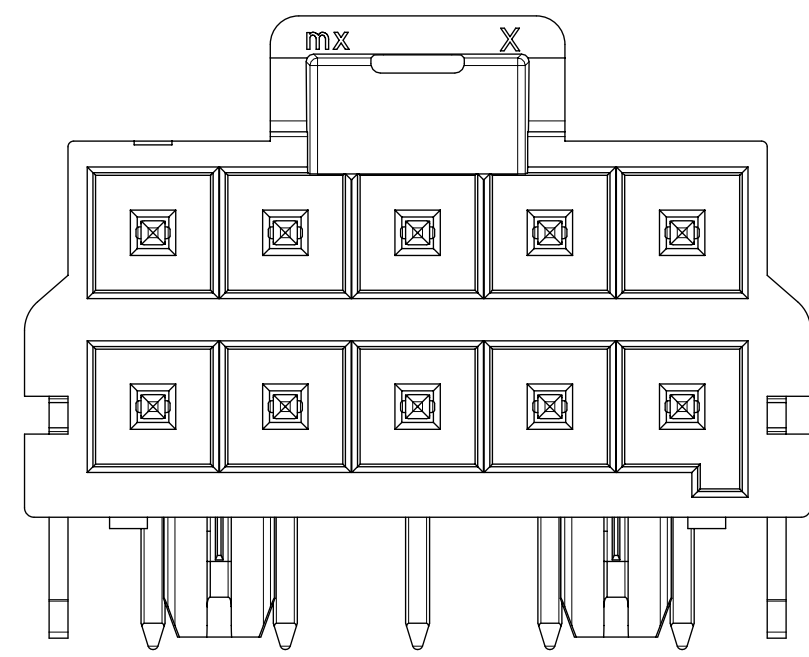
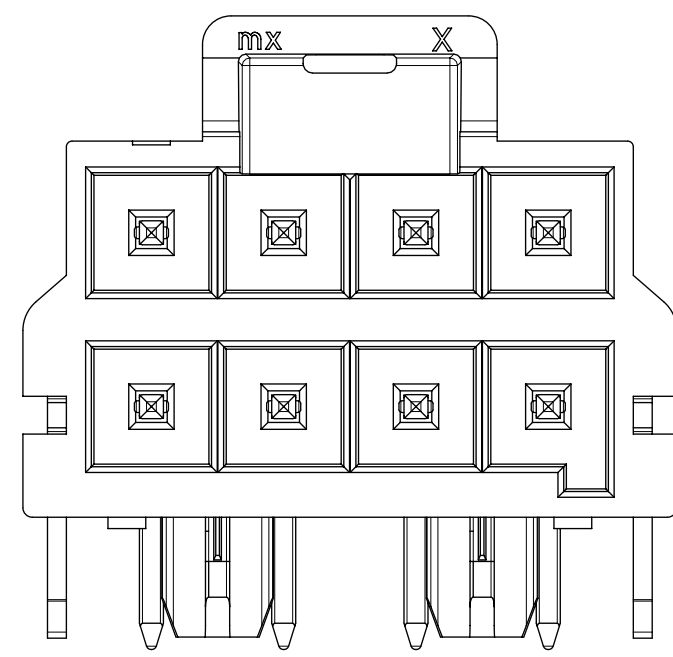
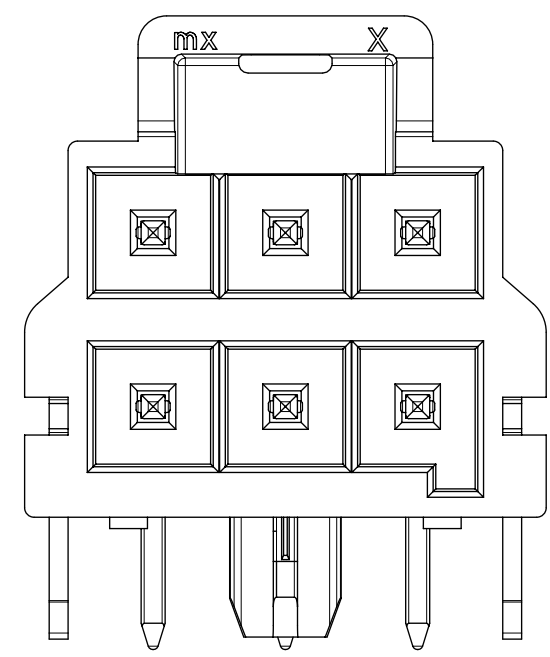
6CKT



BLACK



KEY B (BLACK)



NATURAL

COLOR-POLARIZATION

SYMBOLS	THIS DRAWING CONTAINS INFORMATION THAT IS PROPRIETARY TO MOLEX ELECTRONIC TECHNOLOGIES, LLC AND SHOULD NOT BE USED WITHOUT WRITTEN PERMISSION		
	DIMENSION UNITS	SCALE	CURRENT REV DESC:
▽ = 0	mm	5:1	EC NO: 762168 DRWN: LEOW 2023/09/06 CHK'D: XQZHANG 2024/02/20 APPR: XQZHANG 2024/02/20
▽ = 0	GENERAL TOLERANCES (UNLESS SPECIFIED)		
▽ = 0	ANGULAR TOL	± °	INITIAL REVISION: DRWN: PPerez03 2016/02/22 APPR: RHODGE 2016/06/21
▽ = 0	4 PLACES	±	
▽ = 0	3 PLACES	±	THIRD ANGLE PROJECTION
▽ = 0	2 PLACES	± 0.13	
▽ = 0	1 PLACE	± 0.25	DRAWING SERIES
▽ = 0	0 PLACES	±	
■ = 0	DRAFT WHERE APPLICABLE MUST REMAIN WITHIN DIMENSIONS		D-D SIZE 172316
▽ = 0			MATERIAL NUMBER CUSTOMER SHEET NUMBER
		1723162000 PSD 000 E 3 OF 3	