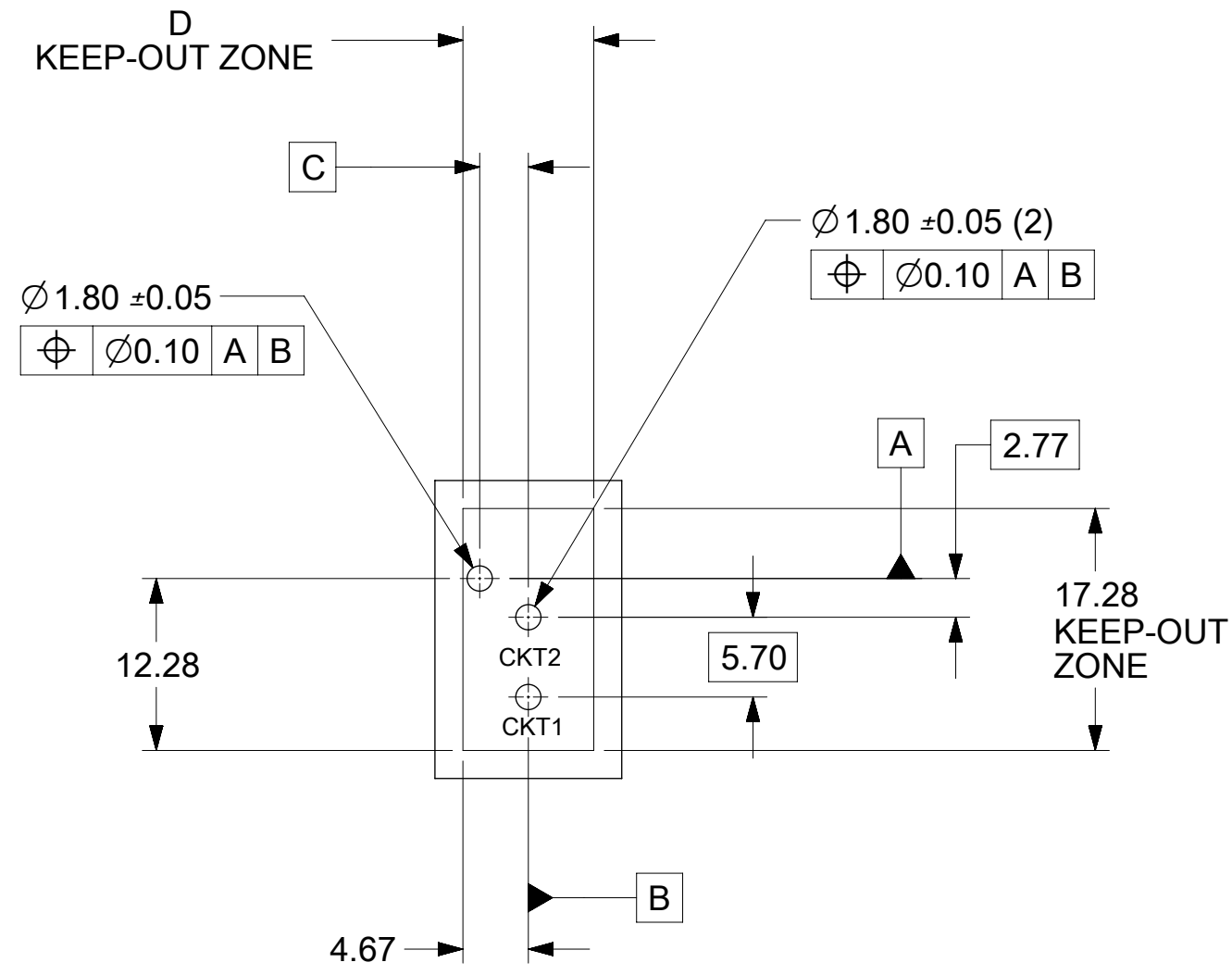
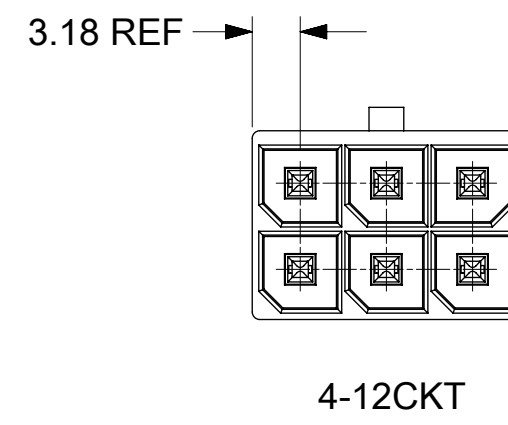
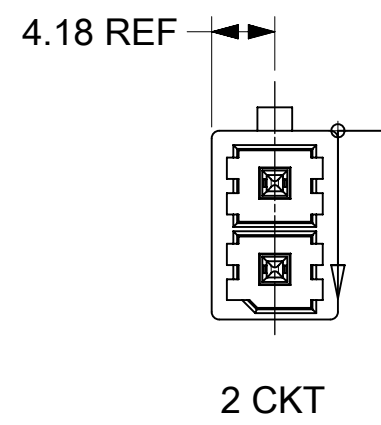


76829-0106 SHOWN

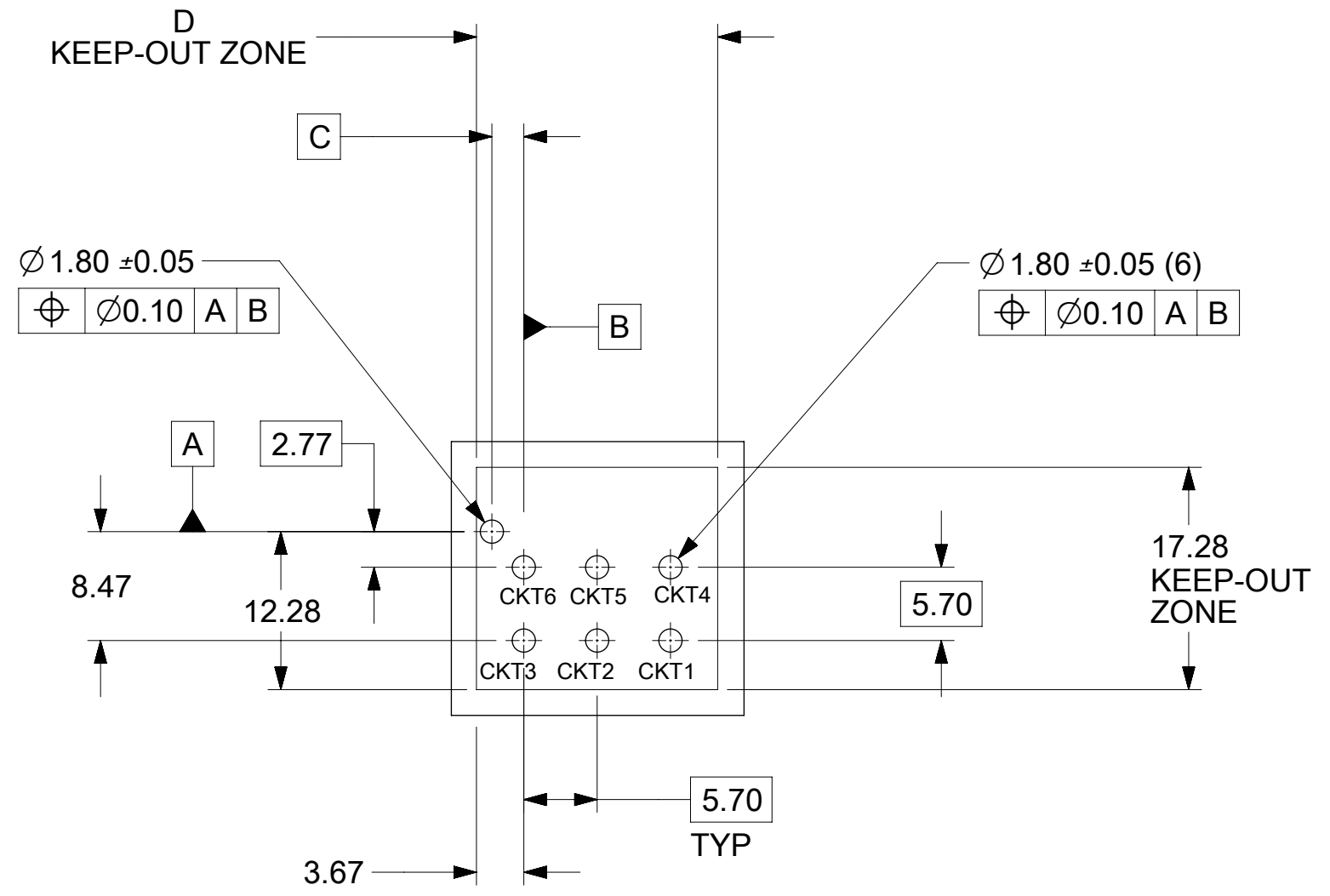
NOTES:

- MATERIAL:
HOUSING: LCP, UL94V-0, GLOW WIRE CAPABLE PER IEC-60335-1 5TH EDITION, COLOR: SEE CHART.
TERMINAL: HIGH CONDUCTIVITY COPPER.
- TERMINAL PLATING:
(TIN) 1.52 MICROMETER /(60 MICROINCH) MIN REFLOWED MATTE TIN OVER
1.27 MICROMETER /(50 MICROINCH) MIN NICKEL OVERALL.
(15 GOLD) 0.38 MICROMETER /(15 MICROINCH) MIN SELECT GOLD ON CONTACT AREA
2.54 MICROMETER /(100 MICROINCH) MIN SELECT MATTE TIN ON SOLDER AREA
BOTH OVER 1.27 MICROMETER /(50 MICROINCH) MIN NICKEL OVERALL
(30 GOLD) 0.76 MICROMETER /(30 MICROINCH) MIN SELECT GOLD ON CONTACT AREA
2.54 MICROMETER /(100 MICROINCH) MIN SELECT MATTE TIN ON SOLDER AREA
BOTH OVER 1.27 MICROMETER /(50 MICROINCH) MIN NICKEL OVERALL
- PRODUCT SPECIFICATION:PS-76823-100/1720631000-PS
- BLACK PART MATES WITH MOLEX PART NUMBER 170001 AND 171692 SERIES.
NON-BLACK PART MATES WITH MOLEX PART NUMBER 224983 SERIES.
- PACKAGING SPECIFICATION:768291100 (TRAY) , 1720659206-PK (T & R), AND 1720658000 (T&R W/ KAPTON)
- APPLICATION SPECIFICATION:AS-76823-100/ 768232000-AS
- PARTS CONFORM TO CLASS "B" REQUIREMENTS OF COSMETIC SPECIFICATION PS-45499-002.

THIS DRAWING CONTAINS INFORMATION THAT IS PROPRIETARY TO MOLEX ELECTRONIC TECHNOLOGIES, LLC AND SHOULD NOT BE USED WITHOUT WRITTEN PERMISSION									
DIMENSION UNITS		SCALE		CURRENT REV DESC:				molex	
mm		NTS							
GENERAL TOLERANCES (UNLESS SPECIFIED)				EC NO: 789500 DRWN: JERRYW8 2023/05/17 CHK'D: XQZHANG 2024/06/18 APPR: XQZHANG 2024/06/18				MEGAFIT SLIM VERTICAL HEADER ASSY WITHOUT CRUSH PEGS 2-12 CKT	
ANGULAR TOL		± 3.0°						PRODUCT CUSTOMER DRAWING	
4 PLACES		±		INITIAL REVISION: DRWN: GSHARMA 2016/07/15 APPR: KPRASAD 2017/07/21				DOCUMENT NUMBER	
3 PLACES		±						768290002	
2 PLACES		± 0.4		DRAFT WHERE APPLICABLE MUST REMAIN WITHIN DIMENSIONS				PSD 000 B	
1 PLACE		± 0.5						MATERIAL NUMBER	
0 PLACES		±		THIRD ANGLE PROJECTION		GENERAL MARKET		1 OF 4	
				DRAWING		SERIES			
				C-SIZE		76829			



PCB LAYOUT: COMPONENT SIDE
RECOMENDED PCB THICKNESS: 1.58 MM/.062 INCH



PCB LAYOUT: COMPONENT SIDE
RECOMENDED PCB THICKNESS: 1.58 MM/.062 INCH

THIS DRAWING CONTAINS INFORMATION THAT IS PROPRIETARY TO MOLEX ELECTRONIC TECHNOLOGIES, LLC AND SHOULD NOT BE USED WITHOUT WRITTEN PERMISSION									
DIMENSION UNITS		SCALE		CURRENT REV DESC:				molex	
mm		NTS							
GENERAL TOLERANCES (UNLESS SPECIFIED)				EC NO: 789500				MEGAFIT SLIM VERTICAL HEADER ASSY WITHOUT CRUSH PEGS 2-12 CKT	
ANGULAR TOL $\pm 3.0^\circ$				DRWN: JERRYW8 2023/05/17					
4 PLACES \pm				CHK'D: XQZHANG 2024/06/18				PRODUCT CUSTOMER DRAWING	
3 PLACES \pm				APPR: XQZHANG 2024/06/18					
2 PLACES ± 0.4				INITIAL REVISION:				DOCUMENT NUMBER	
1 PLACE ± 0.5				DRWN: GSHARMA 2016/07/15					
0 PLACES \pm				APPR: KPRASAD 2017/07/21				768290002	
DRAFT WHERE APPLICABLE MUST REMAIN WITHIN DIMENSIONS		THIRD ANGLE PROJECTION		DRAWING		SERIES		MATERIAL NUMBER	
				C-SIZE		76829		SEE TABLE	
								CUSTOMER	
								GENERAL MARKET	
								DOC TYPE	
								PSD	
								DOC PART	
								000	
								REVISION	
								B	
								SHEET NUMBER	
								2 OF 4	

CKT	POLARIZATION-BALCK	POLARIZATION-NATURAL	POLARIZATION-RED	POLARIZATION-BLUE	POLARIZATION-YELLOW
2 CKT					
4 CKT					
6 CKT					
8 CKT					
10 CKT					
12 CKT					

THIS DRAWING CONTAINS INFORMATION THAT IS PROPRIETARY TO MOLEX ELECTRONIC TECHNOLOGIES, LLC AND SHOULD NOT BE USED WITHOUT WRITTEN PERMISSION

DIMENSION UNITS		SCALE		CURRENT REV DESC:			
mm		NTS					
GENERAL TOLERANCES (UNLESS SPECIFIED)							
ANGULAR TOL		± 3.0°					
4 PLACES		±		EC NO: 789500			
3 PLACES		±		DRWN: JERRYW8		2023/05/17	
2 PLACES		± 0.4		CHK'D: XQZHANG		2024/06/18	
1 PLACE		± 0.5		APPR: XQZHANG		2024/06/18	
0 PLACES		±		INITIAL REVISION:			
				DRWN: GSHARMA		2016/07/15	
				APPR: KPRASAD		2017/07/21	
DRAFT WHERE APPLICABLE MUST REMAIN WITHIN DIMENSIONS		THIRD ANGLE PROJECTION		DRAWING		SERIES	
				C-SIZE		76829	
DOCUMENT NUMBER				DOC TYPE		DOC PART	
768290002				PSD		000	
MATERIAL NUMBER				CUSTOMER		SHEET NUMBER	
SEE TABLE				GENERAL MARKET		3 OF 4	
REVISION				REV		REV	
B				000		1	



MEGAFIT SLIM VERTICAL HEADER ASSY
WITHOUT CRUSH PEGS 2-12 CKT

PRODUCT CUSTOMER DRAWING

CKT SIZE	PART NO.	PLATING	DIM A	DIM C BASIC	DIM D	PK SPEC	HEADER COLOR
2	76829-0102	TIN	8.35	3.48	9.35	TRAY	BLACK
4	76829-0104	TIN	12.05	2.48	13.05		
6	76829-0106	TIN	17.75	2.48	18.75		
8	76829-0108	TIN	23.45	2.48	24.45		
10	76829-0110	TIN	29.15	2.48	30.15		
12	76829-0112	TIN	34.85	2.48	35.85		
2	172065-0202	15 GOLD	8.35	3.48	9.35		
4	172065-0204	15 GOLD	12.05	2.48	13.05		
6	172065-0206	15 GOLD	17.75	2.48	18.75		
8	172065-0208	15 GOLD	23.45	2.48	24.45		
10	172065-0210	15 GOLD	29.15	2.48	30.15		
12	172065-0212	15 GOLD	34.85	2.48	35.85		
2	172065-0302	30 GOLD	8.35	3.48	9.35		
4	172065-0304	30 GOLD	12.05	2.48	13.05		
6	172065-0306	30 GOLD	17.75	2.48	18.75		
8	172065-0308	30 GOLD	23.45	2.48	24.45		
10	172065-0310	30 GOLD	29.15	2.48	30.15		
12	172065-0312	30 GOLD	34.85	2.48	35.85		

CKT SIZE	PART NO.	PLATING	DIM A	DIM C BASIC	DIM D	PK SPEC	HEADER COLOR	
*	2	76829-9102	TIN	8.35	3.48	TAPE&REEL WITHOUT KAPTON	BLACK	
*	4	76829-9104	TIN	12.05	2.48			13.05
*	6	76829-9106	TIN	17.75	2.48			18.75
*	8	76829-9108	TIN	23.45	2.48			24.45
*	10	76829-9110	TIN	29.15	2.48			30.15
*	12	76829-9112	TIN	34.85	2.48			35.85
*	2	172065-9202	15 GOLD	8.35	3.48			9.35
*	4	172065-9204	15 GOLD	12.05	2.48			13.05
*	6	172065-9206	15 GOLD	17.75	2.48			18.75
*	8	172065-9208	15 GOLD	23.45	2.48			24.45
*	10	172065-9210	15 GOLD	29.15	2.48			30.15
*	12	172065-9212	15 GOLD	34.85	2.48			35.85
*	2	172065-9302	30 GOLD	8.35	3.48			9.35
*	4	172065-9304	30 GOLD	12.05	2.48			13.05
*	6	172065-9306	30 GOLD	17.75	2.48			18.75
*	8	172065-9308	30 GOLD	23.45	2.48			24.45
*	10	172065-9310	30 GOLD	29.15	2.48			30.15
*	12	172065-9312	30 GOLD	34.85	2.48			35.85

CKT SIZE	PART NO.	PLATING	DIM A	DIM C BASIC	DIM D	PK SPEC	HEADER COLOR
2	172065-2102	TIN	8.35	3.48	9.35	TRAY	NATURAL
4	172065-2104		12.05	2.48	13.05		
6	172065-2106		17.75	2.48	18.75		
8	172065-2108		23.45	2.48	24.45		
10	172065-2110		29.15	2.48	30.15		
12	172065-2112		34.85	2.48	35.85		
2	172065-3102		8.35	3.48	9.35		RED
4	172065-3104		12.05	2.48	13.05		
6	172065-3106		17.75	2.48	18.75		
8	172065-3108		23.45	2.48	24.45		
10	172065-3110		29.15	2.48	30.15		
12	172065-3112		34.85	2.48	35.85		
2	172065-4102	8.35	3.48	9.35	BLUE		
4	172065-4104	12.05	2.48	13.05			
6	172065-4106	17.75	2.48	18.75			
8	172065-4108	23.45	2.48	24.45			
10	172065-4110	29.15	2.48	30.15			
12	172065-4112	34.85	2.48	35.85			
2	172065-5102	8.35	3.48	9.35	YELLOW		
4	172065-5104	12.05	2.48	13.05			
6	172065-5106	17.75	2.48	18.75			
8	172065-5108	23.45	2.48	24.45			
10	172065-5110	29.15	2.48	30.15			
12	172065-5112	34.85	2.48	35.85			

CKT SIZE	PART NO.	PLATING	DIM A	DIM C BASIC	DIM D	PK SPEC	HEADER COLOR	
*	2	76829-8102	TIN	8.35	3.48	TAPE&REEL WITH KAPTON	BLACK	
*	4	76829-8104	TIN	12.05	2.48			13.05
*	6	76829-8106	TIN	17.75	2.48			18.75
*	8	76829-8108	TIN	23.45	2.48			24.45
*	10	76829-8110	TIN	29.15	2.48			30.15
*	12	76829-8112	TIN	34.85	2.48			35.85
*	2	172065-8202	15 GOLD	8.35	3.48			9.35
*	4	172065-8204	15 GOLD	12.05	2.48			13.05
*	6	172065-8206	15 GOLD	17.75	2.48			18.75
*	8	172065-8208	15 GOLD	23.45	2.48			24.45
*	10	172065-8210	15 GOLD	29.15	2.48			30.15
*	12	172065-8212	15 GOLD	34.85	2.48			35.85
*	2	172065-8302	30 GOLD	8.35	3.48			9.35
*	4	172065-8304	30 GOLD	12.05	2.48			13.05
*	6	172065-8306	30 GOLD	17.75	2.48			18.75
*	8	172065-8308	30 GOLD	23.45	2.48			24.45
*	10	172065-8310	30 GOLD	29.15	2.48			30.15
*	12	172065-8312	30 GOLD	34.85	2.48			35.85

* DESIGNATES PART NOT RELEASED
CONTACT FACTORY FOR AVAILABILITY.

THIS DRAWING CONTAINS INFORMATION THAT IS PROPRIETARY TO MOLEX ELECTRONIC TECHNOLOGIES, LLC AND SHOULD NOT BE USED WITHOUT WRITTEN PERMISSION									
DIMENSION UNITS		SCALE		CURRENT REV DESC:				molex	
mm		NTS							
GENERAL TOLERANCES (UNLESS SPECIFIED)				EC NO: 789500				MEGAFIT SLIM VERTICAL HEADER ASSY WITHOUT CRUSH PEGS 2-12 CKT	
ANGULAR TOL ± 3.0°				DRWN: JERRYW8 2023/05/17					
4 PLACES ±				CHK'D: XQZHANG 2024/06/18					
3 PLACES ±				APPR: XQZHANG 2024/06/18				PRODUCT CUSTOMER DRAWING	
2 PLACES ± 0.4				INITIAL REVISION:				DOCUMENT NUMBER	
1 PLACE ± 0.5				DRWN: GSHARMA 2016/07/15				768290002	
0 PLACES ±				APPR: KPRASAD 2017/07/21				PSD 000 B	
DRAFT WHERE APPLICABLE MUST REMAIN WITHIN DIMENSIONS				THIRD ANGLE PROJECTION		DRAWING		SERIES	
						C-SIZE		76829	
MATERIAL NUMBER				CUSTOMER				SHEET NUMBER	
SEE TABLE				GENERAL MARKET				4 OF 4	