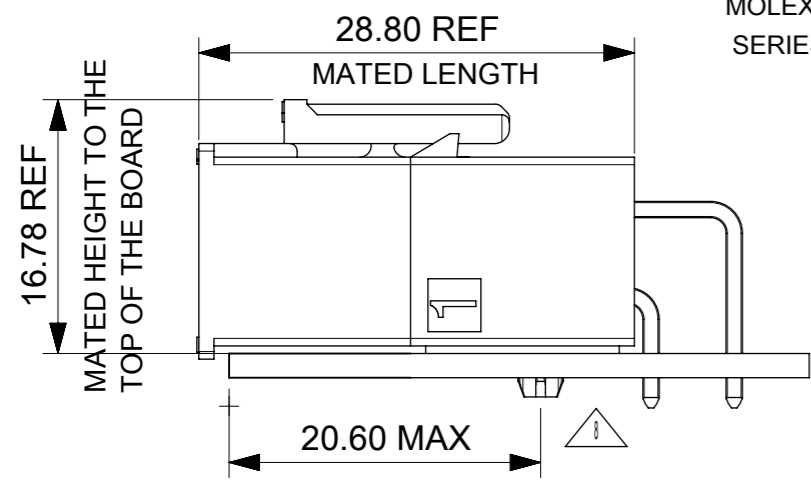
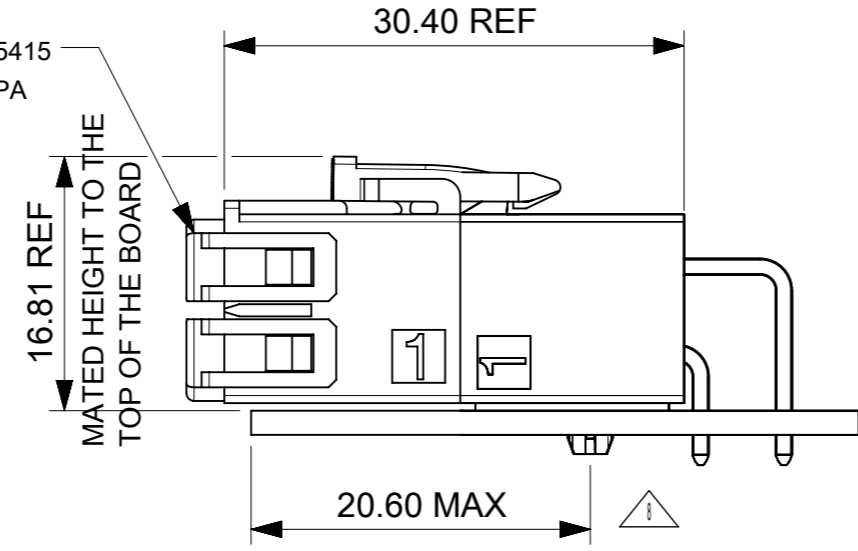


76825-0006 SHOWN

- NOTES:
- MATERIAL:  
HOUSING LCP, UL94V-0, GLOW WIRE CAPABLE PER IEC-60335-1 5TH EDITION, COLOR: SEE CHART.  
TERMINAL: HIGH CONDUCTIVITY COPPER.
  - TERMINAL PLATING:  
(TIN) 1.52 MICROMETER MIN REFLOWED MATTE TIN OVER  
1.27 MICROMETER MIN NICKEL OVERALL.  
(15 GOLD) 0.38 MICROMETER MIN SELECTIVE GOLD ON CONTACT AREA  
WITH 2.54 MICROMETER MIN SELECTIVE TIN ON SOLDER AREA  
BOTH OVER 1.27 MICROMETER MIN NICKEL OVERALL.  
(30 GOLD) 0.76 MICROMETER MIN SELECTIVE GOLD ON CONTACT AREA  
WITH 2.54 MICROMETER MIN SELECTIVE TIN ON SOLDER AREA  
BOTH OVER 1.27 MICROMETER MIN NICKEL OVERALL.
  - PRODUCT SPECIFICATION PS-76823-100, 1720631000-PS
  - PACKAGING: TRAY PACKED PER MOLEX SPECIFICATION PK-76825-0000, WHILE T&R IS 1720640900.
  - BLACK PART MATES WITH MOLEX PART NUMBER 170001 AND 171692 SERIES.  
NON-BLACK PART MATES WITH MOLEX PART NUMBER 224983 SERIES.S.
  - APPLICATION SPECIFICATION: AS-76823-100, 768232000-AS
  - PARTS CONFORM TO CLASS "B" REQUIREMENTS OF COSMETIC SPECIFICATION PS-45499-002.
  - TO AVOID INTERFERENCE BETWEEN RECEPTACLE AND PCB, HEADER MUST BE PLACED WITHIN 20.6 MAX FROM EDGE OF PCB AS SHOWN FOR 4 THROUGH 12 CIRCUITS.  
FOR 2 CIRCUIT PARTS THIS DIMENSION IS 15.1 MAX.



NONE-TPA VERSION



TPA-CAPABLE VERSION

THIS DRAWING CONTAINS INFORMATION THAT IS PROPRIETARY TO MOLEX ELECTRONIC TECHNOLOGIES, LLC AND SHOULD NOT BE USED WITHOUT WRITTEN PERMISSION											
DIMENSION UNITS		SCALE		CURRENT REV DESC:						<b>molex</b>	
mm		NTS									
GENERAL TOLERANCES (UNLESS SPECIFIED)				EC NO: 789500						MEGA-FIT RIGHT ANGLE HEADER R/A HEADER ASSY 2-12 CKT	
ANGULAR TOL ± 3.0 °				4 PLACES ±		DRWN: JERRYW8		2024/06/17		PRODUCT CUSTOMER DRAWING	
				3 PLACES ±		CHK'D: XQZHANG		2024/06/18		DOCUMENT NUMBER	
				2 PLACES ± 0.4		APPR: XQZHANG		2024/06/18		SD-76825-0100	
				1 PLACE ± 0.5		INITIAL REVISION:		2010/11/15		DOC TYPE	
				0 PLACES ±		DRWN: MKARADIMAS		2012/06/13		DOC PART	
DRAFT WHERE APPLICABLE MUST REMAIN WITHIN DIMENSIONS				THIRD ANGLE PROJECTION		DRAWING		SERIES		REVISION	
				A3-SIZE		76825		MATERIAL NUMBER		CUSTOMER	
				SEE TABLE		GENERAL MARKET		SHEET NUMBER		1 OF 4	



	10	9	8	7	6	5	4	3	2	1
F	CKT	POLARIZATION-BALCK	POLARIZATION-NATURAL	POLARIZATION-RED	POLARIZATION-RED	POLARIZATION-BLUE	POLARIZATION-BLUE	POLARIZATION-YELLOW	POLARIZATION-YELLOW	
	2 CKT									
E	4 CKT									
D	6 CKT									
C	8 CKT									
B	10 CKT									
A	12 CKT									

THIS DRAWING CONTAINS INFORMATION THAT IS PROPRIETARY TO MOLEX ELECTRONIC TECHNOLOGIES, LLC AND SHOULD NOT BE USED WITHOUT WRITTEN PERMISSION		CURRENT REV DESC:		<b>molex</b>	
DIMENSION UNITS	SCALE				
mm	NTS			MEGA-FIT RIGHT ANGLE HEADER R/A HEADER ASSY 2-12 CKT	
GENERAL TOLERANCES (UNLESS SPECIFIED)				PRODUCT CUSTOMER DRAWING	
ANGULAR TOL	± 3.0 °			DOCUMENT NUMBER	
4 PLACES	±	EC NO: 789500		SD-76825-0100	
3 PLACES	±	DRWN: JERRYW8	2024/06/17	DOC TYPE	DOC PART
2 PLACES	± 0.4	CHK'D: XQZHANG	2024/06/18	PSD	000
1 PLACE	± 0.5	APPR: XQZHANG	2024/06/18	REVISION	
0 PLACES	±	INITIAL REVISION:		F1	
DRAFT WHERE APPLICABLE MUST REMAIN WITHIN DIMENSIONS		DRWN: MKARADIMAS	2010/11/15	SHEET NUMBER	
THIRD ANGLE PROJECTION		APPR: APATEL	2012/06/13	MATERIAL NUMBER	CUSTOMER
SEE TABLE		DRAWING		GENERAL MARKET	3 OF 4
A3-SIZE		SERIES			
		76825			

10	9	8	7	6	5	4	3	2	1	
CKT SIZE	PART NO.	PLATING	DIM A	DIM B	DIM C	PK SPEC	HEADER COLOR			
2	76825-0002	TIN	8.35	N/A	9.35	TRAY	BLACK	TRAY	NATURAL	
4	76825-0004	TIN	12.05	N/A	13.05					
6	76825-0006	TIN	17.75	11.4	18.75					
8	76825-0008	TIN	23.45	17.1	24.45					
10	76825-0010	TIN	29.15	22.8	30.15					
12	76825-0012	TIN	34.85	28.5	35.85					
2	172064-0002	15 GOLD	8.35	N/A	9.35					
4	172064-0004	15 GOLD	12.05	N/A	13.05					
6	172064-0006	15 GOLD	17.75	11.4	18.75					
8	172064-0008	15 GOLD	23.45	17.1	24.45					
10	172064-0010	15 GOLD	29.15	22.8	30.15					
12	172064-0012	15 GOLD	34.85	28.5	35.85					
2	172064-1002	30 GOLD	8.35	N/A	9.35					
4	172064-1004	30 GOLD	12.05	N/A	13.05					
6	172064-1006	30 GOLD	17.75	11.4	18.75					
8	172064-1008	30 GOLD	23.45	17.1	24.45					
10	172064-1010	30 GOLD	29.15	22.8	30.15					
12	172064-1012	30 GOLD	34.85	28.5	35.85					
*	2	76825-0902	TIN	8.35	N/A	TAPE&REEL	BLACK	TRAY	YELLOW	
*	4	76825-0904	TIN	12.05	N/A					13.05
*	6	76825-0906	TIN	17.75	11.4					18.75
*	8	76825-0908	TIN	23.45	17.1					24.45
*	10	76825-0910	TIN	29.15	22.8					30.15
*	12	76825-0912	TIN	34.85	28.5					35.85
*	2	172064-0902	15 GOLD	8.35	N/A					9.35
*	4	172064-0904	15 GOLD	12.05	N/A					13.05
*	6	172064-0906	15 GOLD	17.75	11.4					18.75
*	8	172064-0908	15 GOLD	23.45	17.1					24.45
*	10	172064-0910	15 GOLD	29.15	22.8					30.15
*	12	172064-0912	15 GOLD	34.85	28.5					35.85
*	2	172064-1902	30 GOLD	8.35	N/A	9.35				
*	4	172064-1904	30 GOLD	12.05	N/A	13.05				
*	6	172064-1906	30 GOLD	17.75	11.4	18.75				
*	8	172064-1908	30 GOLD	23.45	17.1	24.45				
*	10	172064-1910	30 GOLD	29.15	22.8	30.15				
*	12	172064-1912	30 GOLD	34.85	28.5	35.85				

10	9	8	7	6	5	4	3	2	1
CKT SIZE	PART NO.	PLATING	DIM A	DIM B	DIM C	PK SPEC	HEADER COLOR		
2	172064-0202	TIN	8.35	N/A	9.35	TRAY	BLACK	TRAY	NATURAL
4	172064-0204	TIN	12.05	N/A	13.05				
6	172064-0206	TIN	17.75	11.4	18.75				
8	172064-0208	TIN	23.45	17.1	24.45				
10	172064-0210	TIN	29.15	22.8	30.15				
12	172064-0212	TIN	34.85	28.5	35.85				
2	172064-0302	TIN	8.35	N/A	9.35				
4	172064-0304	TIN	12.05	N/A	13.05				
6	172064-0306	TIN	17.75	11.4	18.75				
8	172064-0308	TIN	23.45	17.1	24.45				
10	172064-0310	TIN	29.15	22.8	30.15				
12	172064-0312	TIN	34.85	28.5	35.85				
2	172064-0402	TIN	8.35	N/A	9.35				
4	172064-0404	TIN	12.05	N/A	13.05				
6	172064-0406	TIN	17.75	11.4	18.75				
8	172064-0408	TIN	23.45	17.1	24.45				
10	172064-0410	TIN	29.15	22.8	30.15				
12	172064-0412	TIN	34.85	28.5	35.85				
2	172064-0502	TIN	8.35	N/A	9.35				
4	172064-0504	TIN	12.05	N/A	13.05				
6	172064-0506	TIN	17.75	11.4	18.75				
8	172064-0508	TIN	23.45	17.1	24.45				
10	172064-0510	TIN	29.15	22.8	30.15				
12	172064-0512	TIN	34.85	28.5	35.85				



\* DESIGNATES PART NOT RELEASED CONTACT FACTORY FOR AVAILABILITY.

THIS DRAWING CONTAINS INFORMATION THAT IS PROPRIETARY TO MOLEX ELECTRONIC TECHNOLOGIES, LLC AND SHOULD NOT BE USED WITHOUT WRITTEN PERMISSION									
DIMENSION UNITS	SCALE	CURRENT REV DESC:							
mm	NTS	 MEGA-FIT RIGHT ANGLE HEADER R/A HEADER ASSY 2-12 CKT PRODUCT CUSTOMER DRAWING							
GENERAL TOLERANCES (UNLESS SPECIFIED)									
ANGULAR TOL	± 3.0 °								
4 PLACES	±								
3 PLACES	±								
2 PLACES	± 0.4	EC NO: 789500	2024/06/17		DOCUMENT NUMBER				
1 PLACE	± 0.5	DRWN: JERRYW8	2024/06/18		SD-76825-0100		DOC TYPE	DOC PART	REVISION
0 PLACES	±	CHK'D: XQZHANG	2024/06/18		SEE TABLE		PSD	000	F1
DRAFT WHERE APPLICABLE MUST REMAIN WITHIN DIMENSIONS		THIRD ANGLE PROJECTION	DRAWING	SERIES	MATERIAL NUMBER	CUSTOMER	SHEET NUMBER		
			A3-SIZE	76825	SEE TABLE	GENERAL MARKET	4 OF 4		

DOCUMENT STATUS	RELEASE DATE
-----------------	--------------