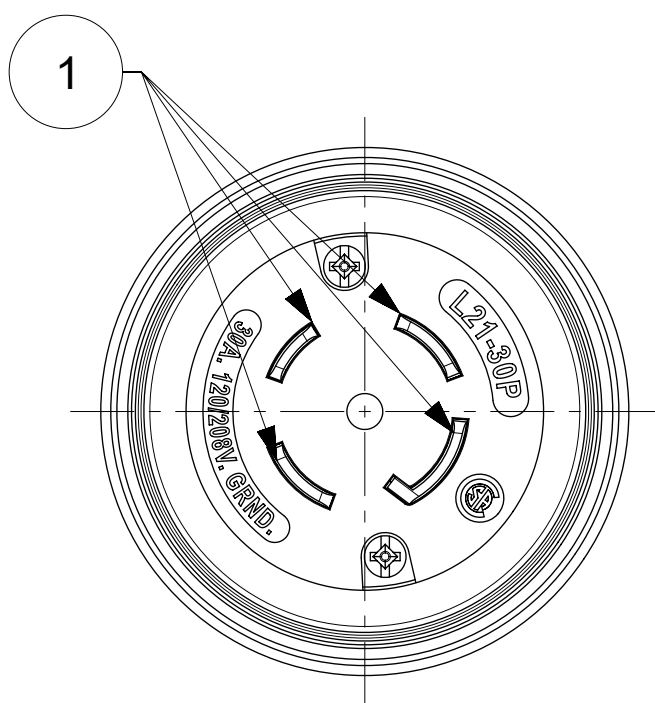
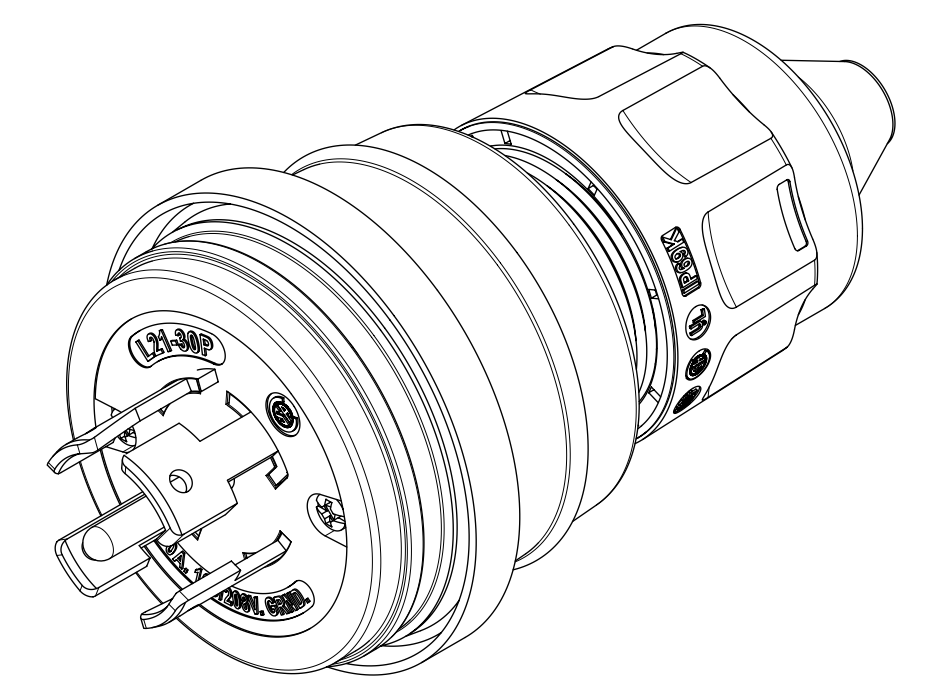
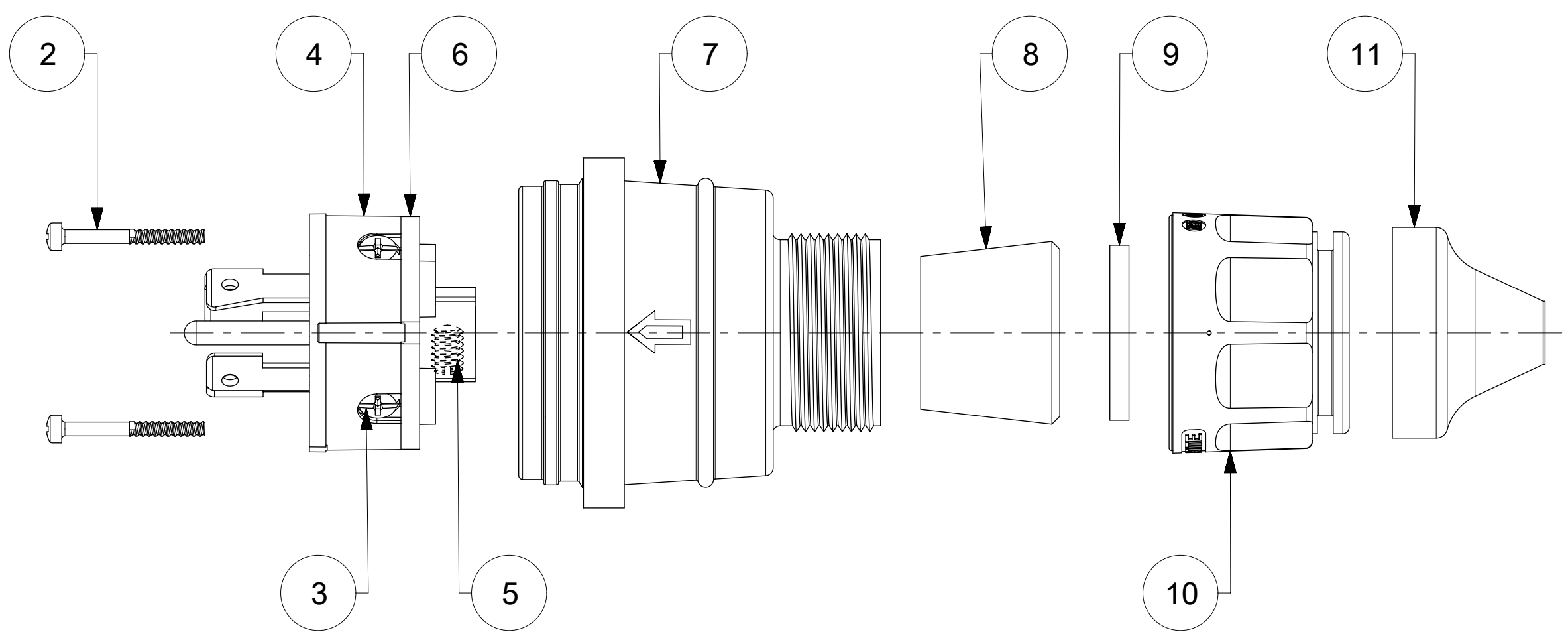
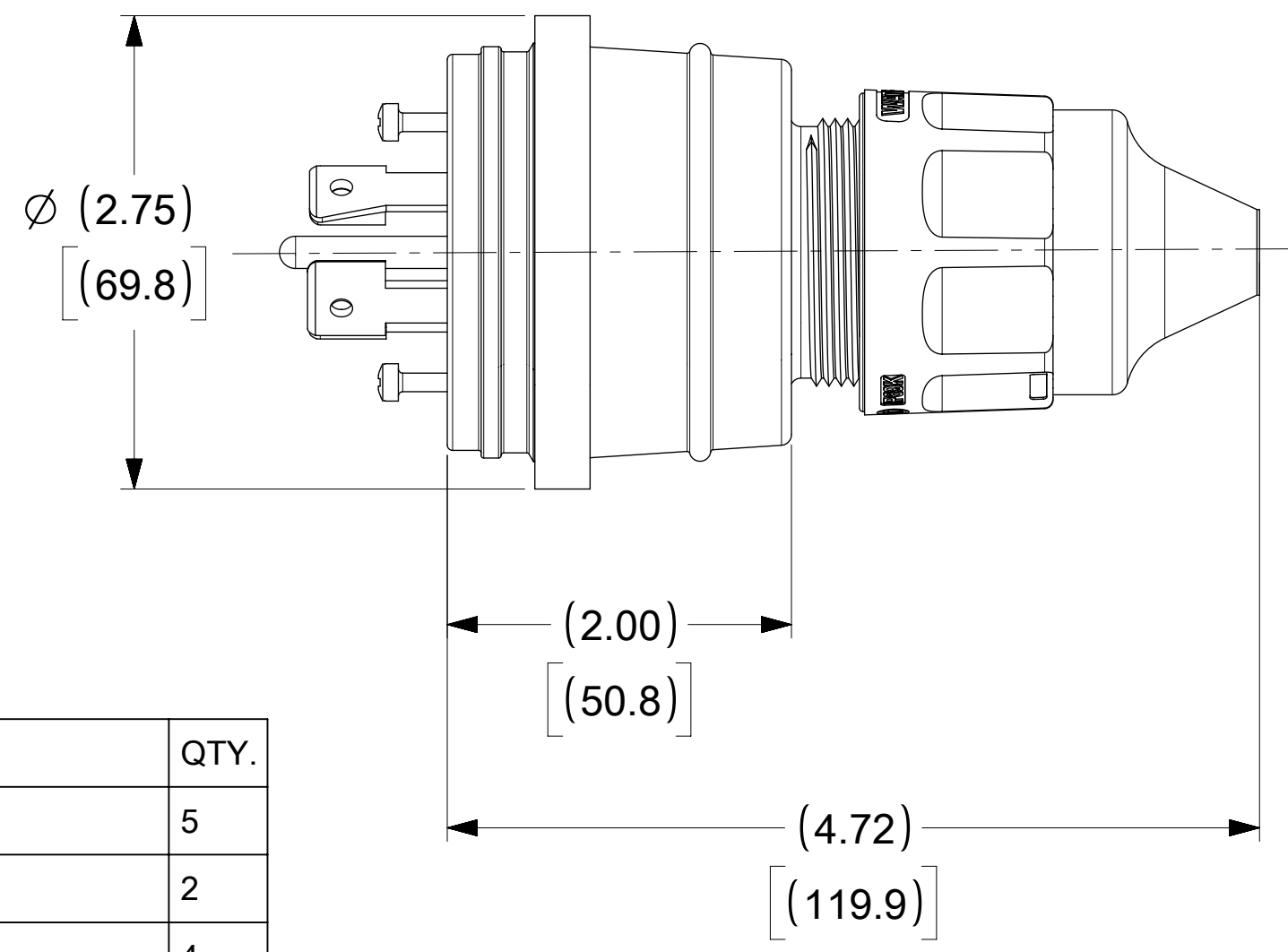


ORDER NO.	WOODHEAD NO.	COLOR
130147-0085	28W81	YELLOW



FACE VIEW



NOTE:
1. "ACCEPT CABLE RANGE FROM .562" TO 1.00"

ITEM NO.	DESCRIPTIONS	MATERIAL	QTY.
1	BLADE	BRASS, NICKEL PLATED	5
2	RETAINING SCREWS	STAINLESS STEEL	2
3	CLAMP AND TERMINAL SCREW ASSY	BRASS, ZINC PLATED	4
4	INSERT	NYLON	1
5	SET SCREWS	STAINLESS STEEL	1
6	TERMINAL COVER	POLYCARBONATE	1
7	HOUSING	SILICONE WITH NYLON THREAD	1
8	GROMMET	RUBBER	2
9	FRICTION RING	NYLON	1
10	COMPRESSION NUT	NYLON	1
11	CABLE GLOVE	SILICONE	1

SYMBOLS DIMENSION UNITS: INCH[MM] SCALE: NTS GENERAL TOLERANCES (UNLESS SPECIFIED): 4 PLACES ± .005 3 PLACES ± .004 2 PLACES ± .003 1 PLACE ± .002 0 PLACES ± .001 ANGULAR TOL ± ° DRAFT WHERE APPLICABLE MUST REMAIN WITHIN DIMENSIONS		THIS DRAWING CONTAINS INFORMATION THAT IS PROPRIETARY TO MOLEX ELECTRONIC TECHNOLOGIES, LLC AND SHOULD NOT BE USED WITHOUT WRITTEN PERMISSION. CURRENT REV DESC: EC NO: 617301 DRWN: SRPATIL 2019/02/13 CHK'D: DNGUYEN62 2019/05/16 APPR: HKNEELAND 2019/10/16 INITIAL REVISION: DRWN: SRPATIL 2019/02/13 APPR: HKNEELAND 2019/10/16 THIRD ANGLE PROJECTION		molex WATERTITE PLUG 4P5W L21-30 PRODUCT CUSTOMER DRAWING DOCUMENT NUMBER: 1301470085 DOC TYPE: PSD DOC PART: 000 REVISION: A MATERIAL NUMBER: SEE TABLE CUSTOMER: GENERAL MARKET SHEET NUMBER: 1 OF 1	
---	--	--	--	--	--